

US00D634646S

(12) **United States Design Patent**
Belko et al.

(10) **Patent No.:** **US D634,646 S**
(45) **Date of Patent:** **** Mar. 22, 2011**

(54) **CONTAINER WITH ZIPPER CLOSURE**

(75) Inventors: **Stephen P. Belko**, Blackwood, NJ (US);
Neil J. Kozarsky, Mount Laurel, NJ
(US); **Eliot M. Kozarsky**, Moorestown,
NJ (US); **John a. Carporaso**,
Moorestown, NJ (US)

(73) Assignee: **Zipbox License, LLC**, Marlton, NJ (US)

(**) Term: **14 Years**

(21) Appl. No.: **29/368,535**

(22) Filed: **Aug. 25, 2010**

(51) **LOC (9) Cl.** **09-05**

(52) **U.S. Cl.** **D9/709**

(58) **Field of Classification Search** D9/702-703,
D9/705, 707, 709, 713, 430-432, 434-435,
D9/415, 499; D24/118, 121; 426/106; 383/61.1,
383/42, 119, 108, 127, 63; 229/105, 200;
220/666, 495.03; 211/85.11; 206/811, 484,
206/271, 223; 428/34.1; 24/585.12, 30.5 R,
24/30.5 L, 585; 53/134.1, 456, 459, 133.4
See application file for complete search history.

(56) **References Cited**

U.S. PATENT DOCUMENTS

5,788,378 A * 8/1998 Thomas 383/63
D597,853 S * 8/2009 Kerr et al. D9/705
D597,854 S * 8/2009 Berman D9/707

D607,343 S * 1/2010 Poirier D9/707
D608,656 S * 1/2010 Wilkes et al. D9/434
D623,536 S * 9/2010 Bohmke D9/707

* cited by examiner

Primary Examiner — Caron Veynar

Assistant Examiner — Abraham Bahta

(74) *Attorney, Agent, or Firm* — Michael B. Fein; Cozen
O'Connor

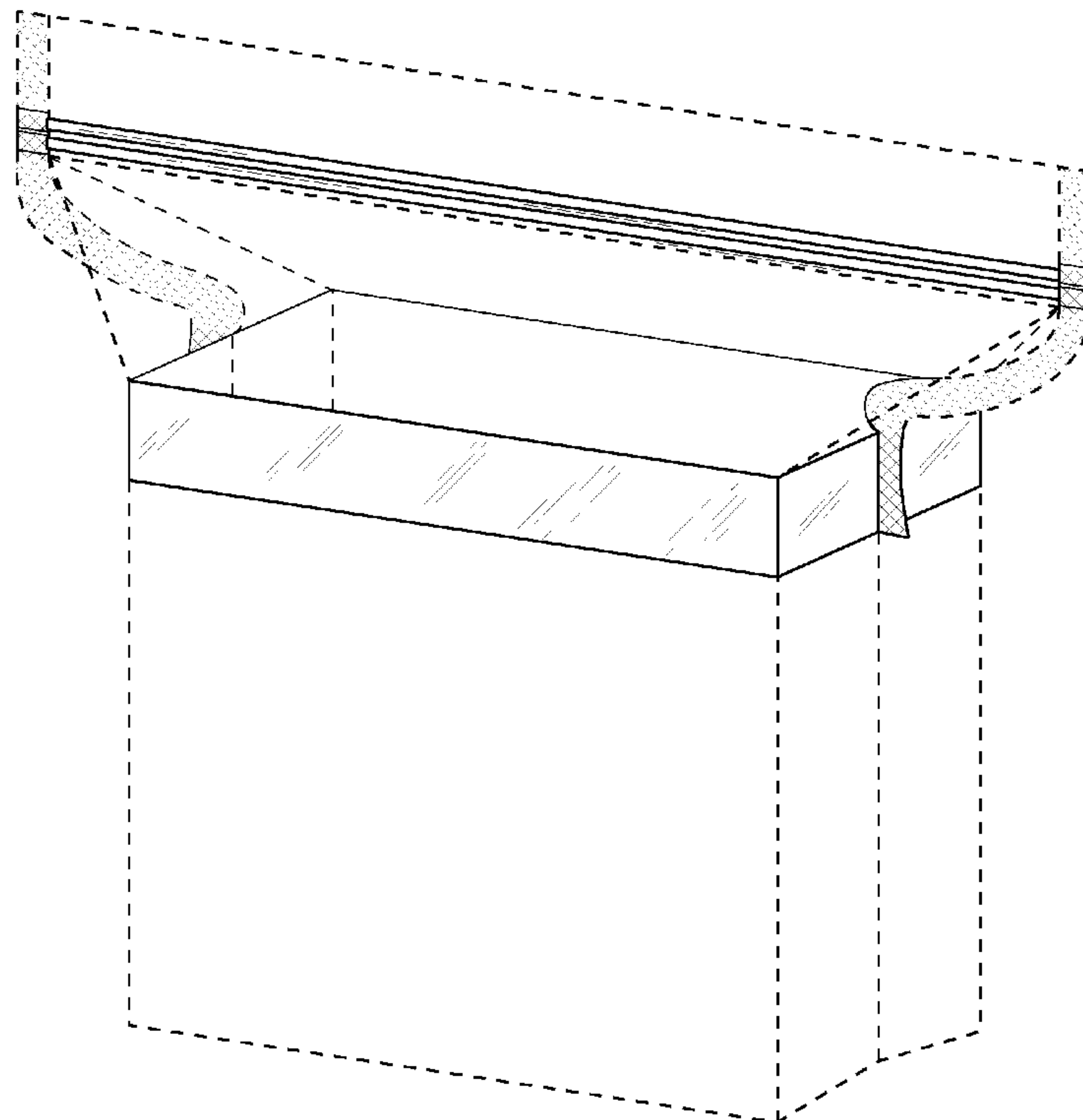
(57) **CLAIM**

The ornamental design for a container with zipper closure, as
shown and described.

DESCRIPTION

FIG. 1 is a front perspective view of a container with zipper
closure showing our new design;
FIG. 2 is a perspective view thereof;
FIG. 3 is a front elevational view thereof;
FIG. 4 is a top elevational view thereof;
FIG. 5 is a bottom elevational view thereof;
FIG. 6 is a left side elevational view thereof; and
FIG. 7 is a right side elevational view thereof;
FIG. 8 is a front perspective view of the container with zipper
closure of FIG. 1 with the sides in a different position;
FIG. 9 is a perspective view thereof;
FIG. 10 is a front elevational view thereof;
FIG. 11 is a top elevational view thereof;
FIG. 12 is a bottom elevational view thereof;
FIG. 13 is a left side elevational view thereof; and,
FIG. 14 is a right side elevational view thereof.

1 Claim, 10 Drawing Sheets



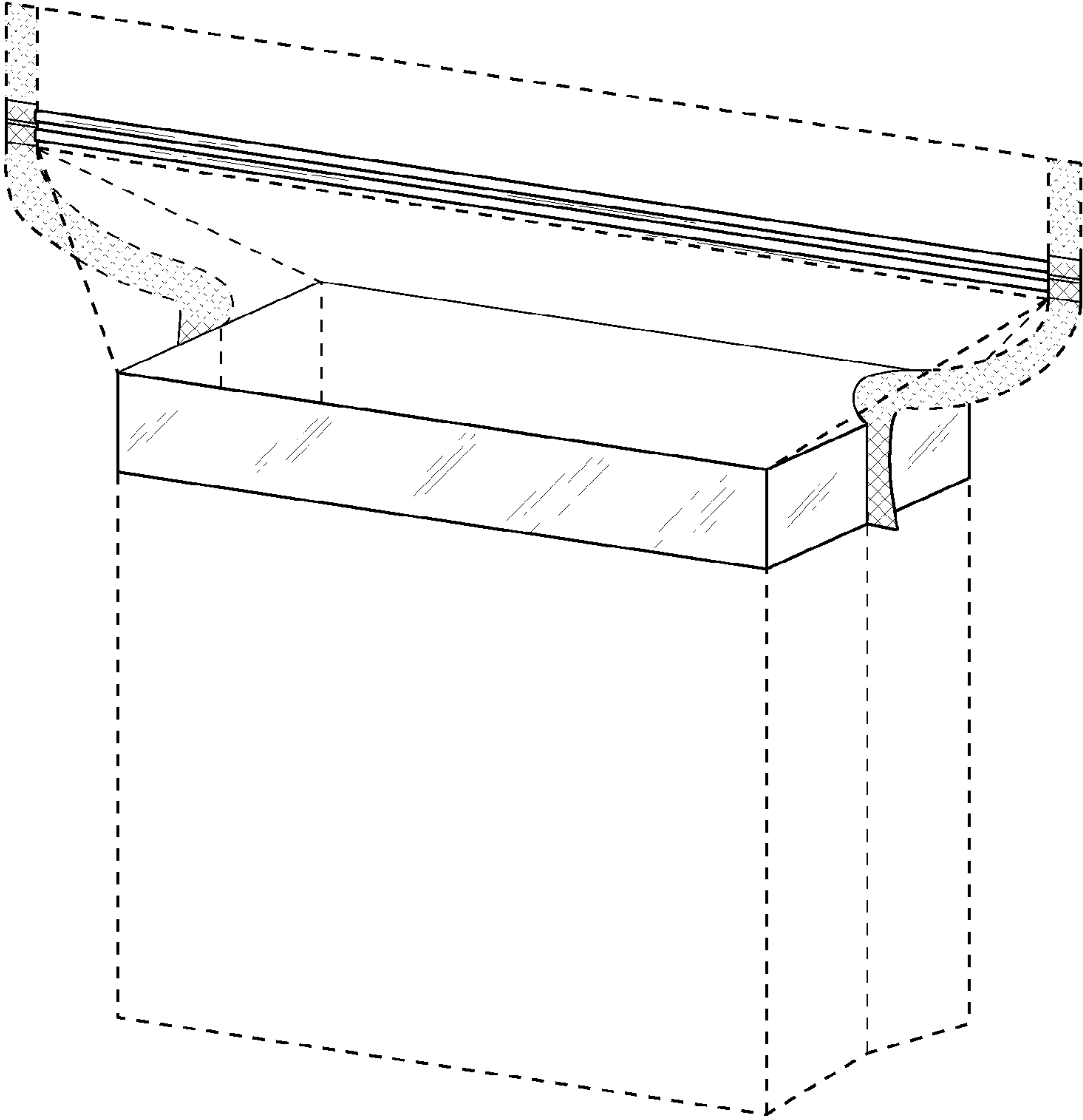


FIG. 1

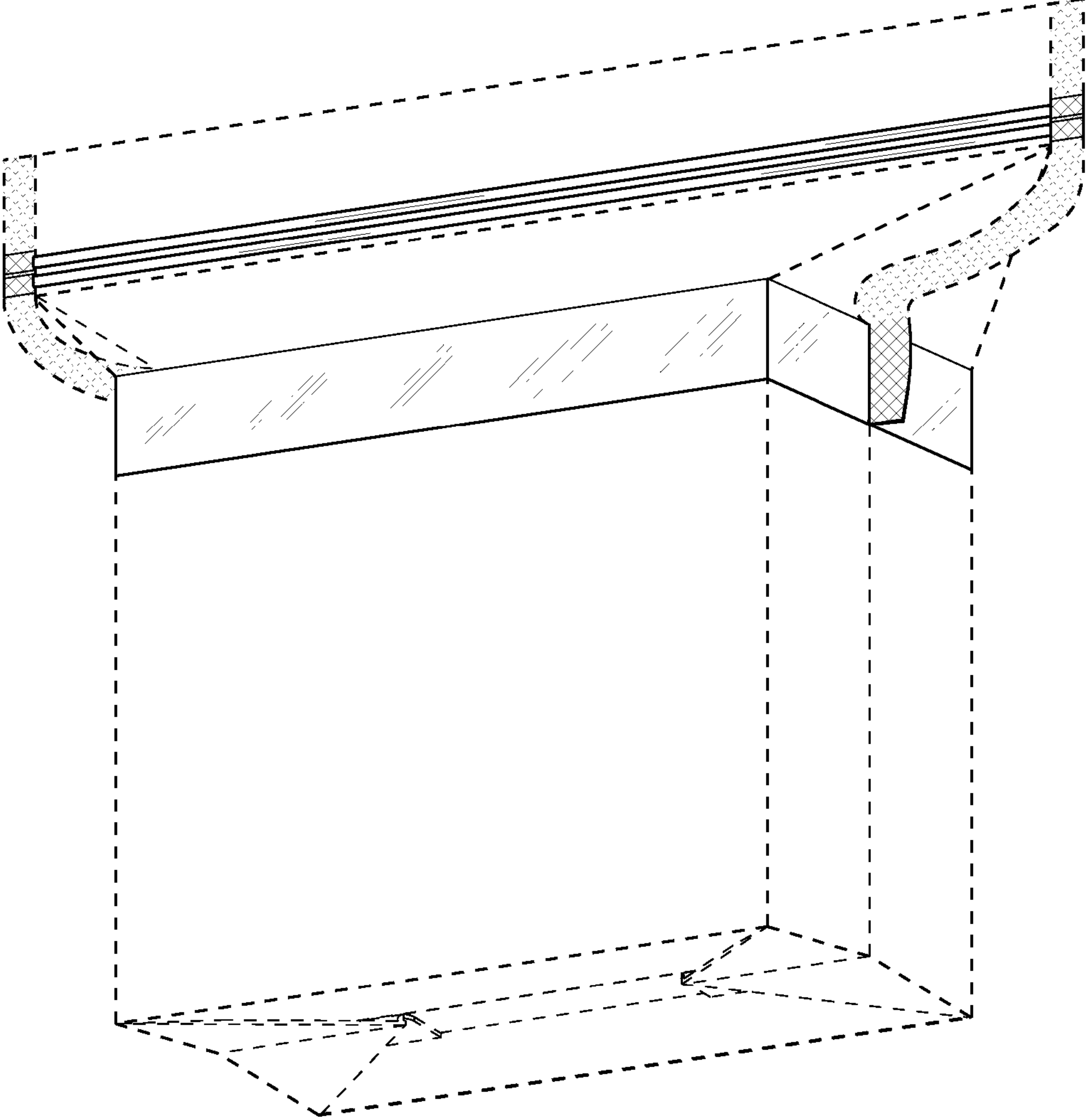


FIG.2

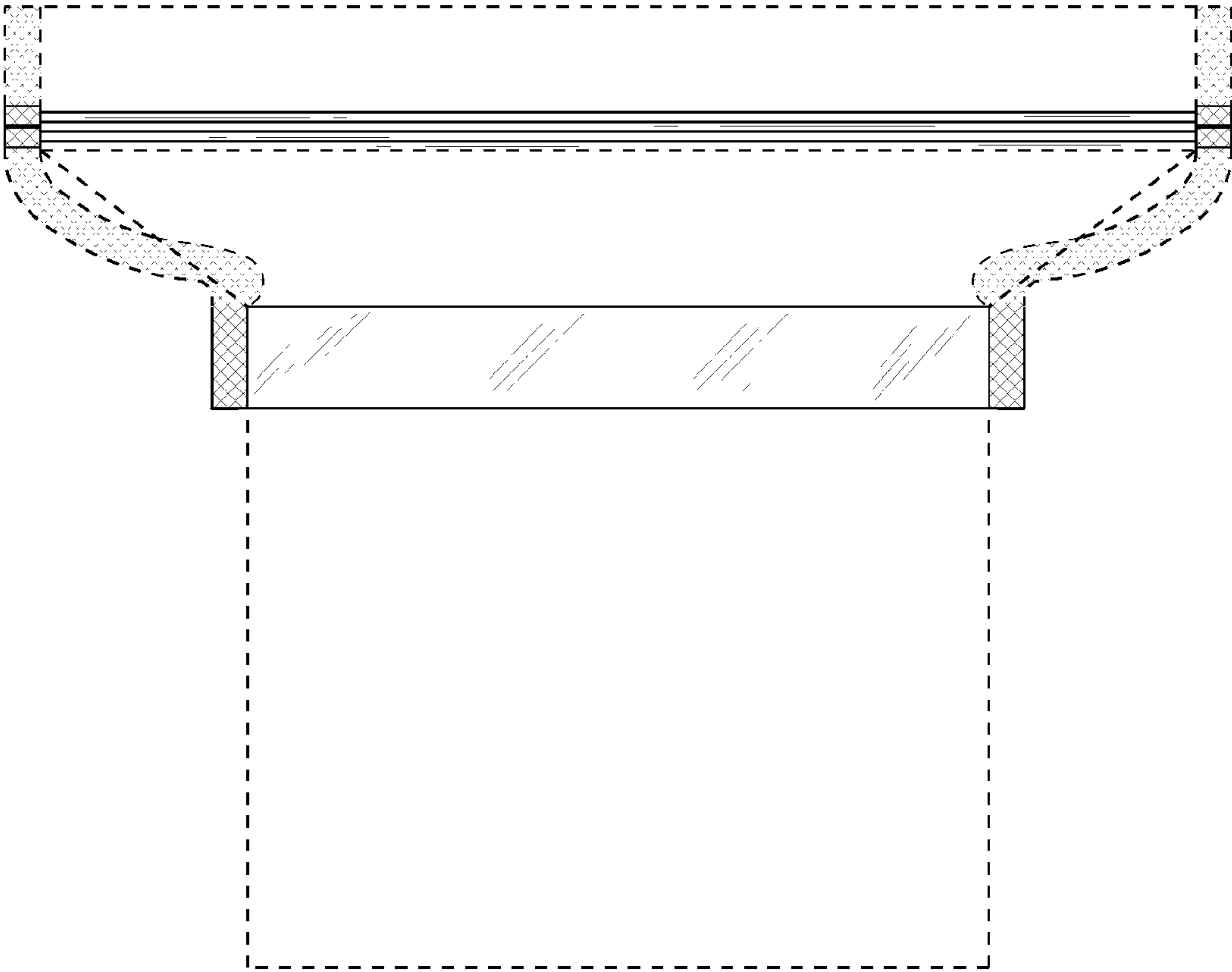


FIG.3

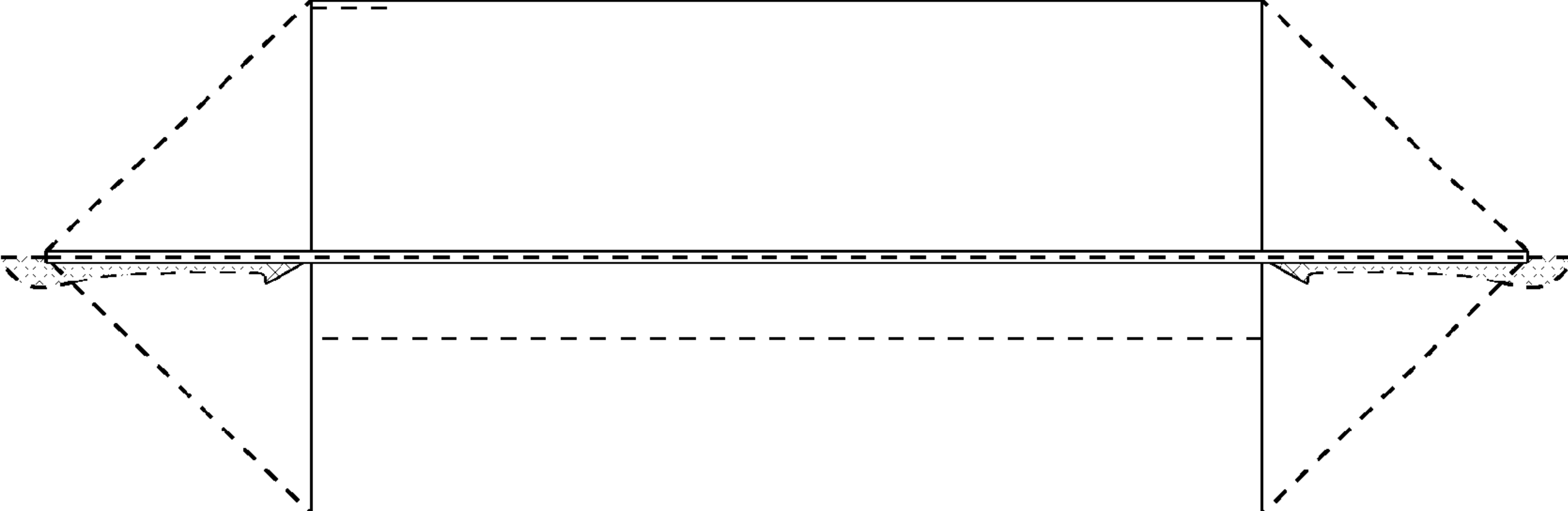


FIG.4

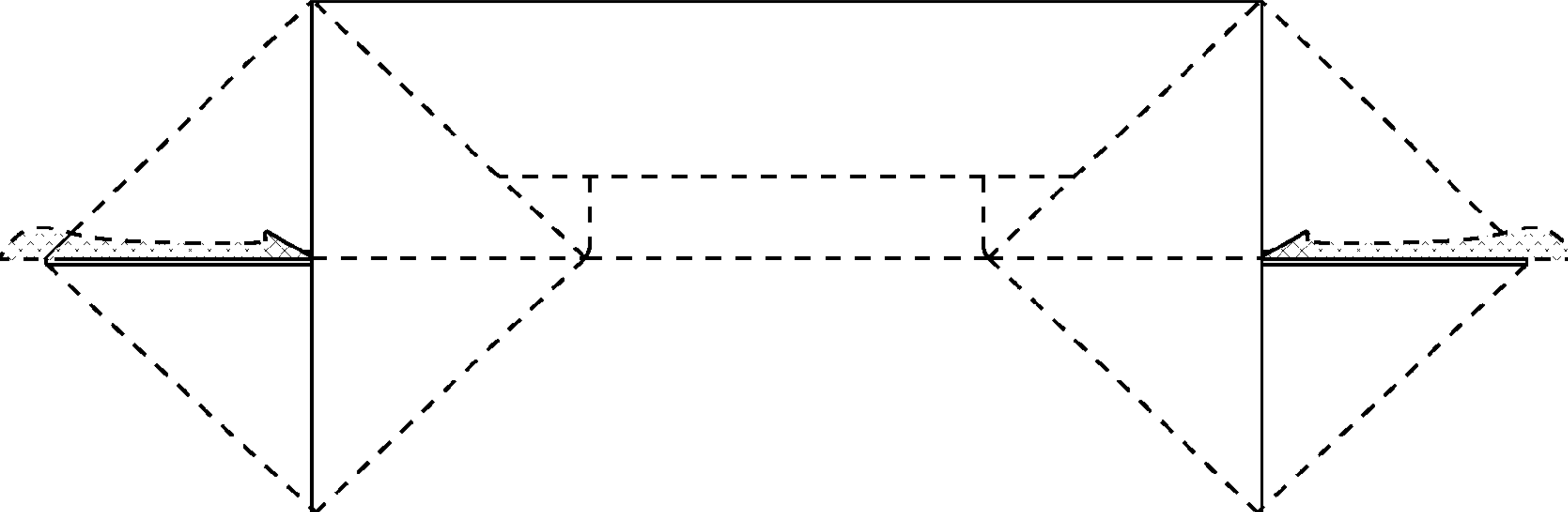


FIG.5

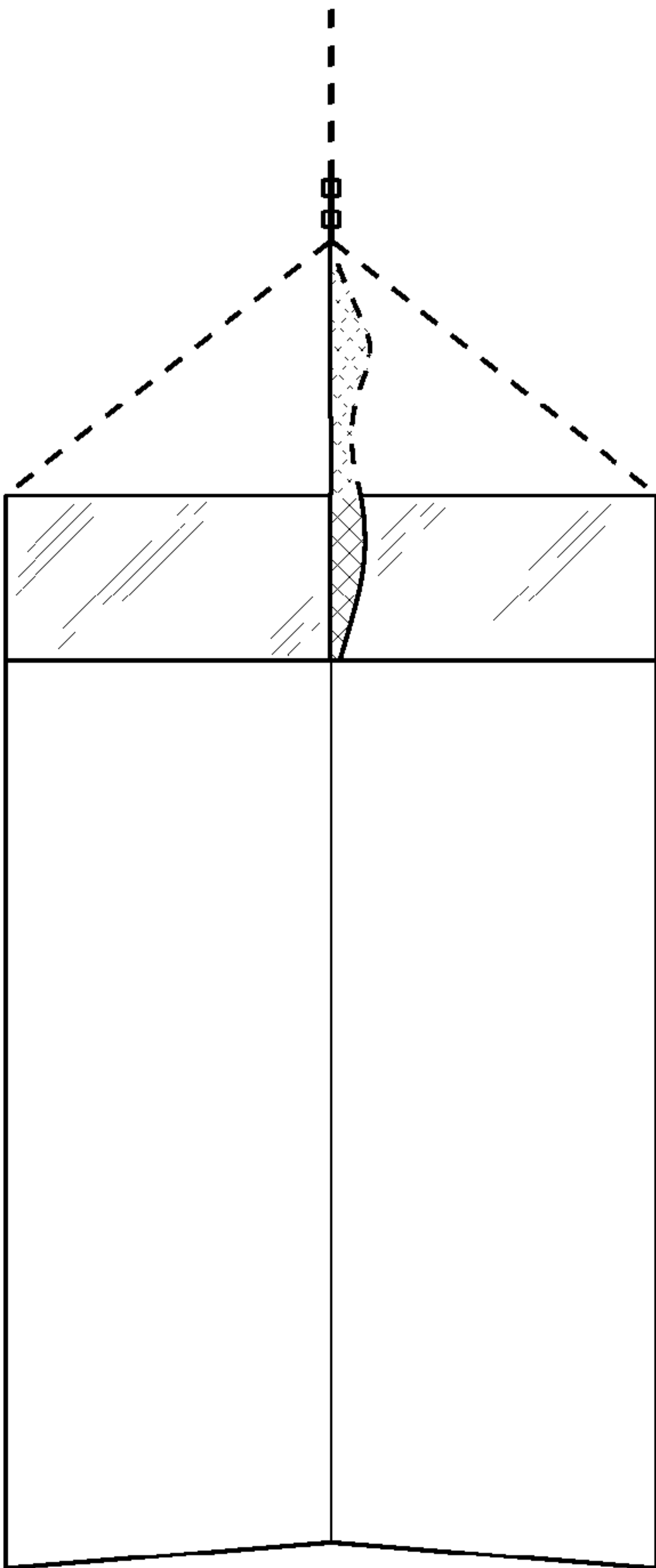


FIG. 6

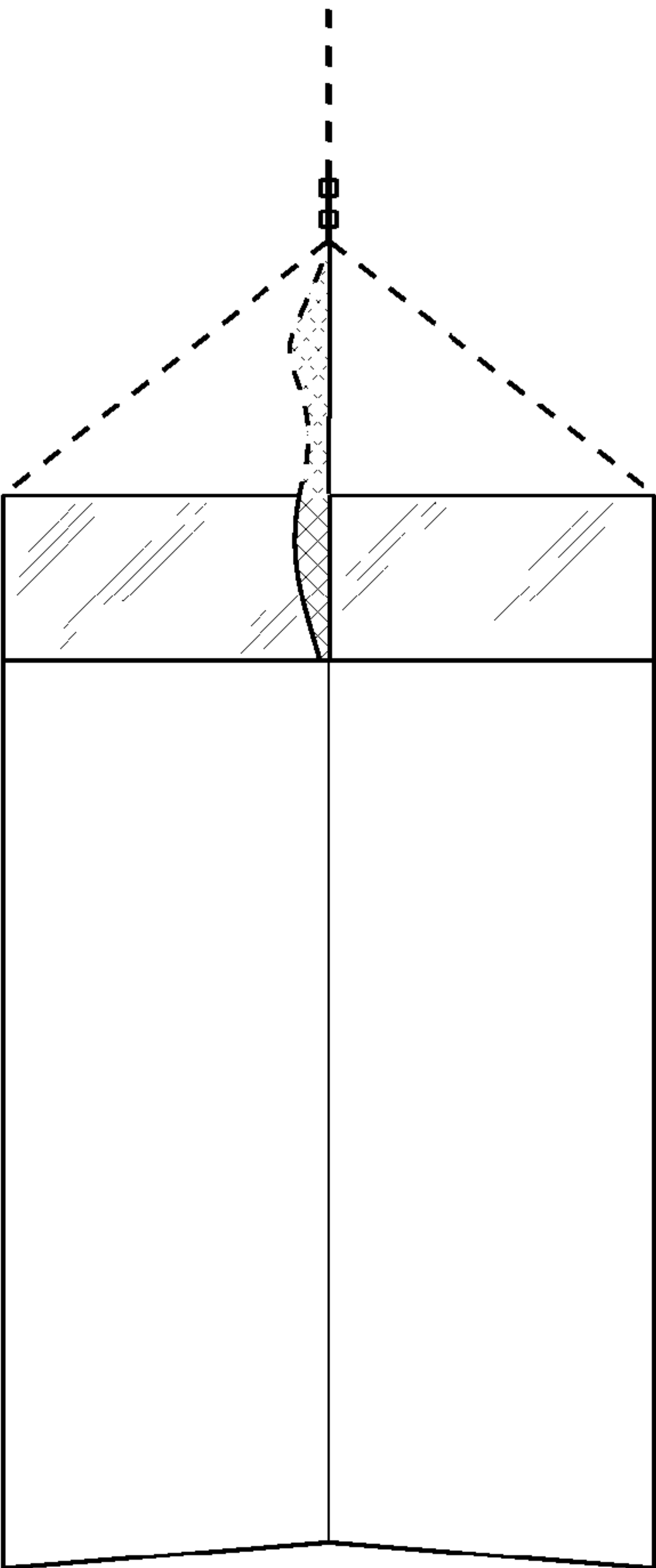


FIG. 7

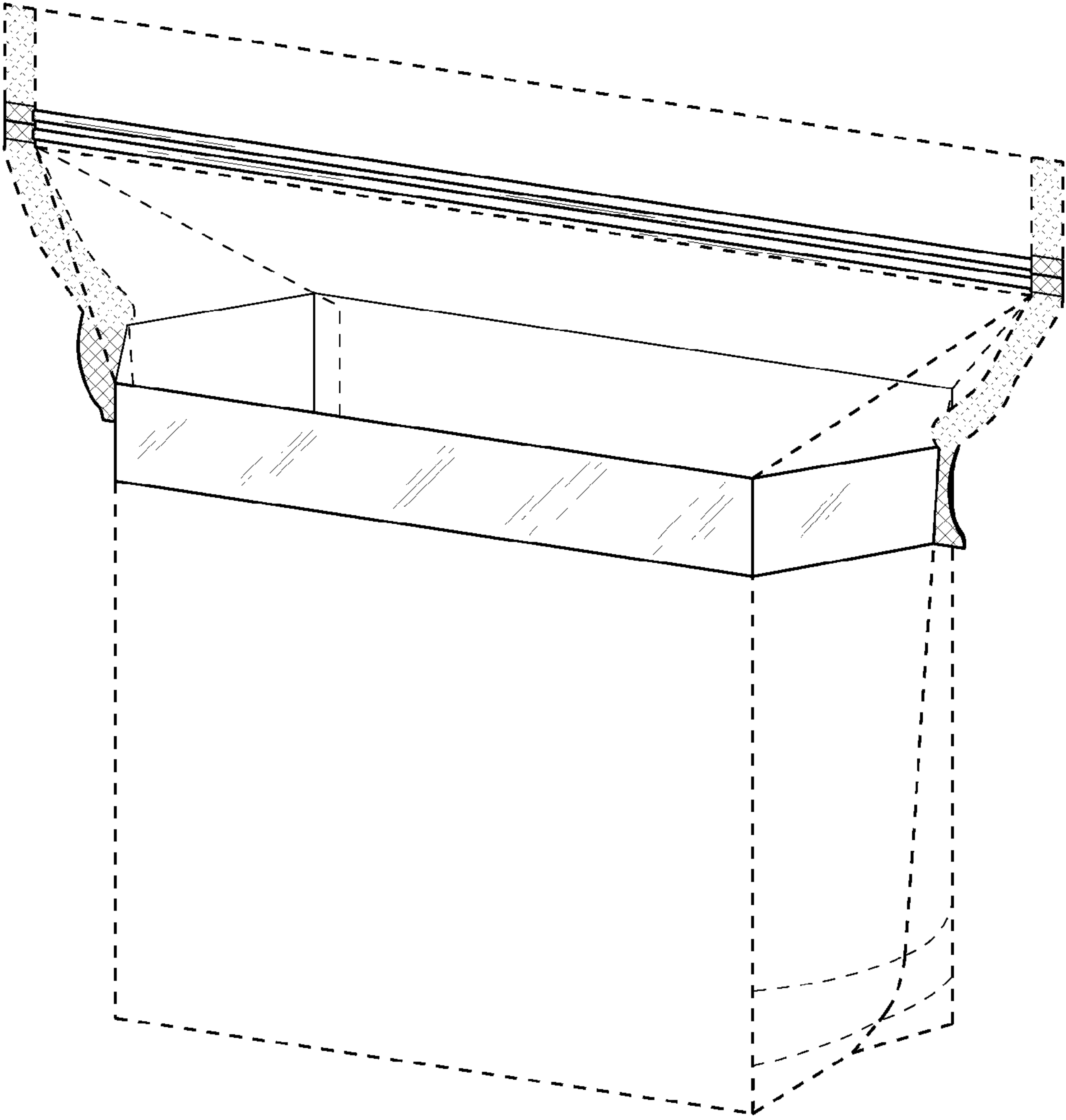


FIG. 8

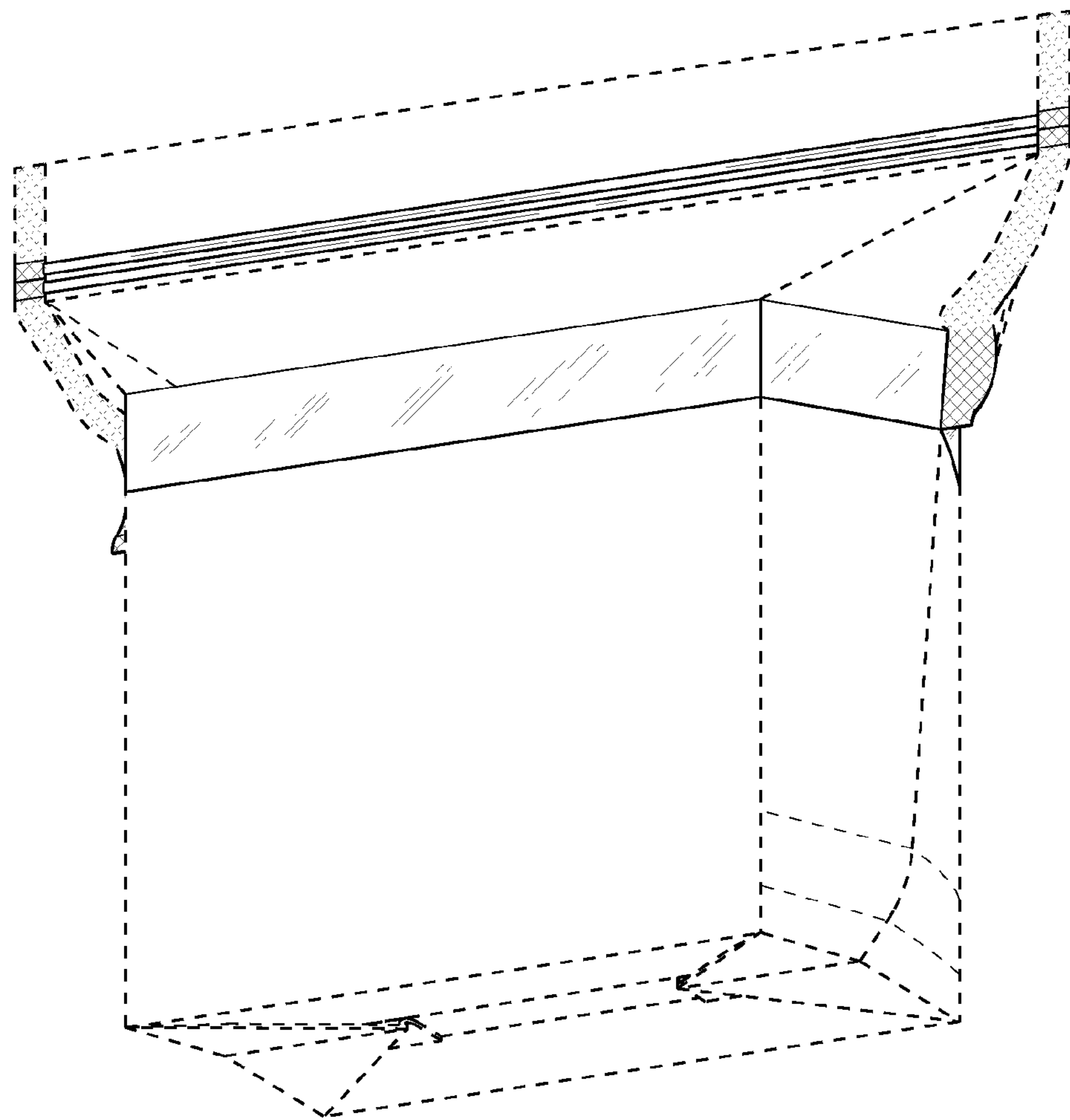


FIG. 9

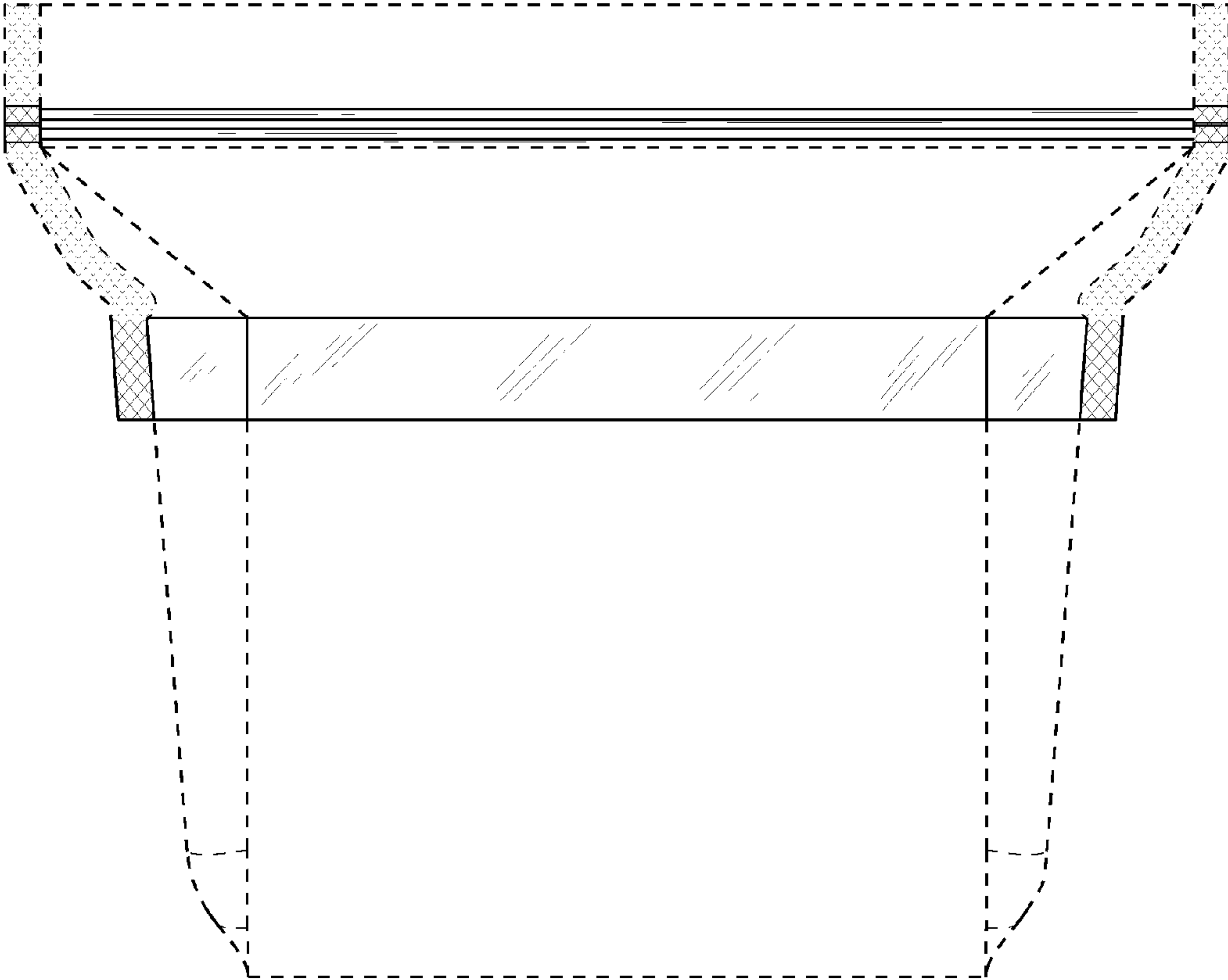


FIG. 10

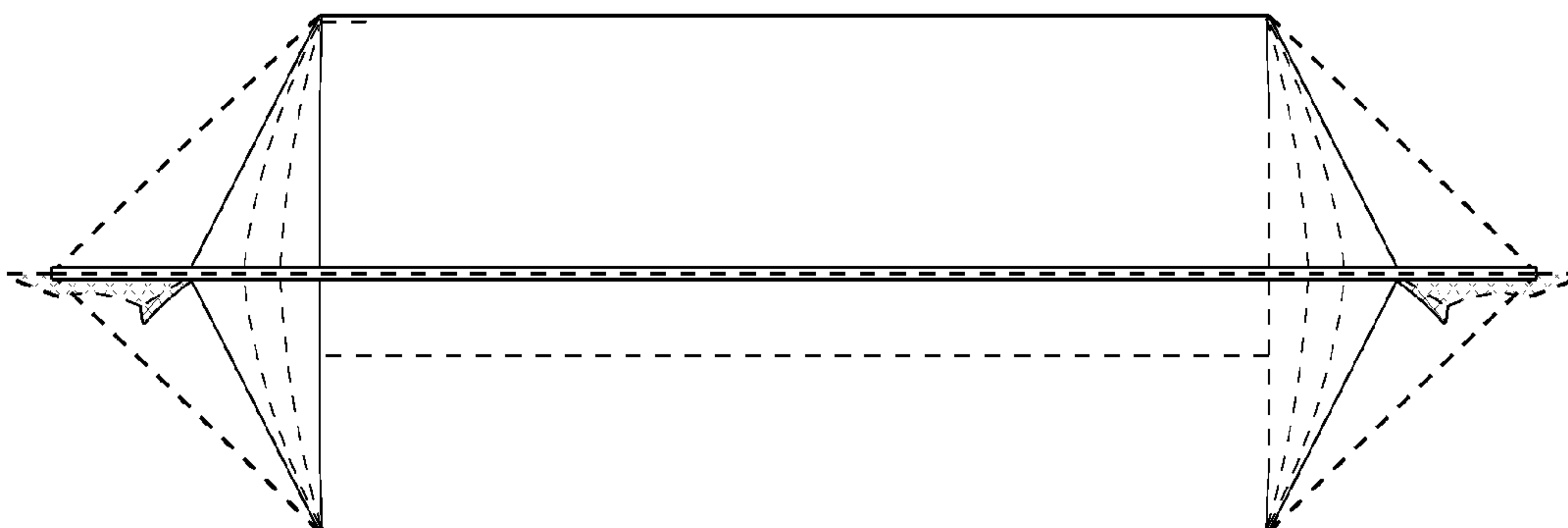


FIG. 11

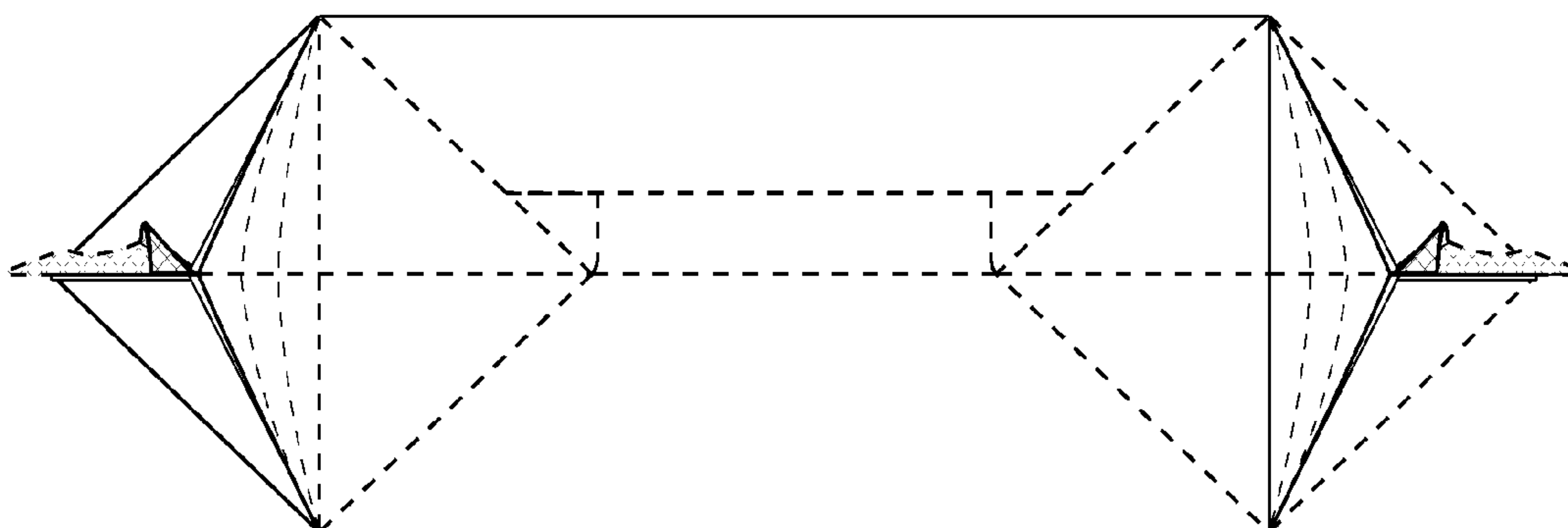


FIG. 12

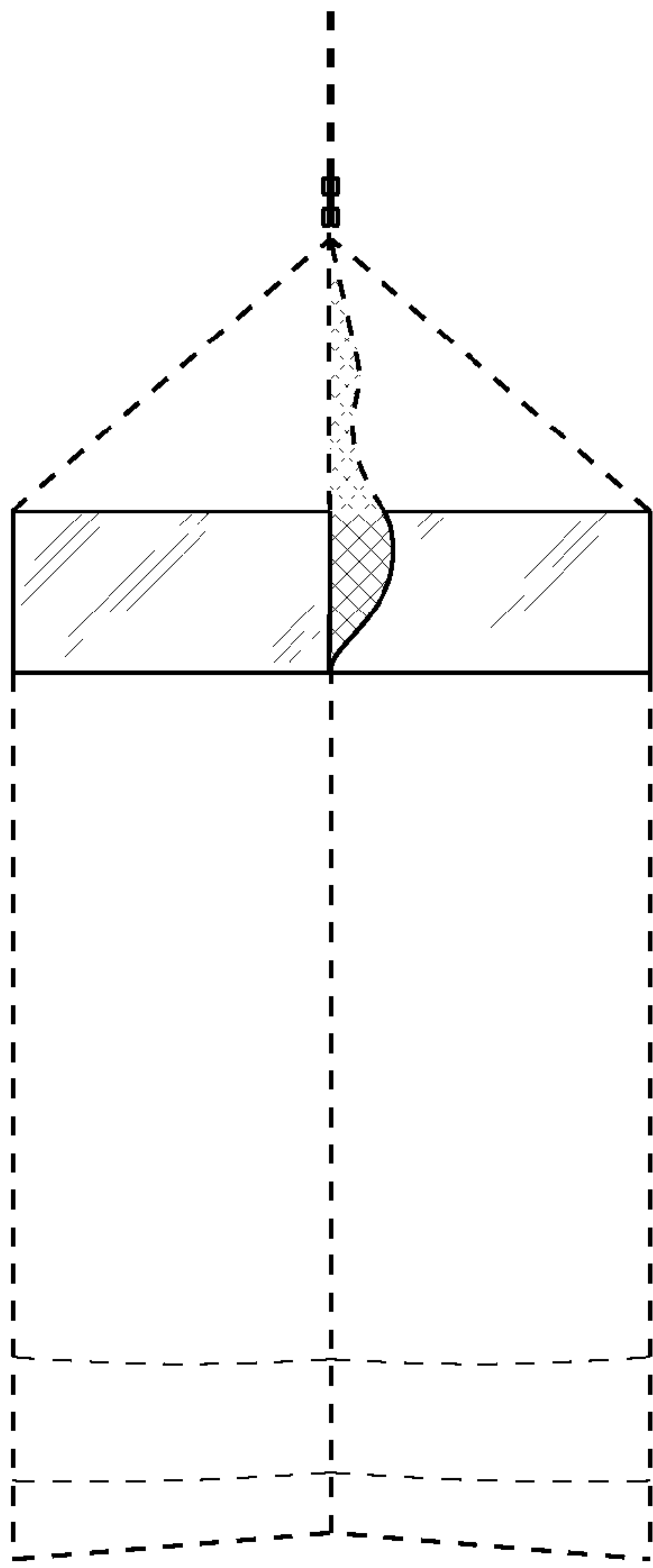


FIG. 13

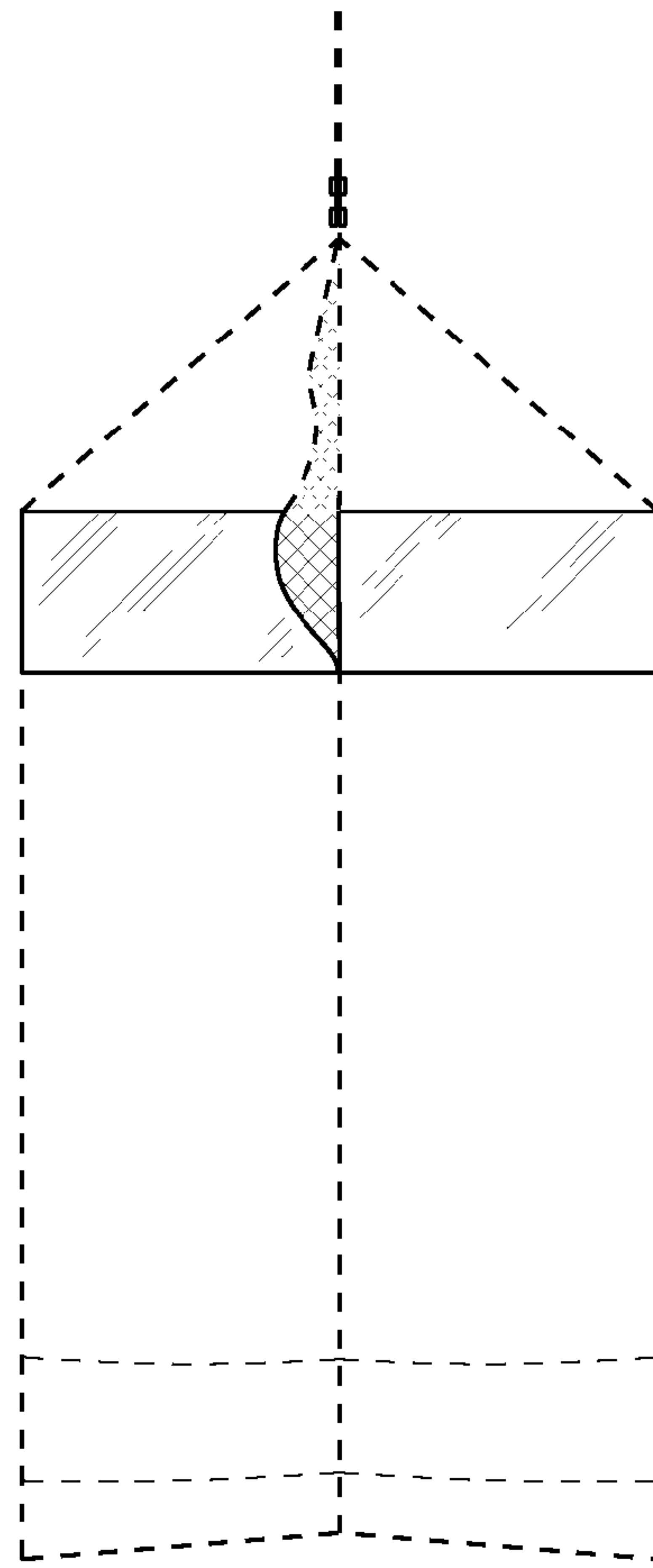


FIG. 14