



US00D634643S

(12) **United States Design Patent**
Caldwell et al.

(10) **Patent No.:** **US D634,643 S**
(45) **Date of Patent:** **** Mar. 22, 2011**

(54) **CONDIMENT PACKAGE**

(75) Inventors: **Craig S. Caldwell**, Slippery Rock, PA (US); **John Marshall**, Pittsburgh, PA (US); **William F. Rasile**, Allison Park, PA (US)

(73) Assignee: **H.J. Heinz Company**, Pittsburgh, PA (US)

(**) Term: **14 Years**

(21) Appl. No.: **29/360,312**

(22) Filed: **Apr. 23, 2010**

(51) **LOC (9) Cl.** **09-05**

(52) **U.S. Cl.** **D9/707**

(58) **Field of Classification Search** D9/707,
D9/702-703, 761, 731, 414, 418, 710, 430-432;
D7/590, 600.1; 215/328; 222/92, 105, 215,
222/145.1, 95, 183; 383/9, 22, 59-60, 901;
D24/118, 207; 128/114.1, DIG. 24
See application file for complete search history.

(56) **References Cited**

U.S. PATENT DOCUMENTS

2,705,579 A 4/1955 Mason
(Continued)

FOREIGN PATENT DOCUMENTS

FR 2 801 570 A1 6/2001
(Continued)

Primary Examiner — Caron Veynar
Assistant Examiner — Abraham Bahta

(74) *Attorney, Agent, or Firm* — Buchanan Ingersoll & Rooney PC

(57) **CLAIM**

The ornamental design for a condiment package, as shown and described.

DESCRIPTION

FIG. 1 is a top rear perspective view of a condiment package showing a first embodiment of our new design.

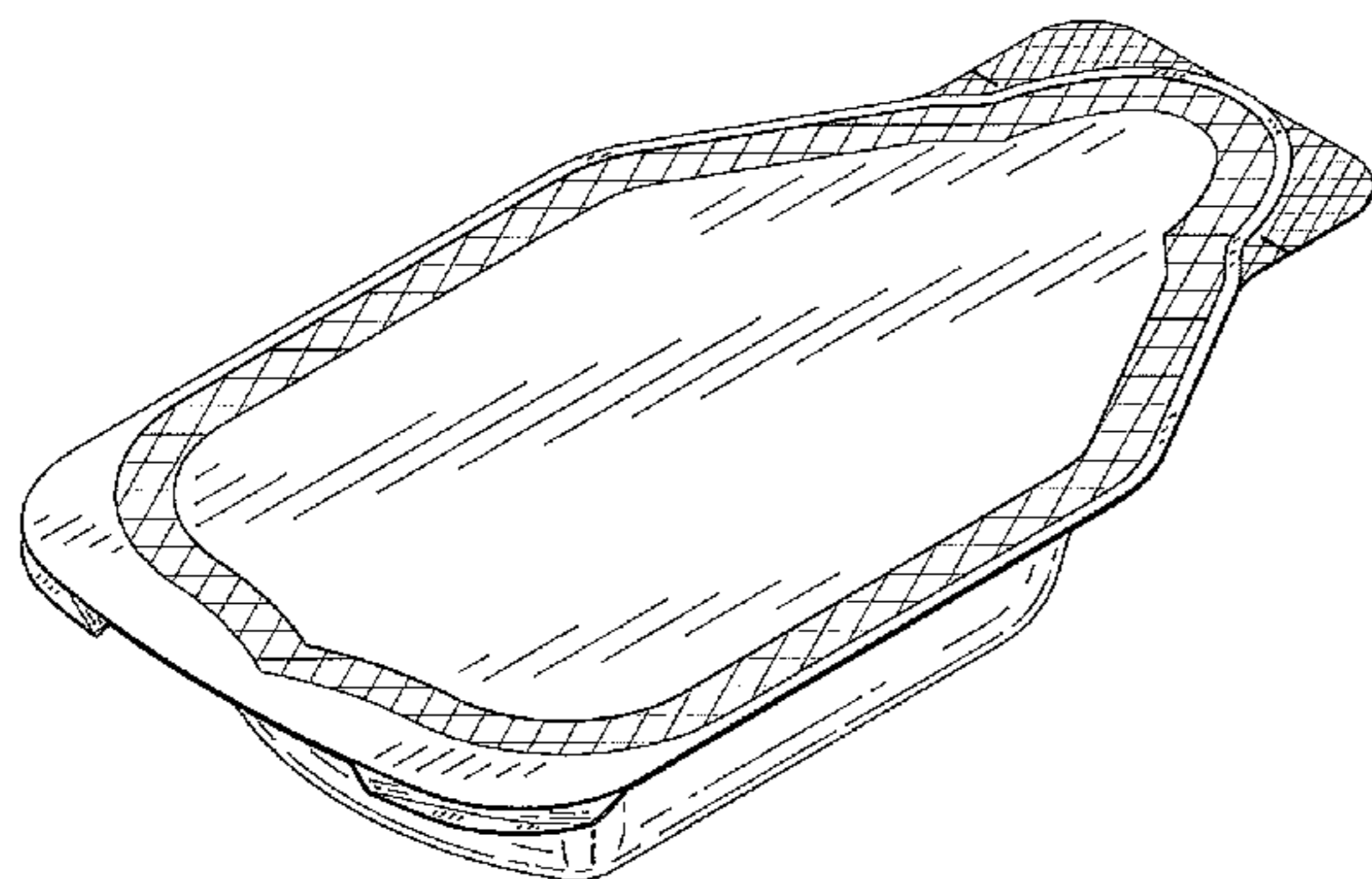
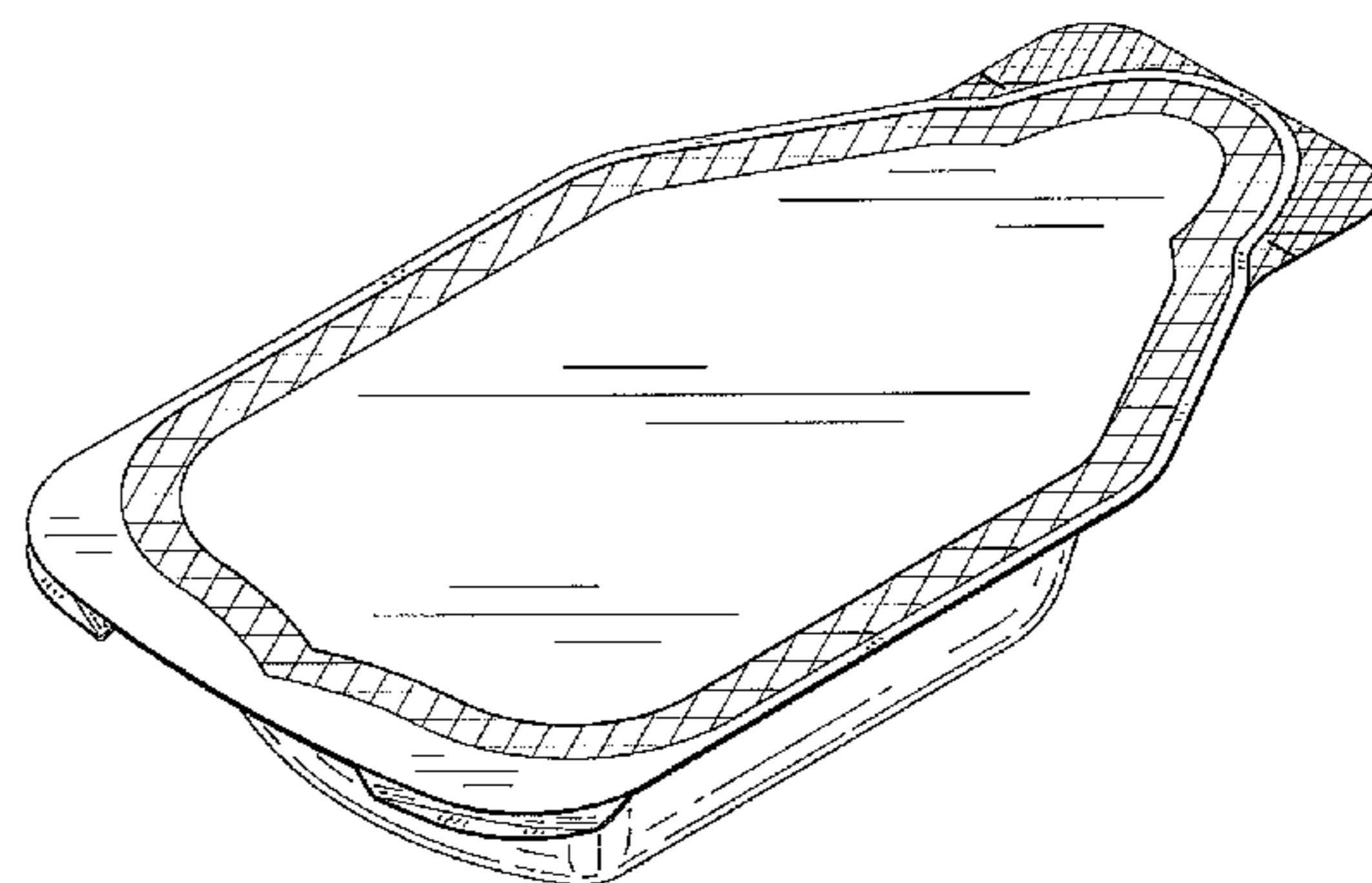


FIG. 2 is a bottom rear perspective view thereof.
FIG. 3 is a top front perspective view thereof.
FIG. 4 is a bottom front perspective view thereof.
FIG. 5 is a top plan view thereof.
FIG. 6 is a bottom plan view thereof.
FIG. 7 is a side elevational view thereof, the other side being a mirror image.
FIG. 8 is a front elevational view thereof.
FIG. 9 is a rear elevational view thereof.
FIG. 10 is a top rear perspective view of a condiment package showing a second embodiment of our new design.
FIG. 11 is a bottom rear perspective view thereof.
FIG. 12 is a top front perspective view thereof.
FIG. 13 is a bottom front perspective view thereof.
FIG. 14 is a top plan view thereof.
FIG. 15 is a bottom plan view thereof.
FIG. 16 is a side elevational view thereof, the other side being a mirror image.
FIG. 17 is a front elevational view thereof.
FIG. 18 is a rear elevational view thereof.
FIG. 19 is a top rear perspective view of a condiment package showing a third embodiment of our new design.
FIG. 20 is a bottom rear perspective view thereof.
FIG. 21 is a top front perspective view thereof.
FIG. 22 is a bottom front perspective view thereof.
FIG. 23 is a top plan view thereof.
FIG. 24 is a bottom plan view thereof.
FIG. 25 is a side elevational view thereof, the other side being a mirror image.
FIG. 26 is a front elevational view thereof.
FIG. 27 is a rear elevational view thereof.
FIG. 28 is a top rear perspective view of a condiment package showing a fourth embodiment of our new design.
FIG. 29 is a bottom rear perspective view thereof.
FIG. 30 is a top front perspective view thereof.
FIG. 31 is a bottom front perspective view thereof.
FIG. 32 is a top plan view thereof.
FIG. 33 is a bottom plan view thereof.
FIG. 34 is a side elevational view thereof, the other side being a mirror image.
FIG. 35 is a front elevational view thereof; and,
FIG. 36 is a rear elevational view thereof.
The broken line showing of a graphic image on the bottom of the condiment package is for illustrational purposes only and forms no part of the claimed design.

1 Claim, 16 Drawing Sheets



US D634,643 S

U.S. PATENT DOCUMENTS

2,898,003	A	8/1959	Wilson et al.
3,315,801	A	4/1967	Lowry
3,370,757	A	2/1968	Foster
3,407,969	A	10/1968	Klein et al.
3,453,661	A	7/1969	Repko
3,660,960	A	5/1972	Inman
3,722,754	A	3/1973	Struble
3,873,735	A	3/1975	Challin et al.
4,090,660	A	5/1978	Schram et al.
4,301,926	A	11/1981	Chung
4,463,869	A	8/1984	Lewis
4,566,613	A	1/1986	Anscomb
4,648,506	A	3/1987	Campbell
4,673,085	A	6/1987	Badouard et al.
4,717,046	A	1/1988	Brogli
4,762,124	A	8/1988	Kerch et al.
4,765,463	A	8/1988	Chanel
4,863,036	A	9/1989	Heijenga
4,871,091	A	10/1989	Preziosi
4,872,597	A	10/1989	Hanafusa
4,921,137	A	5/1990	Heijenga
4,963,045	A	10/1990	Willcox
4,989,419	A	2/1991	Brando et al.
D317,690	S	6/1991	Thomsen
D318,795	S	8/1991	Christine
5,038,974	A	8/1991	DaCosta
5,111,932	A	5/1992	Campbell
5,141,136	A	8/1992	Tignor
5,156,329	A	10/1992	Farrell
D336,034	S	6/1993	Rebilas
5,235,149	A	8/1993	Boehrer
5,277,920	A	1/1994	Weaver, Jr.
D351,228	S	10/1994	Weiler et al.
D354,906	S	1/1995	Lane, Jr. et al.
5,411,178	A	5/1995	Roders et al.
D362,595	S	9/1995	Schneider
5,482,172	A	1/1996	Braddock
5,529,224	A	6/1996	Chan et al.
5,546,728	A	8/1996	Dekeyser
5,613,517	A	3/1997	Handler
5,662,245	A	9/1997	Grant
5,706,961	A	1/1998	Morano
5,799,838	A	9/1998	Miller
5,806,726	A	9/1998	Ho
5,839,609	A	11/1998	Zukensberg
D416,477	S	11/1999	Flint
5,996,845	A	12/1999	Chan
6,007,264	A	12/1999	Koptis
6,051,263	A	4/2000	Gorlich et al.
6,062,413	A	5/2000	Redmond
6,085,942	A	7/2000	Redmond
6,089,375	A	7/2000	Johnson et al.
D435,440	S	12/2000	Croft et al.

6,220,311	B1	4/2001	Litto
D442,078	S	5/2001	Fuquen
D448,661	S	10/2001	Kerr et al.
6,357,631	B1	3/2002	Zaksenberg
6,419,118	B1	7/2002	Rees et al.
6,435,374	B1	8/2002	Tabaroni
6,460,781	B1	10/2002	Garcia et al.
6,557,731	B1	5/2003	Lyon et al.
6,601,737	B1	8/2003	Sandler
6,648,140	B2	11/2003	Petricca
6,663,019	B2	12/2003	Garcia et al.
D484,972	S	1/2004	Steele, IV et al.
6,702,462	B2	3/2004	Richardson
6,811,057	B2	11/2004	Duquet et al.
6,854,888	B1	2/2005	Brown et al.
6,863,178	B2	3/2005	Sokolsky et al.
D505,861	S	6/2005	Risgalla
6,955,028	B1	10/2005	Dunaway
D512,648	S	12/2005	Smith et al.
7,004,322	B1	2/2006	Bartoli
D523,758	S	6/2006	Risgalla
D537,341	S	2/2007	Liebe et al.
RE39,520	E	3/2007	Hess et al.
D39,520	S	3/2007	Hess et al.
D553,007	S	10/2007	Goodwin et al.
D555,011	S	11/2007	Spanjaard
D580,782	S	11/2008	Murray
7,506,762	B2	3/2009	Nelson et al.
D598,299	S	8/2009	Isogai et al.
D604,637	S	11/2009	Ueda
D623,072	S *	9/2010	Caldwell et al. D9/707
D623,073	S *	9/2010	Caldwell et al. D9/707
2001/0045374	A1	11/2001	Selker
2002/0100760	A1	8/2002	Rinks
2002/0148855	A1	10/2002	Sokolsky et al.
2003/0015605	A1	1/2003	Garcia et al.
2003/0183637	A1	10/2003	Zappa et al.
2006/0278562	A1	12/2006	Van Puijenbrock
2007/0034647	A1	2/2007	Patrick
2007/0164045	A1	7/2007	Wydler et al.
2007/0228073	A1	10/2007	Mazzarino
2010/0008602	A1	1/2010	Risgalla

FOREIGN PATENT DOCUMENTS

JP	52-38551	3/1977
JP	61-59558 A	3/1986
JP	61-93470 A	5/1986
JP	1-111680 A	4/1989
JP	7-35172 A	2/1995
WO	WO 97/28054	8/1997
WO	WO-2002/070352	9/2002
WO	WO-2004/063048	7/2004
WO	WO-2007/126817	11/2007

* cited by examiner

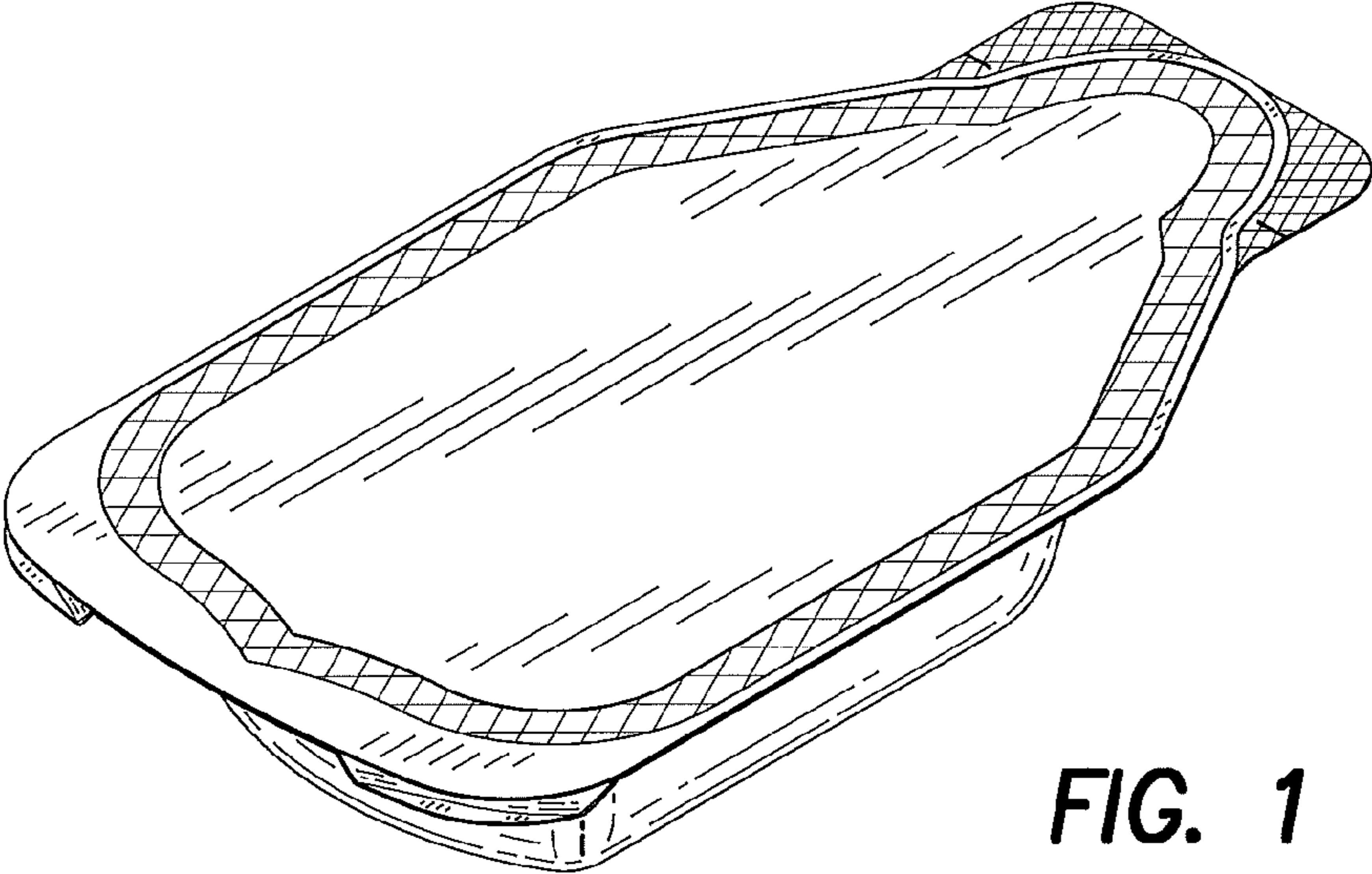


FIG. 1

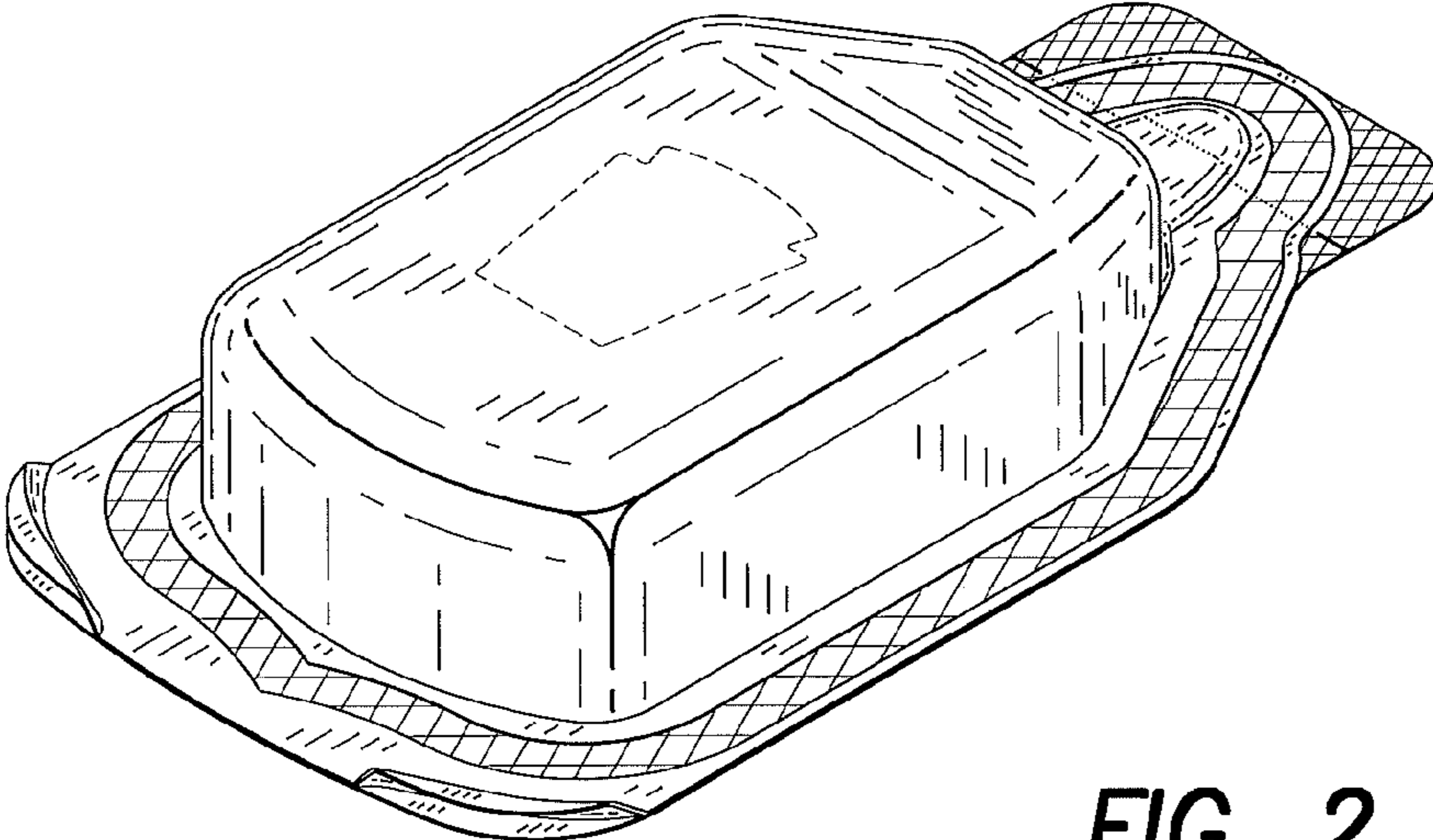


FIG. 2

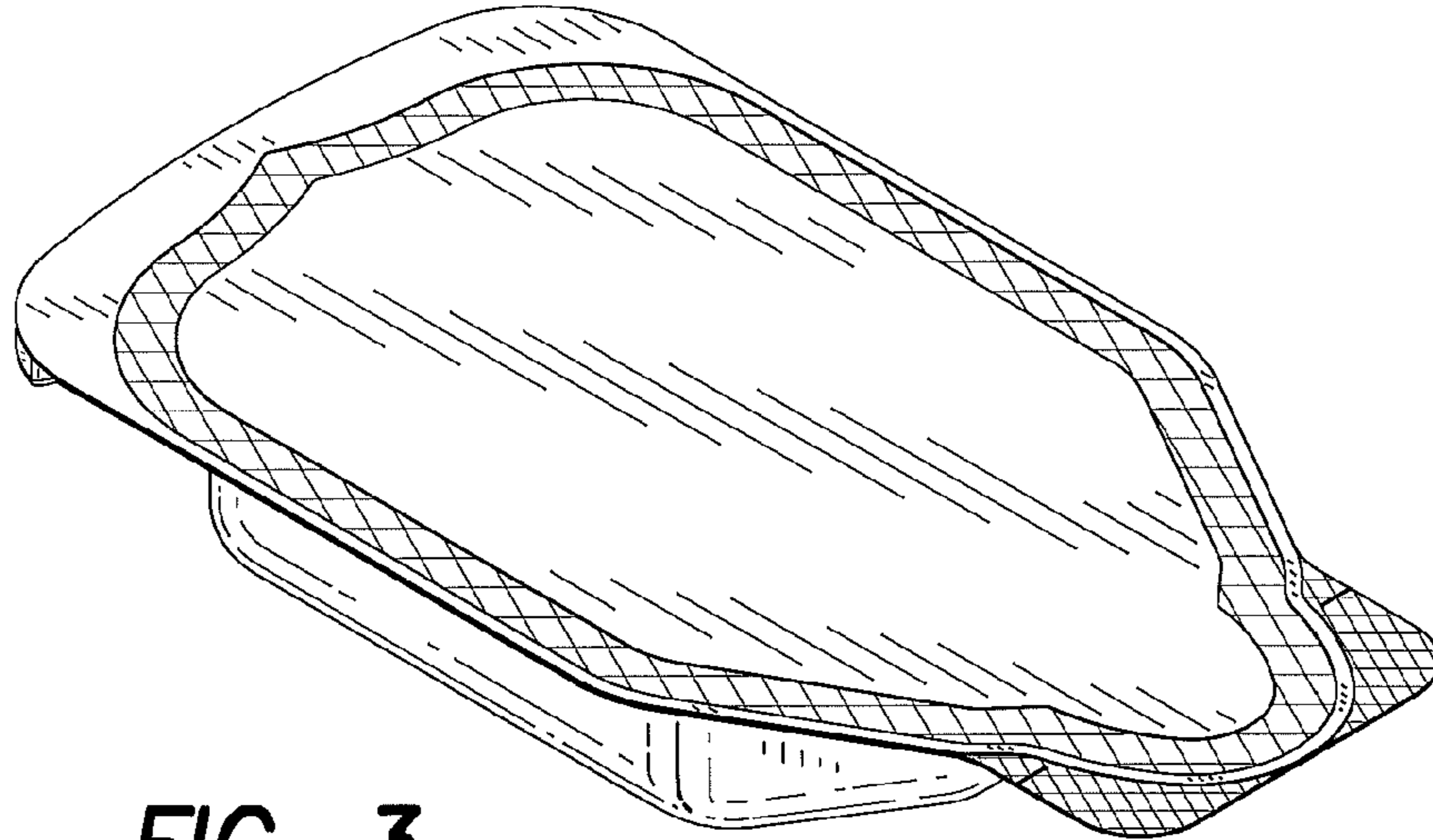


FIG. 3

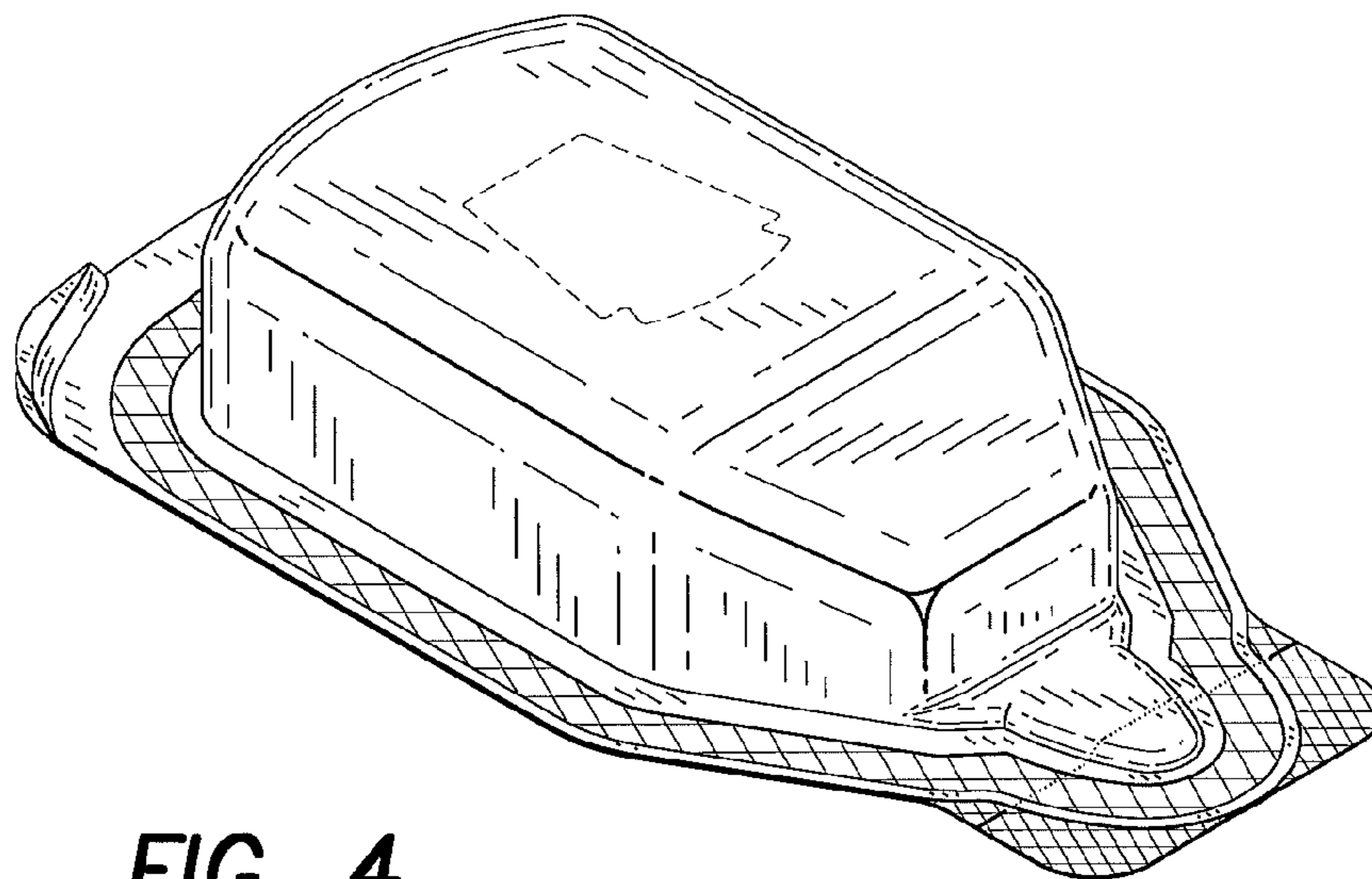


FIG. 4

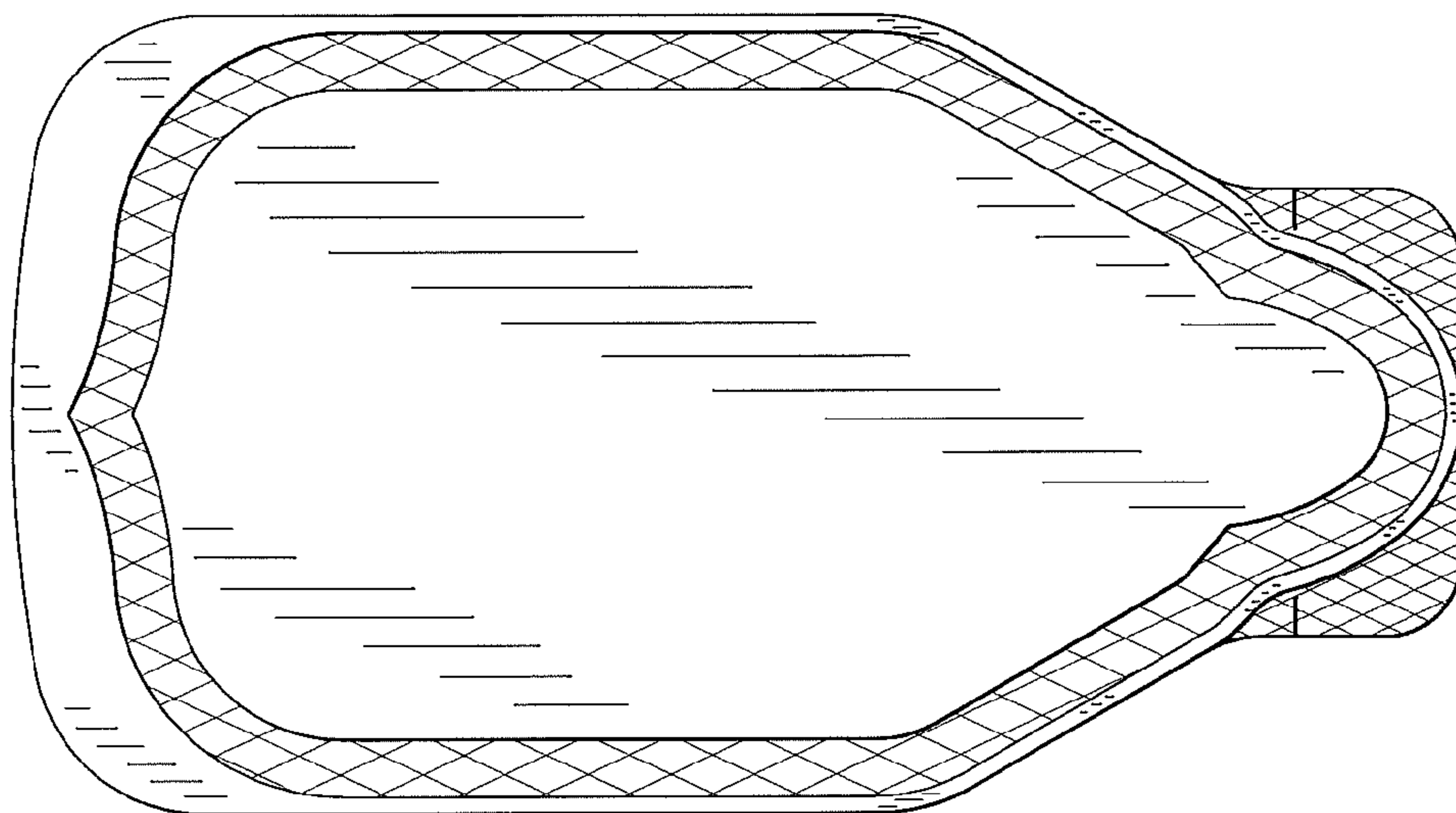


FIG. 5

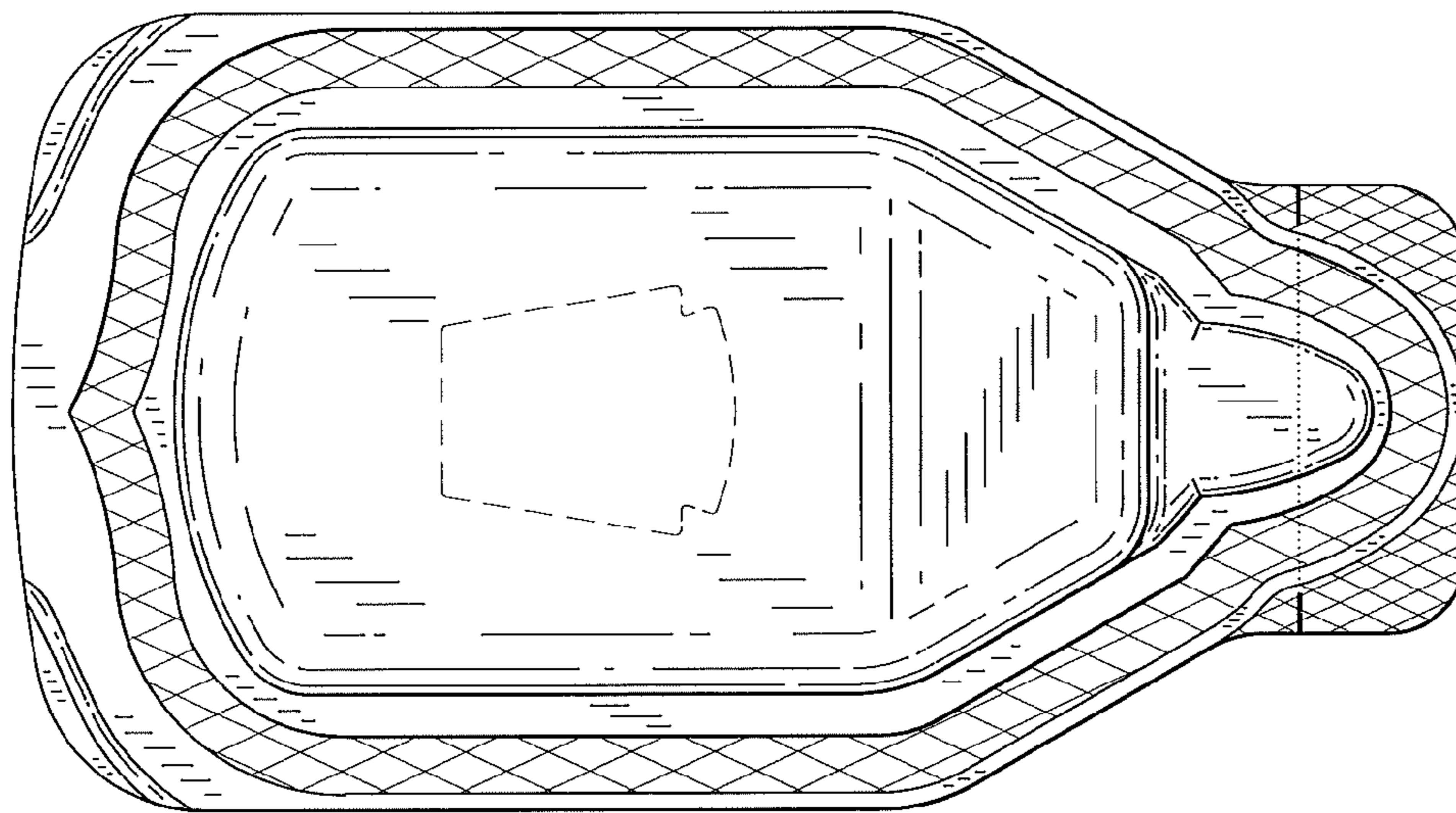


FIG. 6

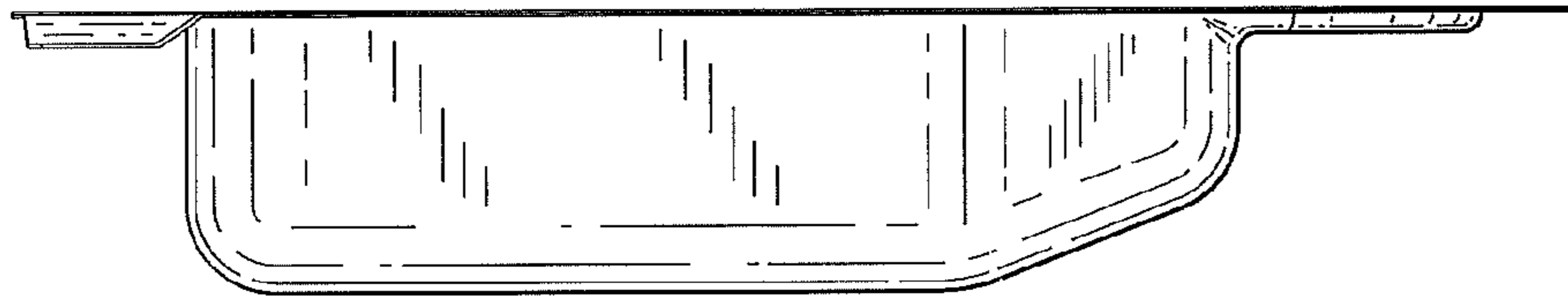


FIG. 7

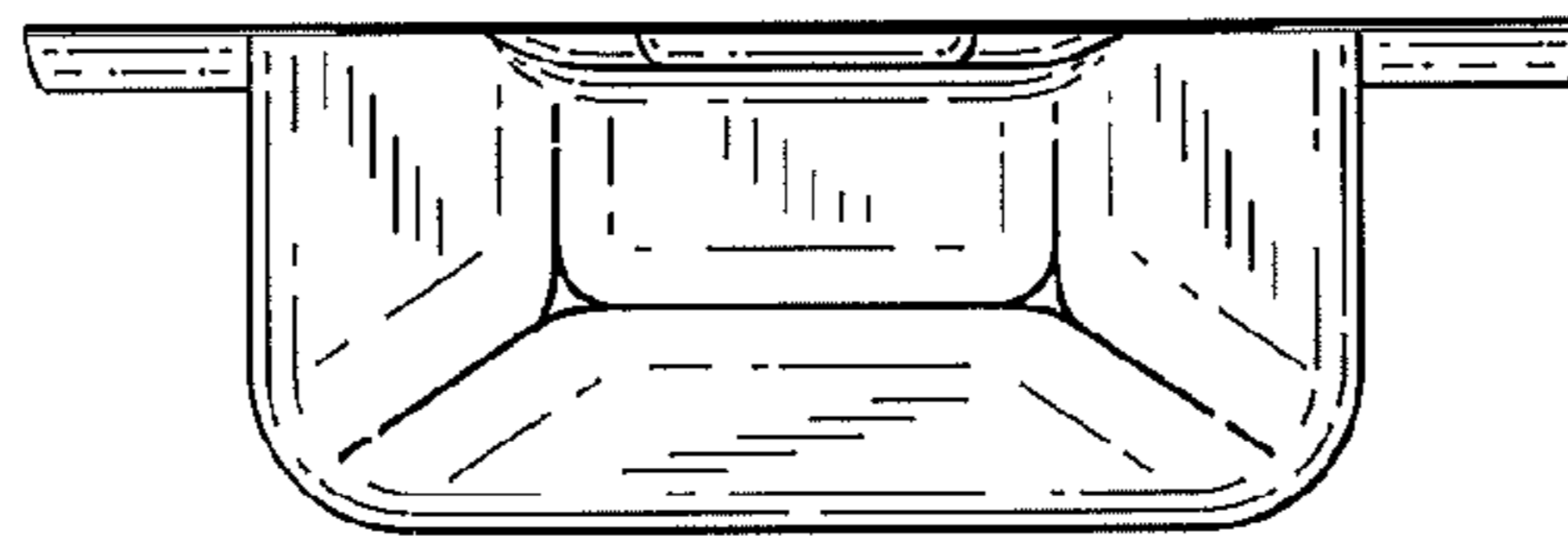


FIG. 8

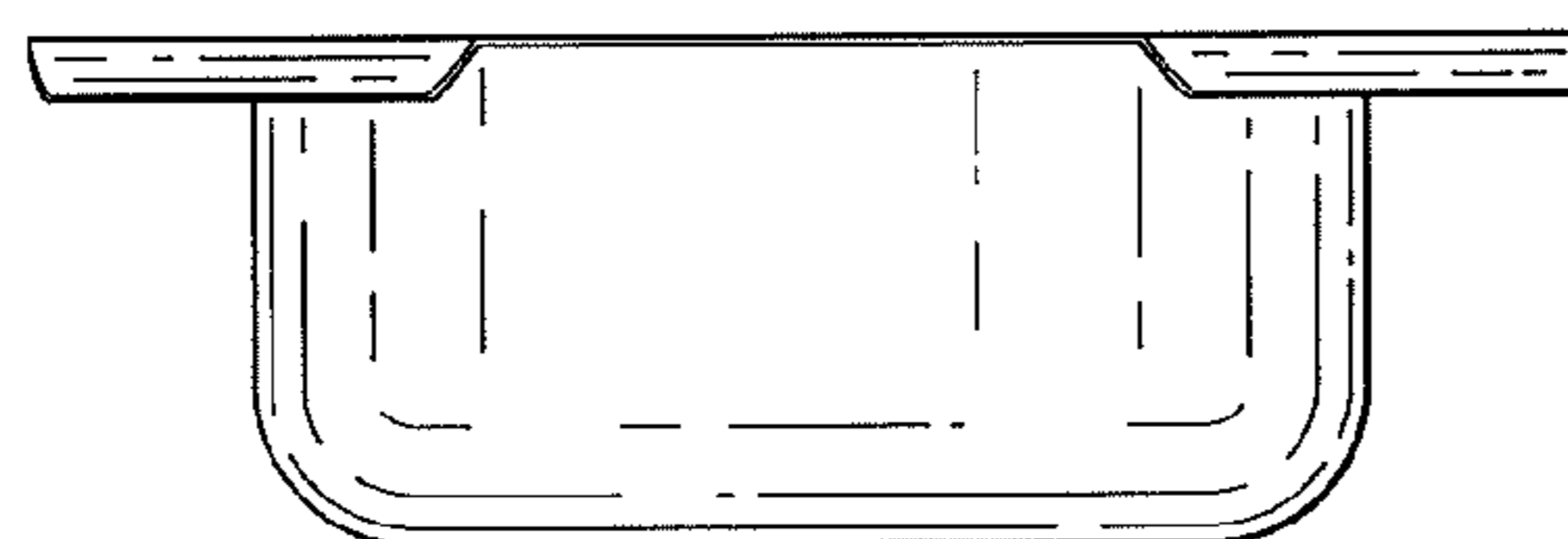


FIG. 9

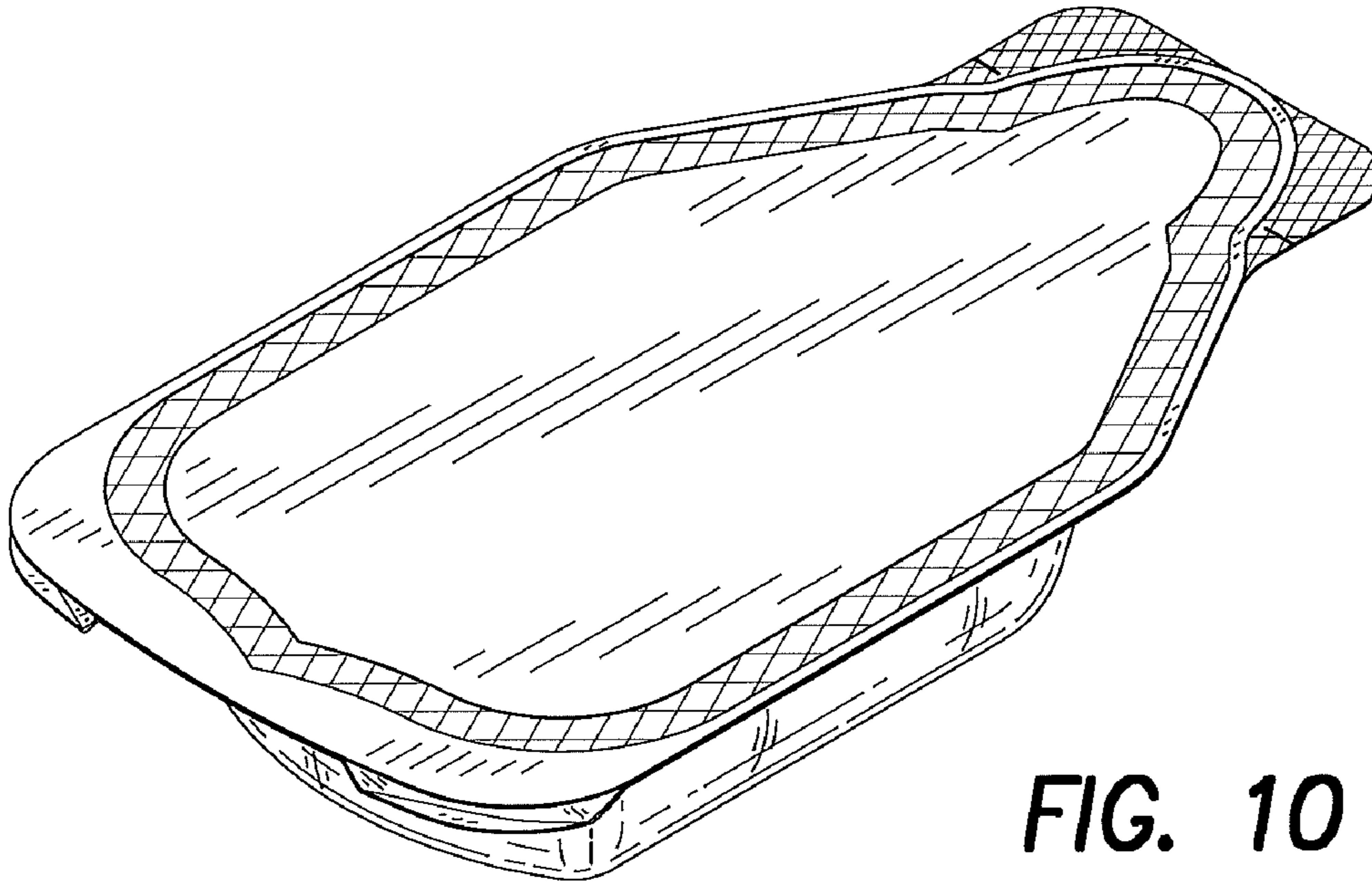


FIG. 10

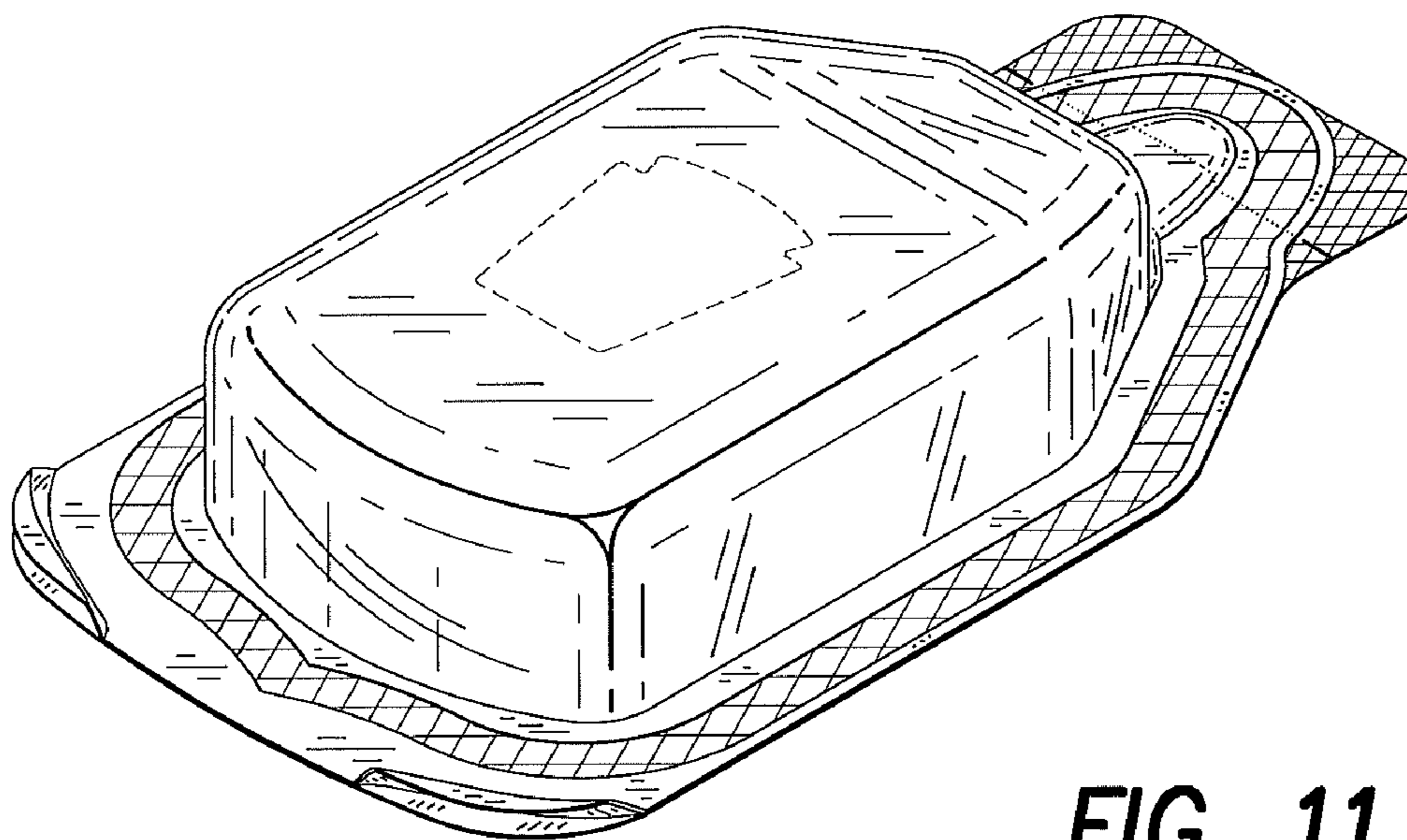


FIG. 11

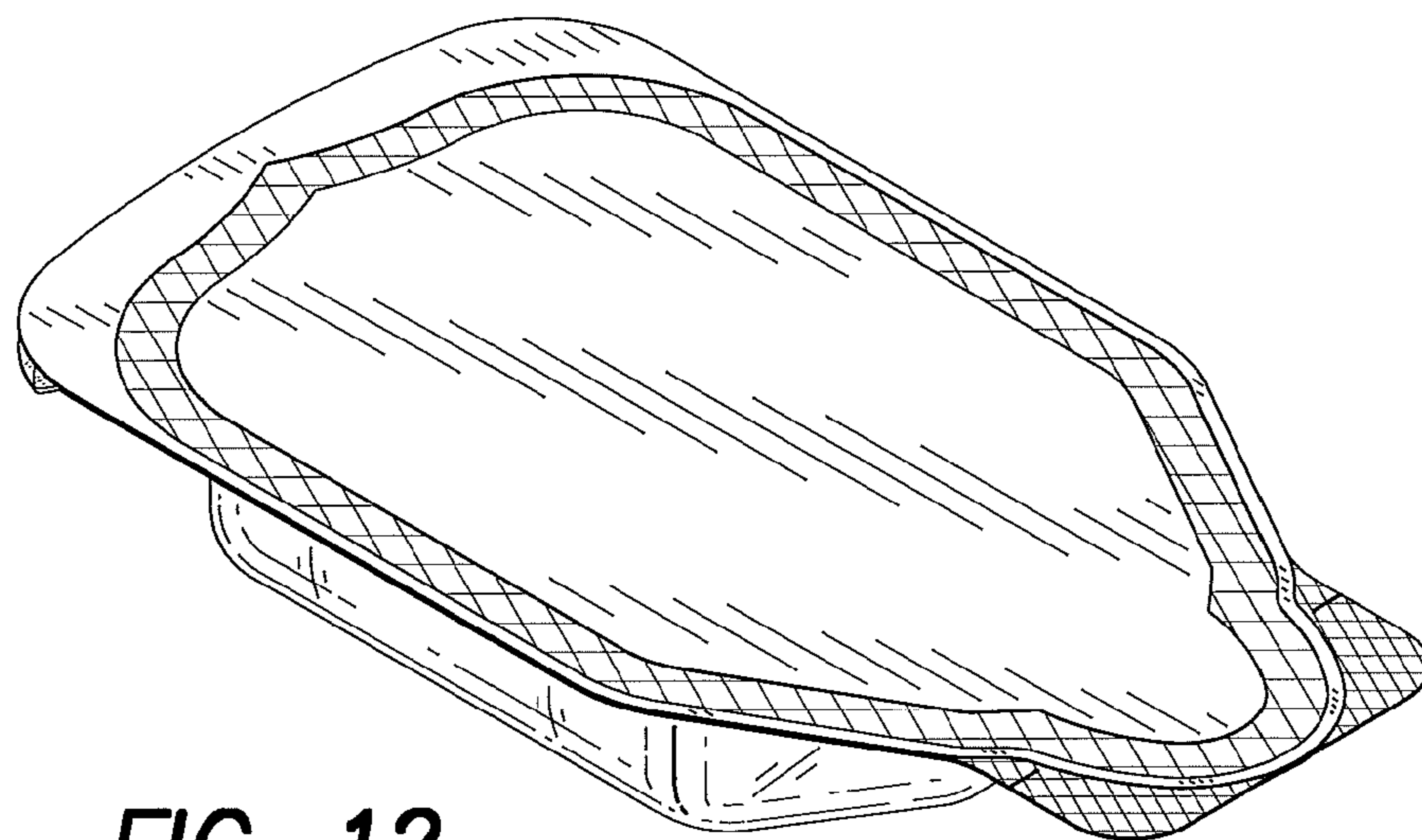


FIG. 12

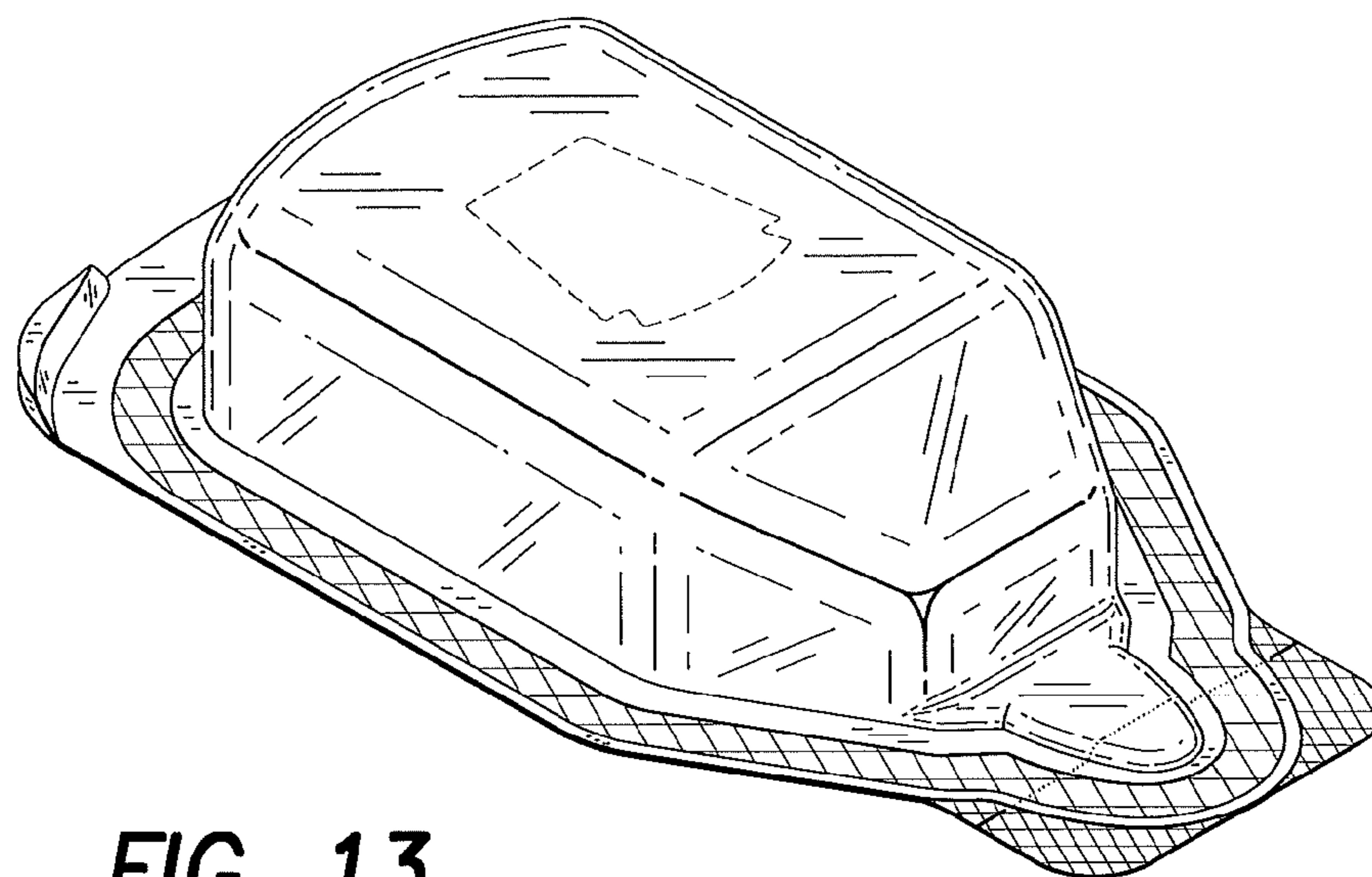


FIG. 13

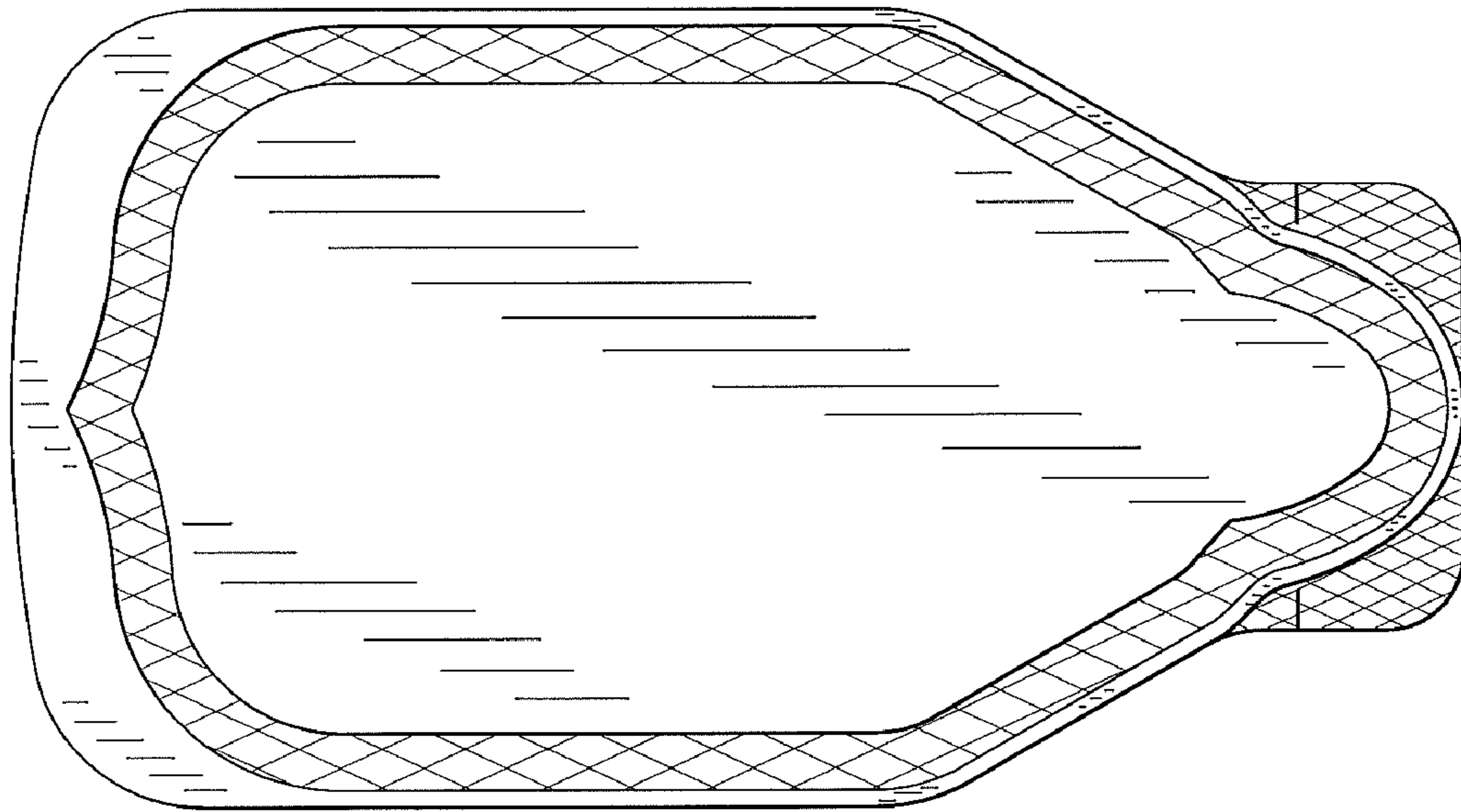


FIG. 14

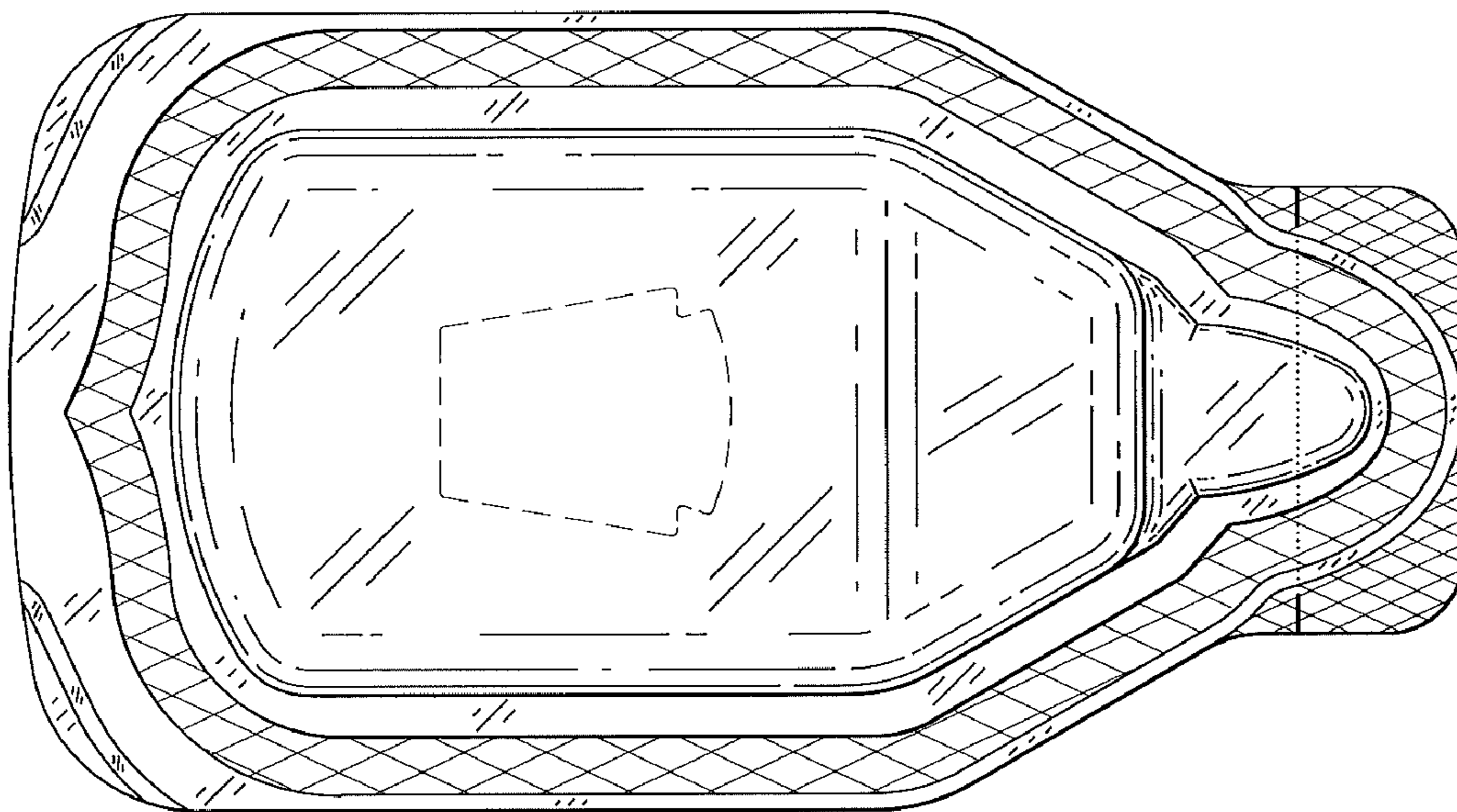


FIG. 15

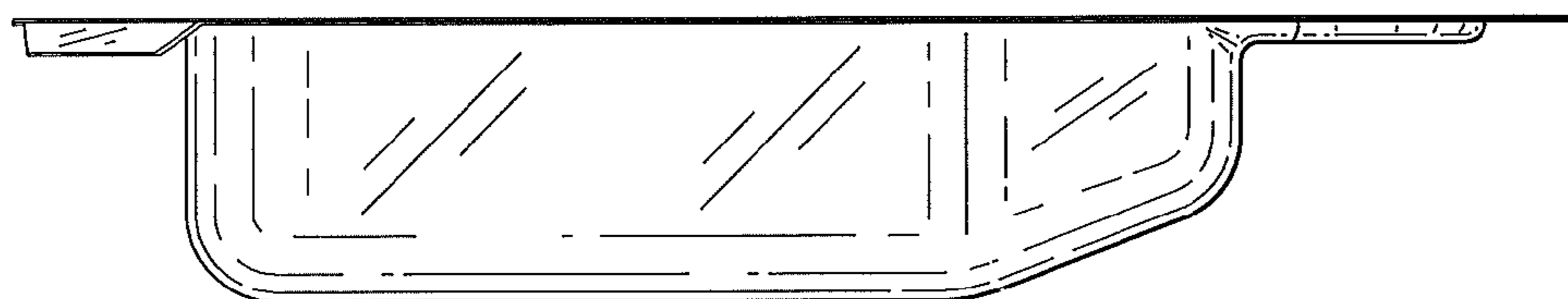


FIG. 16

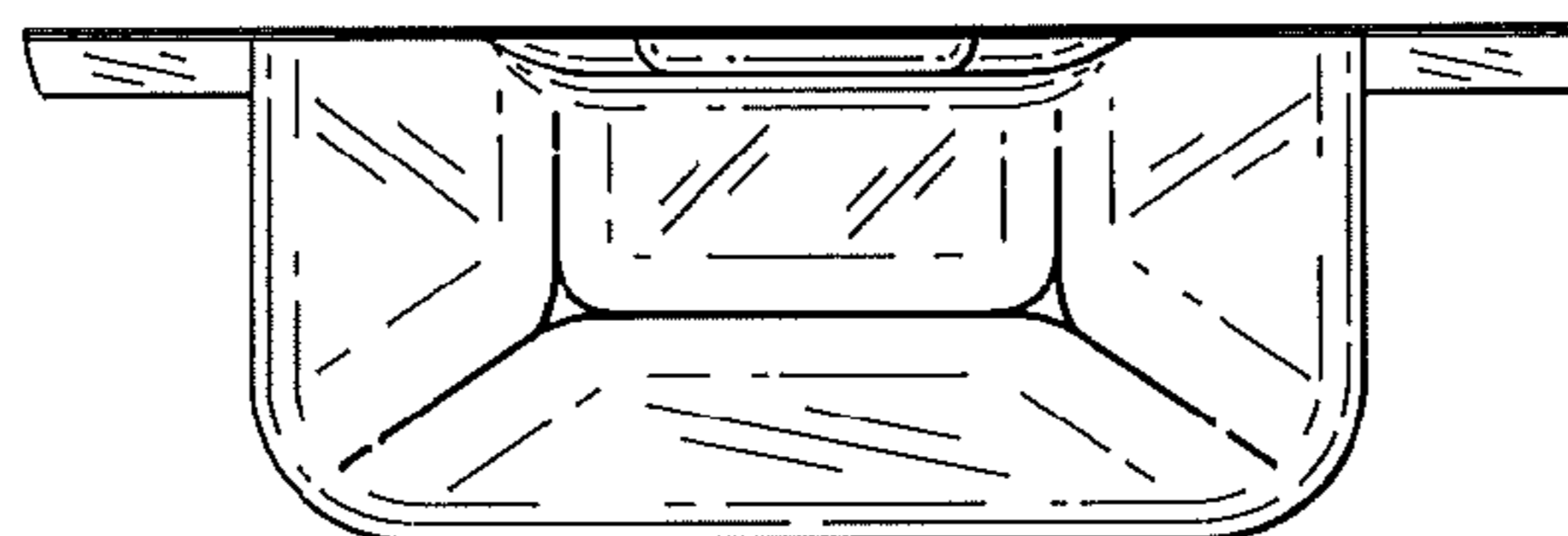


FIG. 17

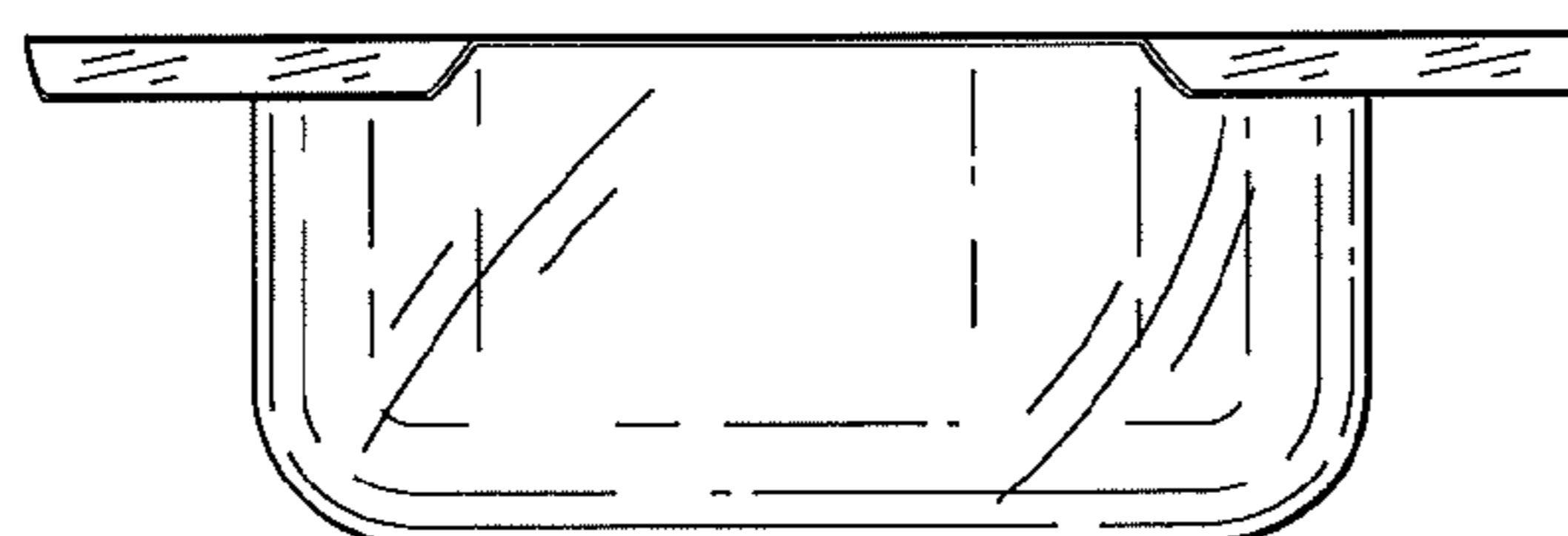


FIG. 18

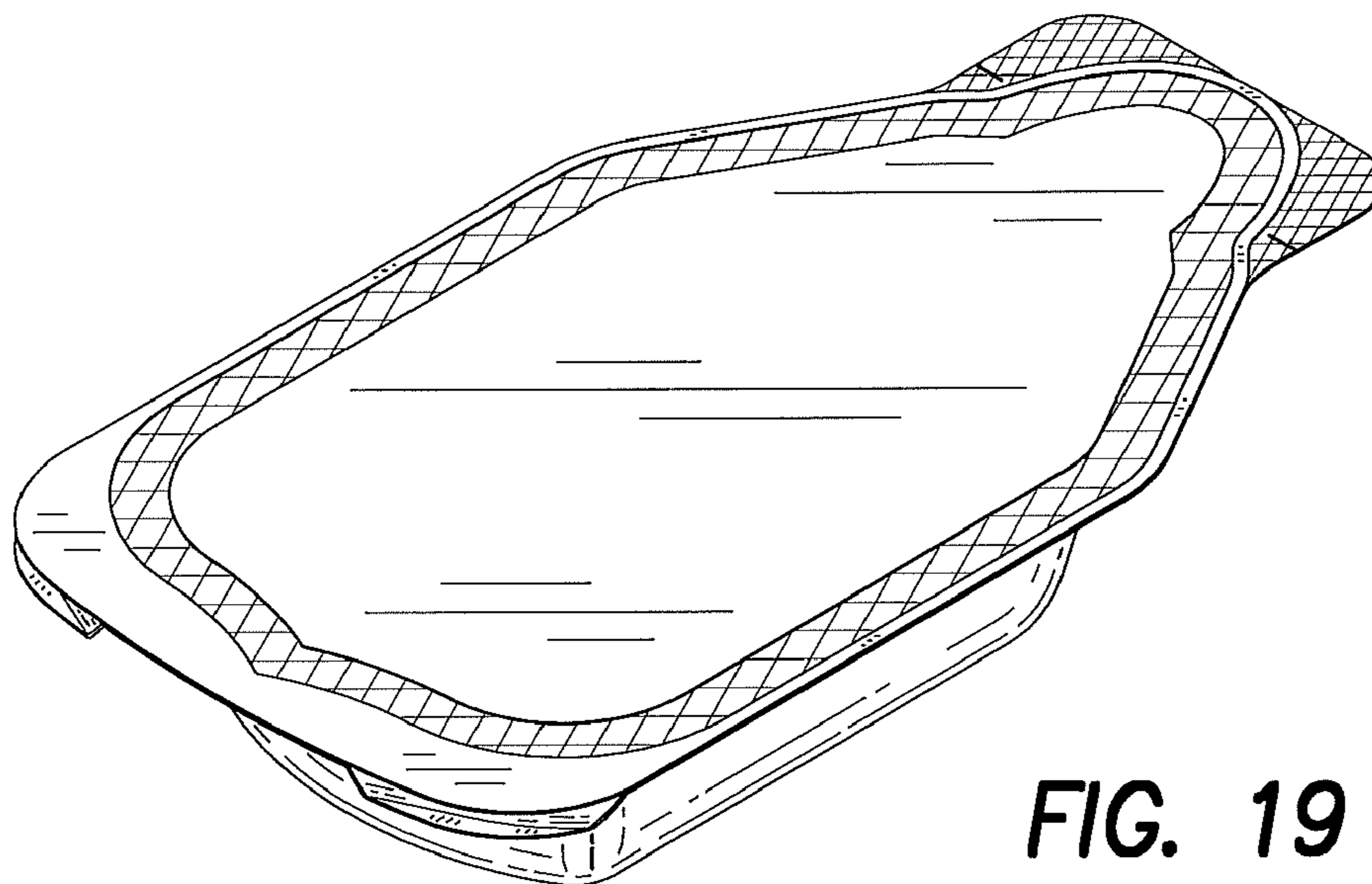


FIG. 19

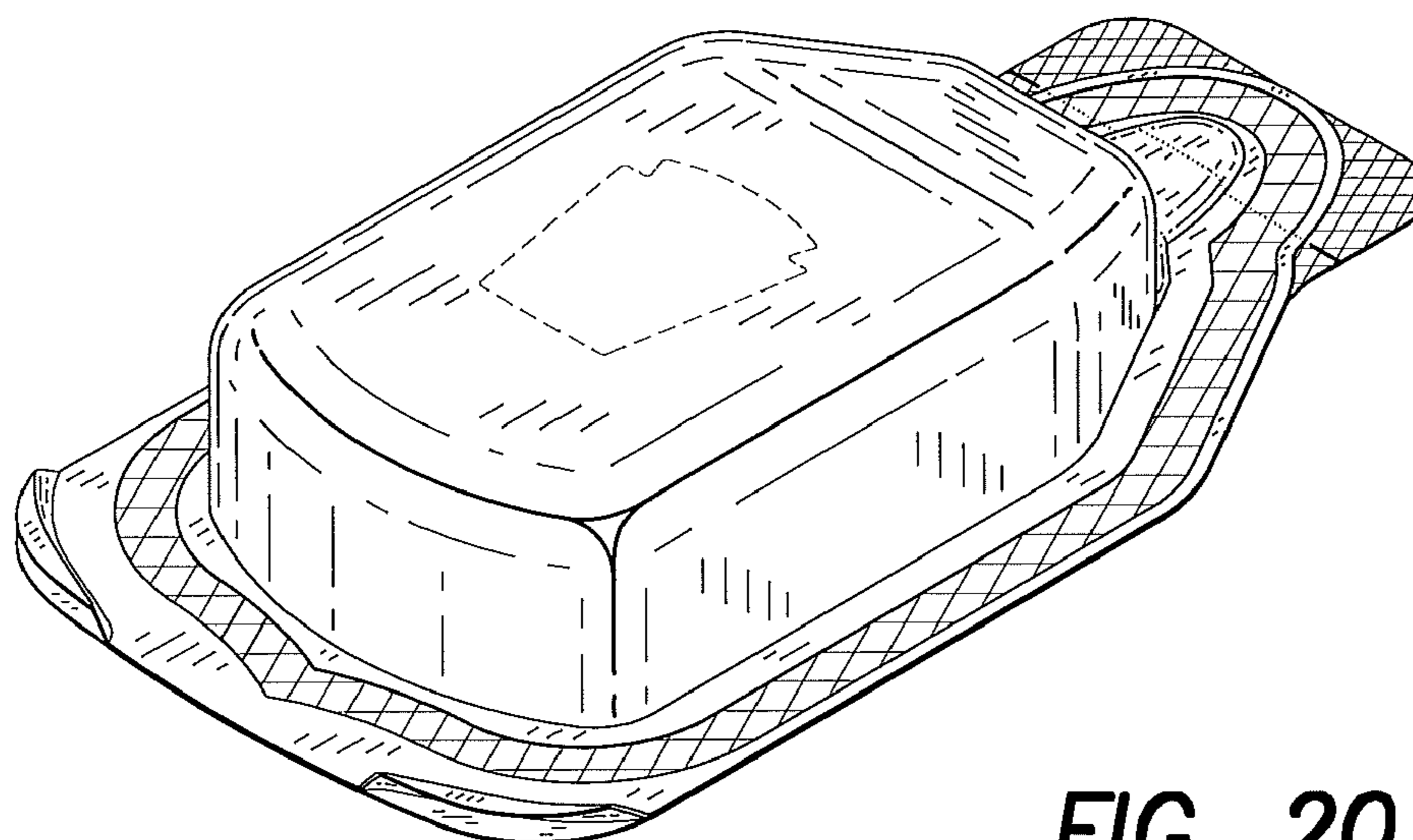


FIG. 20

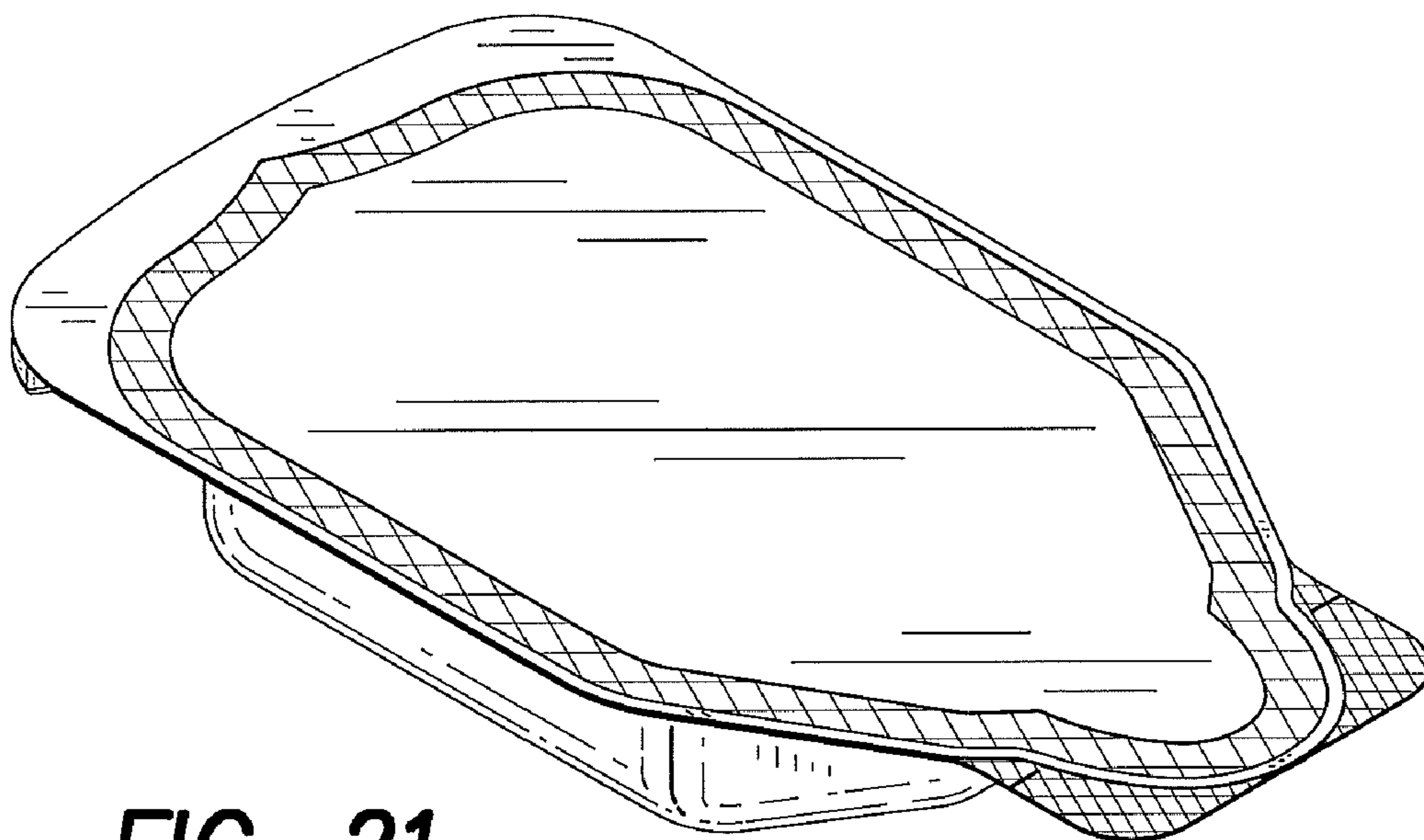


FIG. 21

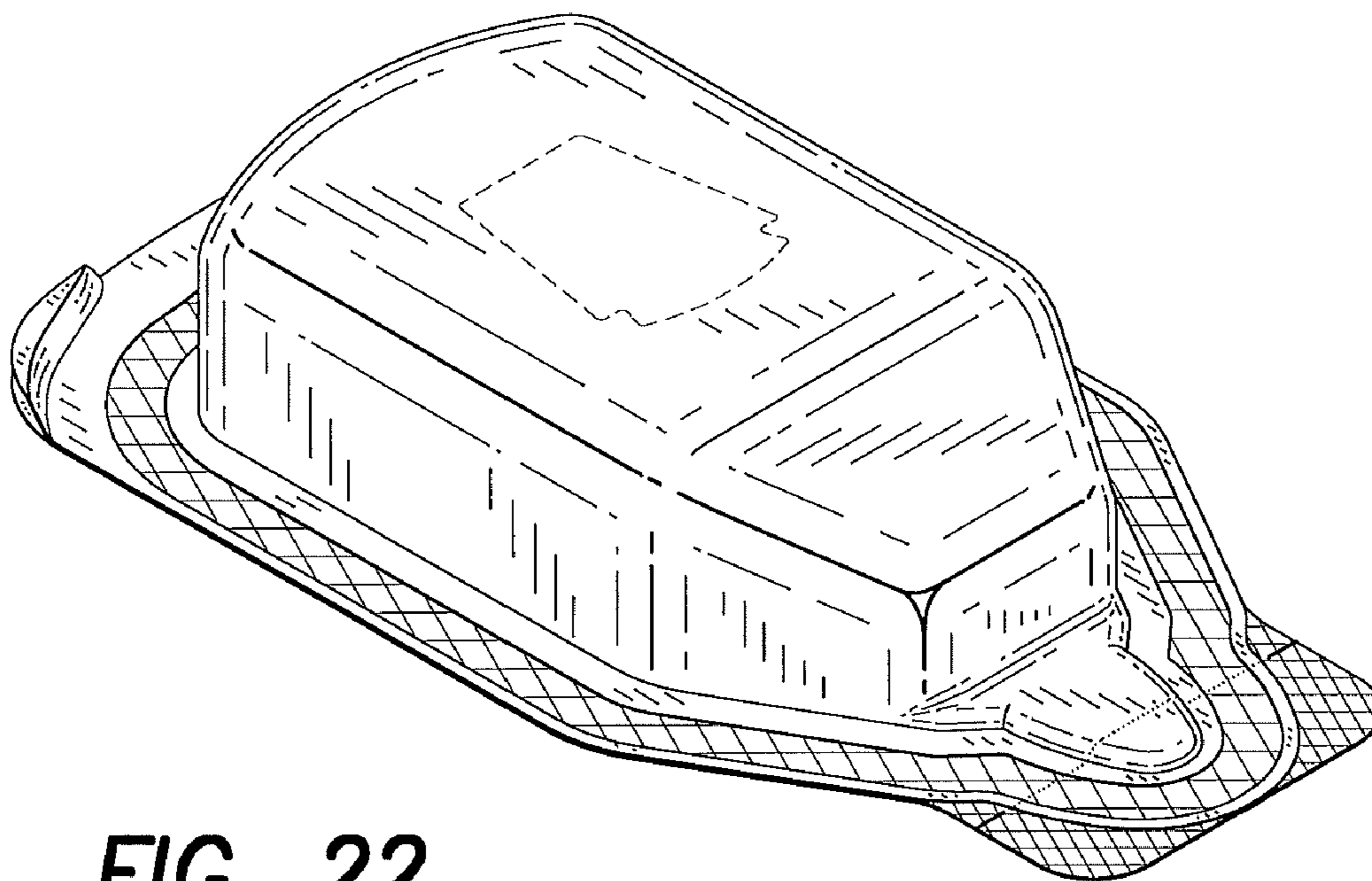


FIG. 22

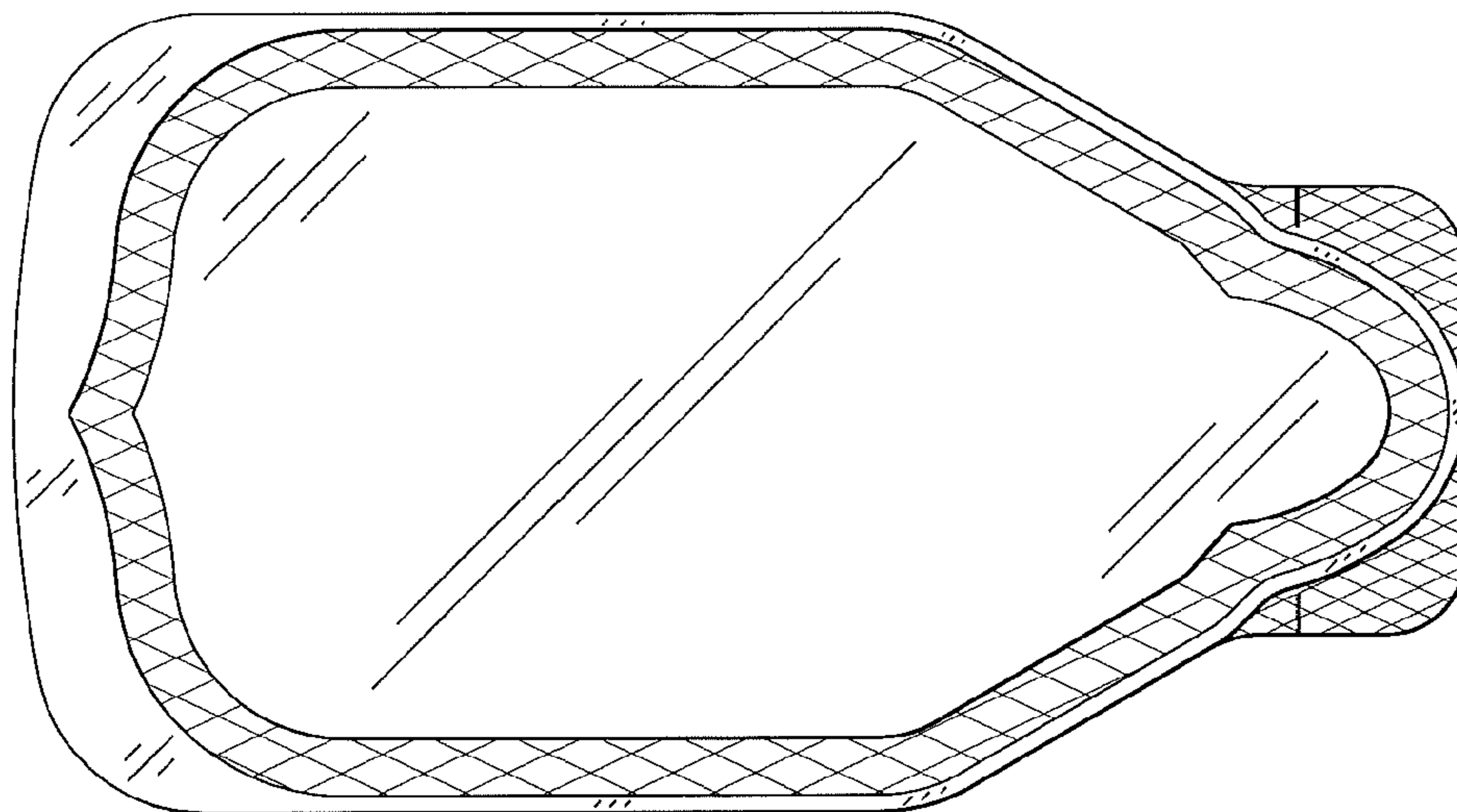


FIG. 23

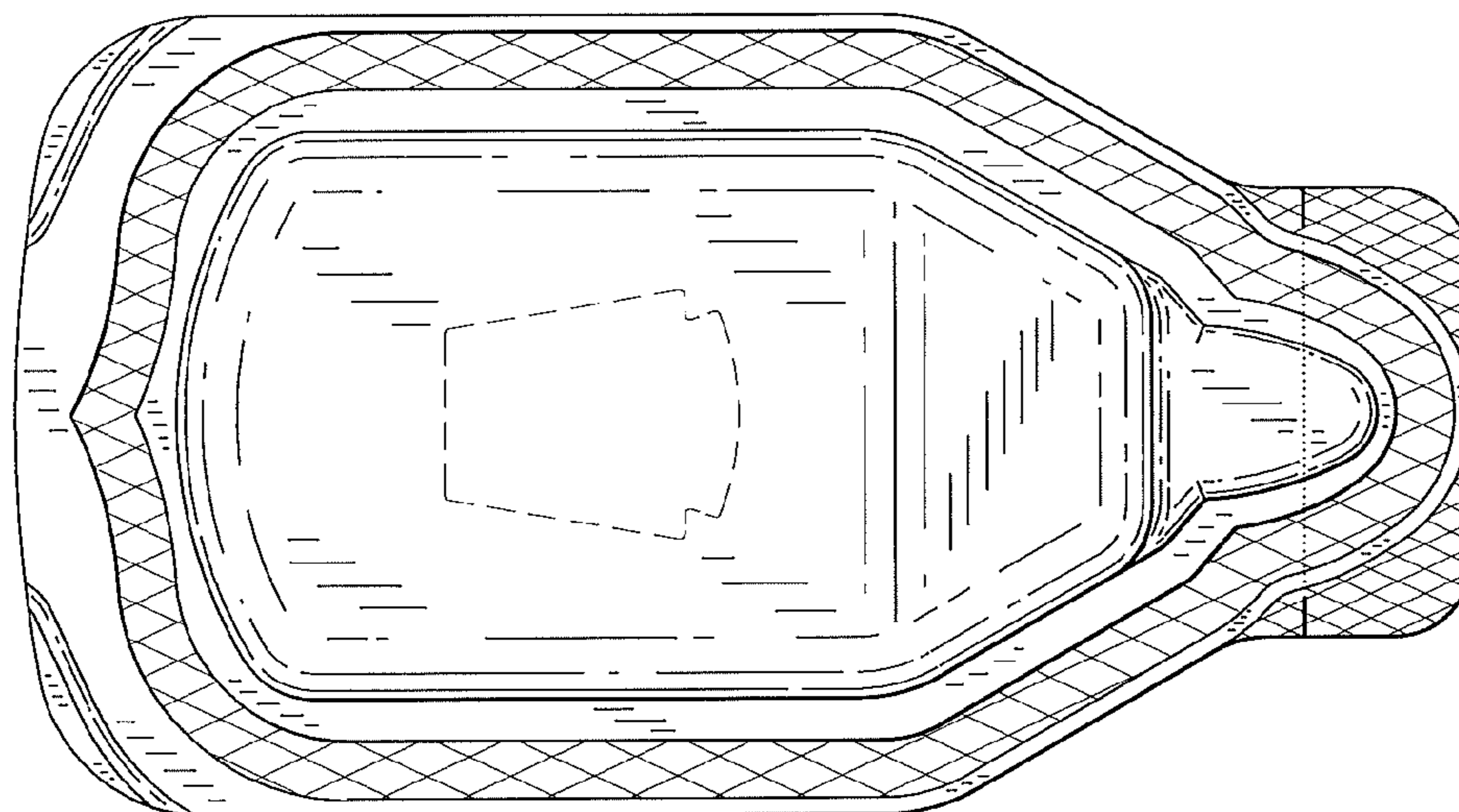


FIG. 24

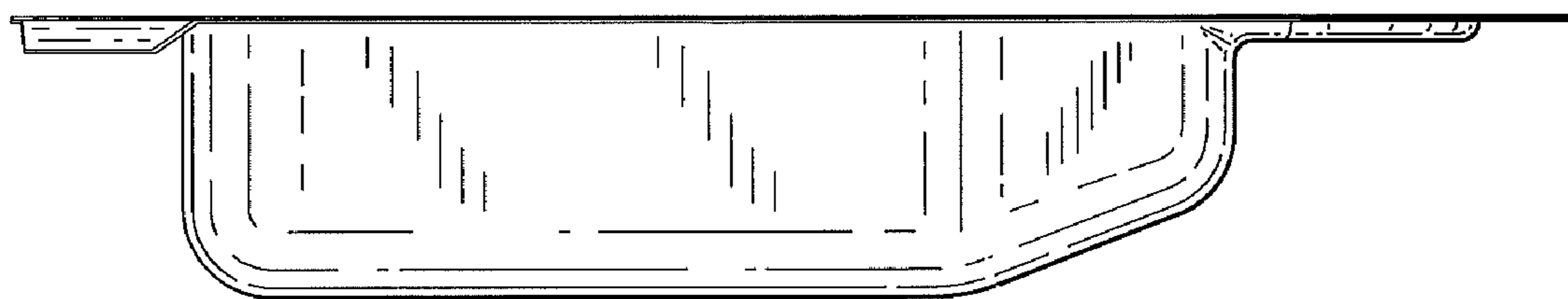


FIG. 25

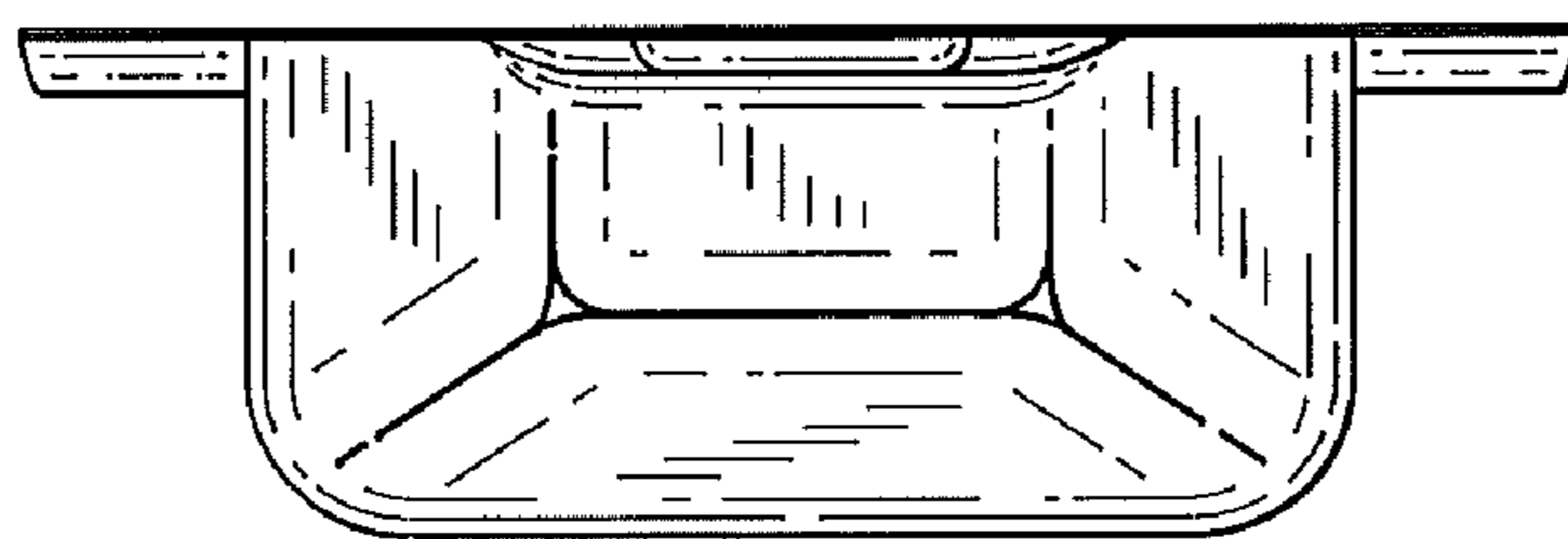


FIG. 26

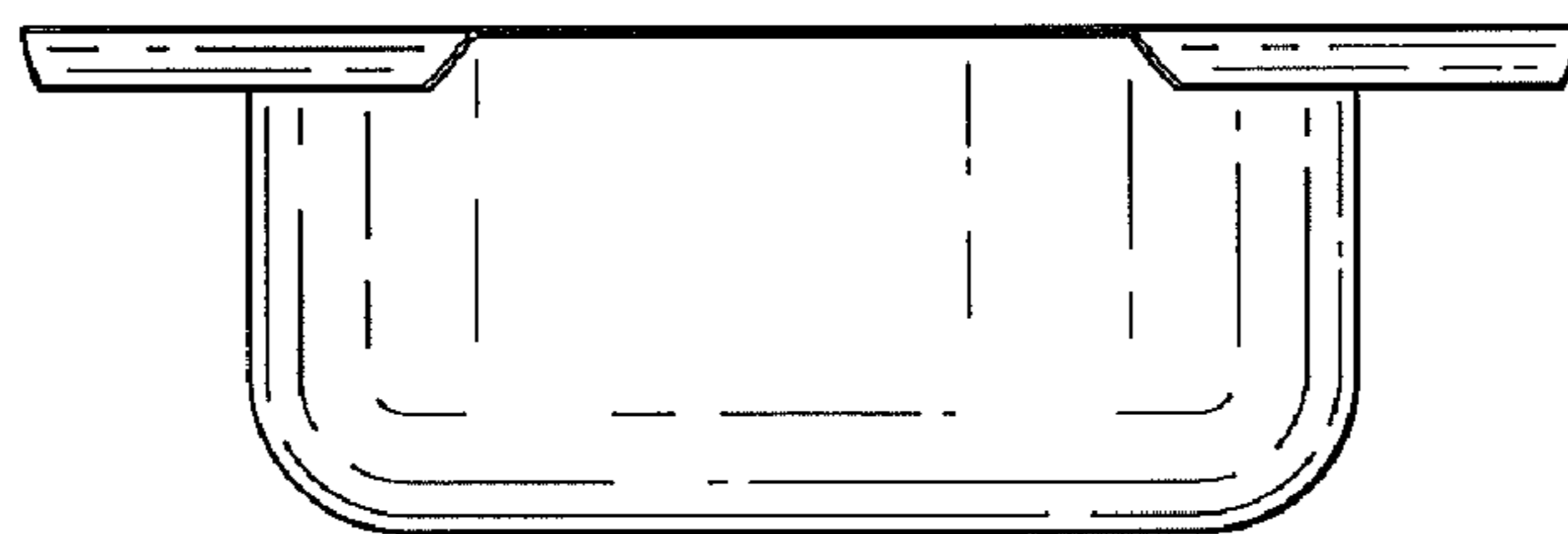


FIG. 27

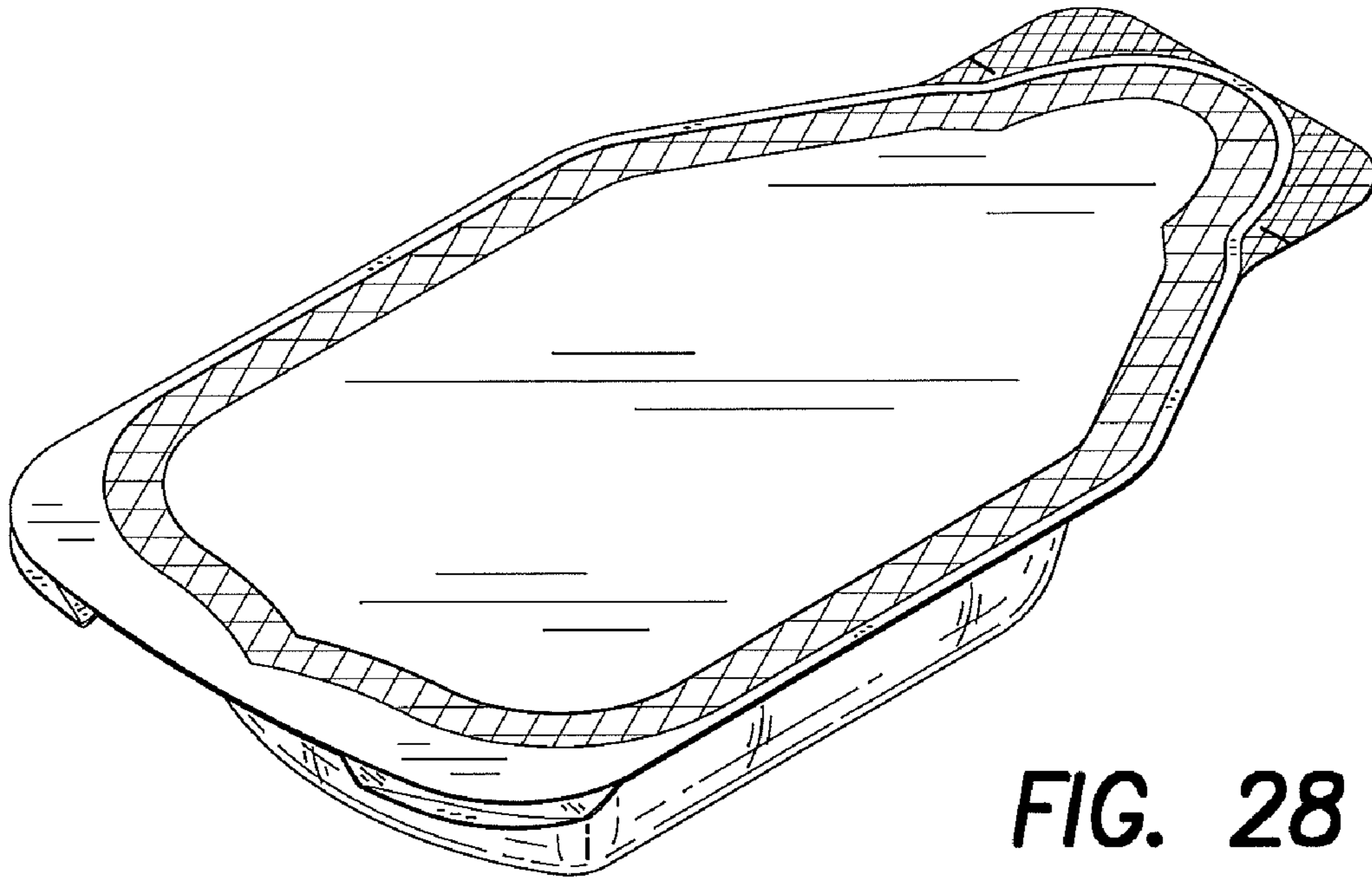


FIG. 28

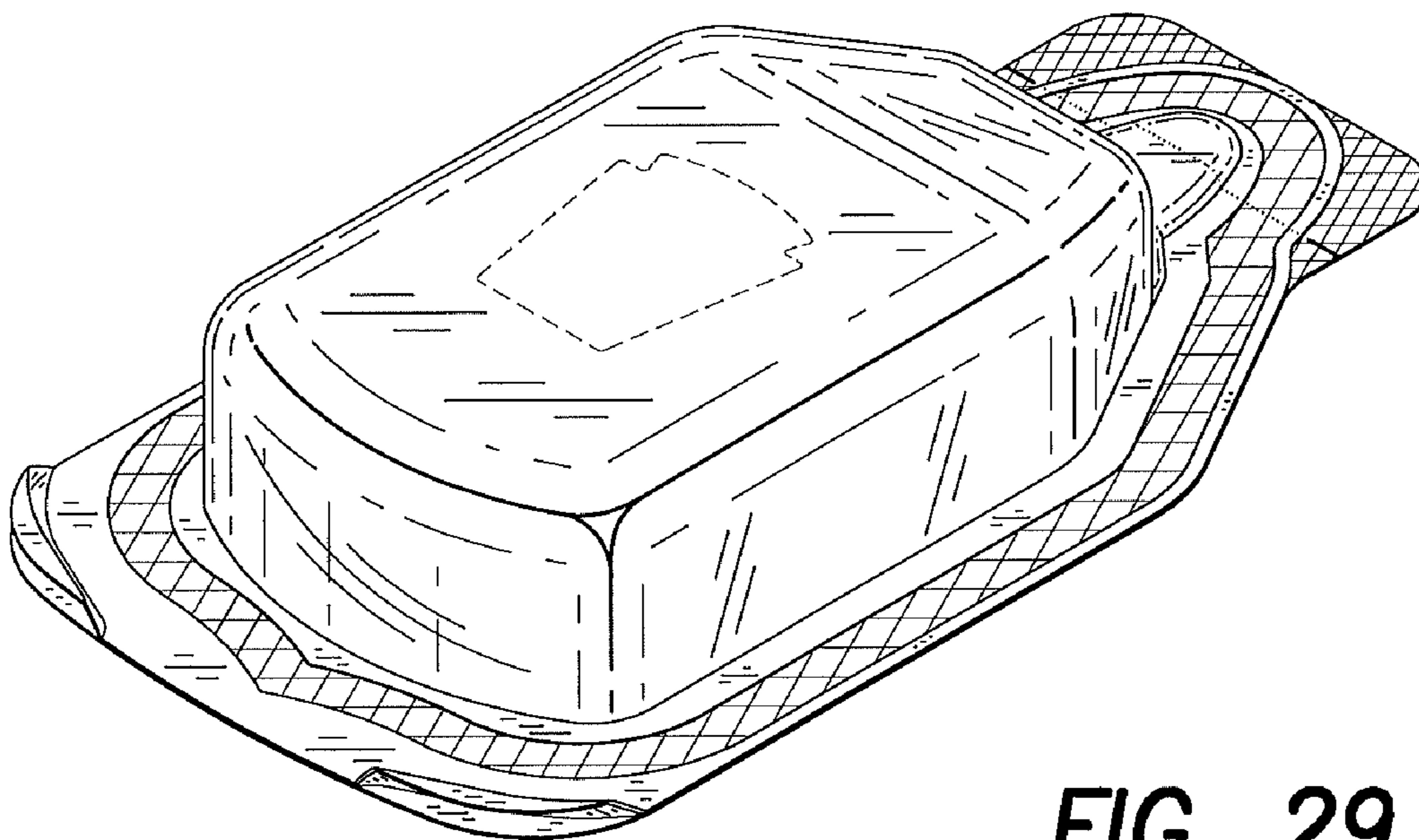


FIG. 29

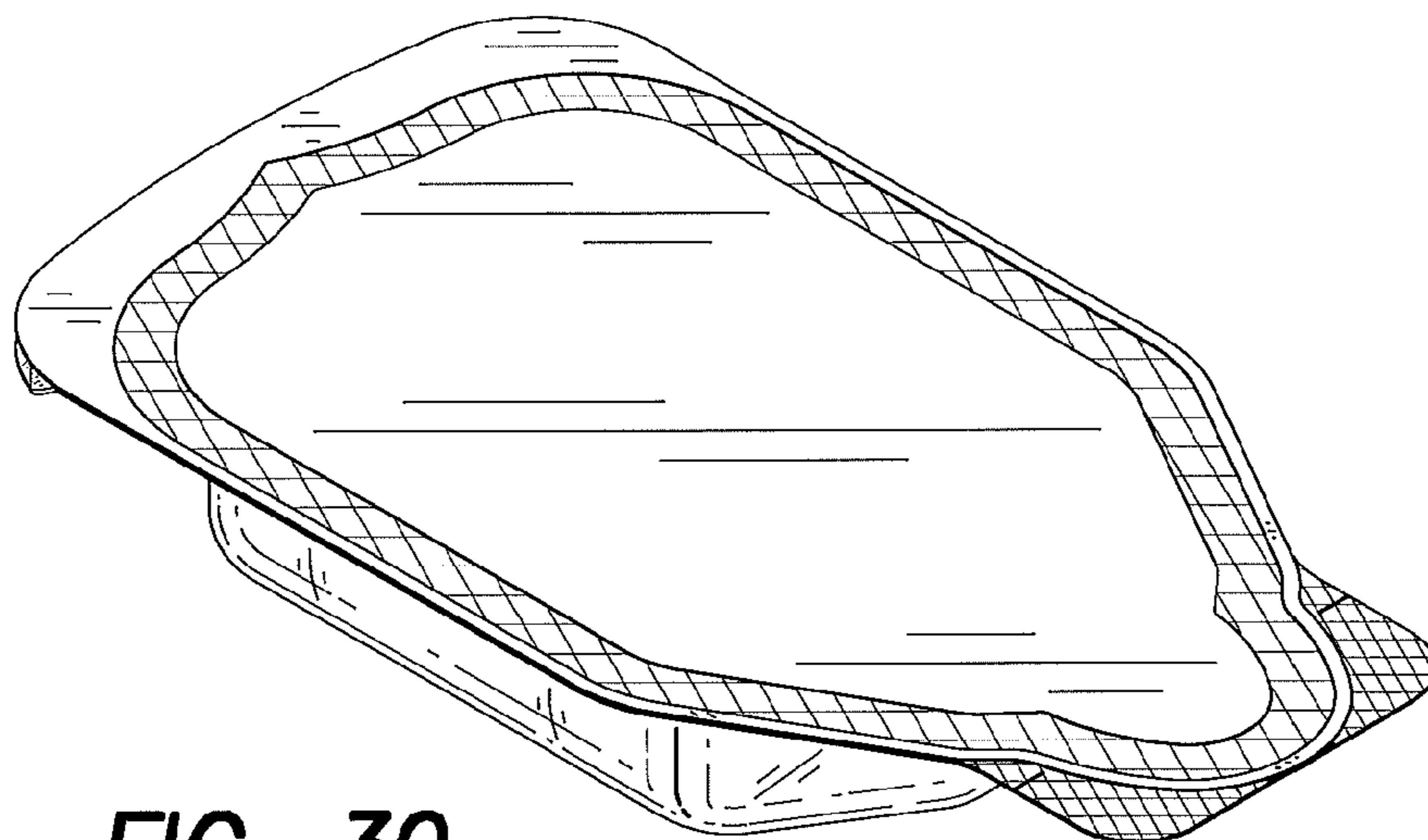


FIG. 30

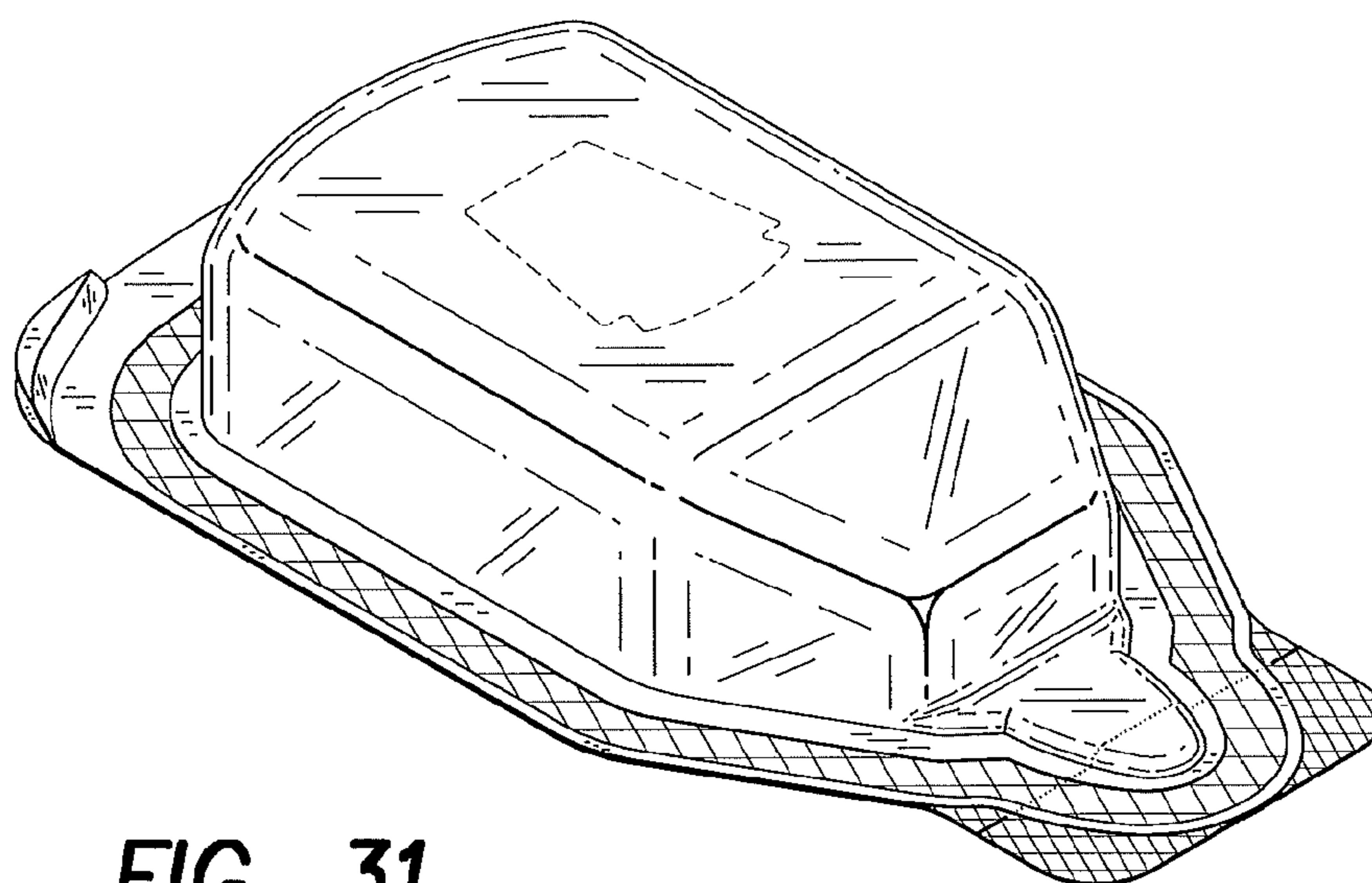


FIG. 31

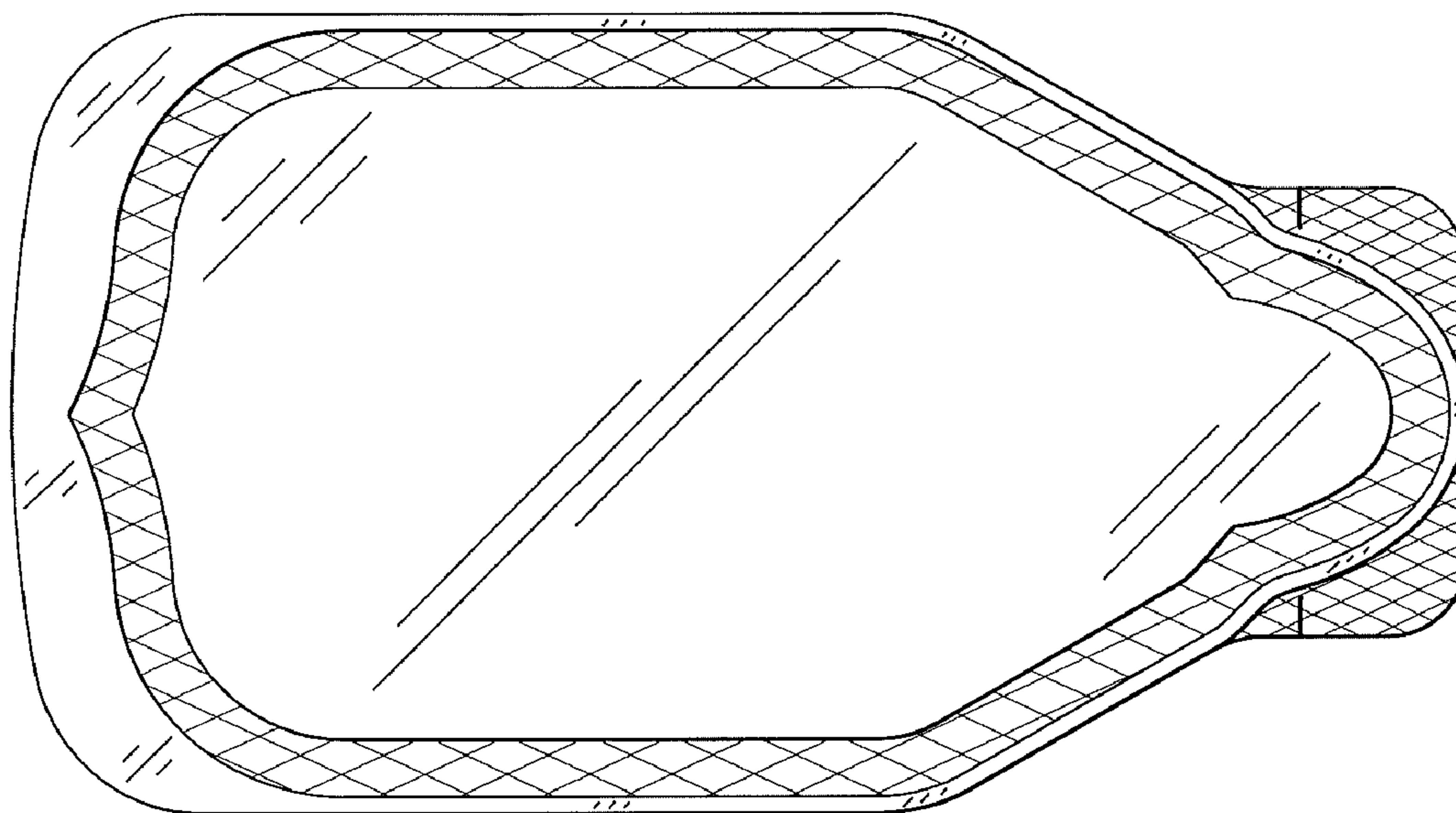


FIG. 32

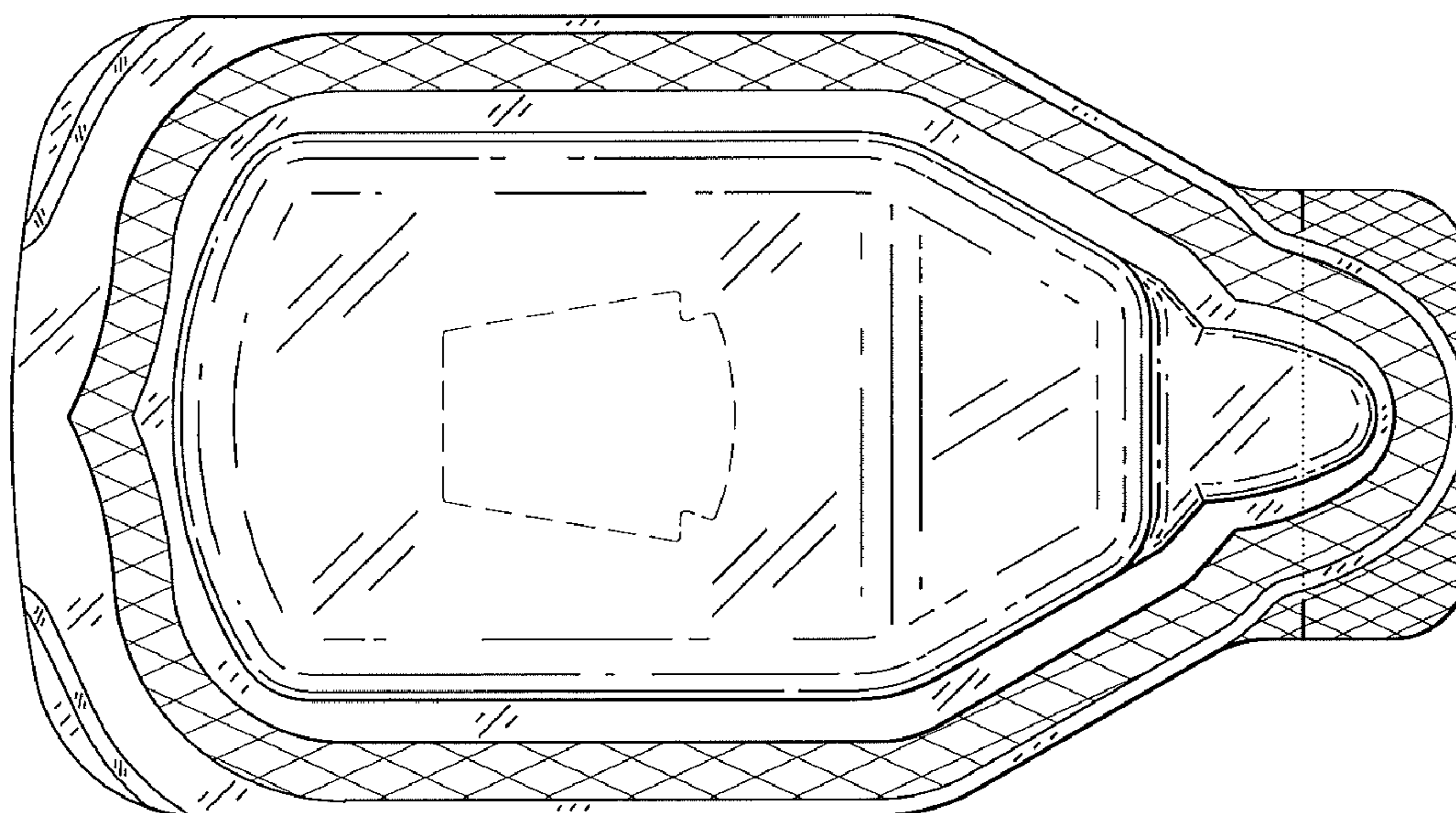


FIG. 33

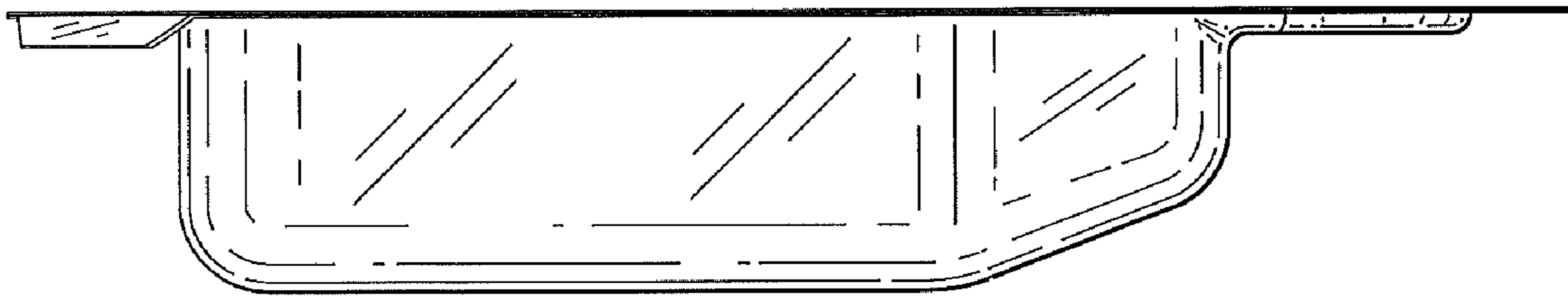


FIG. 34

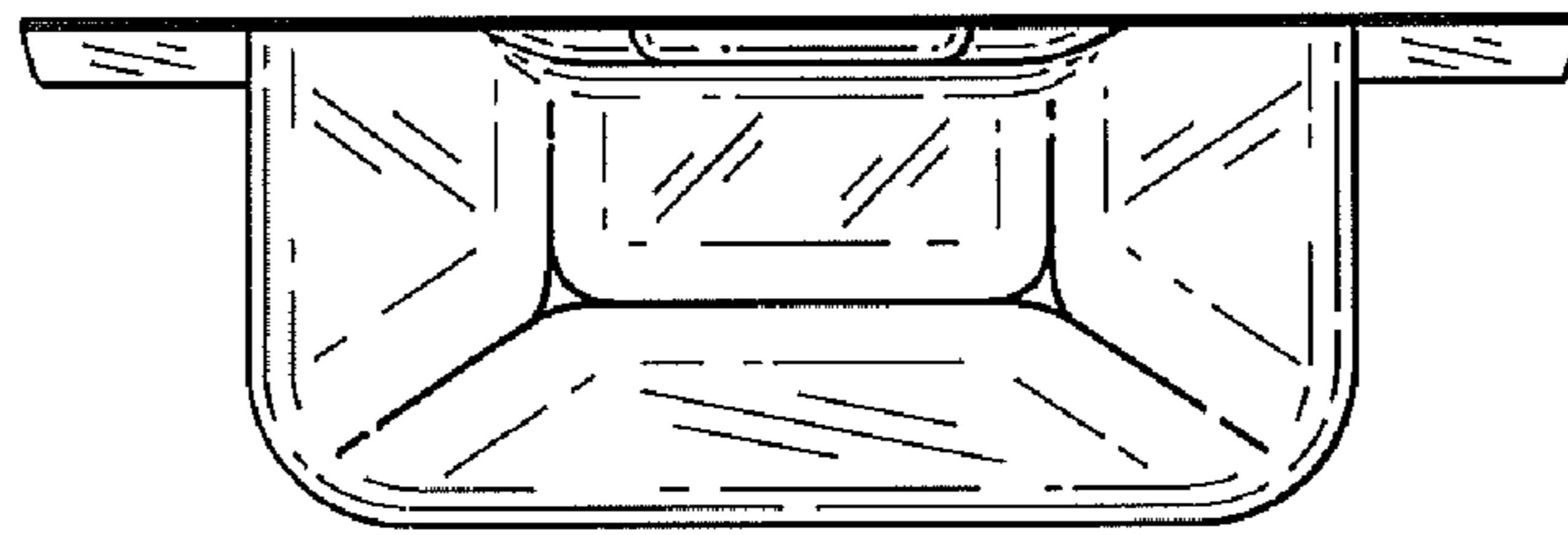


FIG. 35

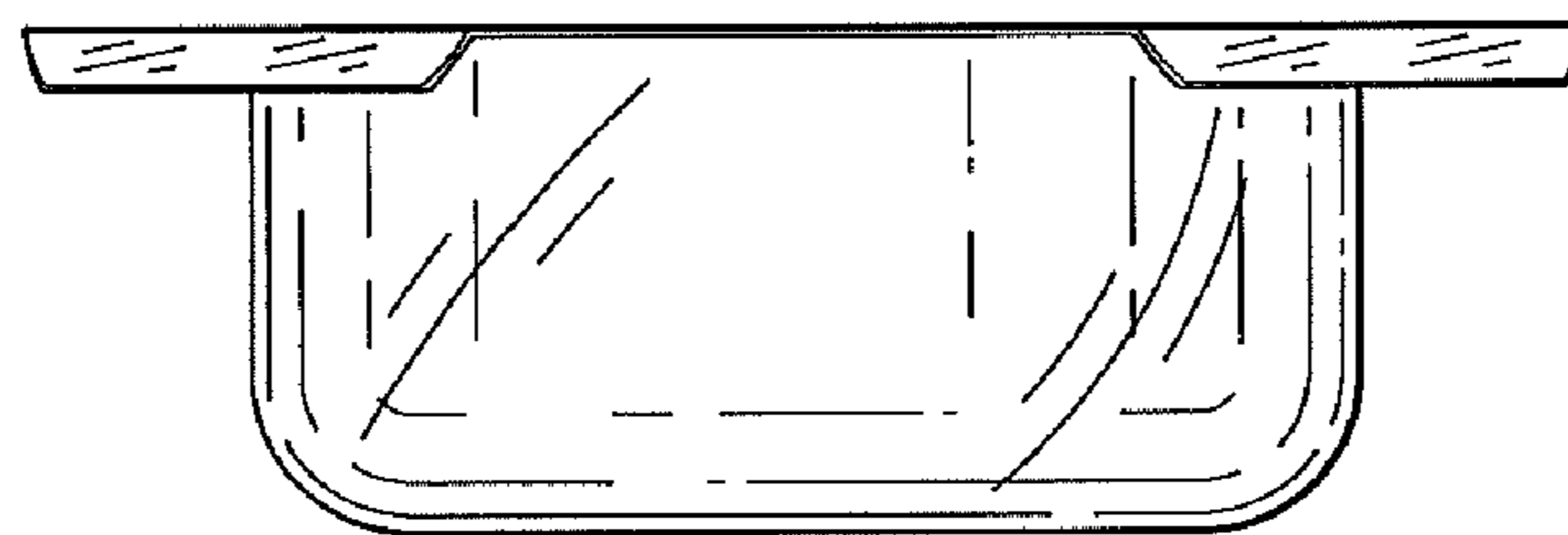


FIG. 36