



US00D634641S

(12) **United States Design Patent**
Berger et al.

(10) **Patent No.:** **US D634,641 S**

(45) **Date of Patent:** **** *Mar. 22, 2011**

(54) **CONTAINER WITH VIEWING WINDOW**

(75) Inventors: **Robert L. Berger**, Bound Brook, NJ
(US); **Michael L. Turini**, Cranford, NJ
(US)

(73) Assignee: **Schering Corporation**, Kenilworth, NJ
(US)

(*) Notice: This patent is subject to a terminal disclaimer.

(**) Term: **14 Years**

(21) Appl. No.: **29/327,289**

(22) Filed: **Nov. 3, 2008**

(51) **LOC (9) Cl.** **09-01**

(52) **U.S. Cl.** **D9/547; D9/558**

(58) **Field of Classification Search** D9/500,
D9/503, 516, 529, 547, 549, 553, 558, 569,
D9/572, 573, 574, 575, 723, 724; D23/366,
D23/369; D19/66, 70, 71; 401/9, 16, 18,
401/26, 123, 183, 191, 195, 202-207, 262-265;
215/11.1, 11.4, 11.6, 381-385
See application file for complete search history.

(56) **References Cited**

U.S. PATENT DOCUMENTS

2,249,832	A *	7/1941	Hubschman	222/420
D148,047	S *	12/1947	Burger	D9/558
2,772,704	A *	12/1956	McConnell et al.	141/24
3,361,304	A *	1/1968	Thompson	222/190
3,362,587	A *	1/1968	Postel	222/108
3,519,157	A *	7/1970	Meierhoefer	215/11.6
D224,203	S *	7/1972	Donoghue	D9/547
D275,231	S *	8/1984	Fuller	D24/197
D298,514	S *	11/1988	Dole et al.	D9/571
D300,265	S *	3/1989	Brown et al.	D28/7
D328,861	S *	8/1992	Crawford	D9/563
D336,046	S *	6/1993	Donoghue	D9/547

D338,159	S *	8/1993	Densky et al.	D9/724
5,330,081	A *	7/1994	Davenport	222/207
D355,844	S *	2/1995	Bishop et al.	D9/724
D374,613	S *	10/1996	Maxwell et al.	D9/694
D438,789	S *	3/2001	Choe et al.	D9/724
D466,553	S *	12/2002	Yan	D9/724
D498,146	S *	11/2004	Densky et al.	D9/571
D563,221	S *	3/2008	Ashiwa et al.	D9/500
D563,798	S *	3/2008	Gibson et al.	D9/724
D607,728	S *	1/2010	Berger et al.	D9/516
D607,729	S *	1/2010	Berger et al.	D9/516
D612,738	S *	3/2010	Bansal	D9/529
2003/0034322	A1 *	2/2003	Doherty et al.	215/228
2009/0162132	A1 *	6/2009	Veasey et al.	401/186

* cited by examiner

Primary Examiner — Stella M Reid

Assistant Examiner — Elizabeth J Oswecki

(74) *Attorney, Agent, or Firm* — Barry H. Jacobsen

(57) **CLAIM**

The ornamental design for a container with viewing window, as shown and described.

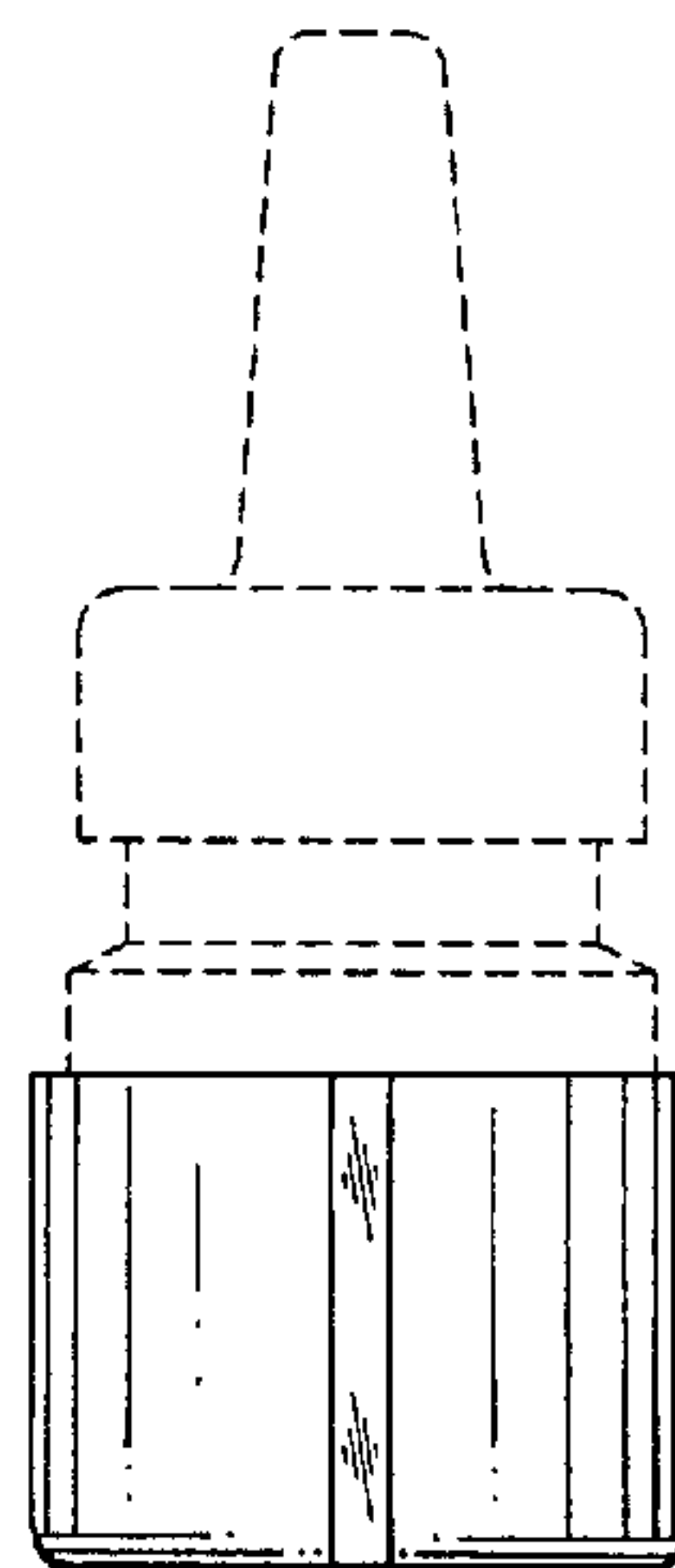
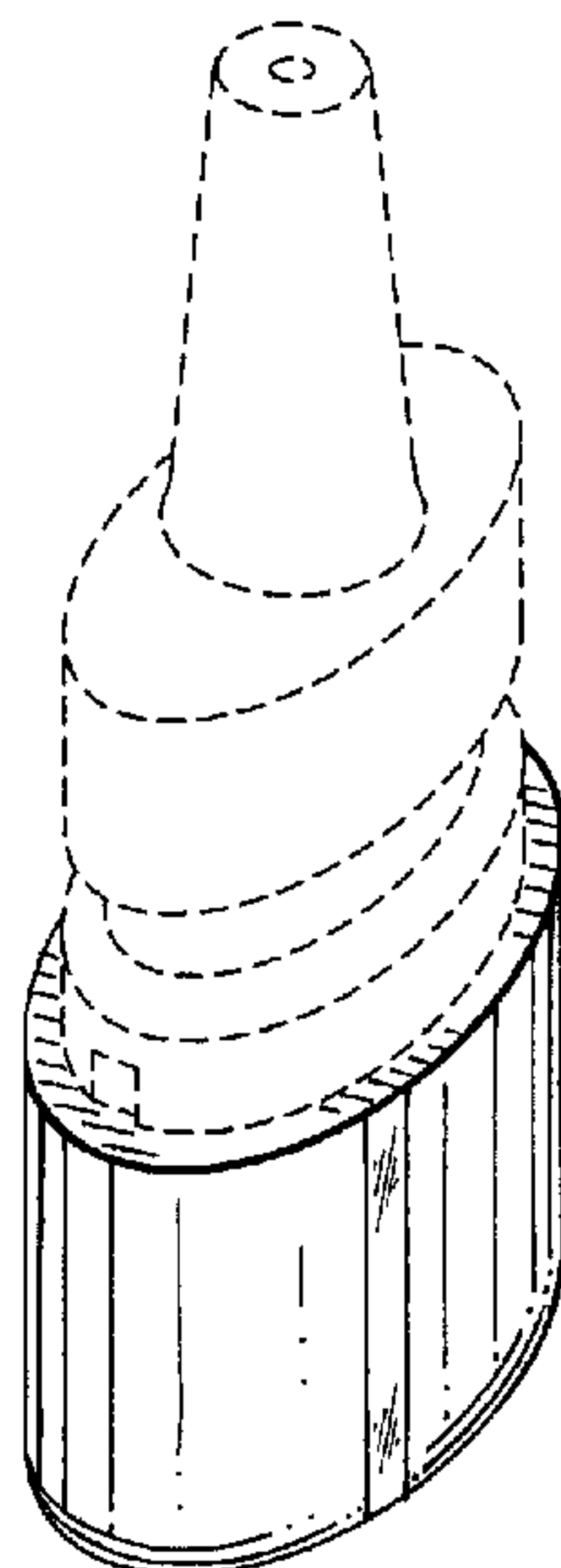
DESCRIPTION

FIG. 1 is a perspective view of a first embodiment of a container with viewing window showing our new design; FIG. 2 is a front elevational view thereof; FIG. 3 is a left side elevational view thereof, the right side being identical thereto; FIG. 4 is a top plan view thereof; FIG. 5 is a rear elevational view thereof; FIG. 6 is a perspective view of a second embodiment of a container with viewing window showing our new design; FIG. 7 is a front elevational view thereof; and, FIG. 8 is a rear elevational view thereof.

The broken line showing of a container dispenser in FIGS. 1-8 is included for the purpose of illustrating only and forms no part of the claimed invention.

All sides not shown form no part of the claimed design.

1 Claim, 2 Drawing Sheets



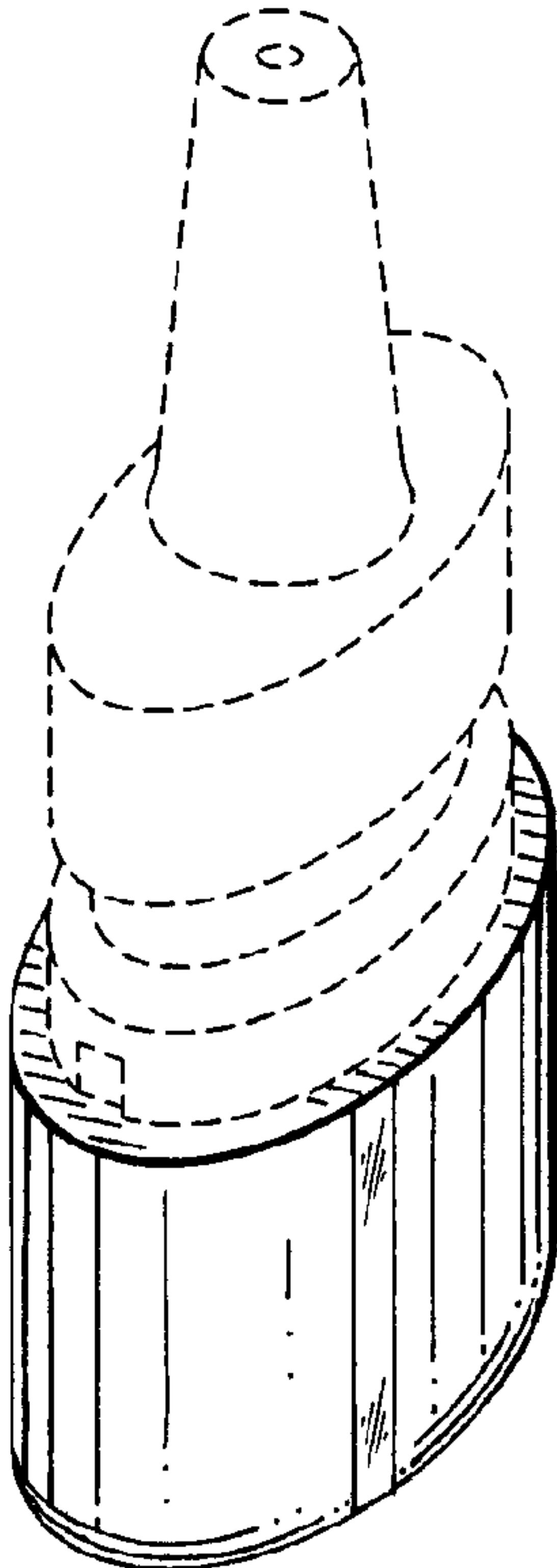


FIG. 1

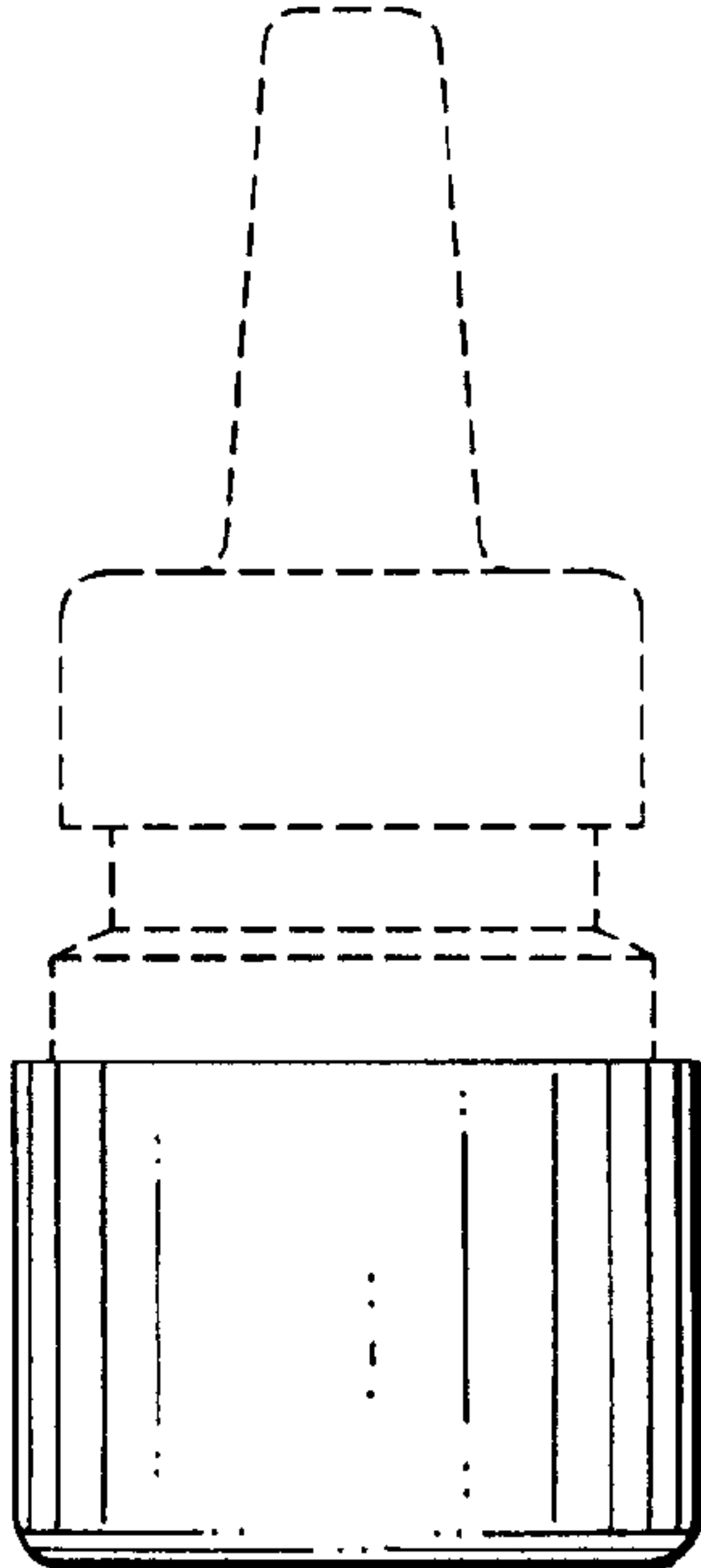


FIG. 5

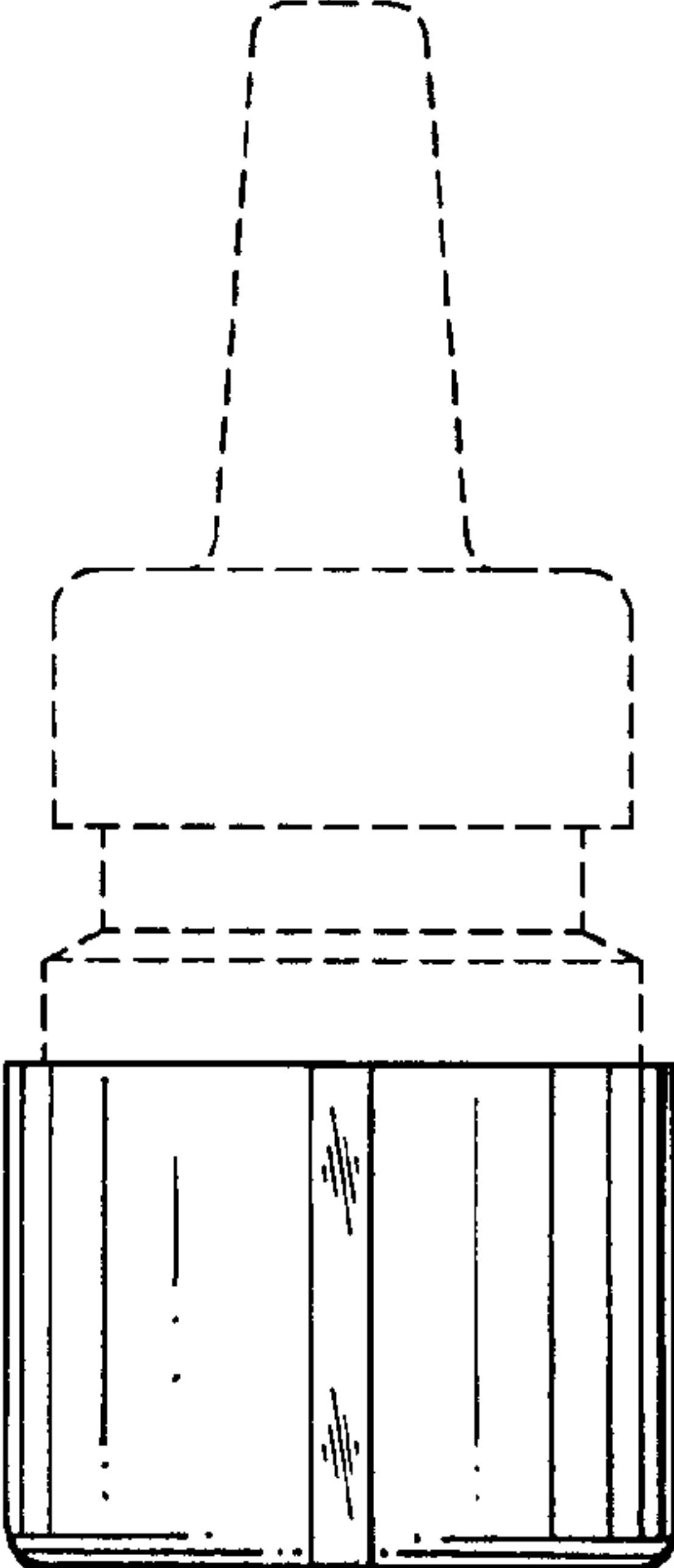


FIG. 2

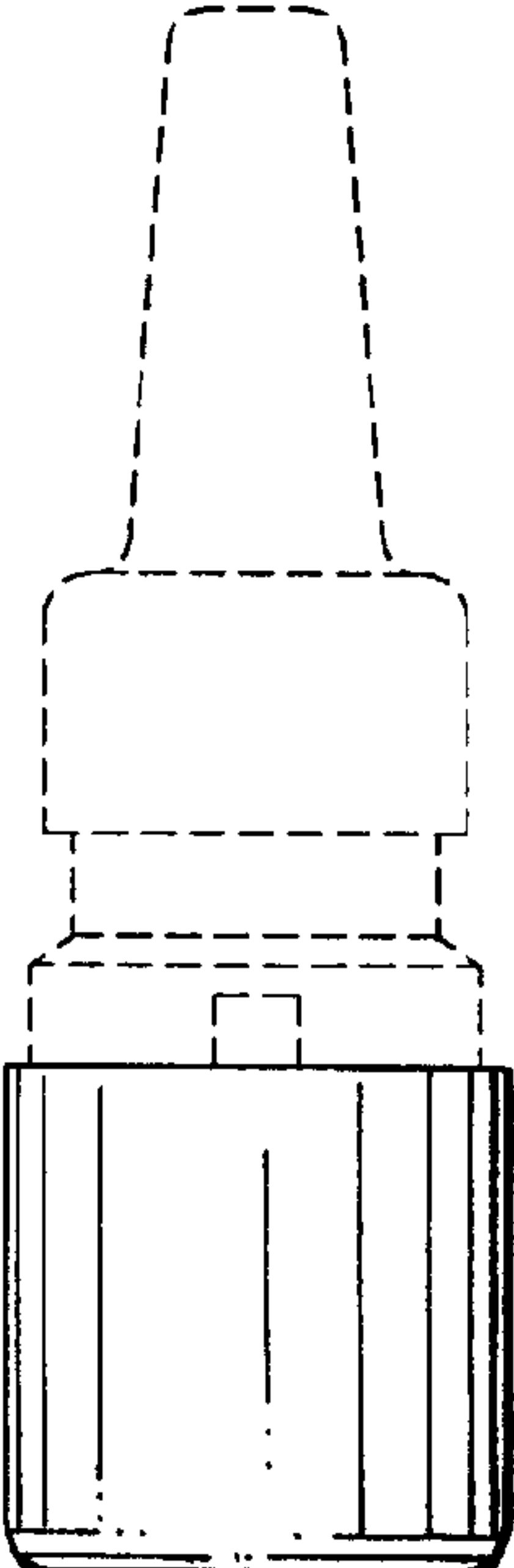


FIG. 3

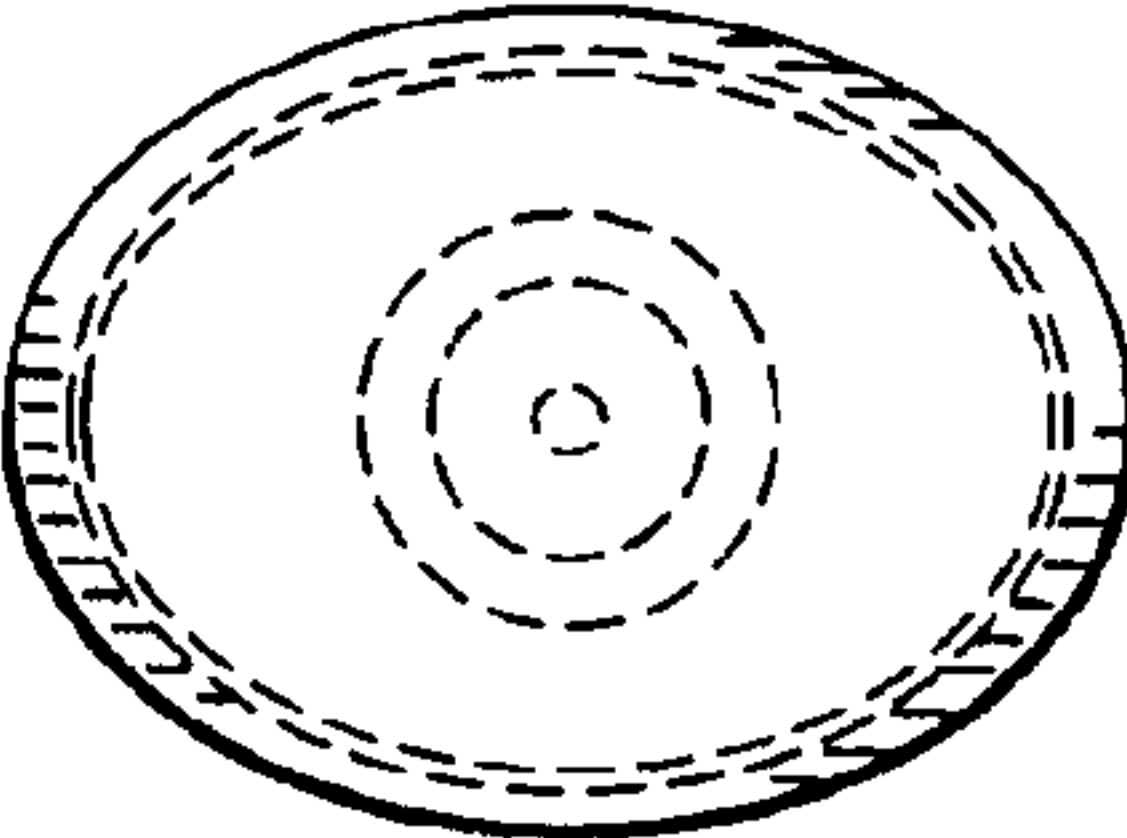


FIG. 4

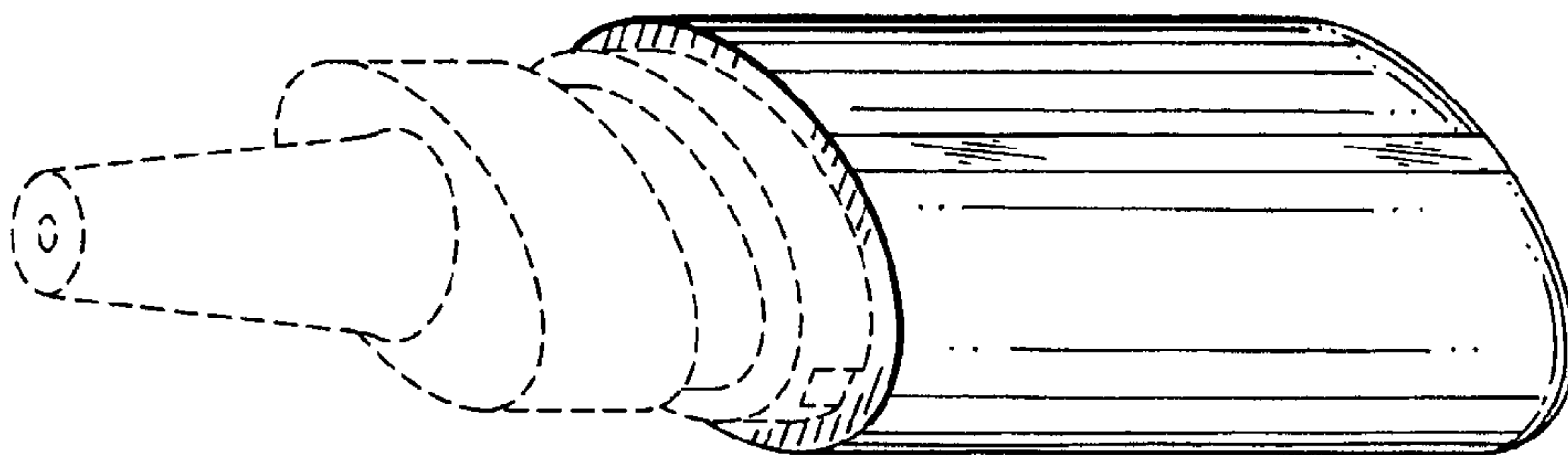


FIG. 6

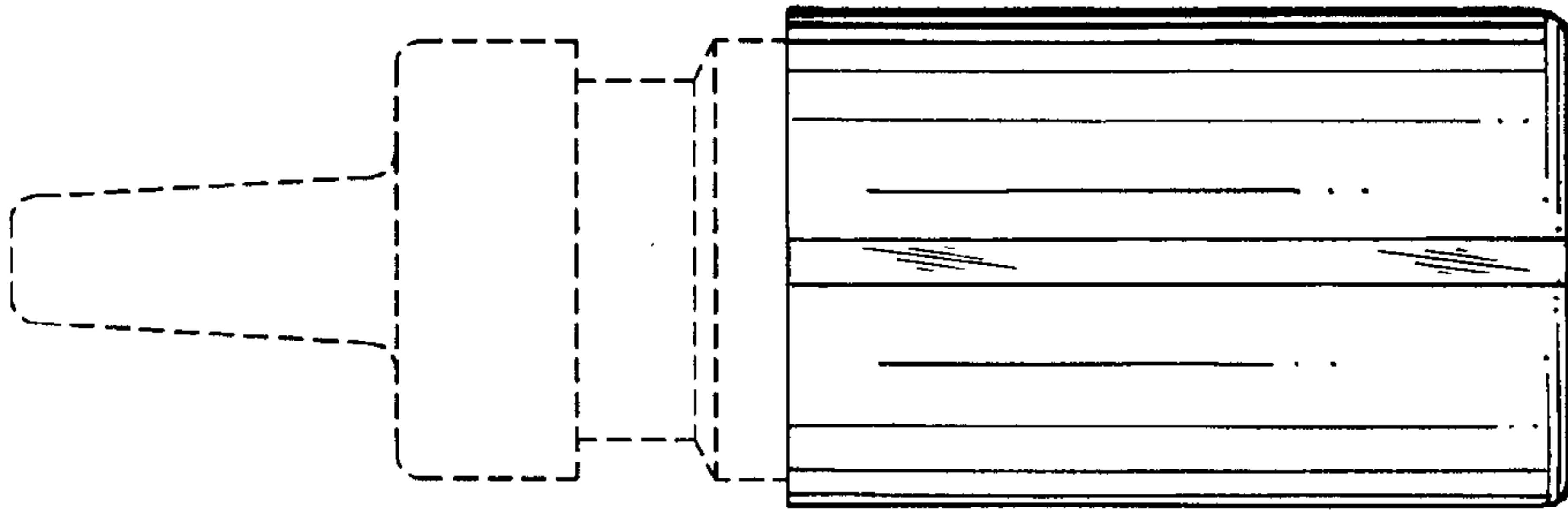


FIG. 7

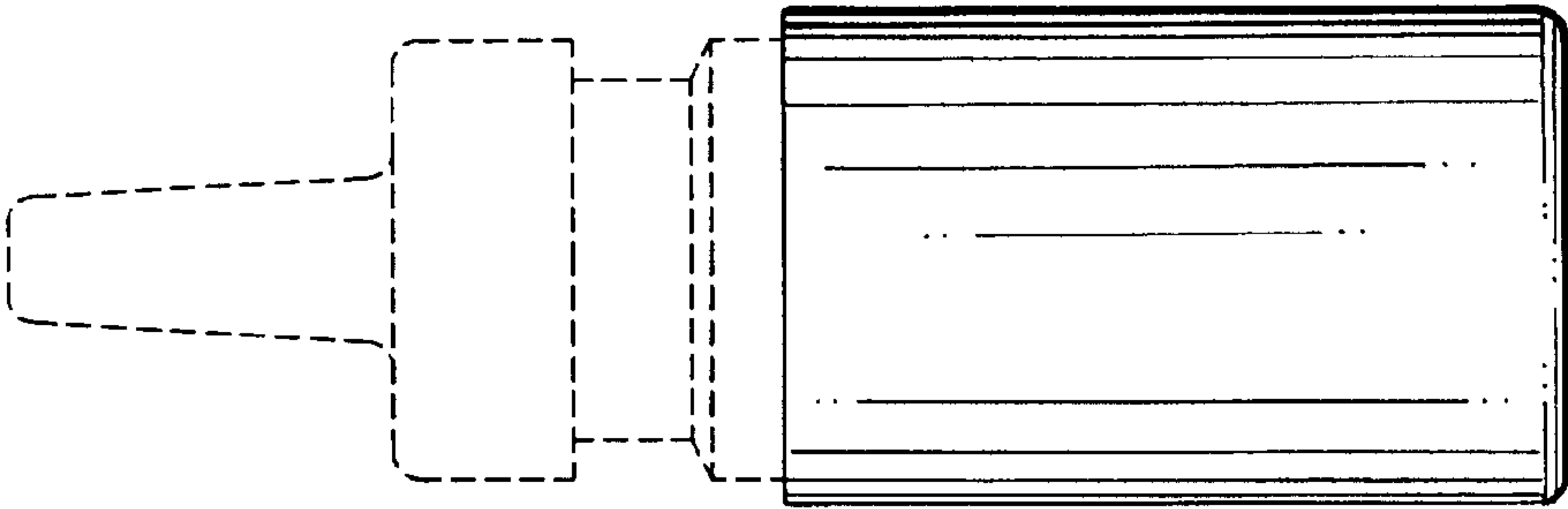


FIG. 8