



US00D634638S

(12) **United States Design Patent**  
**L'Abbate**

(10) **Patent No.:** **US D634,638 S**  
(45) **Date of Patent:** **\*\* Mar. 22, 2011**

(54) **FLASK**

(75) Inventor: **Frederico de Carvalho L'Abbate**, São Paulo (BR)

(73) Assignee: **Natura Cosméticos S.A.**, Itapeverica da Serra SP (BR)

(\*\*) Term: **14 Years**

(21) Appl. No.: **29/336,002**

(22) Filed: **Apr. 27, 2009**

(30) **Foreign Application Priority Data**

Oct. 29, 2008 (BR) ..... DI6804780

(51) **LOC (9) Cl.** ..... **09-01**

(52) **U.S. Cl.** ..... **D9/529**

(58) **Field of Classification Search** ..... D9/502-504,  
D9/516, 529, 530, 537, 540, 549, 434, 435;  
215/381-385; 220/662, 669; D28/4, 7, 8,  
D28/73, 76, 91

See application file for complete search history.

(56) **References Cited**

**U.S. PATENT DOCUMENTS**

D373,084 S *	8/1996	Choi	.....	D9/504
D432,722 S *	10/2000	Wardlaw	.....	D28/76
D477,225 S *	7/2003	Pinnavaia	.....	D9/454
D484,644 S *	12/2003	Noh	.....	D28/76
D485,016 S *	1/2004	Noh	.....	D28/76
D485,017 S *	1/2004	Noh	.....	D28/76
D486,393 S *	2/2004	Chuang	.....	D9/503
D504,542 S *	4/2005	Noh	.....	D28/76
D509,434 S *	9/2005	Haruta	.....	D9/504

D525,131 S *	7/2006	Davies et al.	.....	D9/504
D532,935 S *	11/2006	Kostow	.....	D28/76
D532,937 S *	11/2006	Noh	.....	D28/76
D539,480 S *	3/2007	Kostow	.....	D28/76
D560,495 S *	1/2008	Mettler et al.	.....	D9/504
D570,221 S *	6/2008	Moretti	.....	D9/529
D581,279 S *	11/2008	Oates	.....	D9/529
D588,011 S *	3/2009	Shimizu	.....	D9/552
D592,956 S *	5/2009	Thiellier	.....	D9/504
D595,577 S *	7/2009	Uneno	.....	D9/504
D595,578 S *	7/2009	Del Tedesco Zamberlan et al.	.....	D9/504
D601,022 S *	9/2009	Zamberlan et al.	.....	D9/503
D610,905 S *	3/2010	Jones	.....	D9/434
D611,354 S *	3/2010	Usui et al.	.....	D9/529
D612,954 S *	3/2010	Perko	.....	D25/122
D616,748 S *	6/2010	Nakamura et al.	.....	D9/503

\* cited by examiner

*Primary Examiner* — Stella M Reid

*Assistant Examiner* — Keli L Hill

(74) *Attorney, Agent, or Firm* — B. Aaron Schulman; Stites & Harbison, PLLC

(57) **CLAIM**

The ornamental design for a flask, as shown and described.

**DESCRIPTION**

FIG. 1 is a perspective top, front and right view showing the new design;

FIG. 2 is a back view thereof.

FIG. 3 is a front view thereof.

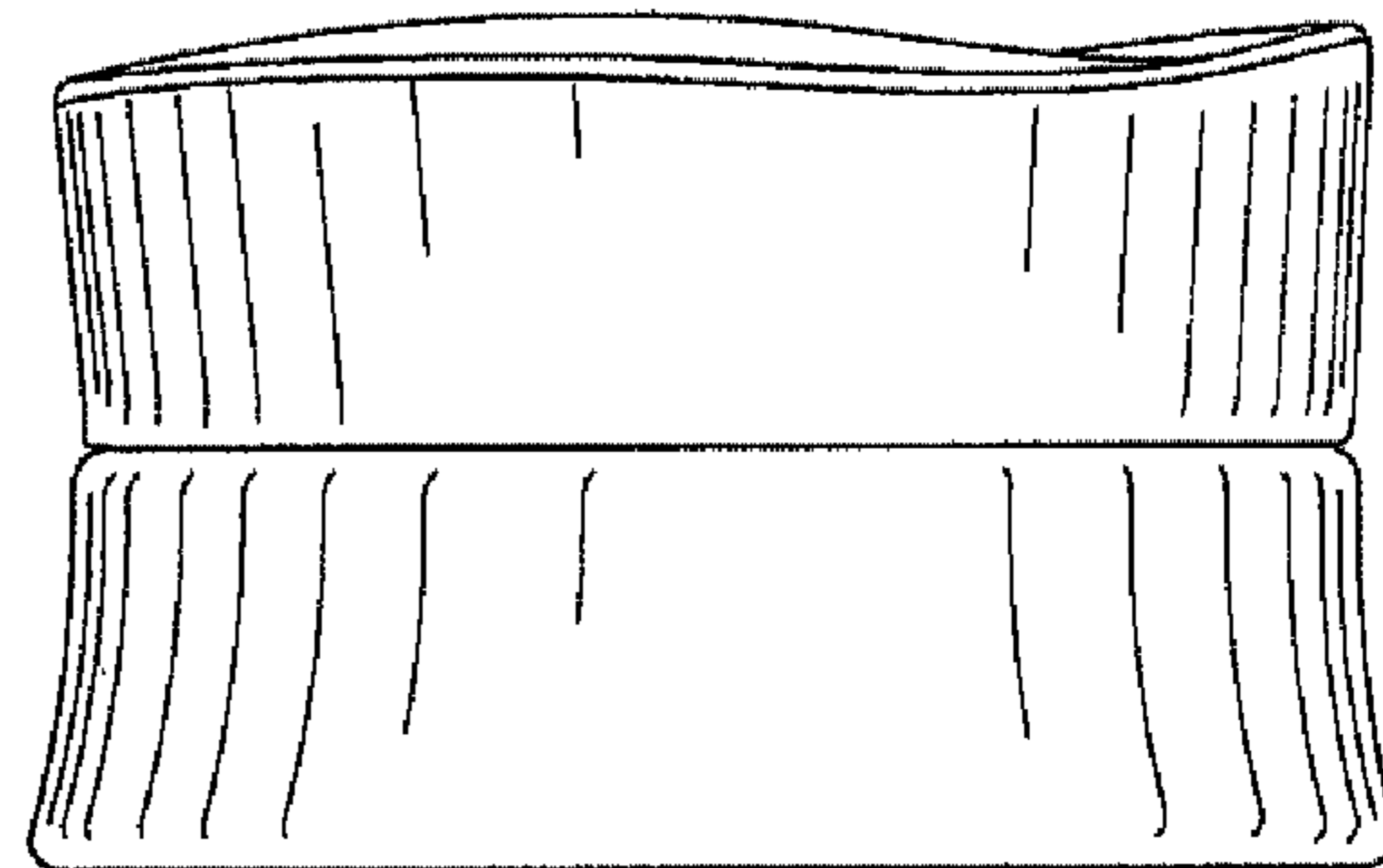
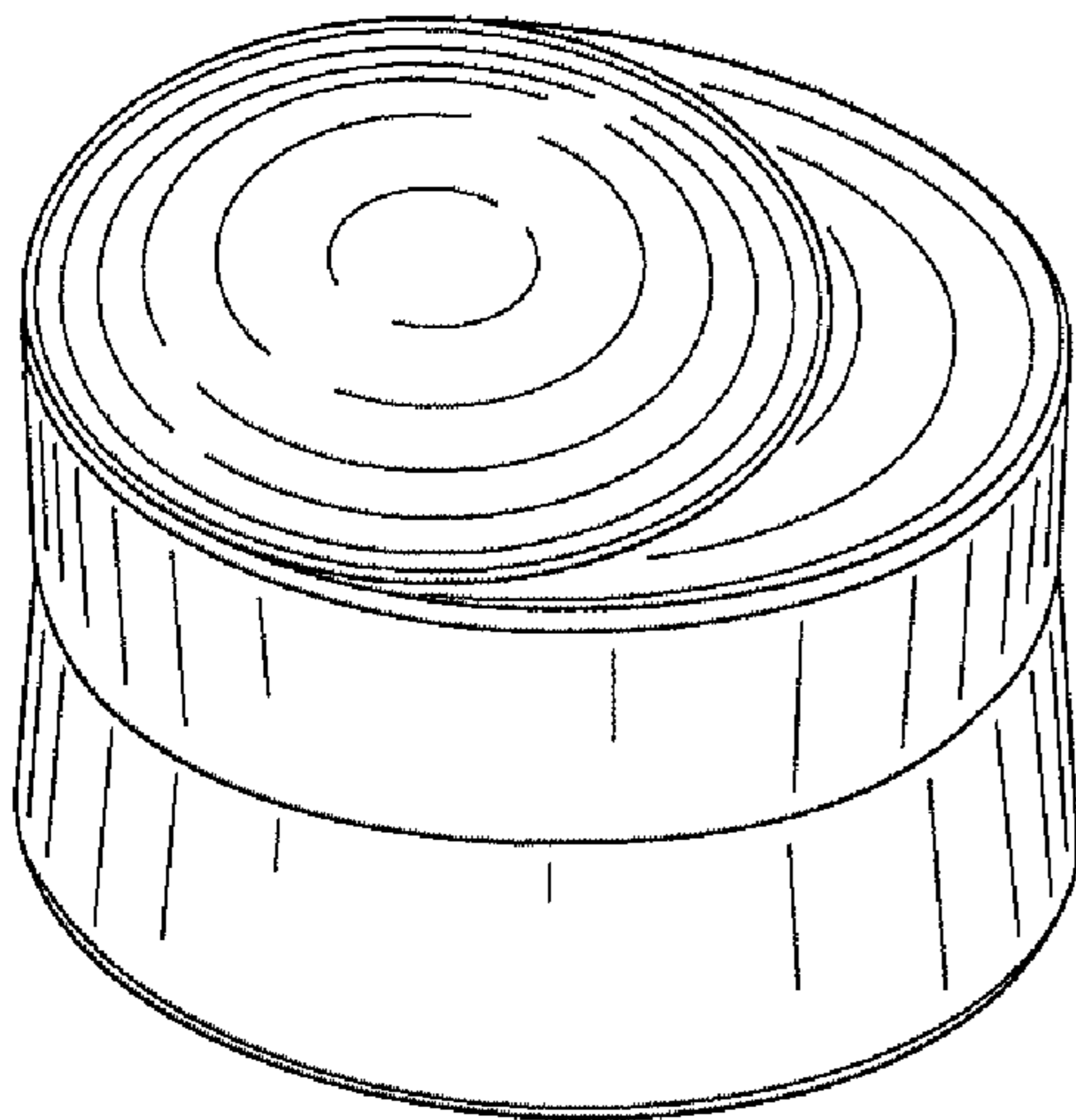
FIG. 4 is a right side view thereof.

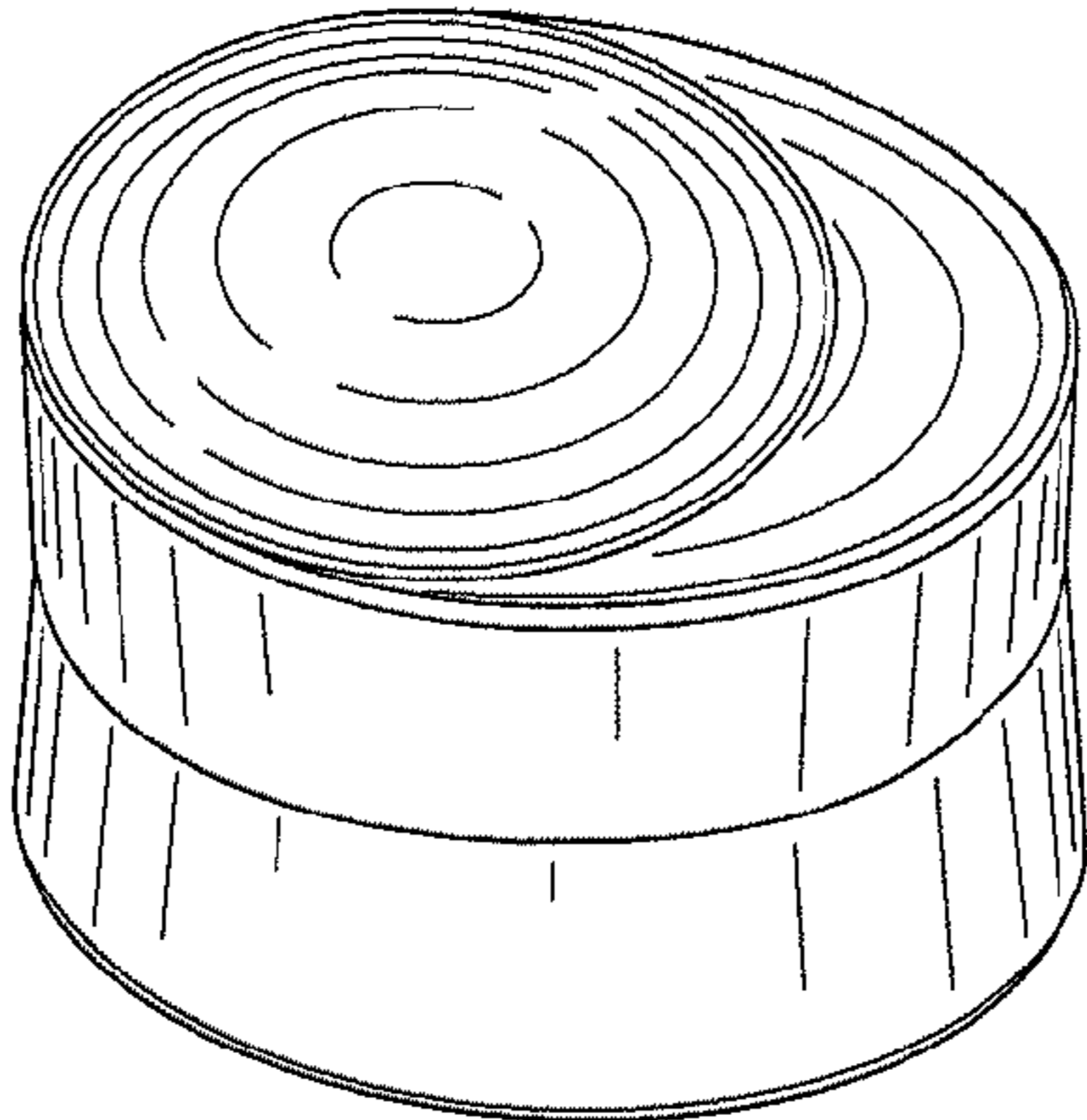
FIG. 5 is a left side view thereof.

FIG. 6 is a top view thereof; and,

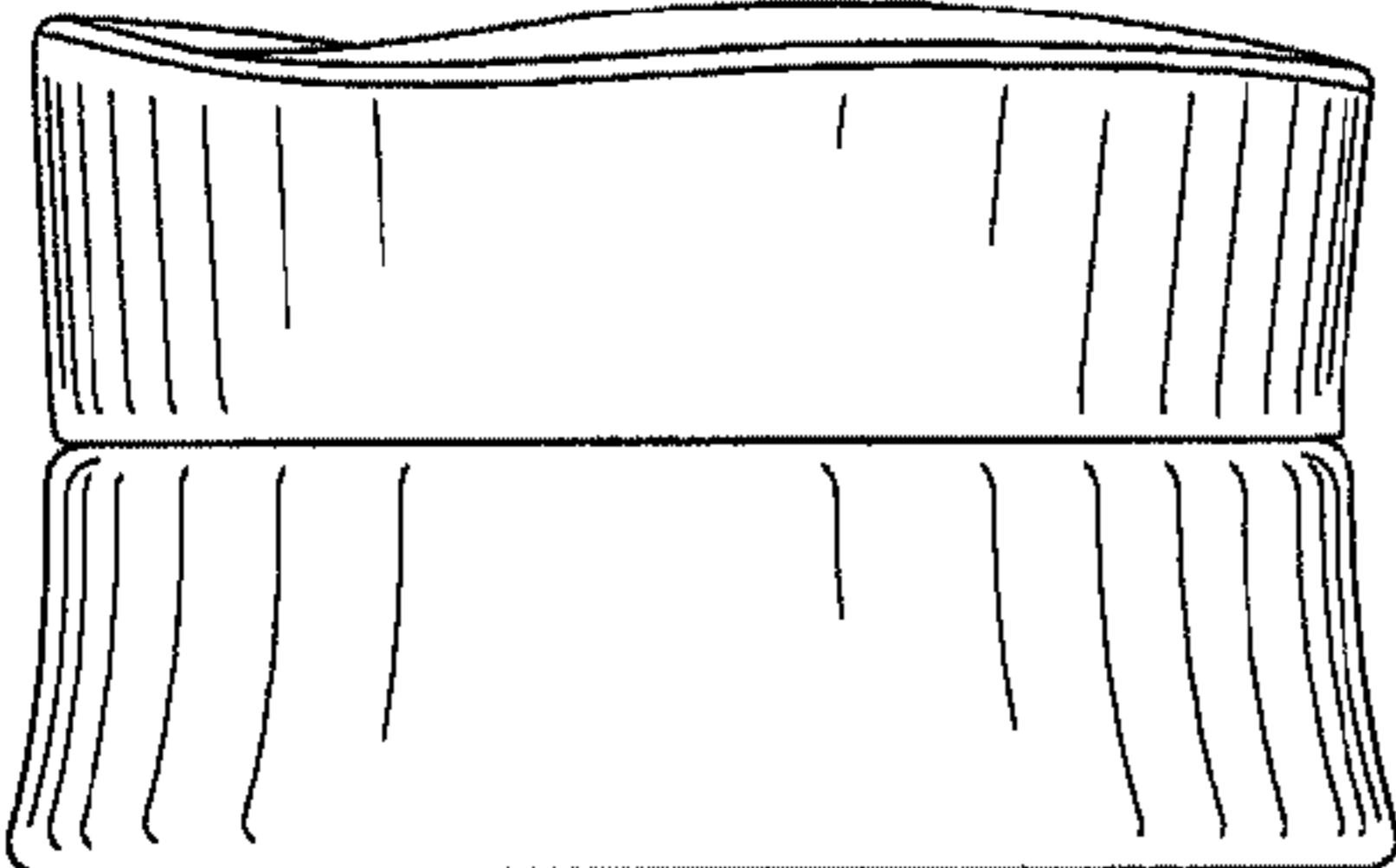
FIG. 7 is a bottom view thereof.

**1 Claim, 1 Drawing Sheet**

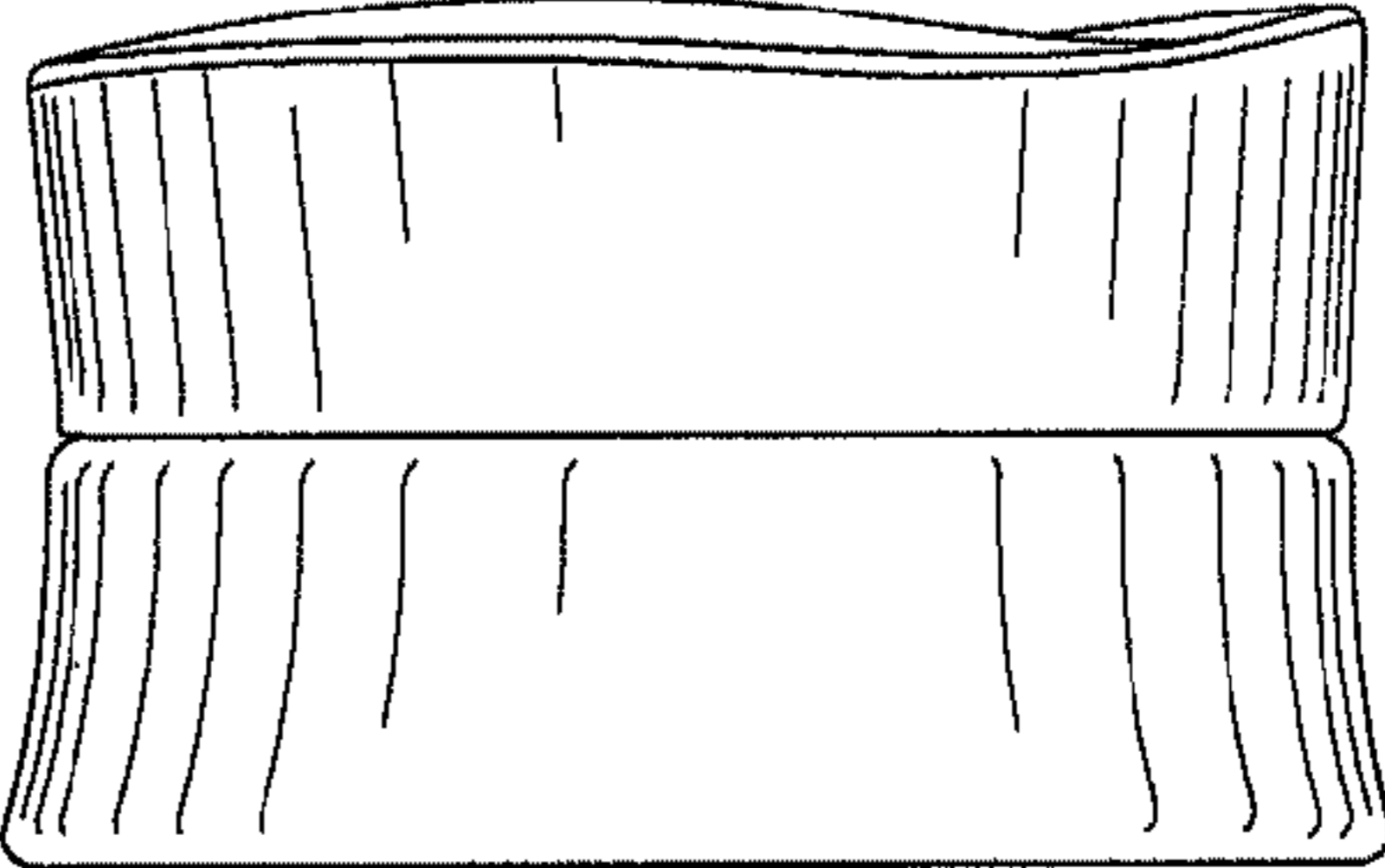




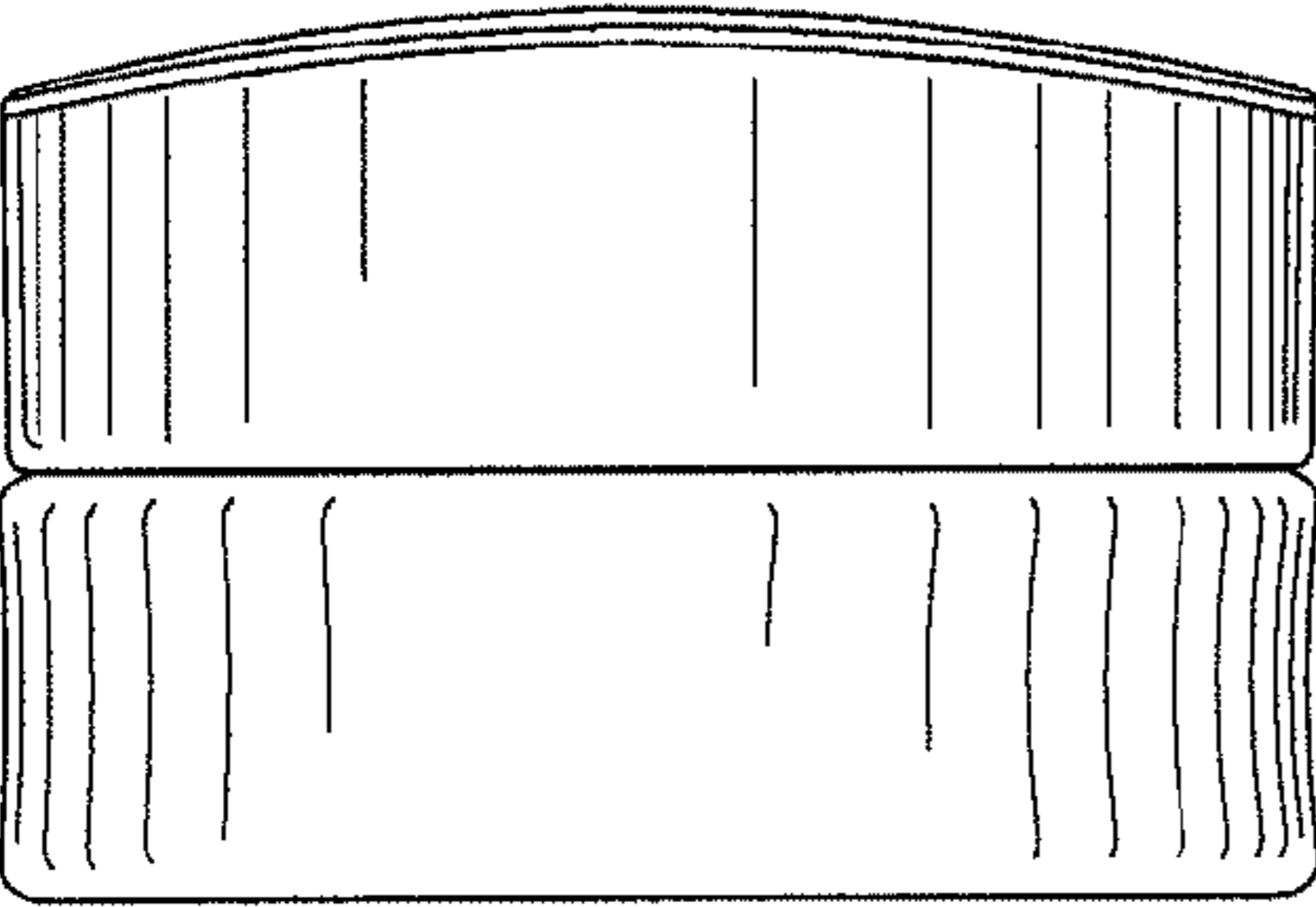
*Fig.1*



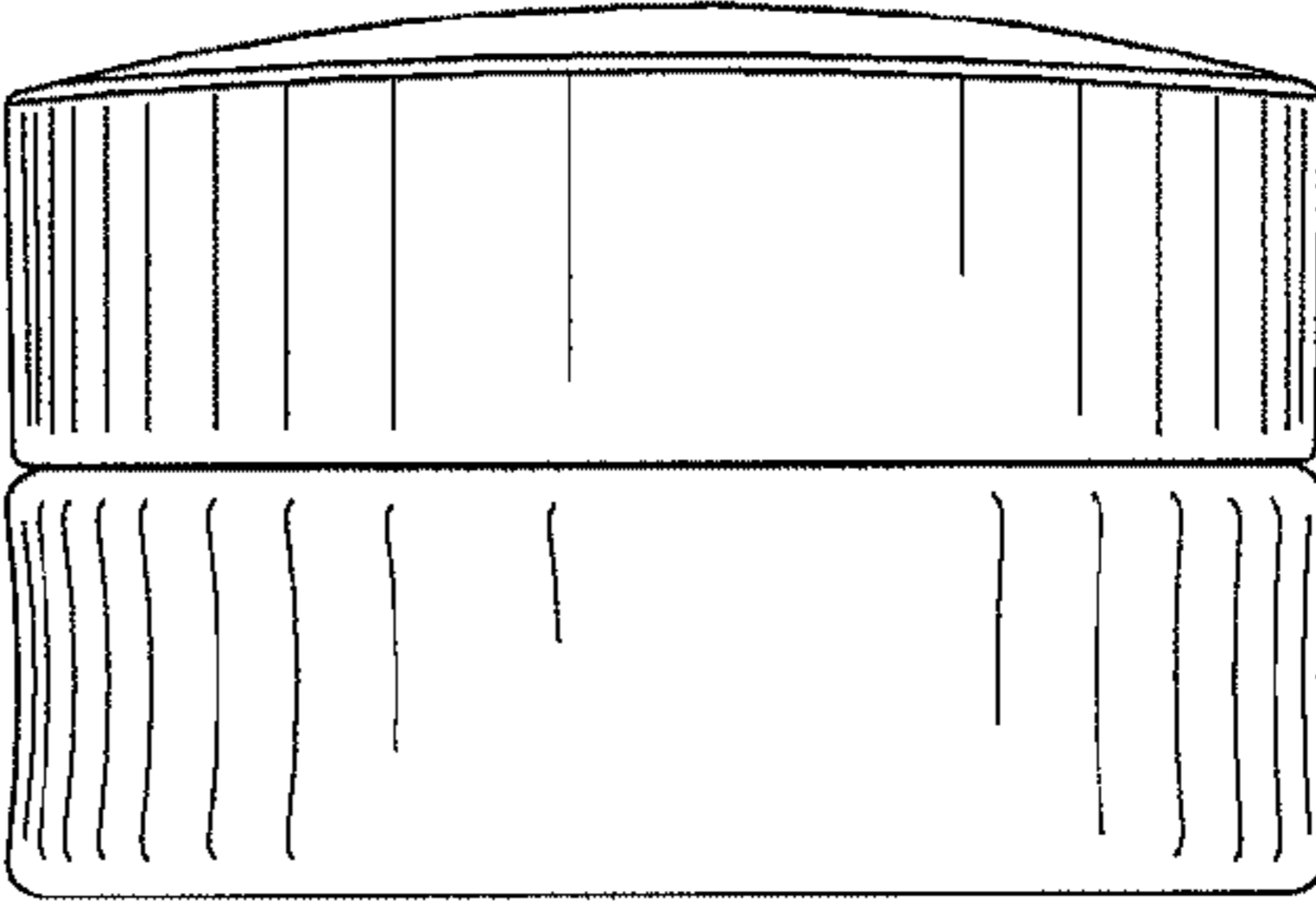
*Fig.2*



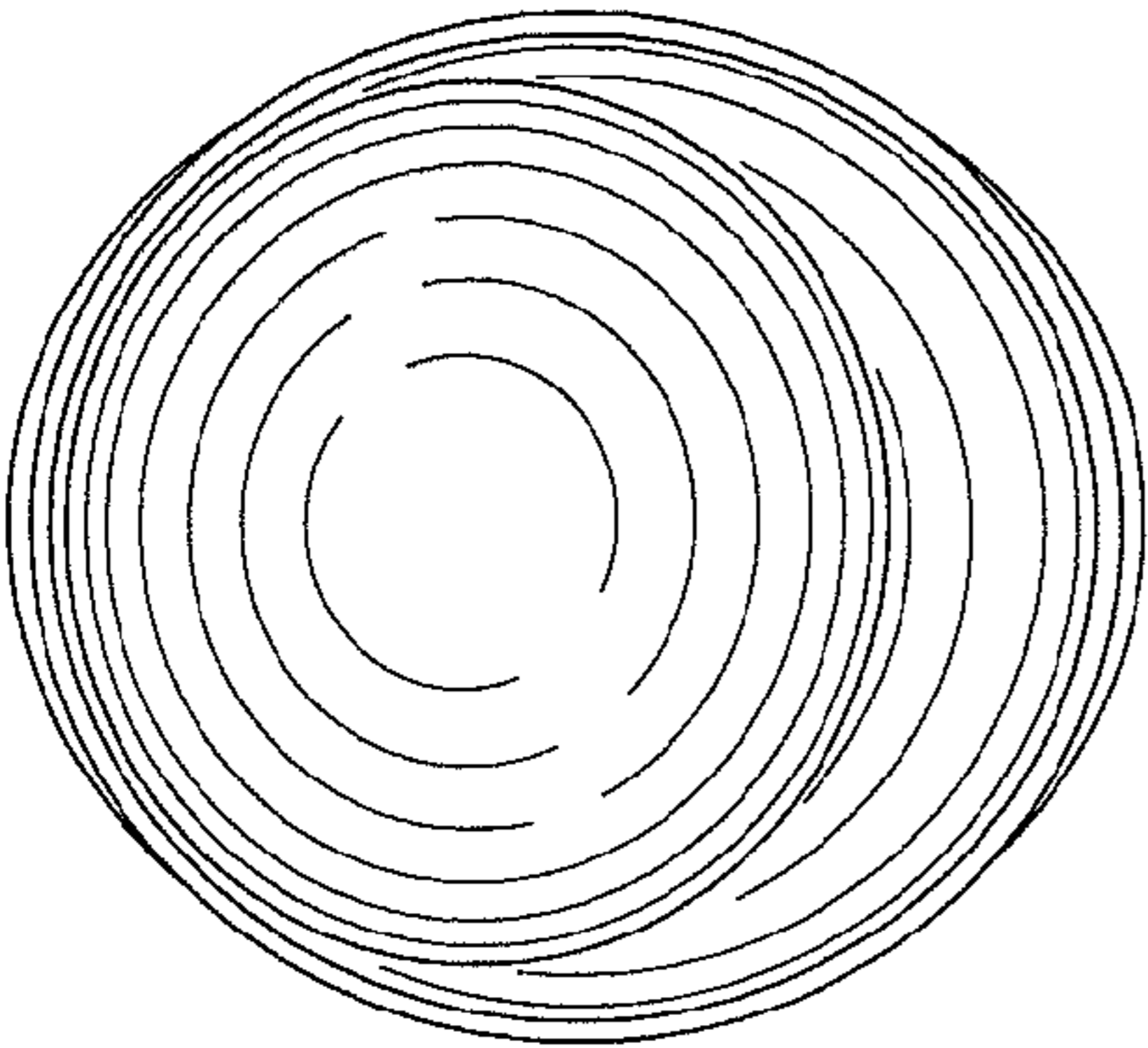
*Fig.3*



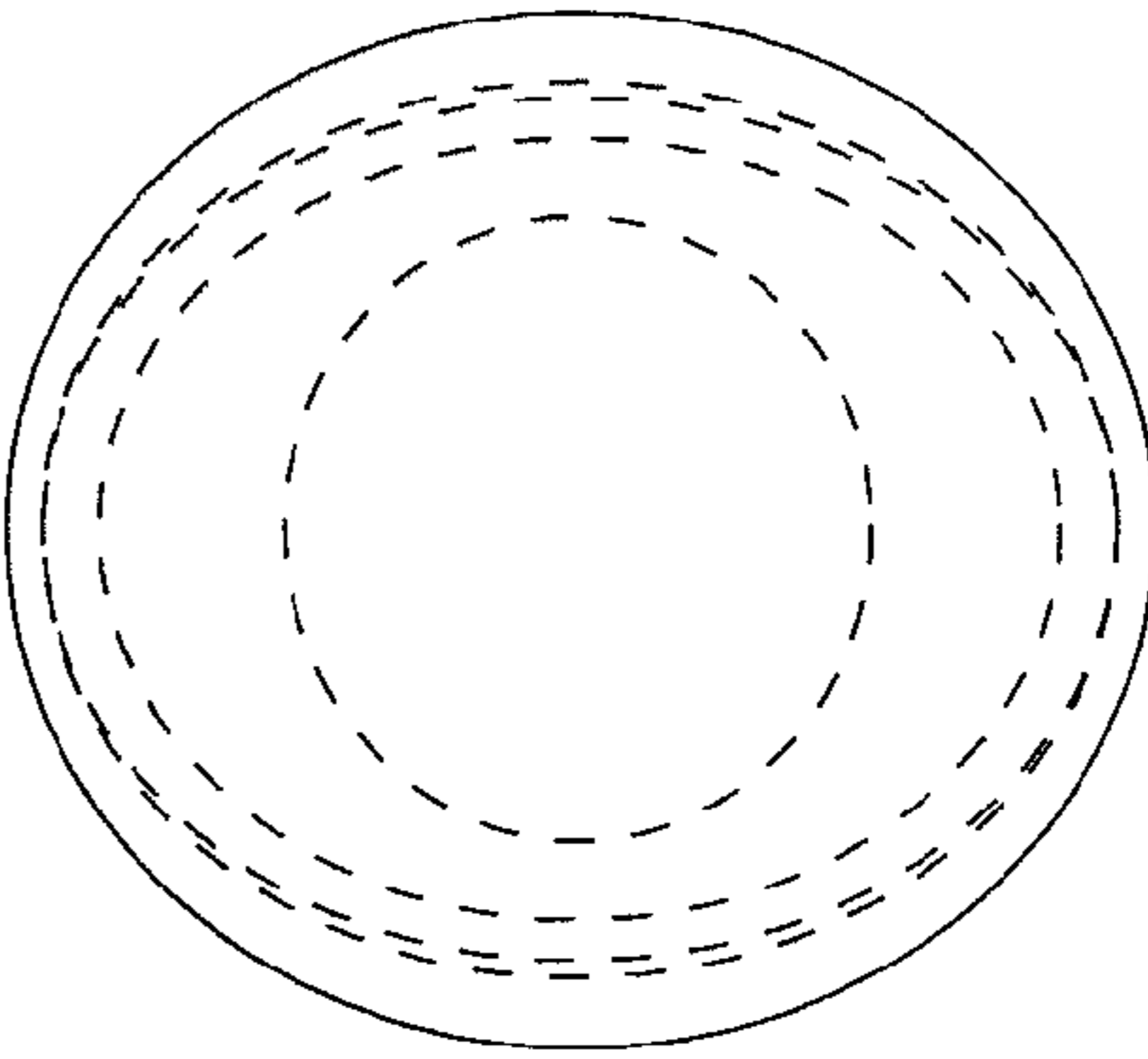
*Fig.4*



*Fig.5*



*Fig.6*



*Fig.7*