



US00D634637S

(12) **United States Design Patent**
Gentil

(10) **Patent No.:** **US D634,637 S**

(45) **Date of Patent:** **** Mar. 22, 2011**

(54) **FLASK**

(75) **Inventor:** **Elodie Gentil, Clichy (FR)**

(73) **Assignee:** **SGD S.A., Puteaux (FR)**

(**) **Term:** **14 Years**

(21) **Appl. No.:** **29/333,853**

(22) **Filed:** **Mar. 16, 2009**

(30) **Foreign Application Priority Data**

Sep. 17, 2008 (EM) 001004295-0002

(51) **LOC (9) Cl.** **09-01**

(52) **U.S. Cl.** **D9/522; D9/544; D9/563; D9/564; D9/575**

(58) **Field of Classification Search** D9/516,
D9/520, 522, 544, 546, 551, 559, 563, 564,
D9/565, 572, 575; 215/379, 381-385; 220/600,
220/604, 605, 606, 608, 609, 623, 624, 660,
220/669, 674, 675

See application file for complete search history.

(56) **References Cited**

U.S. PATENT DOCUMENTS

D21,728 S *	7/1892	Fraser	D9/542
D35,558 S *	1/1902	Kiefer	D9/545
D40,666 S *	4/1910	Hoff	D9/563
D49,236 S *	6/1916	Vivaudou	D9/544
1,267,717 A *	5/1918	Vancem	220/662
D189,373 S *	11/1960	Lerner	D9/539
D200,442 S *	2/1965	Lorenzen	D9/564
D205,554 S *	8/1966	St. Clair	D9/545
3,325,031 A *	6/1967	Singier	215/247
D213,355 S *	2/1969	Knenplar	D9/558
D215,086 S *	9/1969	Heintze	D9/542
3,536,223 A *	10/1970	Hammes et al.	215/383
D225,155 S *	11/1972	Schafer	D9/542

3,940,011 A *	2/1976	Dubois et al.	220/604
D239,368 S *	3/1976	McDonald	D9/558
D242,126 S *	11/1976	Morres	D9/558
D246,953 S *	1/1978	Britt	D9/542
D247,700 S *	4/1978	Garazi	D9/563
D254,652 S *	4/1980	Shortino	D9/574
D280,698 S *	9/1985	Martin et al.	D9/645
D286,017 S *	10/1986	Ariotti	D9/645
D353,775 S *	12/1994	Thompson	D9/545
D378,665 S *	4/1997	Fenton et al.	D9/558
D386,090 S *	11/1997	de Giovellina	D9/544
D387,994 S *	12/1997	Heinz	D9/545
D393,596 S *	4/1998	Kotyuk	D9/558
D417,624 S *	12/1999	Herrmann et al.	D9/575
D434,663 S *	12/2000	Jones et al.	D9/516
D495,961 S *	9/2004	Bakic	D9/563
D513,592 S *	1/2006	O'Day	D9/519
7,036,684 B1 *	5/2006	Hantman et al.	222/94
D587,591 S *	3/2009	Crawford	D9/563
7,568,588 B2 *	8/2009	Yourist	215/381
2006/0249518 A1 *	11/2006	Festa	220/669

* cited by examiner

Primary Examiner — Stella M Reid

Assistant Examiner — Elizabeth J Oswecki

(74) *Attorney, Agent, or Firm* — Oblon, Spivak, McClelland, Maier & Neustadt, L.L.P.

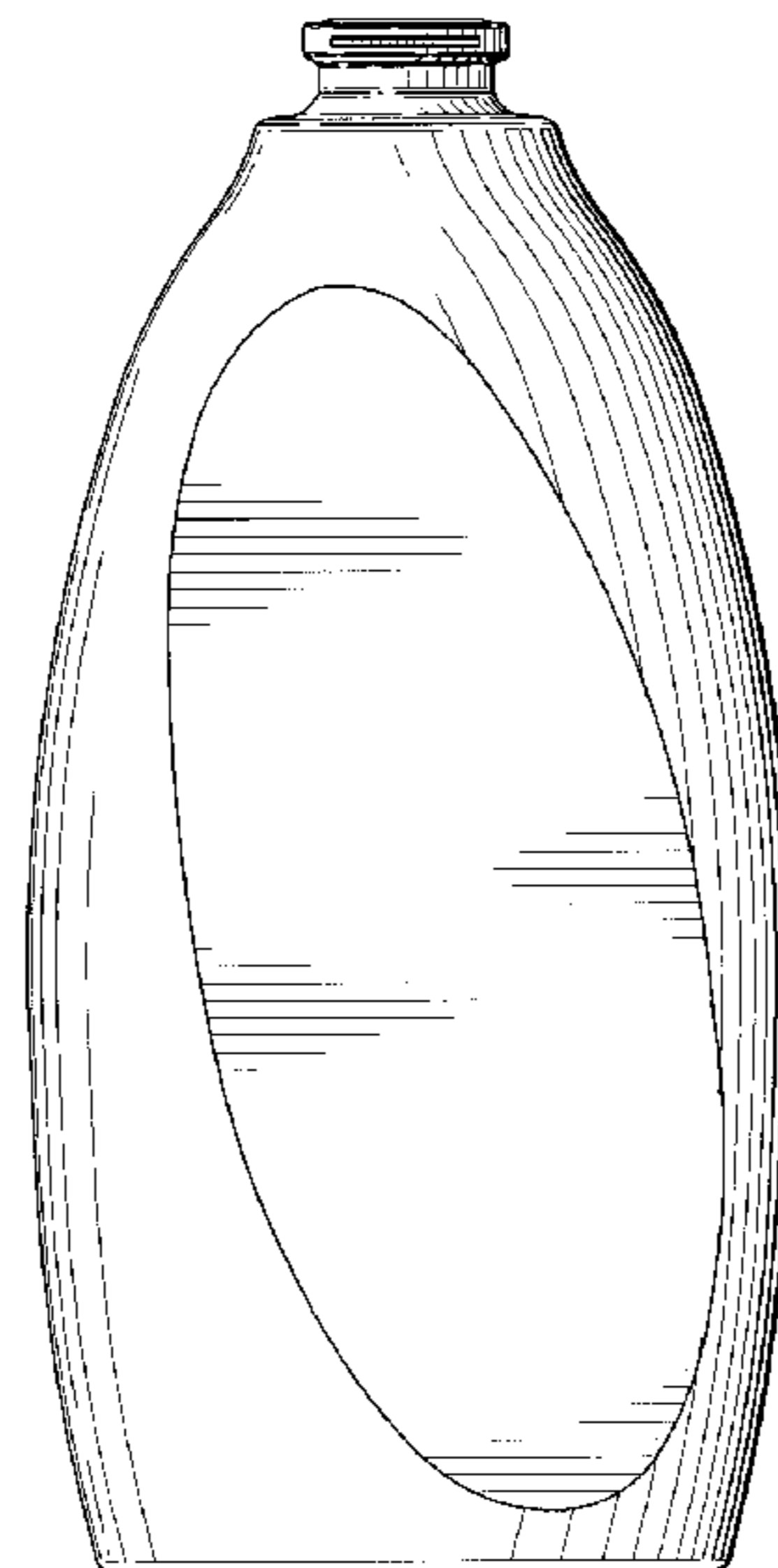
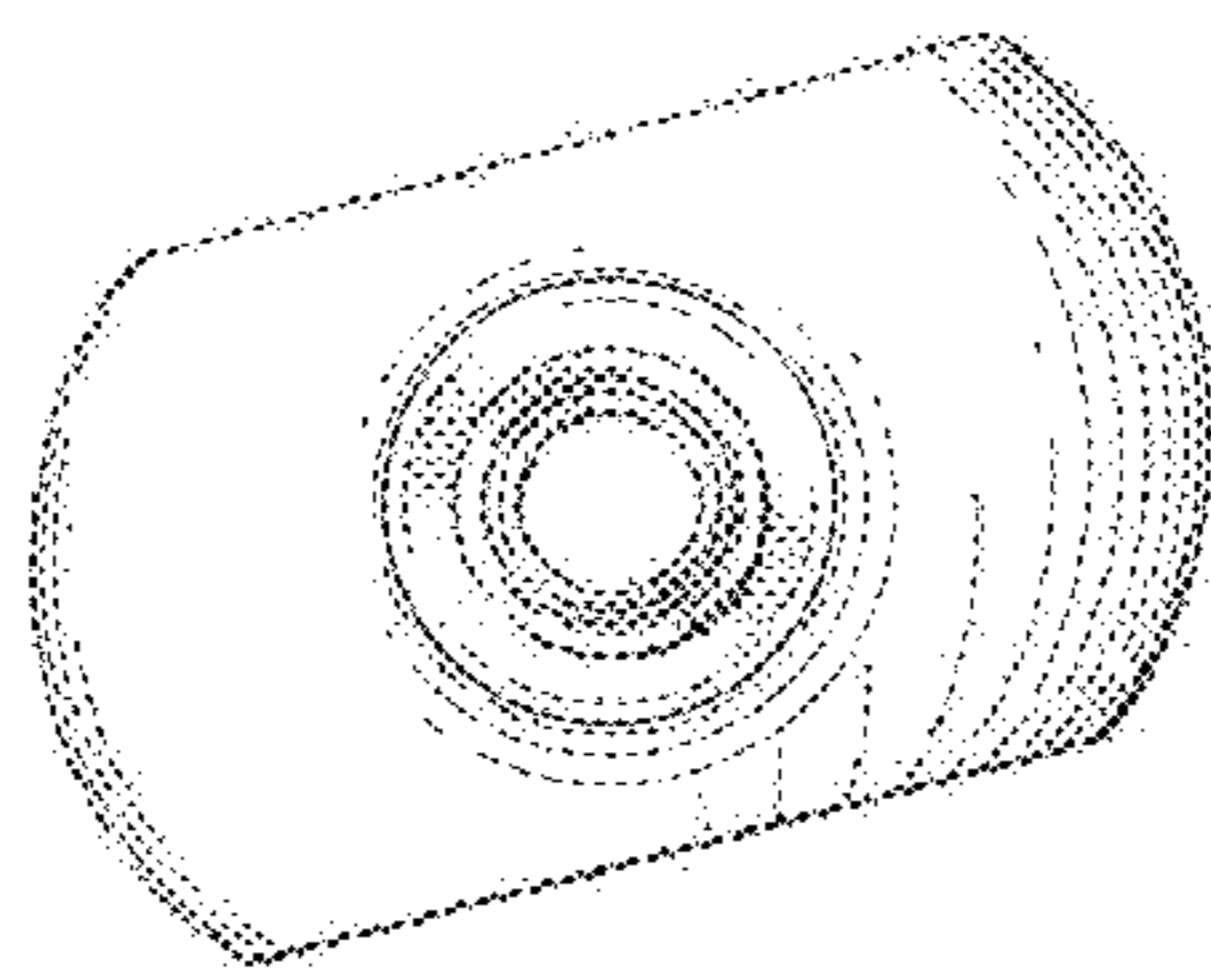
(57) **CLAIM**

The ornamental design for a flask, as shown and described.

DESCRIPTION

FIG. 1 is a bottom view of a flask showing my new design; FIG. 2 is a top view thereof; FIG. 3 is a front elevational view thereof; and, FIG. 4 is a left side perspective view thereof. The broken lines in the drawings depict environmental subject matter only and form no part of the claimed design. All sides not shown form no part of the claimed design.

1 Claim, 3 Drawing Sheets



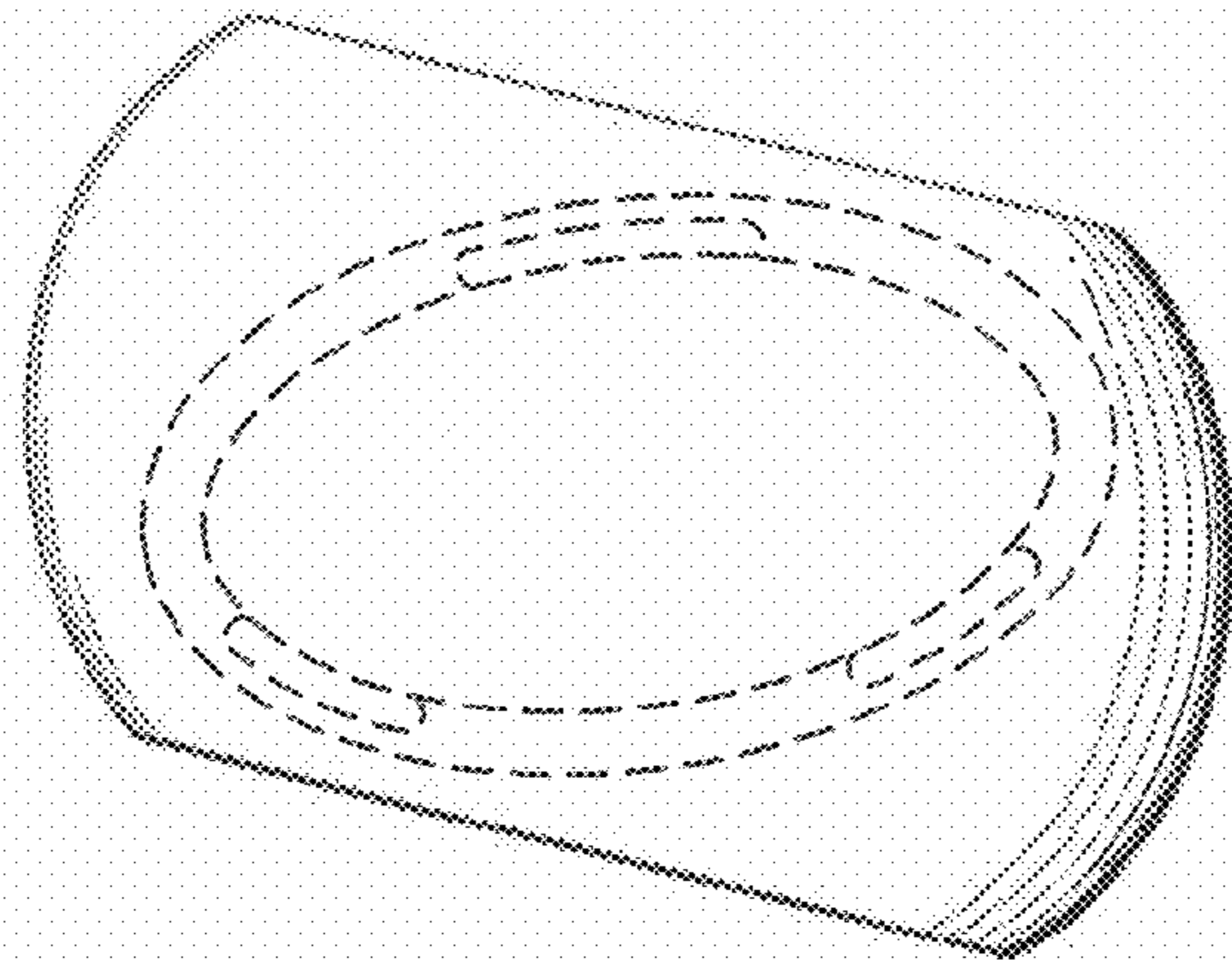


Fig. 1

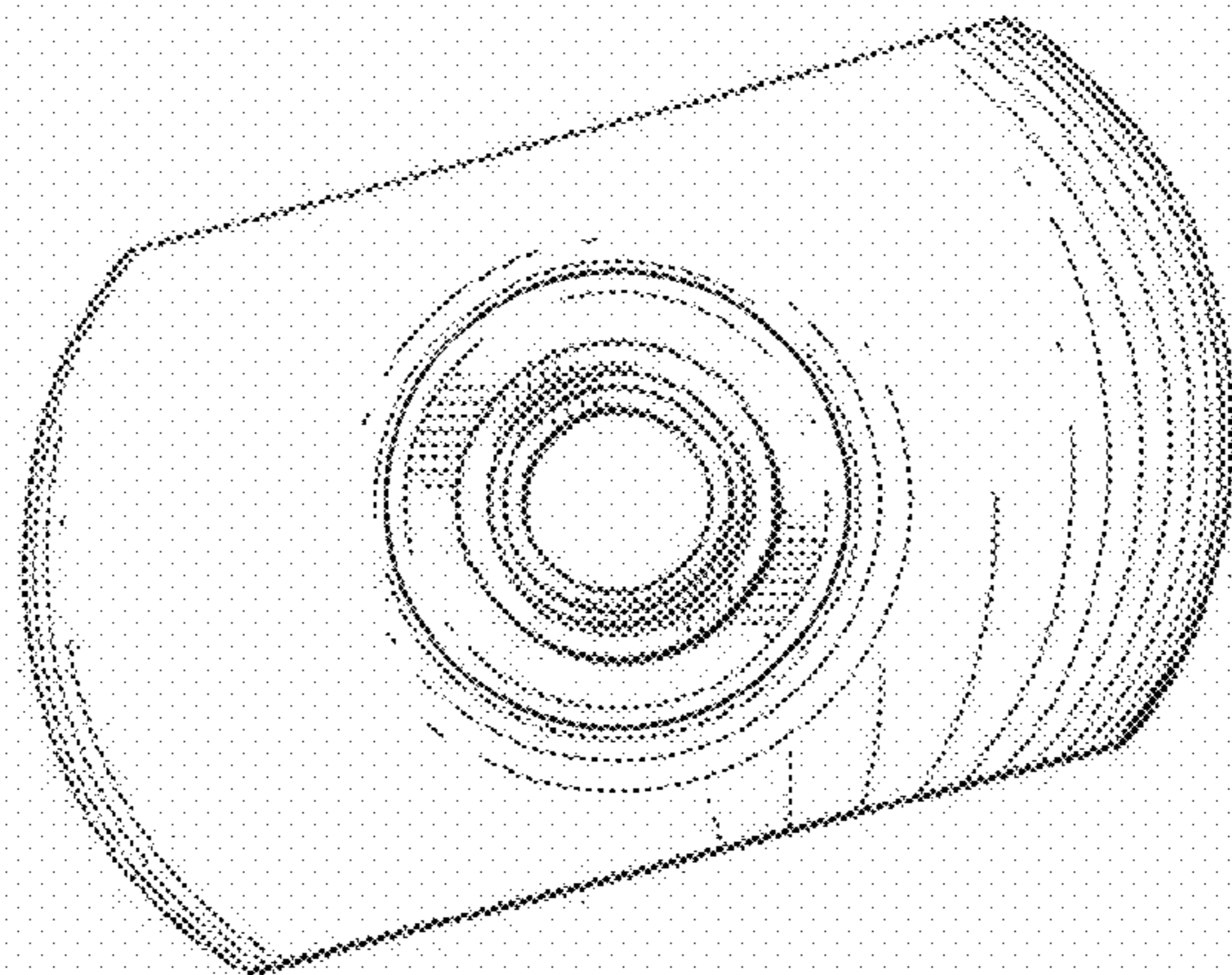


Fig. 2

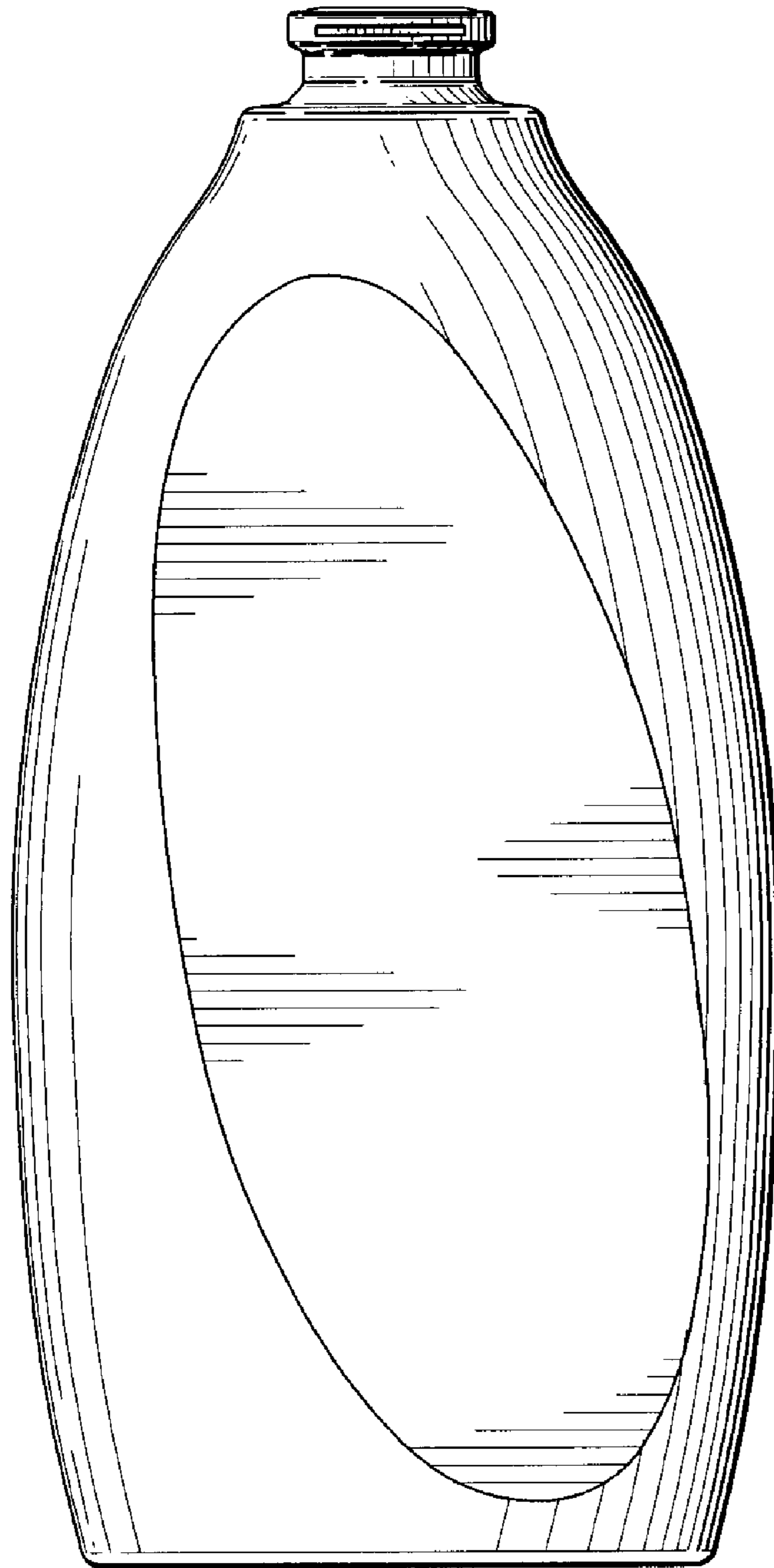


Fig. 3

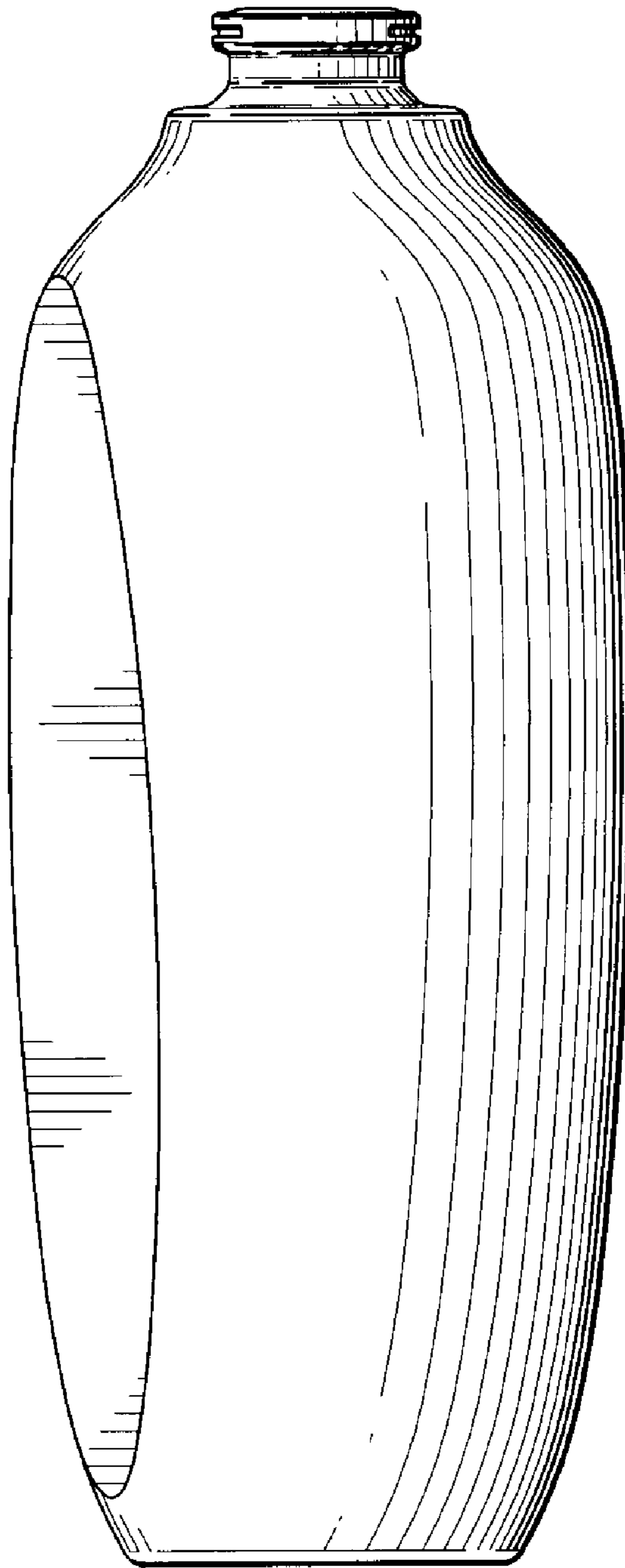


Fig. 4