



US00D634634S

(12) **United States Design Patent**
Jones

(10) **Patent No.:** **US D634,634 S**

(45) **Date of Patent:** **** *Mar. 22, 2011**

(54) **CAN HANDLE**

(76) **Inventor:** **Henry James Jones, Sparta (CA)**

(*) **Notice:** This patent is subject to a terminal disclaimer.

(**) **Term:** **14 Years**

(21) **Appl. No.:** **29/348,879**

(22) **Filed:** **Feb. 18, 2010**

Related U.S. Application Data

(60) Division of application No. 29/314,926, filed on May 8, 2009, which is a continuation-in-part of application No. 11/810,430, filed on Jun. 5, 2007, now Pat. No. 7,581,770.

(51) **LOC (9) Cl.** **09-07**

(52) **U.S. Cl.** **D9/455**

(58) **Field of Classification Search** D9/705,
D9/635, 520, 517, 516, 456, 455, 454, 452,
D9/444, 445, 438, 436, 435, 434, 433, 432,
D9/416.499; D26/51; 428/138; 362/101;
229/404, 128, 110, 103.3; 220/630, 710.5,
220/737, 759; 206/776, 755, 754, 583, 522,
206/453, 390, 232; D7/509, 511, 396.2,
D7/624.2, 602, 622; 294/31.2, 33, 27.1;
D8/394; 81/3.43

See application file for complete search history.

(56) **References Cited**

U.S. PATENT DOCUMENTS

864,103	A *	8/1907	Mulroyal	81/3.43
1,351,772	A *	9/1920	Libbey	24/483
1,681,197	A *	8/1928	Rueff	220/710.5
2,275,875	A *	3/1942	Werfel	294/31.2
2,305,492	A *	12/1942	Poglein	294/31.2
2,361,417	A *	10/1944	Reichart	294/31.2
2,378,867	A *	6/1945	Reichart	294/31.2
2,540,860	A *	2/1951	Blomquist	294/31.2
2,740,655	A *	4/1956	Maly	294/31.2
2,839,323	A *	6/1958	Jamieson	294/31.2

2,886,366	A *	5/1959	White	294/31.2
2,967,071	A *	1/1961	Deschene	294/31.2
2,982,577	A *	5/1961	Serio	294/31.2
3,114,484	A *	12/1963	Serio	222/475.1
D197,435	S *	2/1964	Libbey	D7/622
3,189,937	A *	6/1965	Sciortino	294/33
3,463,536	A *	8/1969	Beyer et al.	294/31.2
3,709,544	A *	1/1973	Oltmanns	294/31.2
3,807,679	A *	4/1974	Burke et al.	248/690
3,821,832	A *	7/1974	Smith	220/759
D258,408	S *	3/1981	Berkan, Jr.	D7/622
4,866,813	A *	9/1989	Dupont	16/425
5,662,446	A *	9/1997	Haan	411/514
6,260,732	B1 *	7/2001	Khodush	220/737
6,588,064	B2 *	7/2003	Baum	16/422
6,729,665	B1 *	5/2004	Posey et al.	294/31.2
6,979,031	B2 *	12/2005	Coppotelli et al.	294/27.1
7,284,777	B1 *	10/2007	Kraemer	294/31.2
D588,447	S *	3/2009	Wakabayashi	D8/394
2006/0090300	A1 *	5/2006	Kim	16/425
2006/0131835	A1 *	6/2006	Simpson	280/415.1

* cited by examiner

Primary Examiner — Susan Bennett Hattan

(74) *Attorney, Agent, or Firm* — Christopher John Rudy

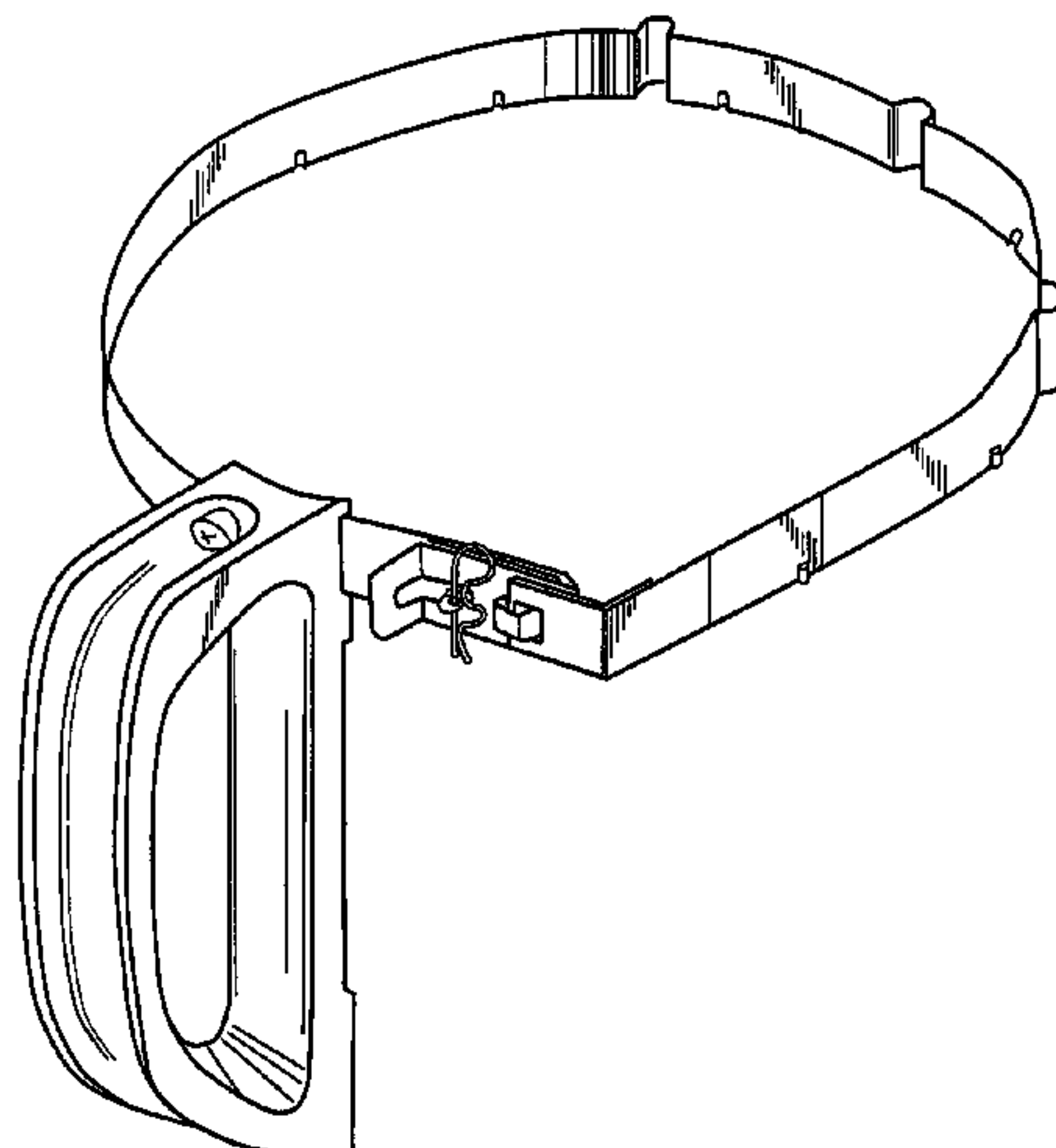
(57) **CLAIM**

The ornamental design for a can handle, as shown and described.

DESCRIPTION

FIG. 1 is a right side view of a can handle showing my new design;
FIG. 2 is a left side view whereof;
FIG. 3 is a front view whereof;
FIG. 4 is rear view whereof;
FIG. 5 is a top view whereof;
FIG. 6 is a bottom view whereof; and
FIG. 7 is a right, rear, top perspective view whereof.
FIG. 8 is a right side view of the can handle of FIGS. 1-7 in an environment in which it can be used, encircling a No. 10 coffee can in dashed lines not part of my claimed design; and,
FIG. 9 is a right, front, top perspective view of the can handle itself, without the can-encircling band.

1 Claim, 6 Drawing Sheets



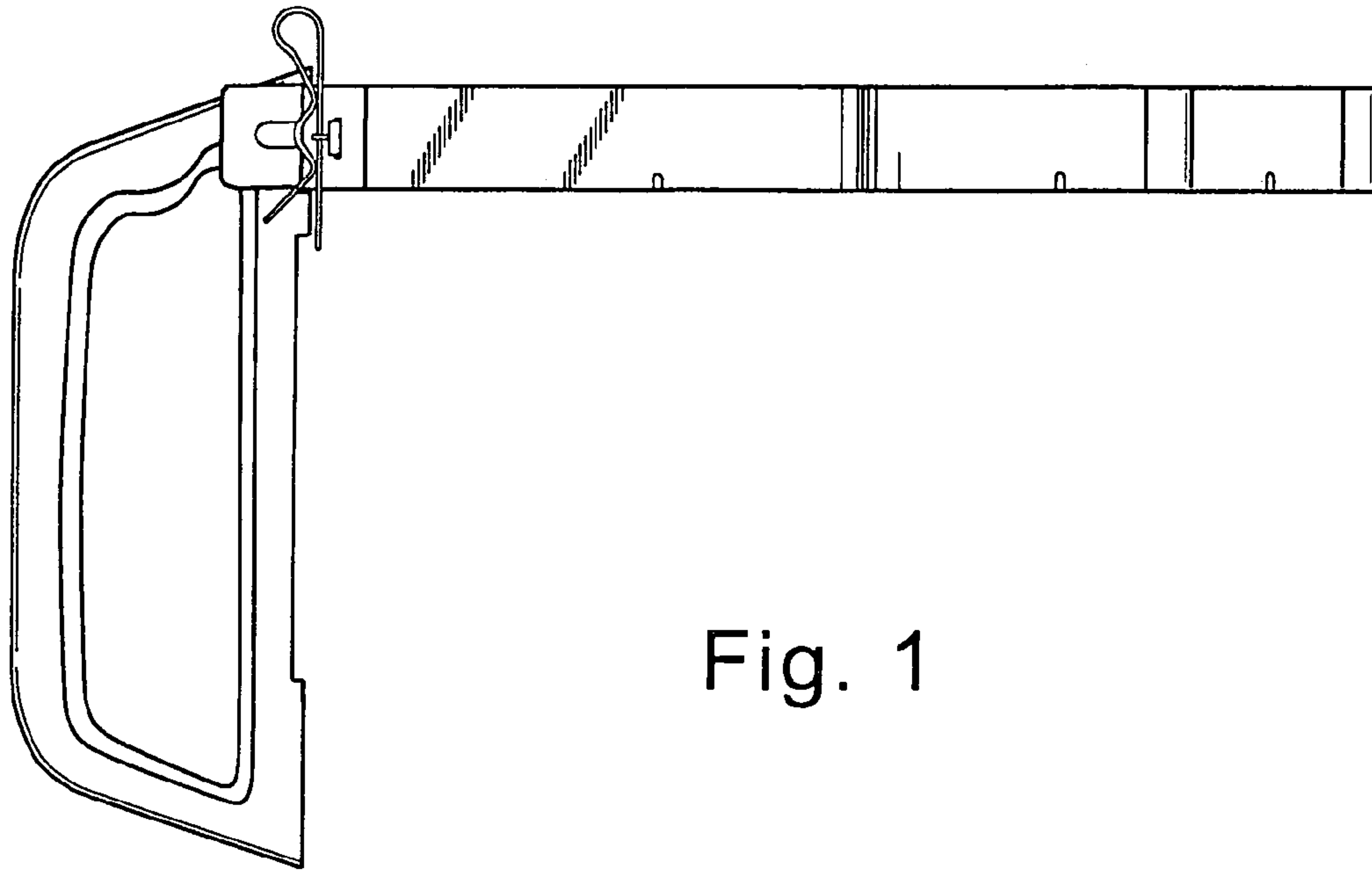


Fig. 1

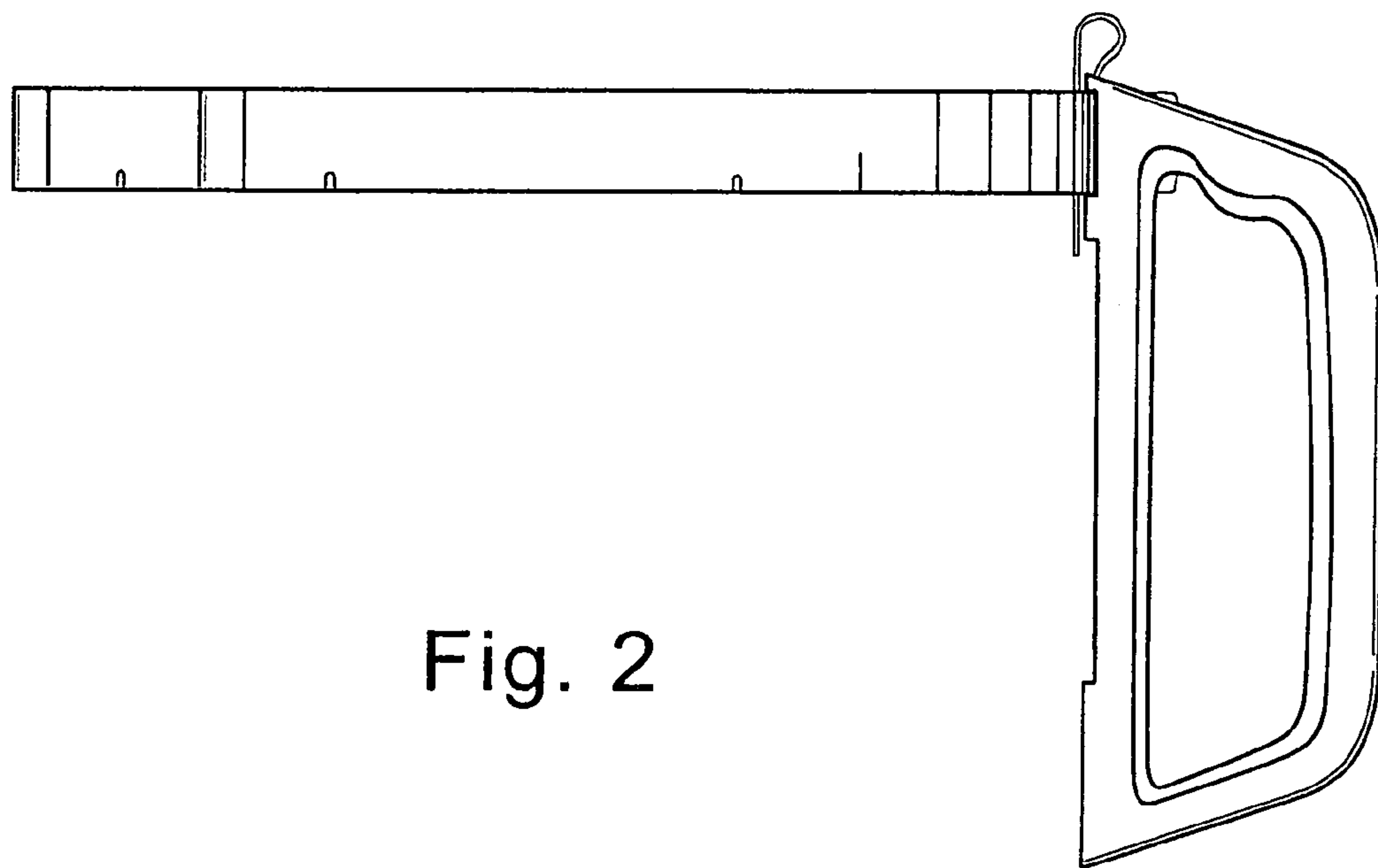


Fig. 2

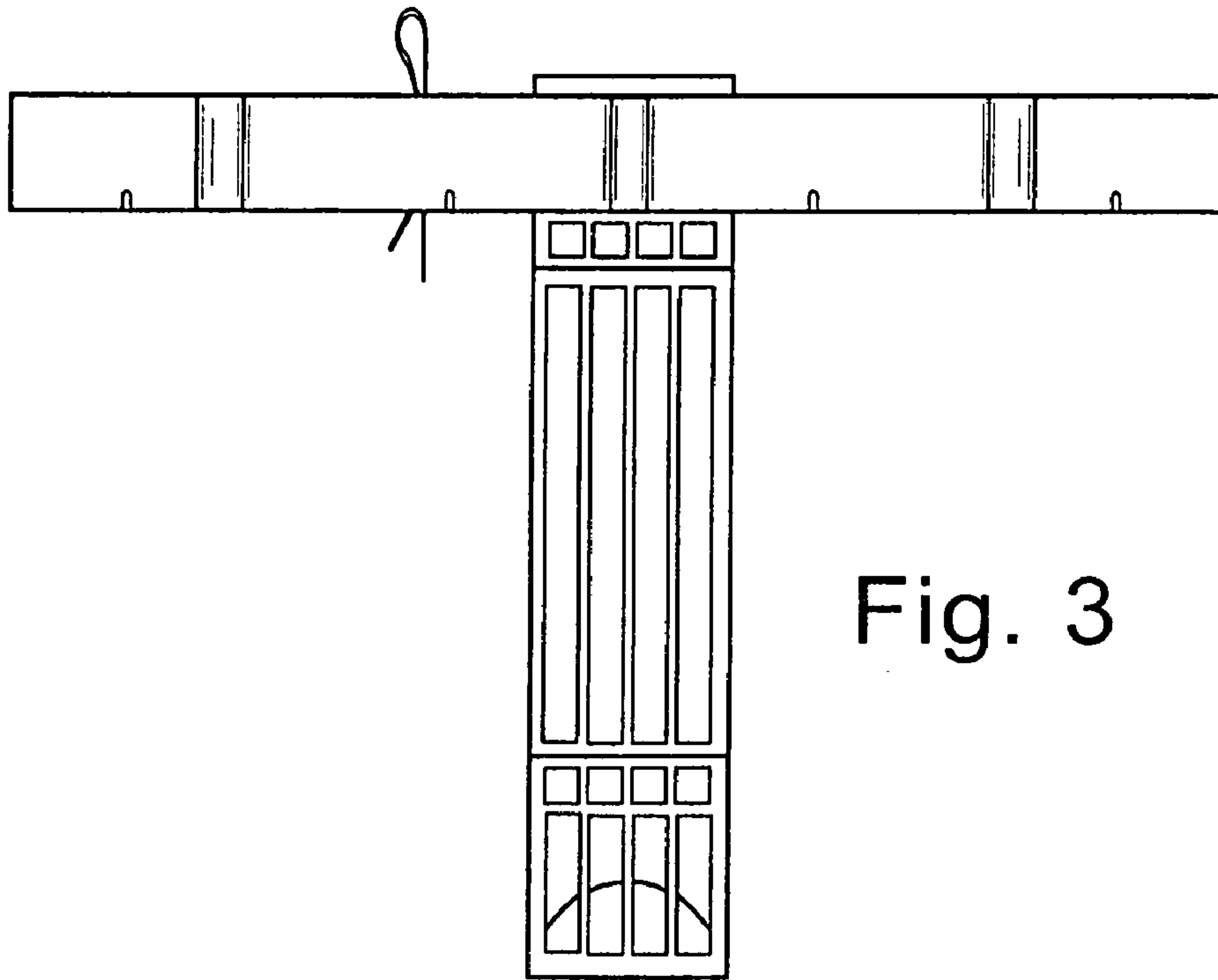


Fig. 3

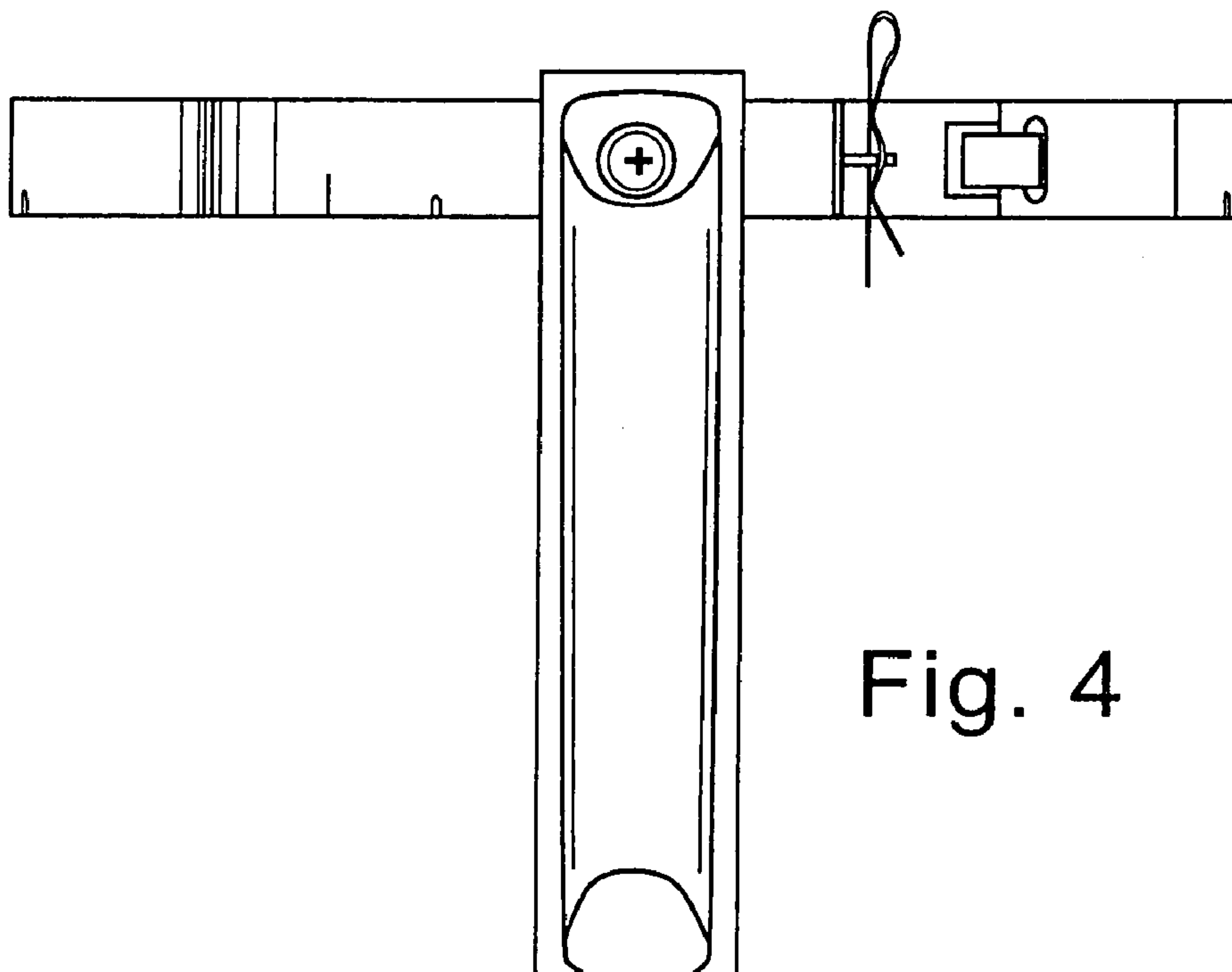


Fig. 4

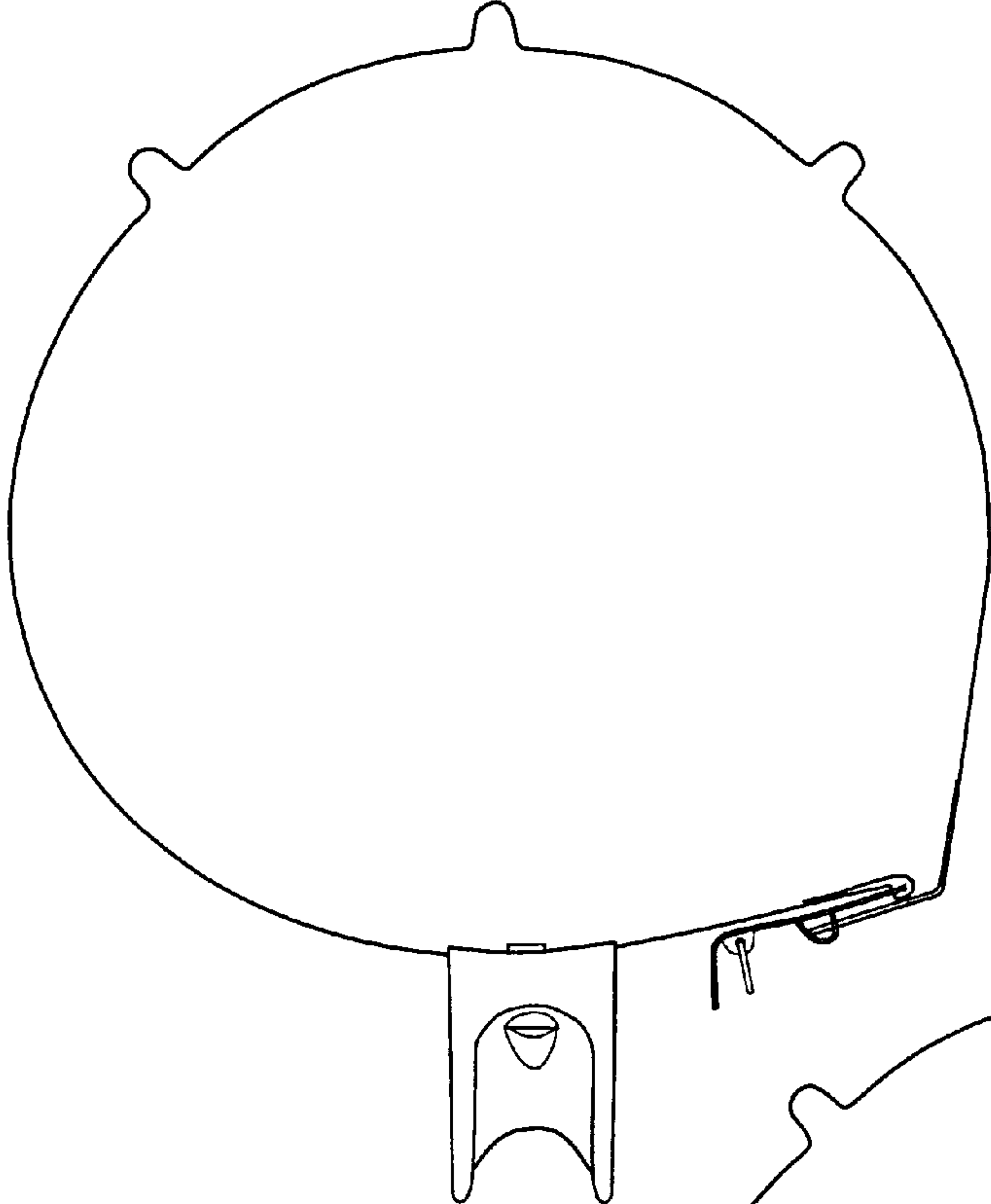


Fig. 5

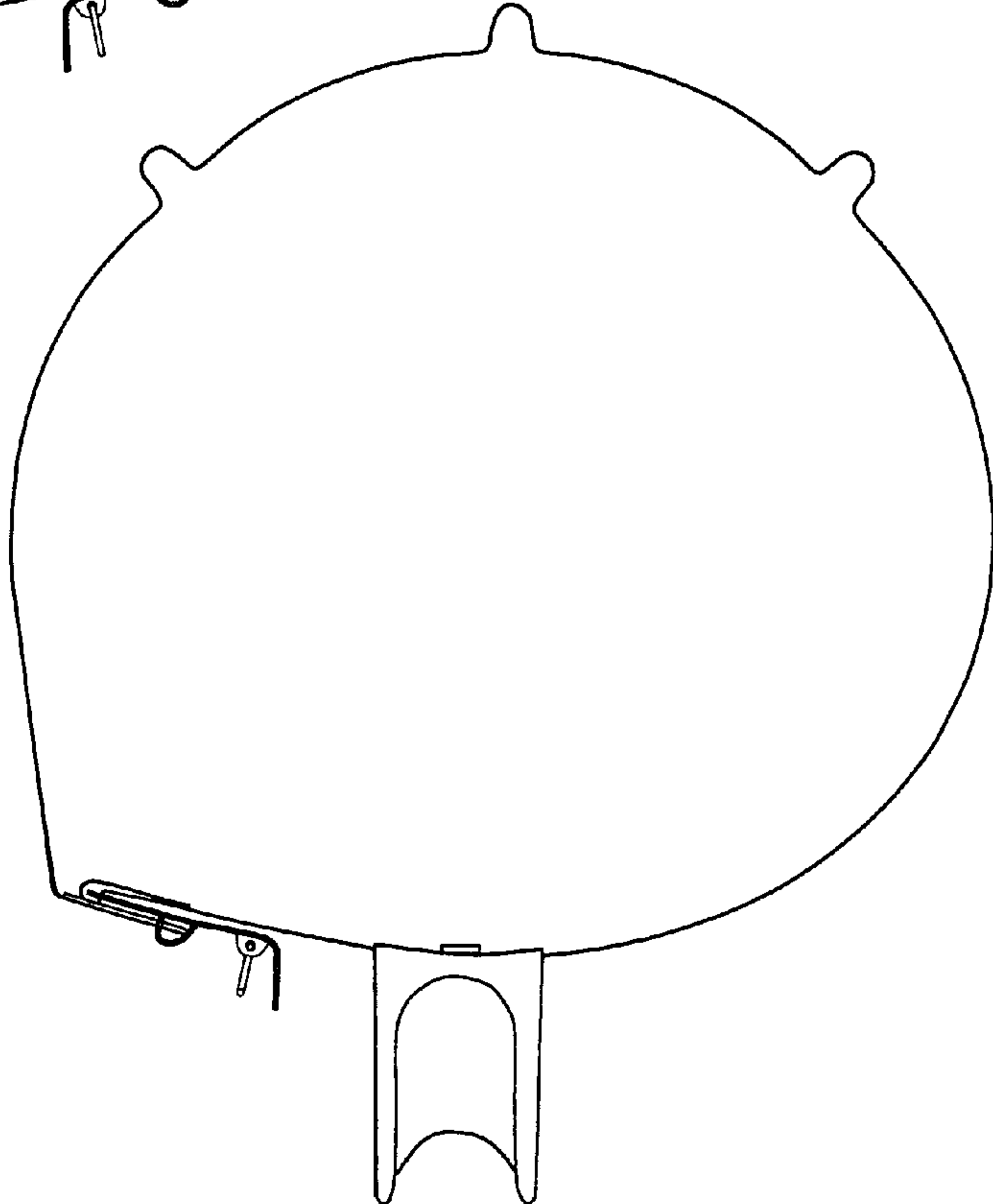


Fig. 6

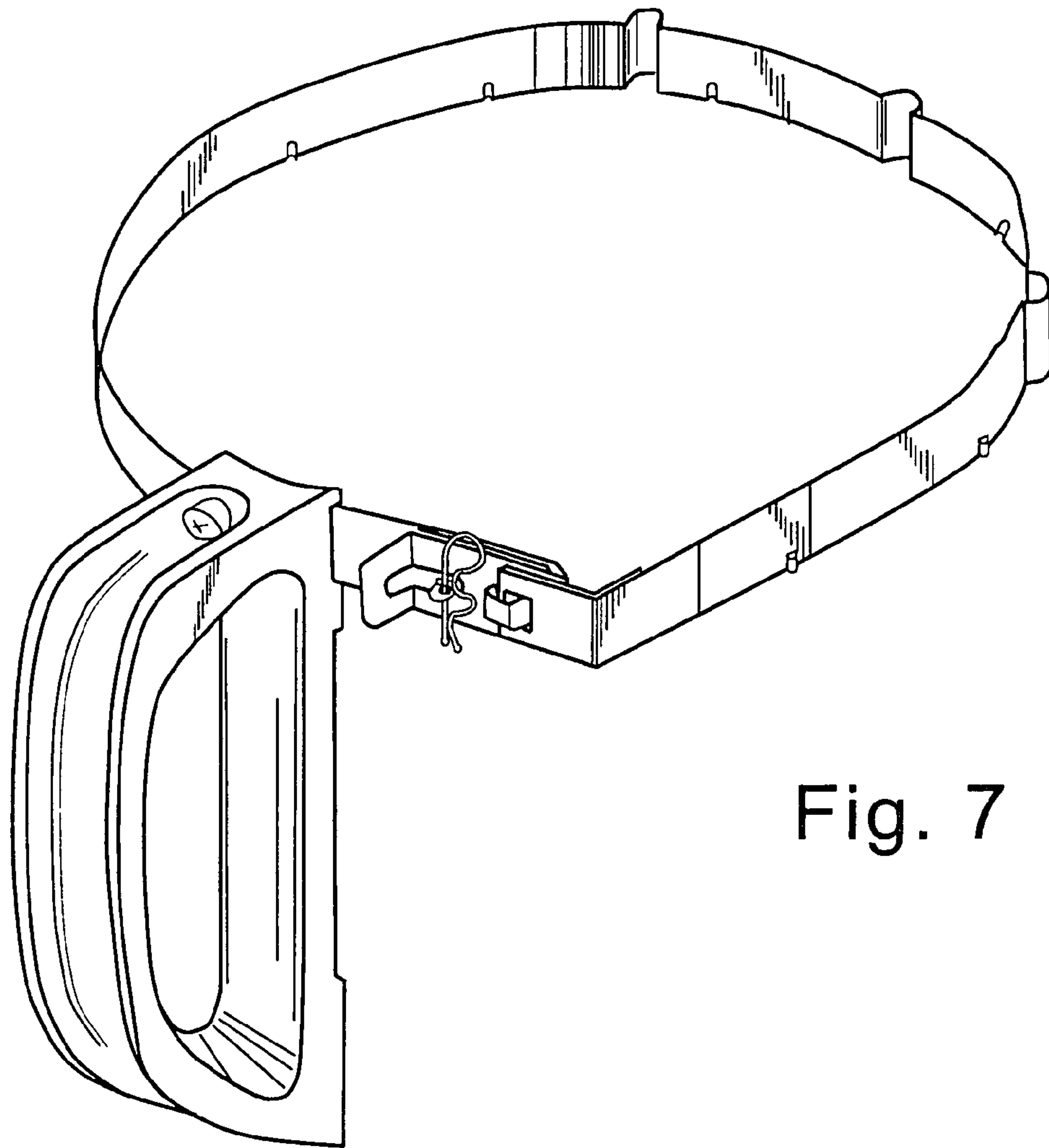


Fig. 7

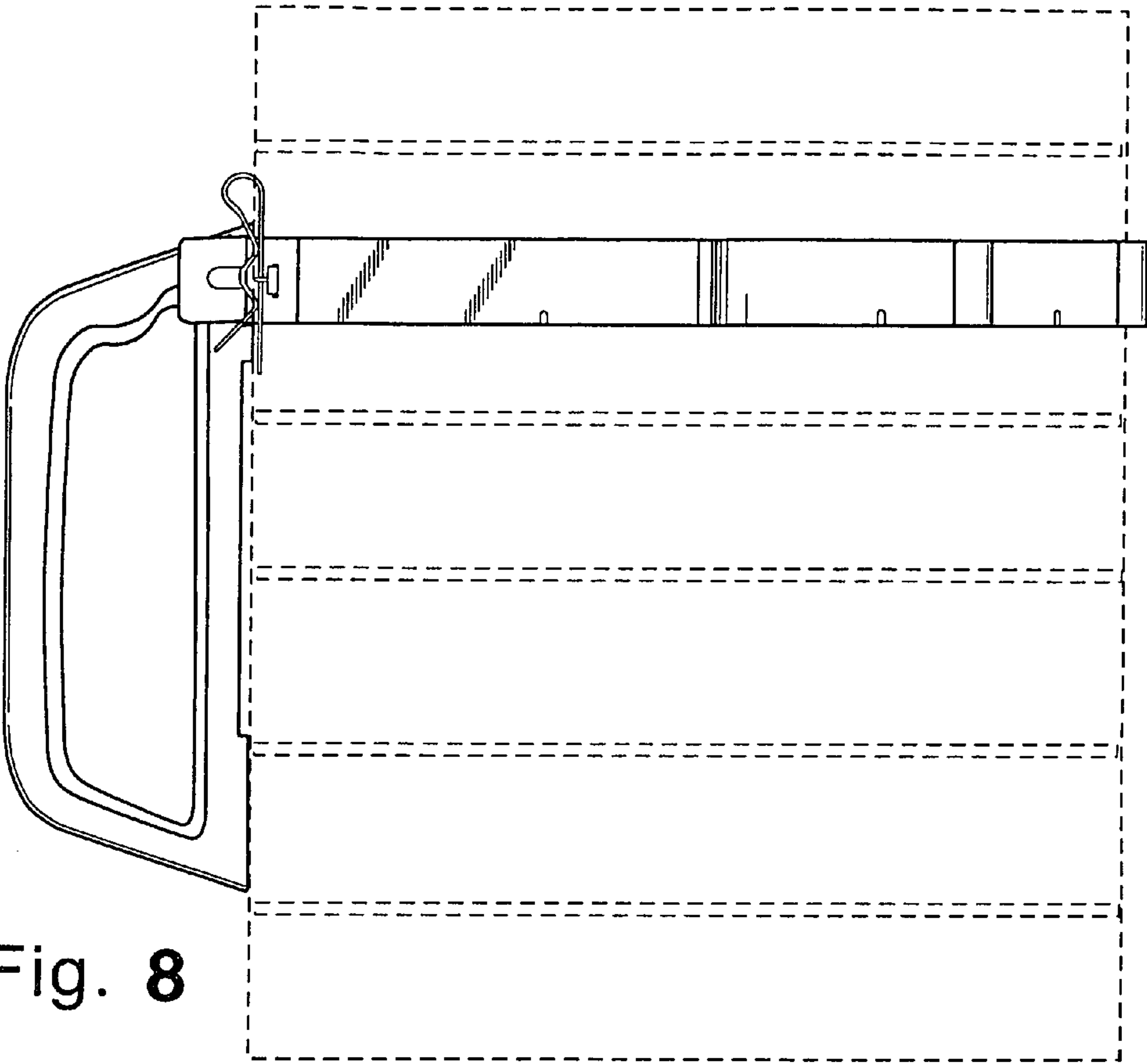


Fig. 8

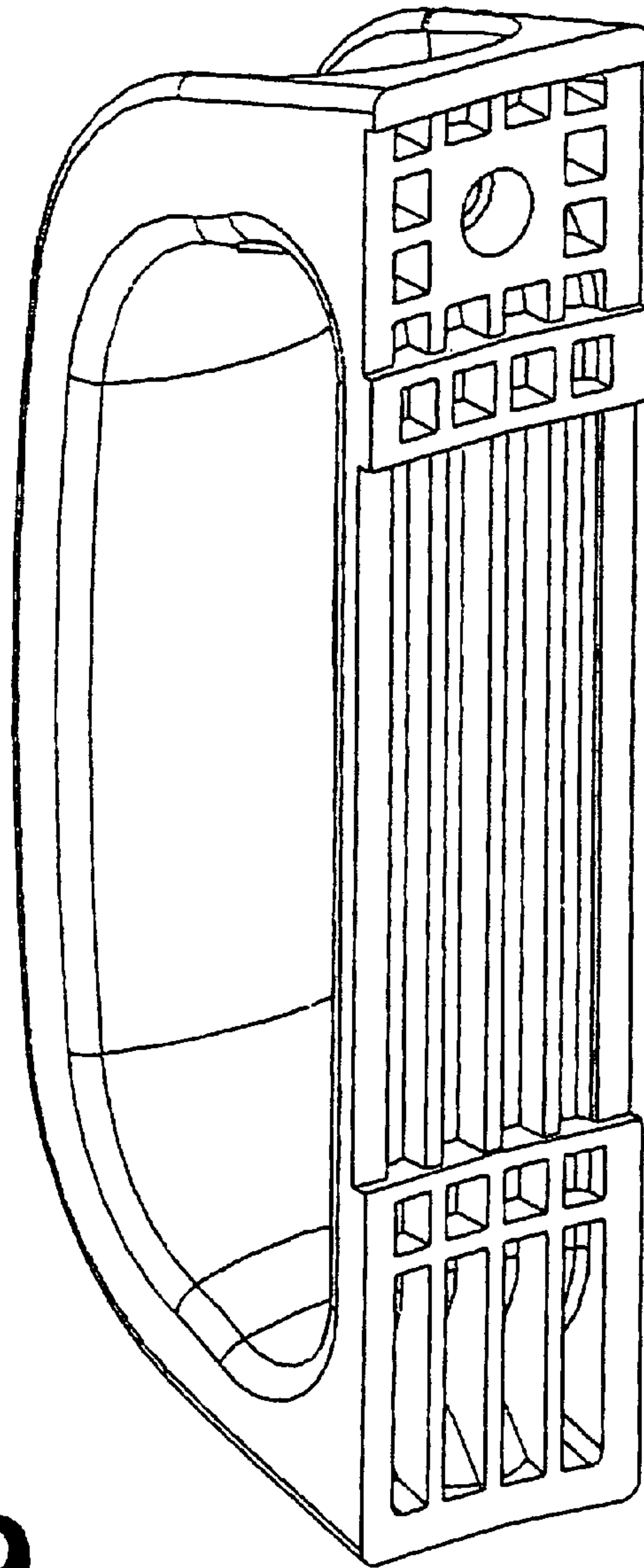


Fig. 9