



US00D634632S

(12) **United States Design Patent**
Sridhar

(10) **Patent No.:** **US D634,632 S**

(45) **Date of Patent:** **** Mar. 22, 2011**

(54) **CAP**

(75) Inventor: **Janardhana Sridhar**, Mumbai (IN)

(73) Assignee: **Conopco, Inc.**, Englewood Cliffs, NJ
(US)

(**) Term: **14 Years**

(21) Appl. No.: **29/355,455**

(22) Filed: **Feb. 8, 2010**

(30) **Foreign Application Priority Data**

Aug. 13, 2009 (GB) 4012139

(51) **LOC (9) Cl.** **09-07**

(52) **U.S. Cl.** **D9/449; D9/450**

(58) **Field of Classification Search** D9/724,
D9/454, 453, 449, 448, 447, 435, 434, 418,
D9/450; D28/7; D24/129, 115; 604/414,
604/411, 403; 422/103; 239/327; 222/522,
222/211, 209, 109; 221/63; 220/254.1-254.4;
215/247; 206/824; 141/329

See application file for complete search history.

(56) **References Cited**

U.S. PATENT DOCUMENTS

D268,650	S	*	4/1983	Kirstine	D9/450
D302,390	S	*	7/1989	Banasiak	D9/450
D315,308	S	*	3/1991	vanKerkhoven	D9/450
D604,613	S	*	11/2009	Garboni	D9/454
D617,187	S	*	6/2010	Murray	D9/435
D625,177	S	*	10/2010	Seum et al.	D9/418
2003/0089627	A1	*	5/2003	Chelles et al.	206/219

* cited by examiner

Primary Examiner — Susan Bennett Hattan

(74) *Attorney, Agent, or Firm* — Milton L. Honig

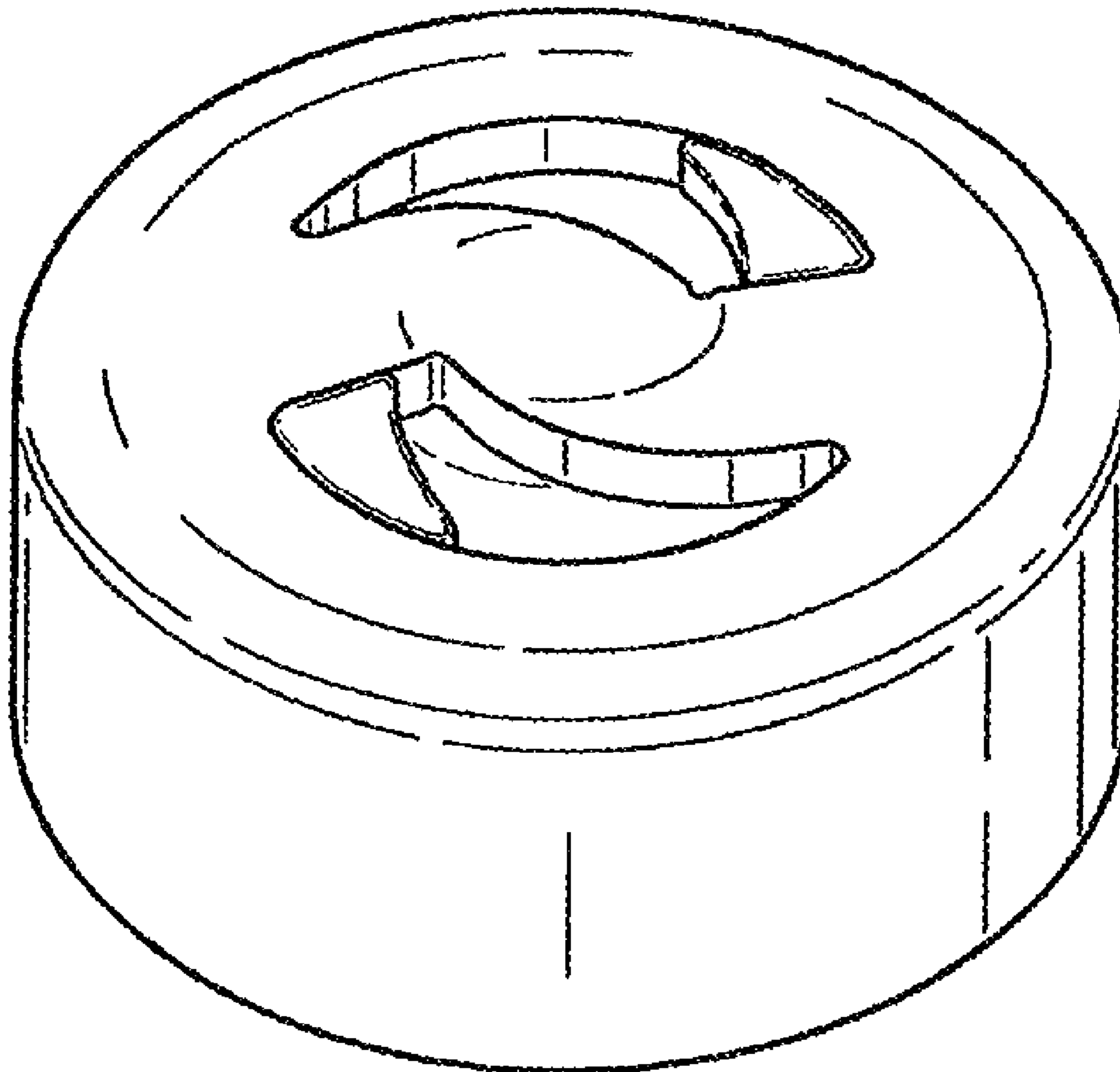
(57) **CLAIM**

The ornamental design for a cap, as shown and described.

DESCRIPTION

FIG. 1 is a perspective view from above and one side of my cap;
FIG. 2 is a front elevational view thereof;
FIG. 3 is a rear elevational view thereof;
FIG. 4 is an elevational view of the other side thereof;
FIG. 5 is a top plan view thereof;
FIG. 6 is an exploded perspective view from above and one side thereof; and,
FIG. 7 is a bottom plan view thereof.

1 Claim, 4 Drawing Sheets



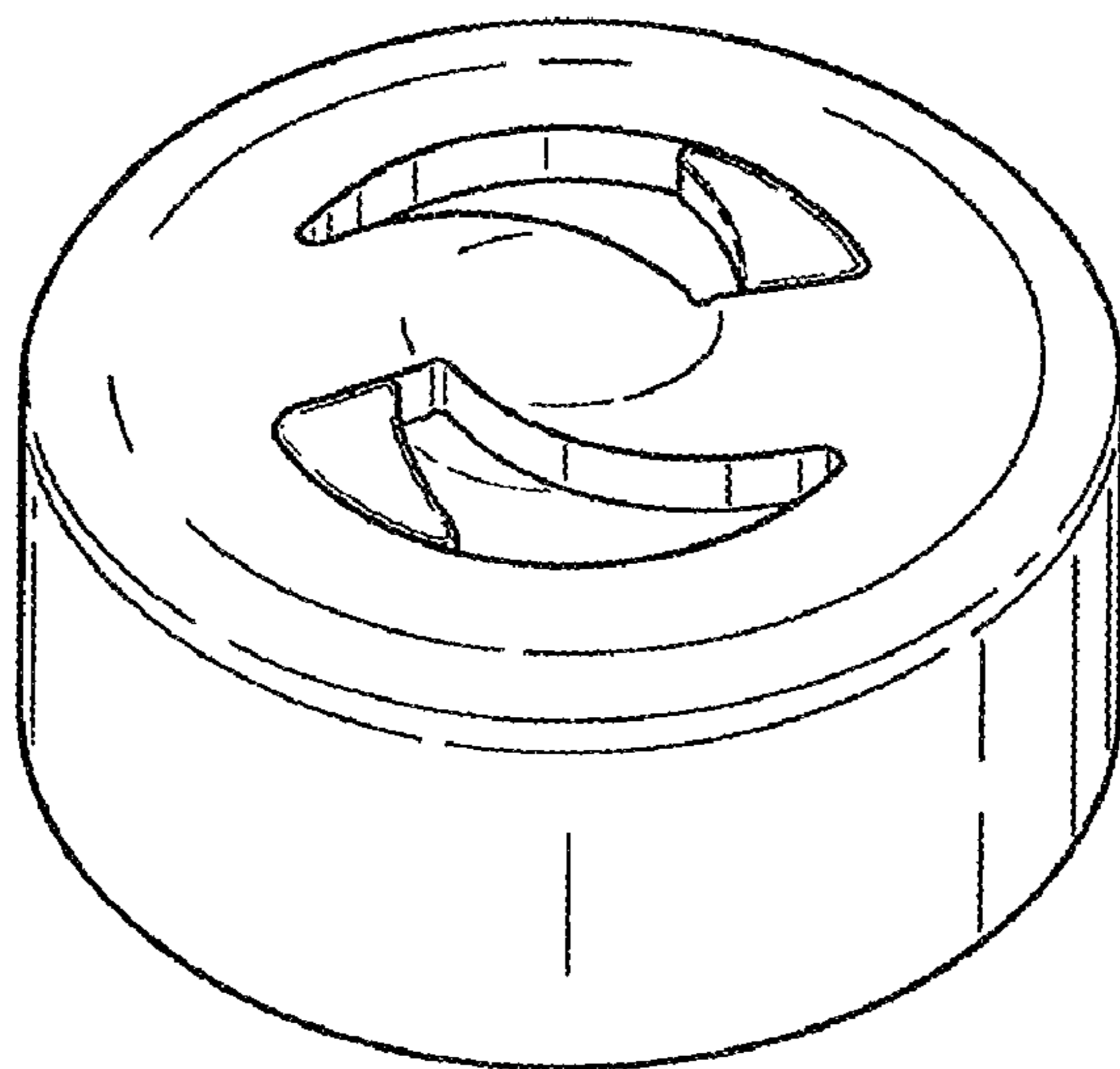


Fig. 1

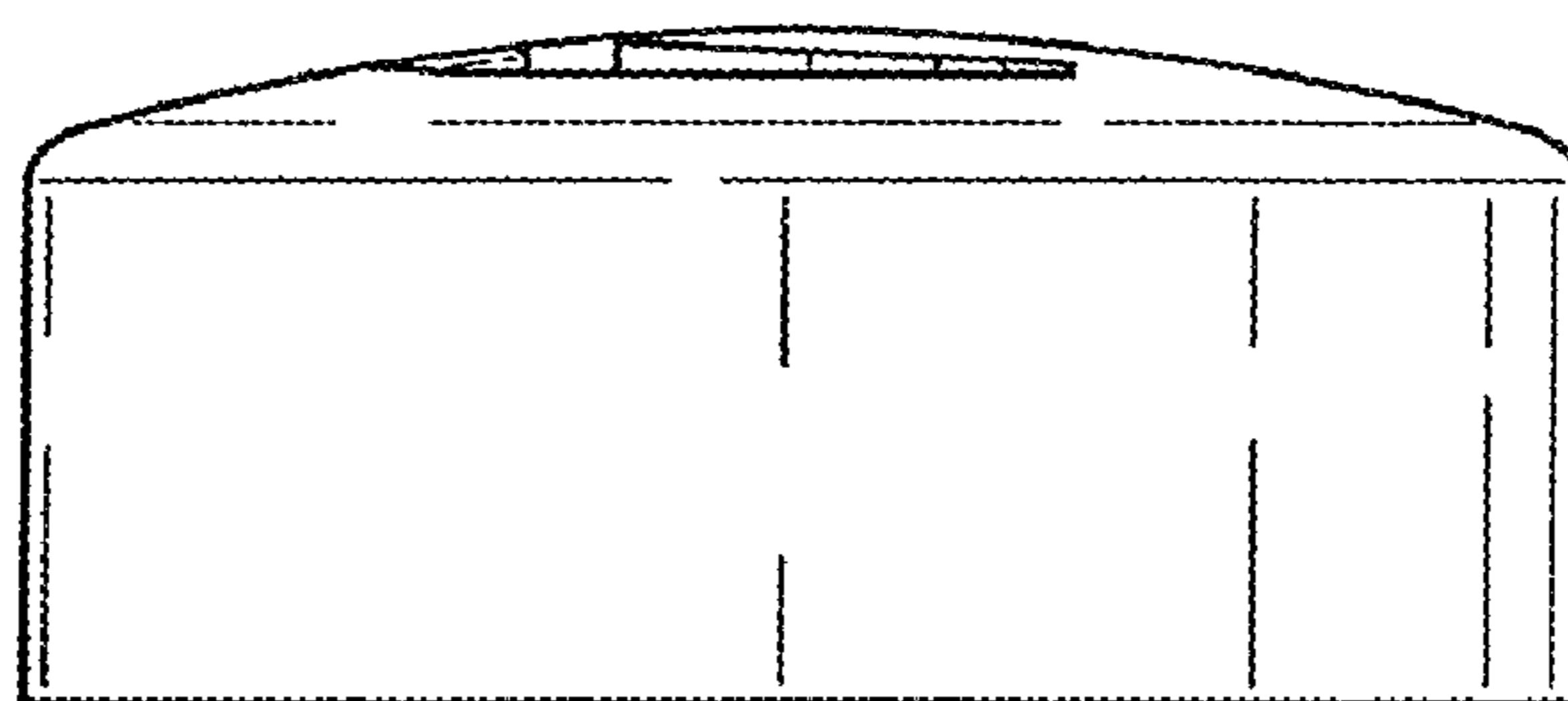


Fig. 2

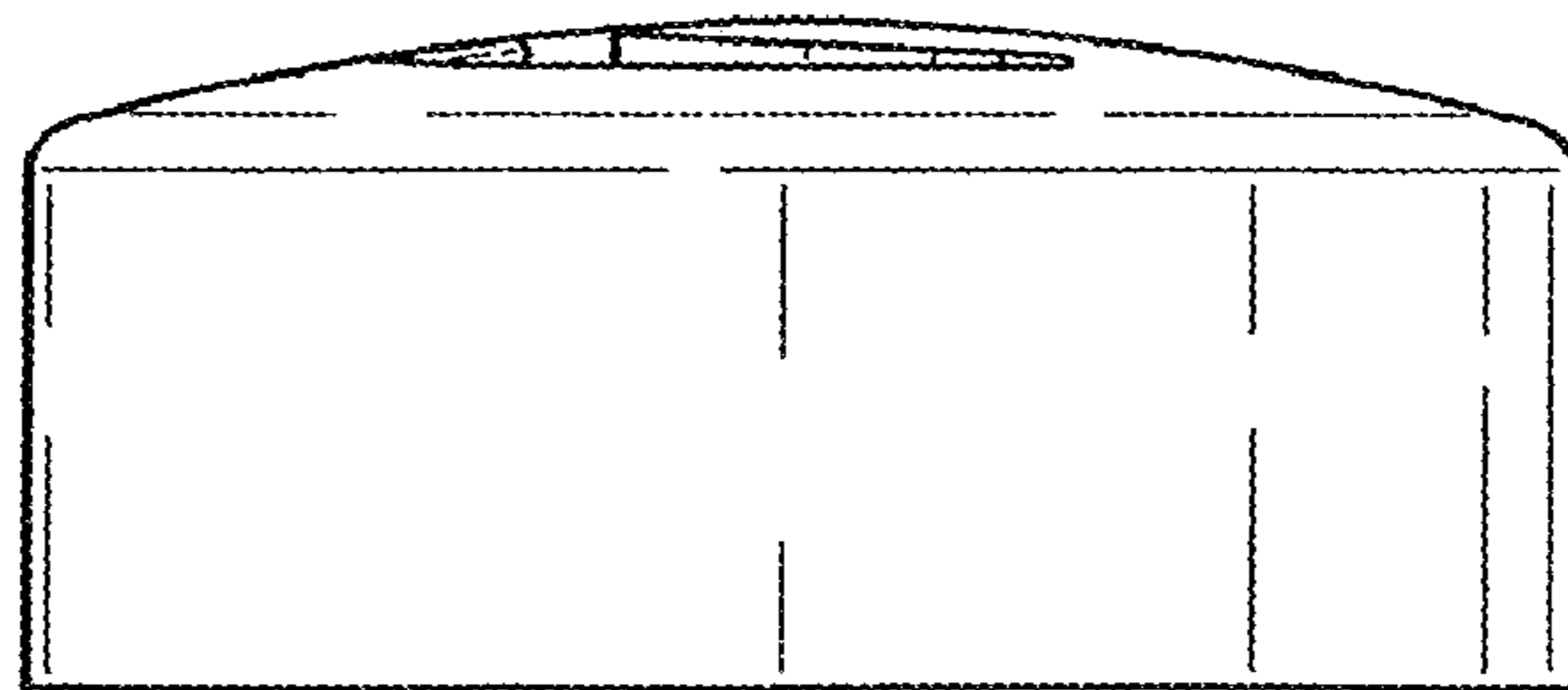


Fig. 3

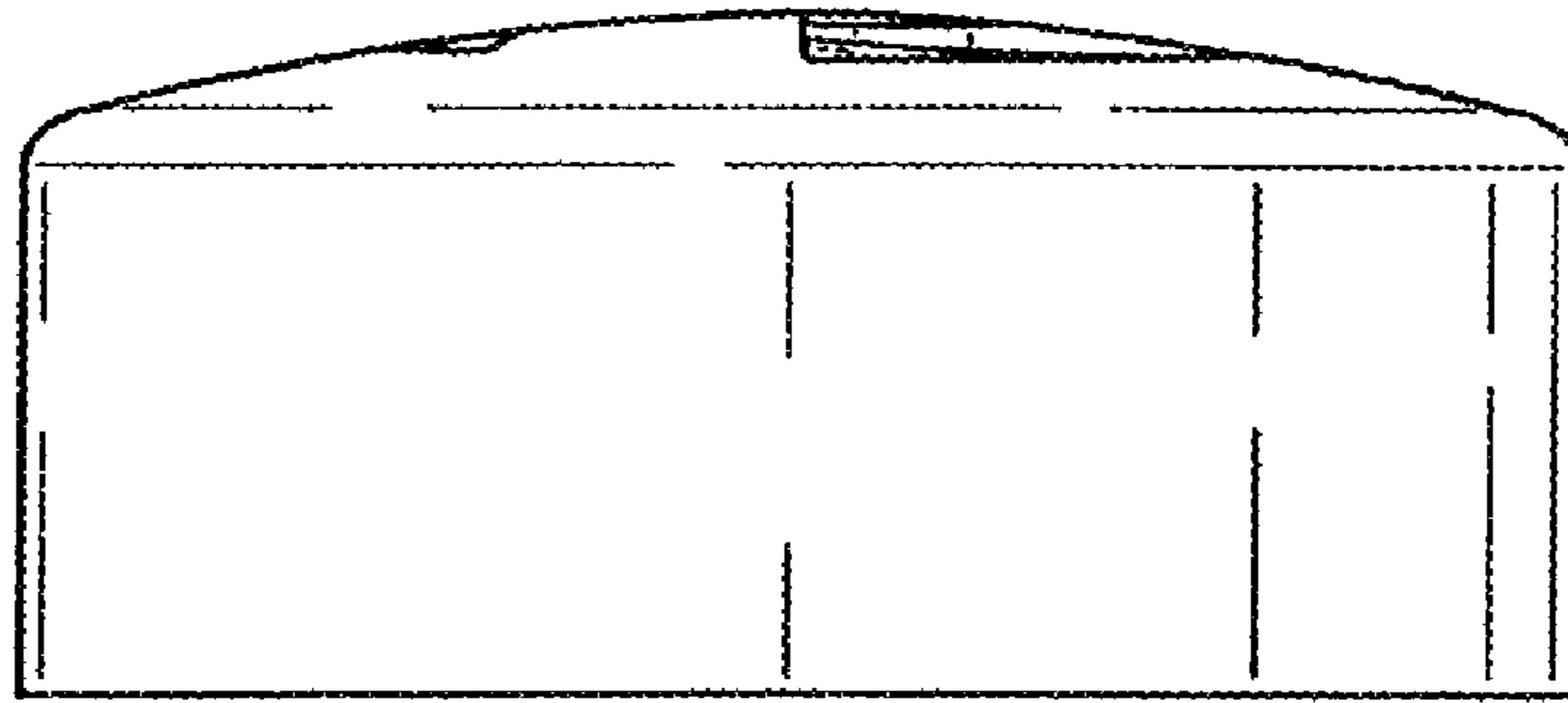


Fig. 4

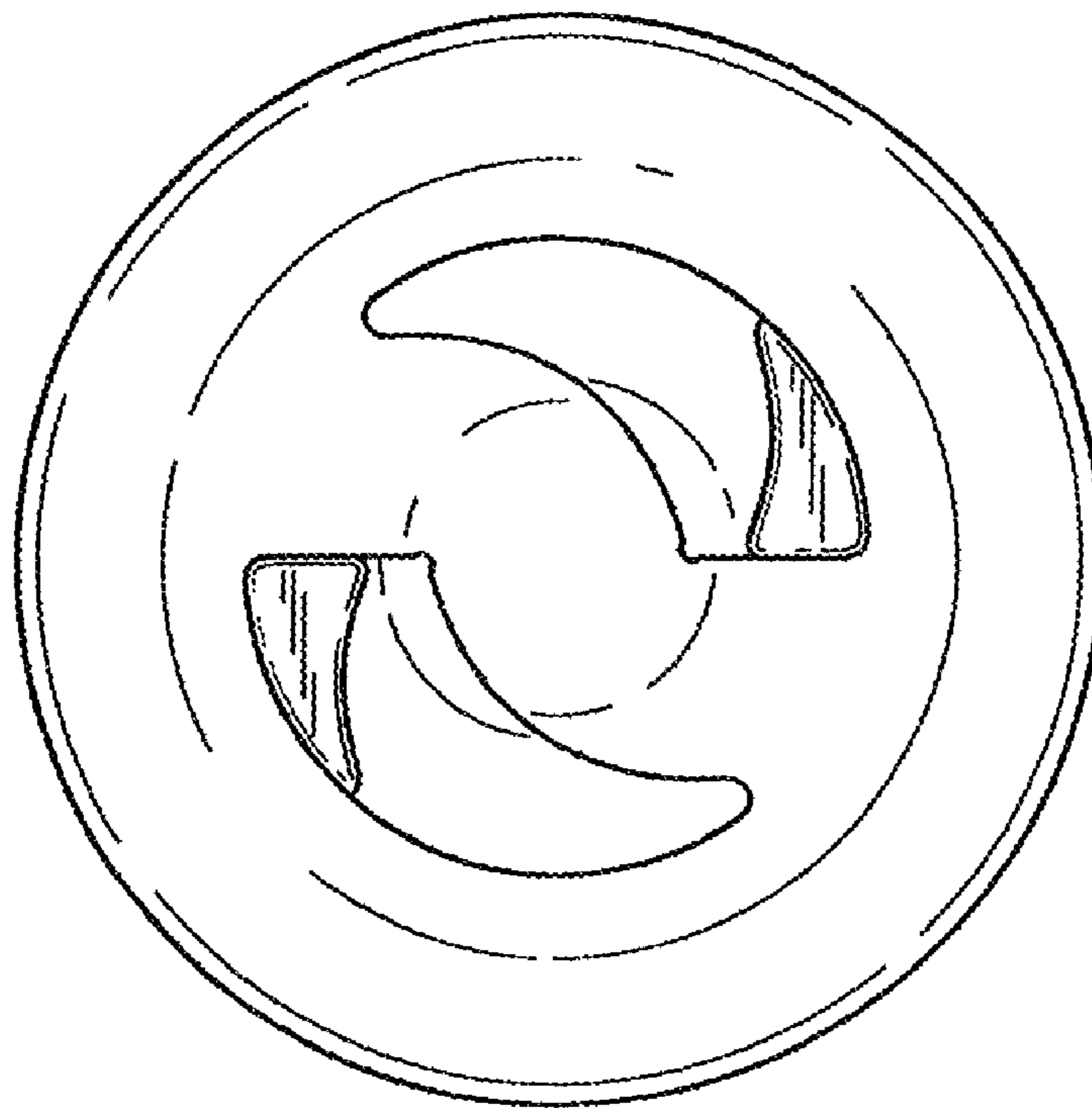


Fig. 5

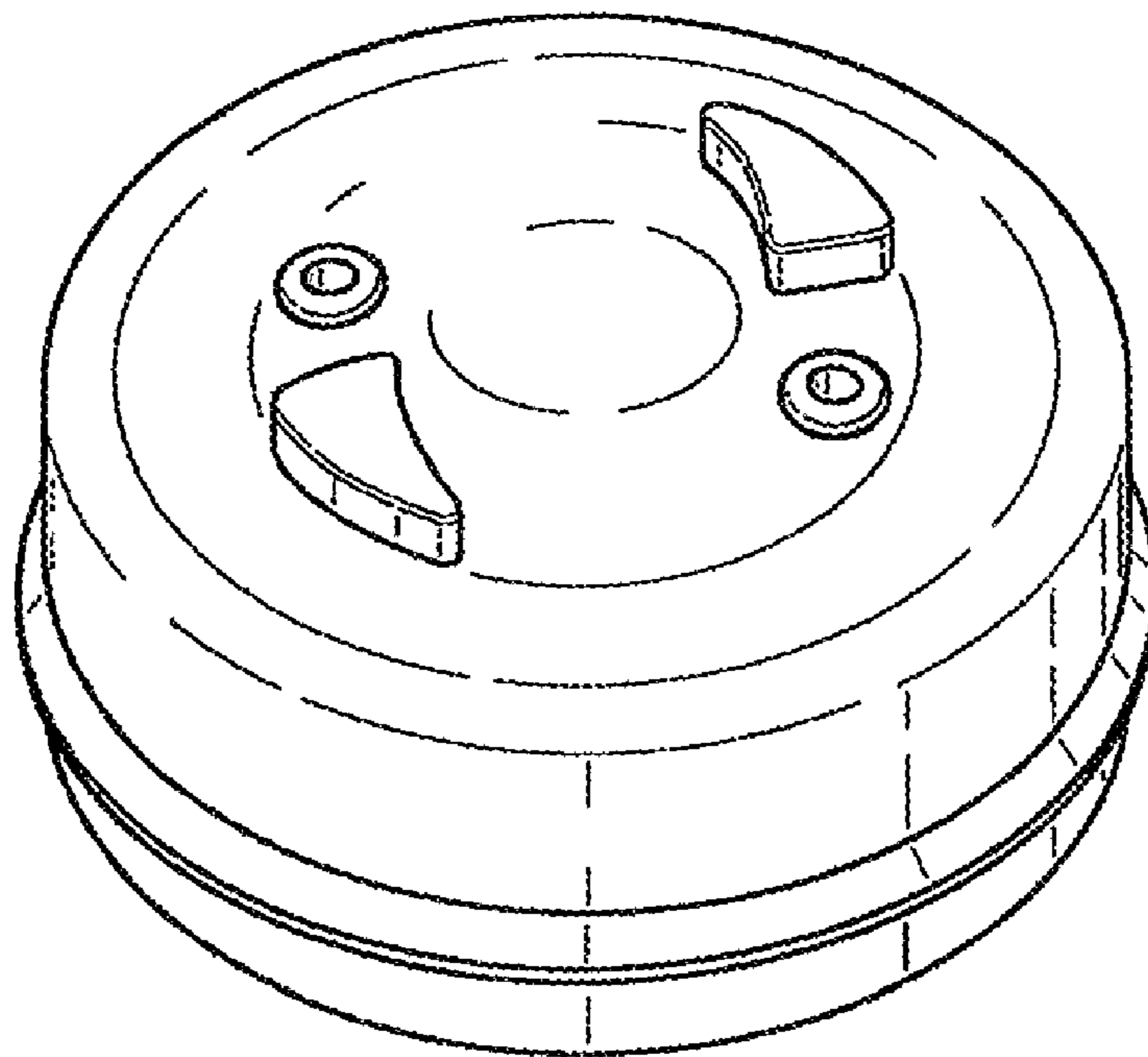
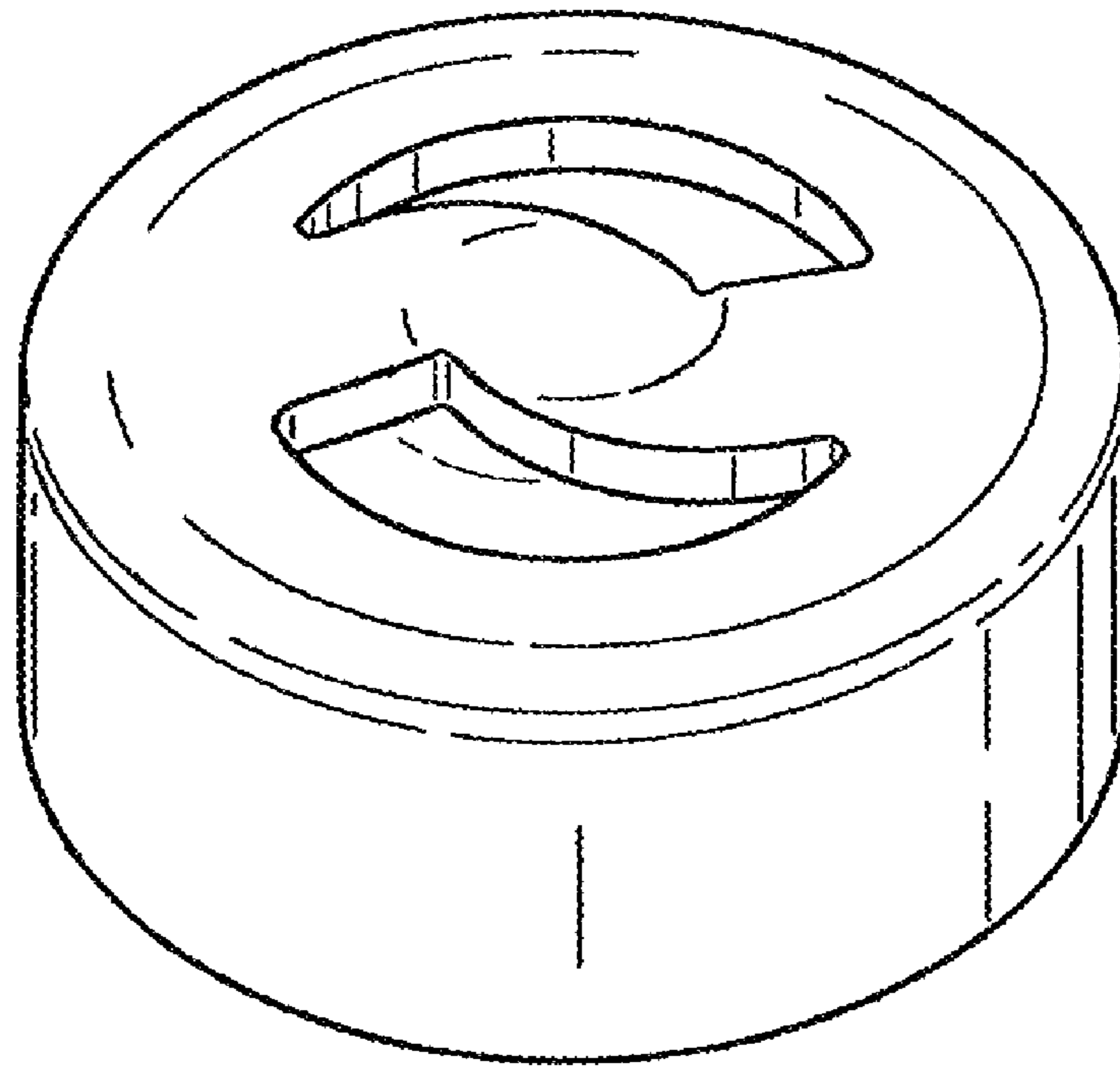


Fig. 6

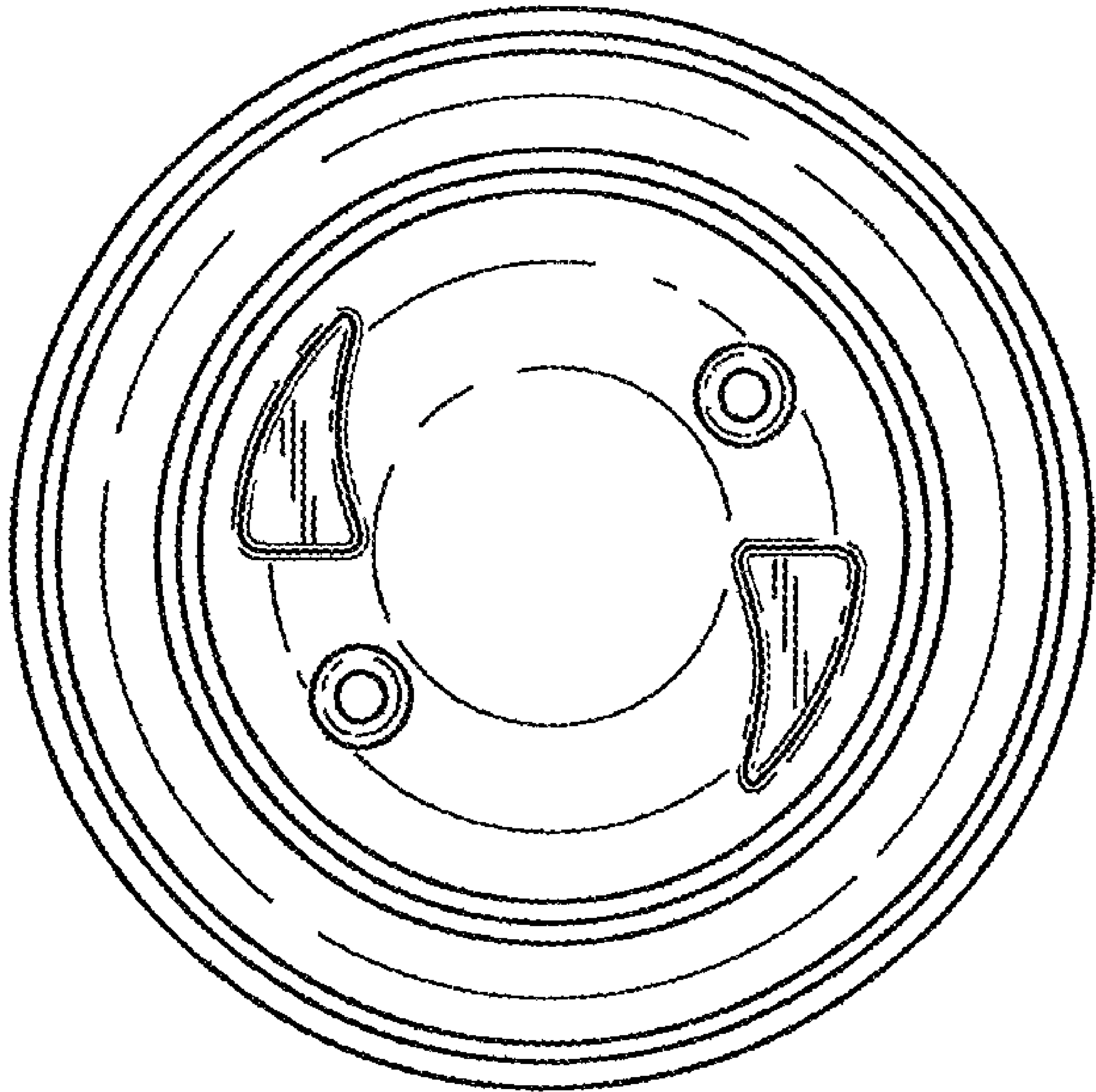


Fig. 7