



US00D634629S

(12) **United States Design Patent**
McKenzie

(10) **Patent No.:** **US D634,629 S**

(45) **Date of Patent:** **** Mar. 22, 2011**

(54) **LABEL FOR CONTAINER**

(75) Inventor: **Aaron McKenzie**, London (GB)

(73) Assignee: **British American Tobacco (Investments) Limited**, London (GB)

(**) Term: **14 Years**

(21) Appl. No.: **29/334,319**

(22) Filed: **Mar. 24, 2009**

(30) **Foreign Application Priority Data**

Sep. 24, 2008 (EM) 001010078-0001
Sep. 24, 2008 (EM) 001010078-0002

(51) **LOC (9) Cl.** **09-07**

(52) **U.S. Cl.** **D9/438**

(58) **Field of Classification Search** D9/500,
D9/502-505, 529, 535, 537, 539-540, 549,
D9/558, 416, 443, 682, 686, 688-692, 434,
D9/436, 438, 499; 215/379, 381-393; 220/660,
220/669-673, 675, 269-270, 712; D28/4,
D28/76, 78; D20/11, 19, 22, 27-28; 40/299.01,
40/306, 310-311; 283/56, 81

See application file for complete search history.

(56) **References Cited**

U.S. PATENT DOCUMENTS

1,103,859 A * 7/1914 Austin 220/4.21
3,189,214 A * 6/1965 Henchert 220/270
3,367,531 A * 2/1968 Ellis 220/270
3,812,993 A * 5/1974 Yoshioka et al. 215/256
D303,584 S * 9/1989 Bakic D28/91

5,460,287 A * 10/1995 Cargile et al. 220/276
5,556,365 A * 9/1996 Drummond et al. 493/299
D381,773 S * 7/1997 Hemsley, Jr. D28/66
D382,202 S * 8/1997 Setty et al. D9/438
D385,790 S * 11/1997 Setty et al. D9/438
D399,603 S * 10/1998 Hemsley et al. D28/66
D408,590 S * 4/1999 Litton D28/82
D433,631 S * 11/2000 Walsh D9/516
6,196,408 B1 * 3/2001 Setty et al. 220/276
D447,056 S * 8/2001 Caserta D9/438
D503,620 S * 4/2005 Taylor D9/518
D517,408 S * 3/2006 Gonzalez D9/438
D599,953 S * 9/2009 Gibson et al. D27/190
D603,698 S * 11/2009 VerWeyst D9/428
7,757,935 B2 * 7/2010 Clougherty 229/202

* cited by examiner

Primary Examiner — Ian Simmons

Assistant Examiner — Dana L Sipos

(74) *Attorney, Agent, or Firm* — Chadbourne & Parke LLP;
Walter G. Hanchuk

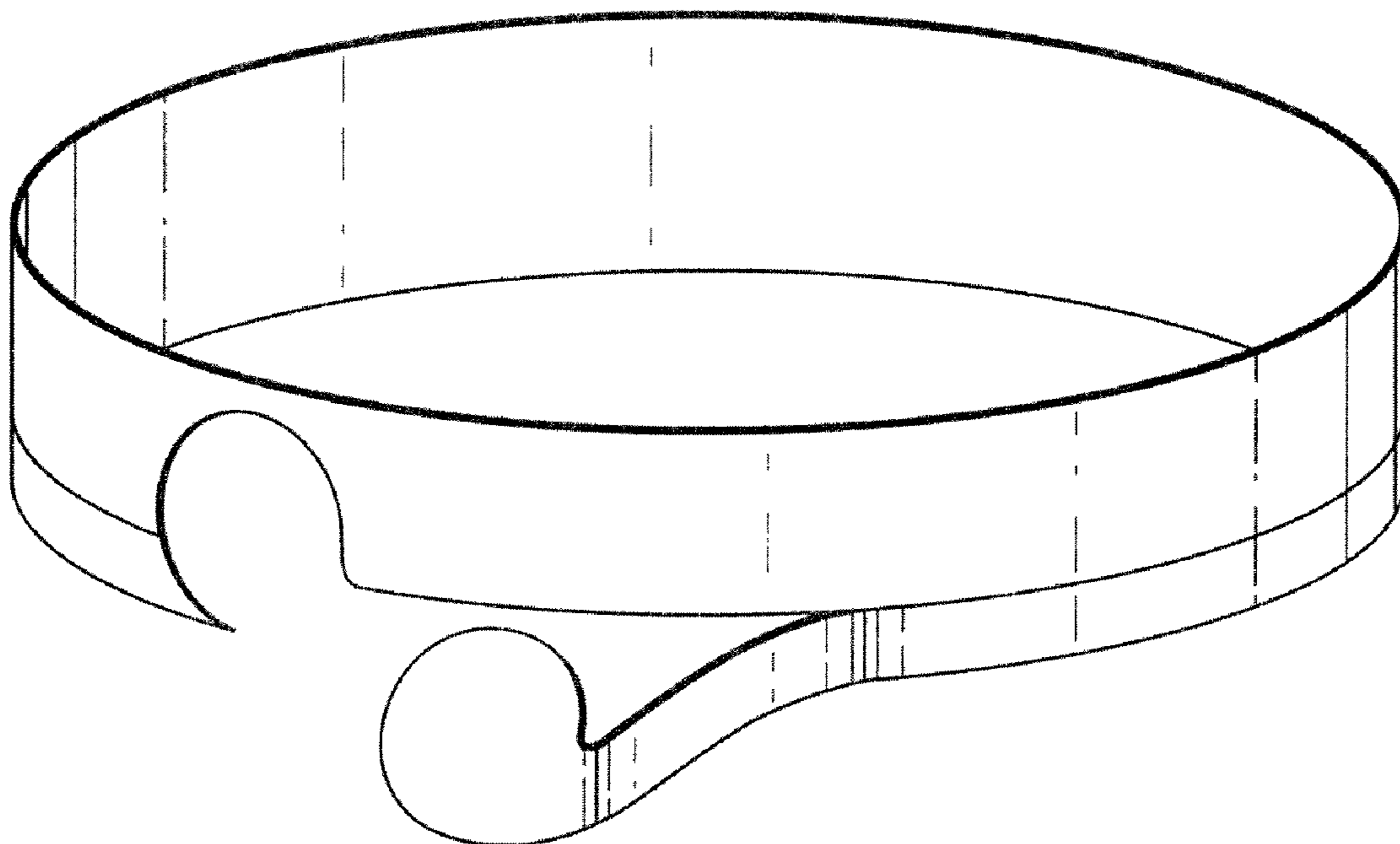
(57) **CLAIM**

The ornamental design for label for container, as shown and described.

DESCRIPTION

FIG. 1 is a top, front perspective view of a label for container showing my new design in a closed or sealed position; FIG. 2 is a top plan view thereof, the bottom plan view being identical; FIG. 3 is a front elevation view thereof; FIG. 4 is a rear elevation view thereof; and, FIG. 5 is a top, front perspective view thereof, shown in a partially open or unsealed position.

1 Claim, 2 Drawing Sheets



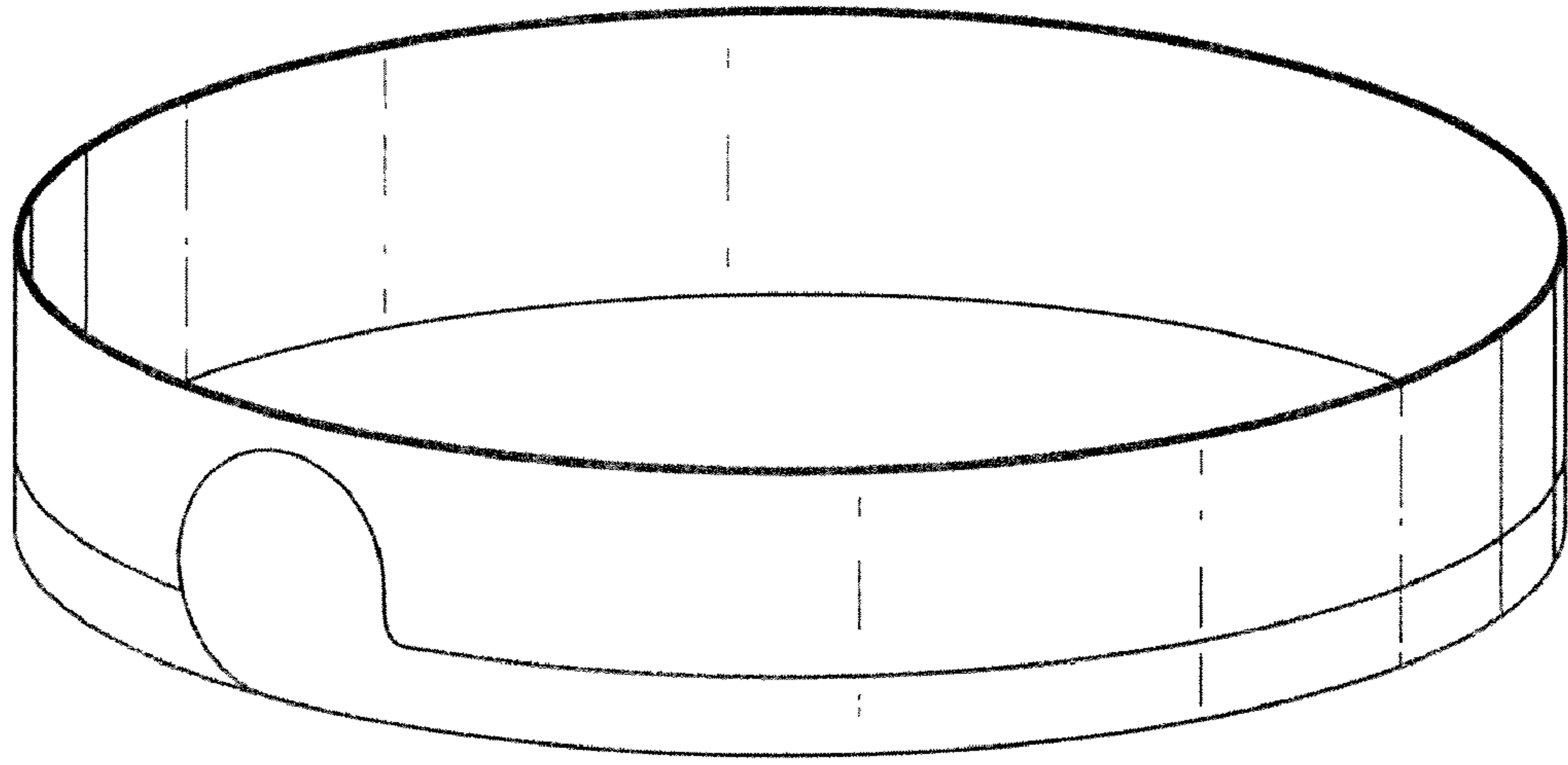


Fig. 1

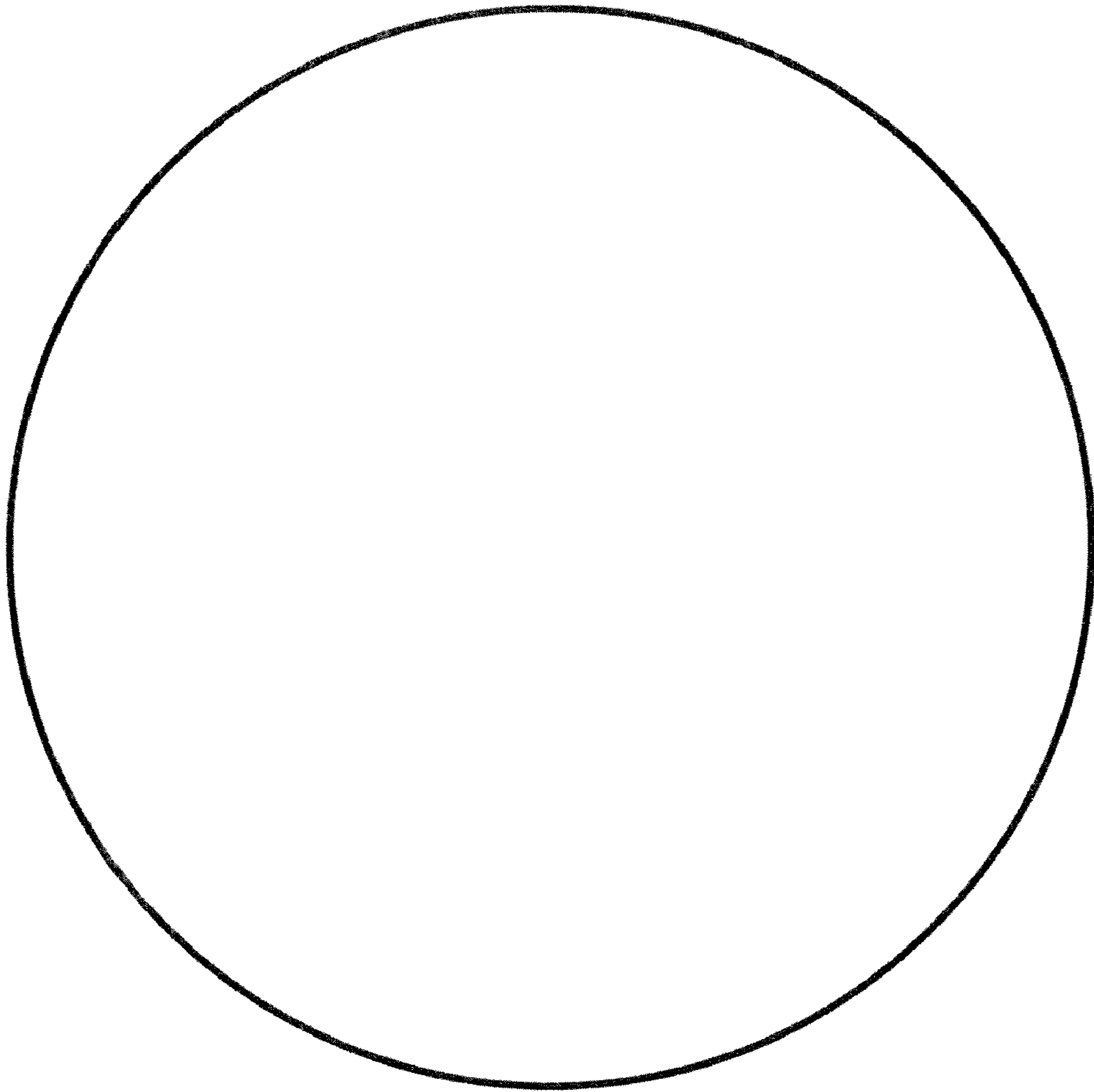


Fig. 2

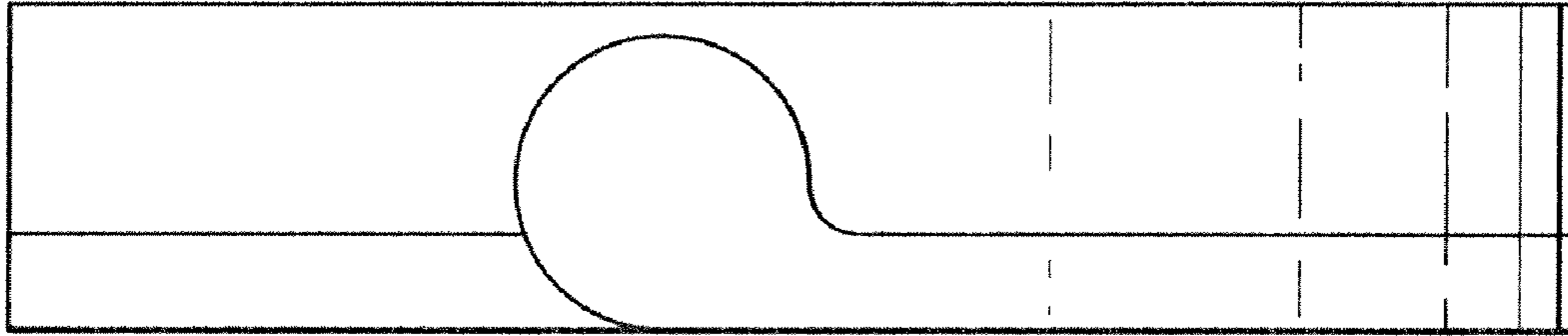


Fig. 3

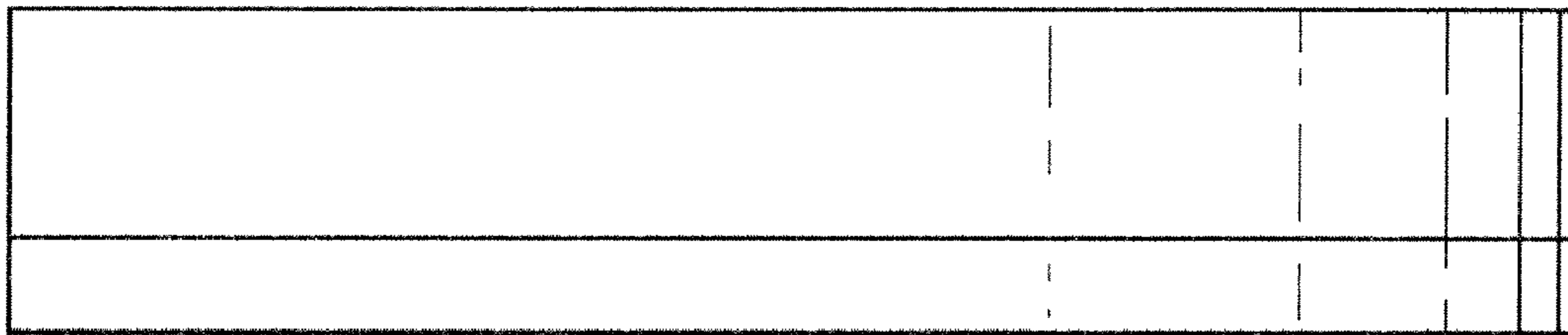


Fig. 4

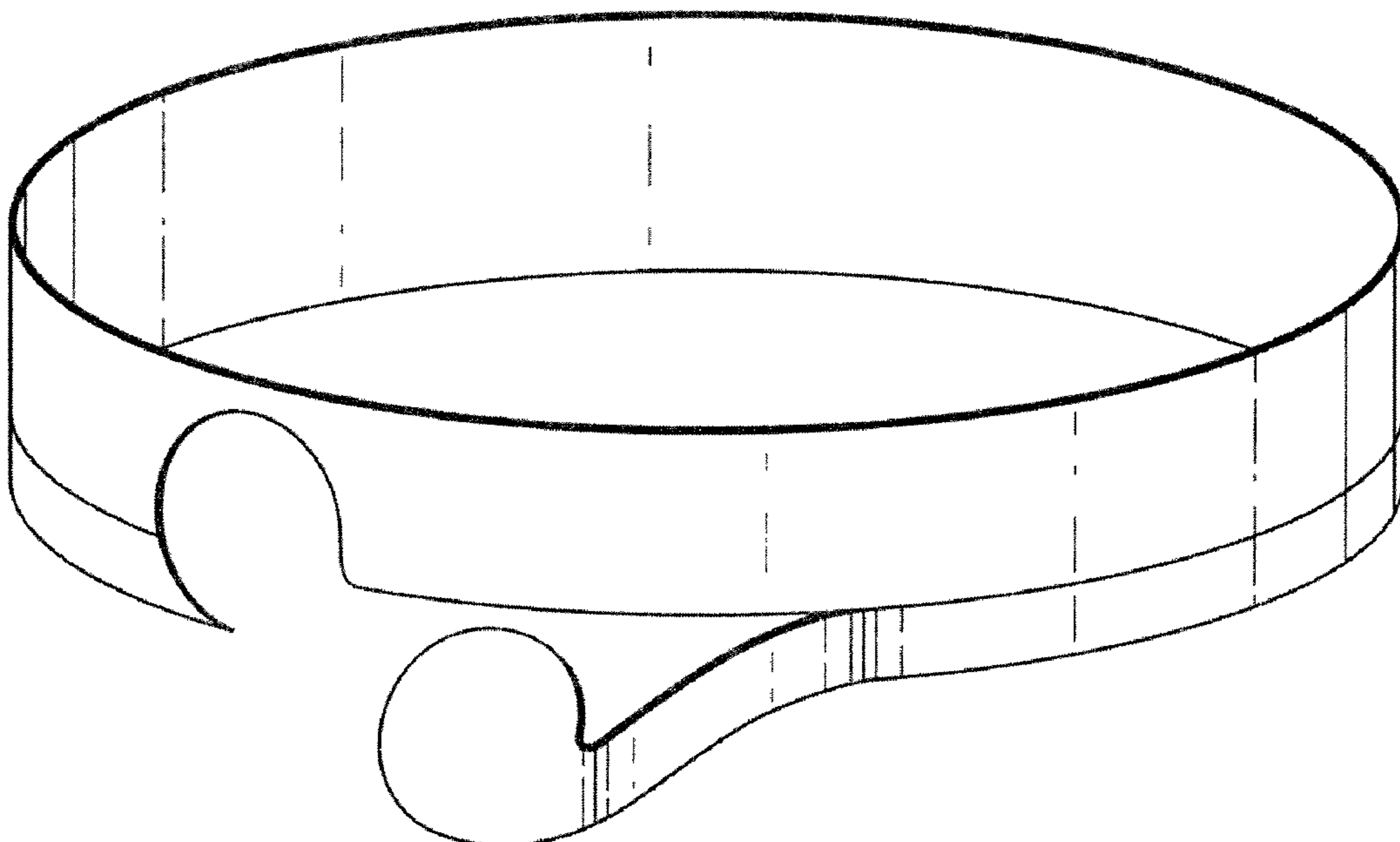


Fig. 5