



US00D634628S

(12) **United States Design Patent**  
**Goto et al.**

(10) **Patent No.:** **US D634,628 S**

(45) **Date of Patent:** **\*\* Mar. 22, 2011**

(54) **PLUG BODY FOR DRINK CONTAINER**

(75) Inventors: **Norifumi Goto**, Ichinomiya (JP);  
**Nobuyuki Kitamura**, Kyoto (JP)

(73) Assignee: **Thermos K. K.**, Niigata (JP)

(\*\*) Term: **14 Years**

(21) Appl. No.: **29/351,353**

(22) Filed: **Dec. 4, 2009**

(30) **Foreign Application Priority Data**

Sep. 25, 2009 (JP) ..... 2009-022187

(51) **LOC (9) Cl.** ..... **09-07**

(52) **U.S. Cl.** ..... **D9/435**; D9/434; D7/900

(58) **Field of Classification Search** ..... D9/435,  
D9/434, 387, 449, 454; 220/269, 271, 500,  
220/600, 619, 623; 413/31, 6, 8; 426/118;  
72/348, 349; D7/396.2, 398, 392.1, 608

See application file for complete search history.

(56) **References Cited**

**U.S. PATENT DOCUMENTS**

D31,399 S \* 8/1899 Case ..... D9/434  
D267,855 S \* 2/1983 French ..... D9/434  
D302,390 S \* 7/1989 Banasiak ..... D9/450

D359,417 S \* 6/1995 Chen ..... D7/510  
D388,320 S \* 12/1997 Lamb ..... D9/688  
D395,597 S \* 6/1998 Lamb ..... D9/688  
D398,813 S \* 9/1998 Franzese ..... D7/396.2  
D504,818 S \* 5/2005 Bakic ..... D9/449  
D538,110 S \* 3/2007 Kitamura et al. .... D7/608  
D581,791 S \* 12/2008 Bakic ..... D9/449  
D613,110 S \* 4/2010 Lane et al. .... D7/392.1  
D619,417 S \* 7/2010 Goto et al. .... D7/510  
D624,412 S \* 9/2010 Jenkins ..... D9/445

\* cited by examiner

*Primary Examiner* — Cynthia Underwood

(74) *Attorney, Agent, or Firm* — Boyle Fredrickson, S.C.

(57) **CLAIM**

The ornamental design for a plug body for drink container, as shown and described.

**DESCRIPTION**

FIG. 1 is a perspective view from above of a plug body for drink container, showing our new design:

FIG. 2 is a front view thereof;

FIG. 3 is a rear view thereof;

FIG. 4 is a top plan view thereof;

FIG. 5 is a bottom plan view thereof;

FIG. 6 is a left side view thereof; and,

FIG. 7 is a right side view thereof.

The broken lines are for illustrative purposes only and form no part of the claimed design.

**1 Claim, 4 Drawing Sheets**

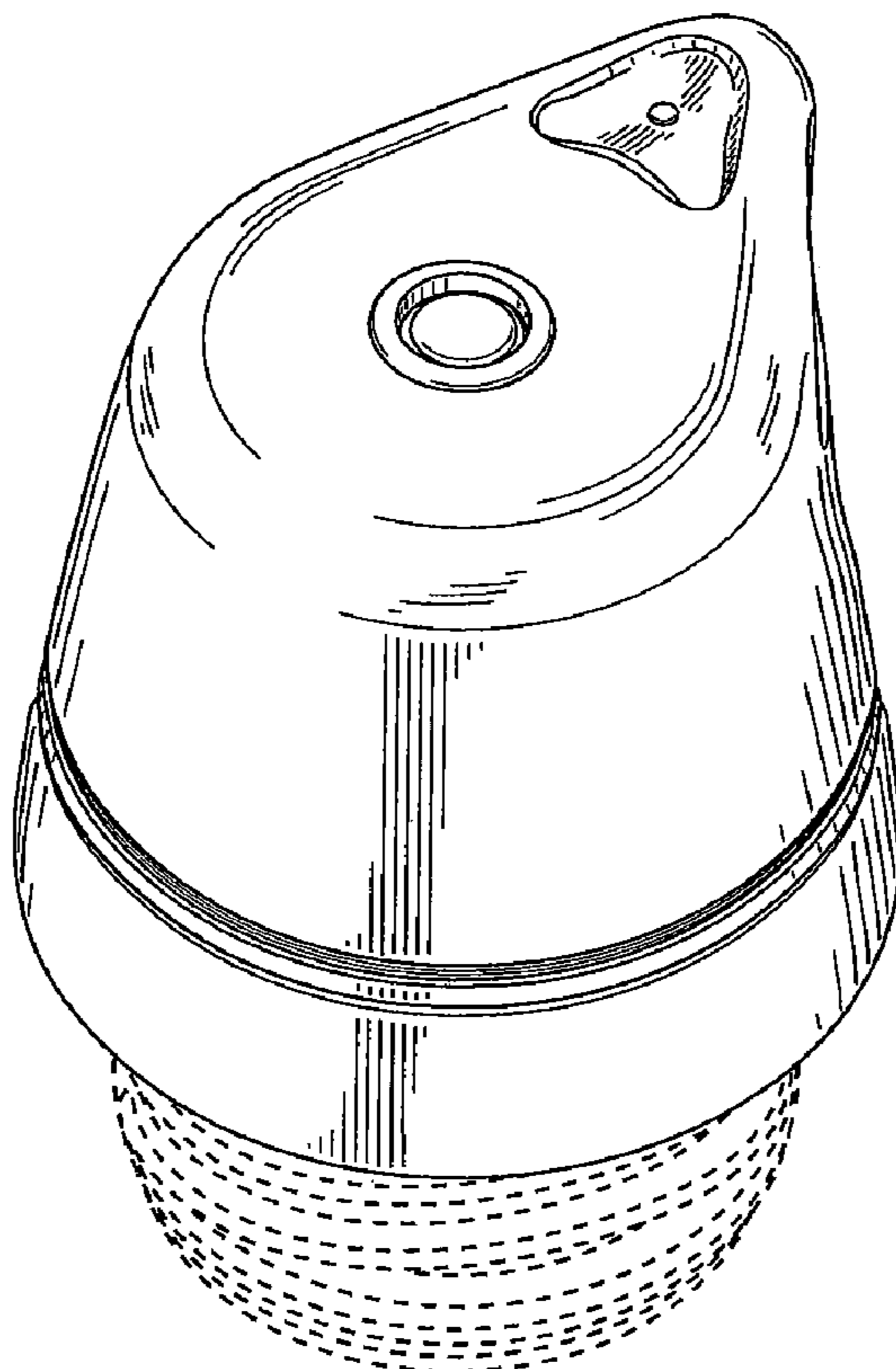


FIG. 1

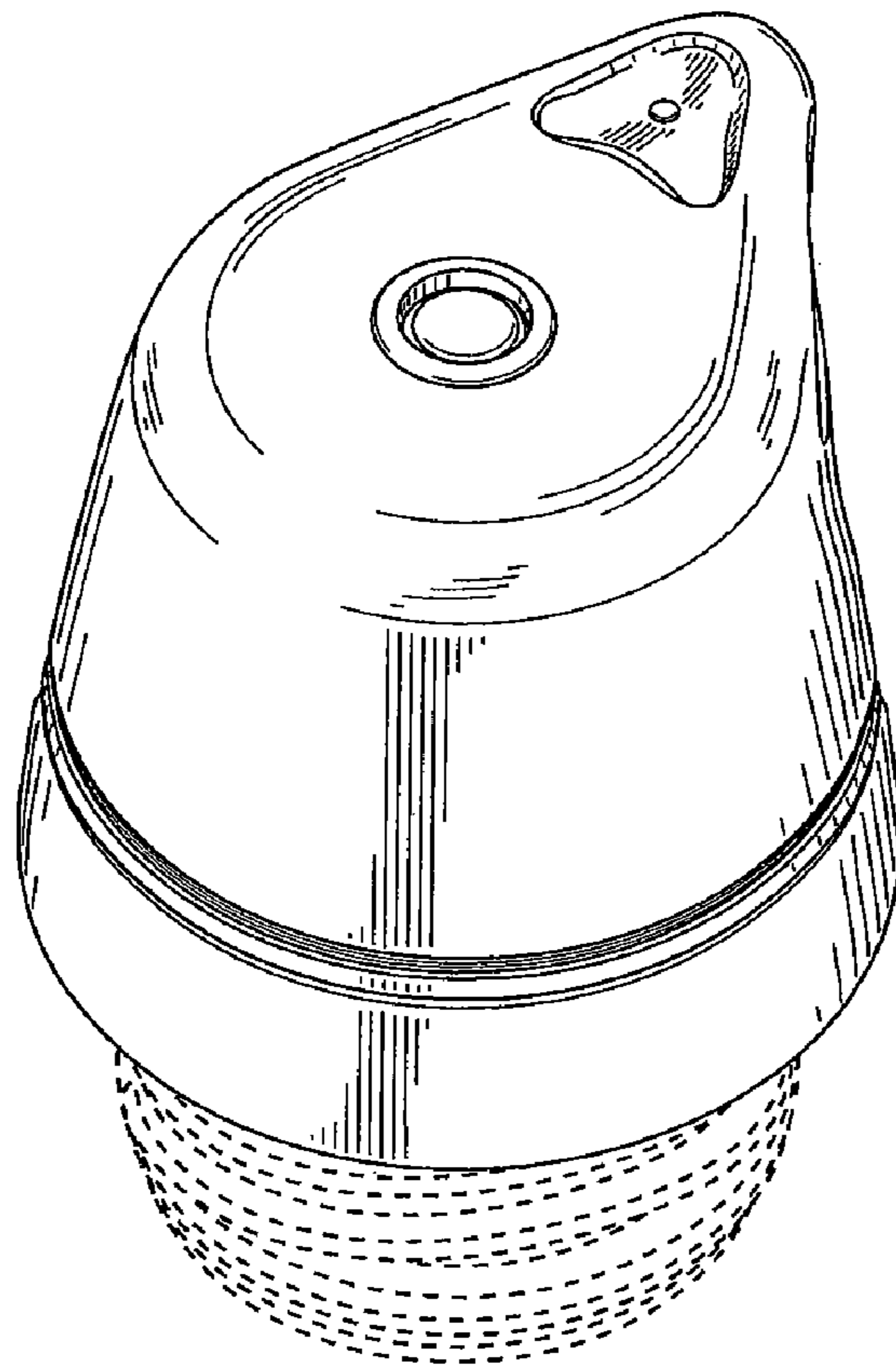


FIG.2

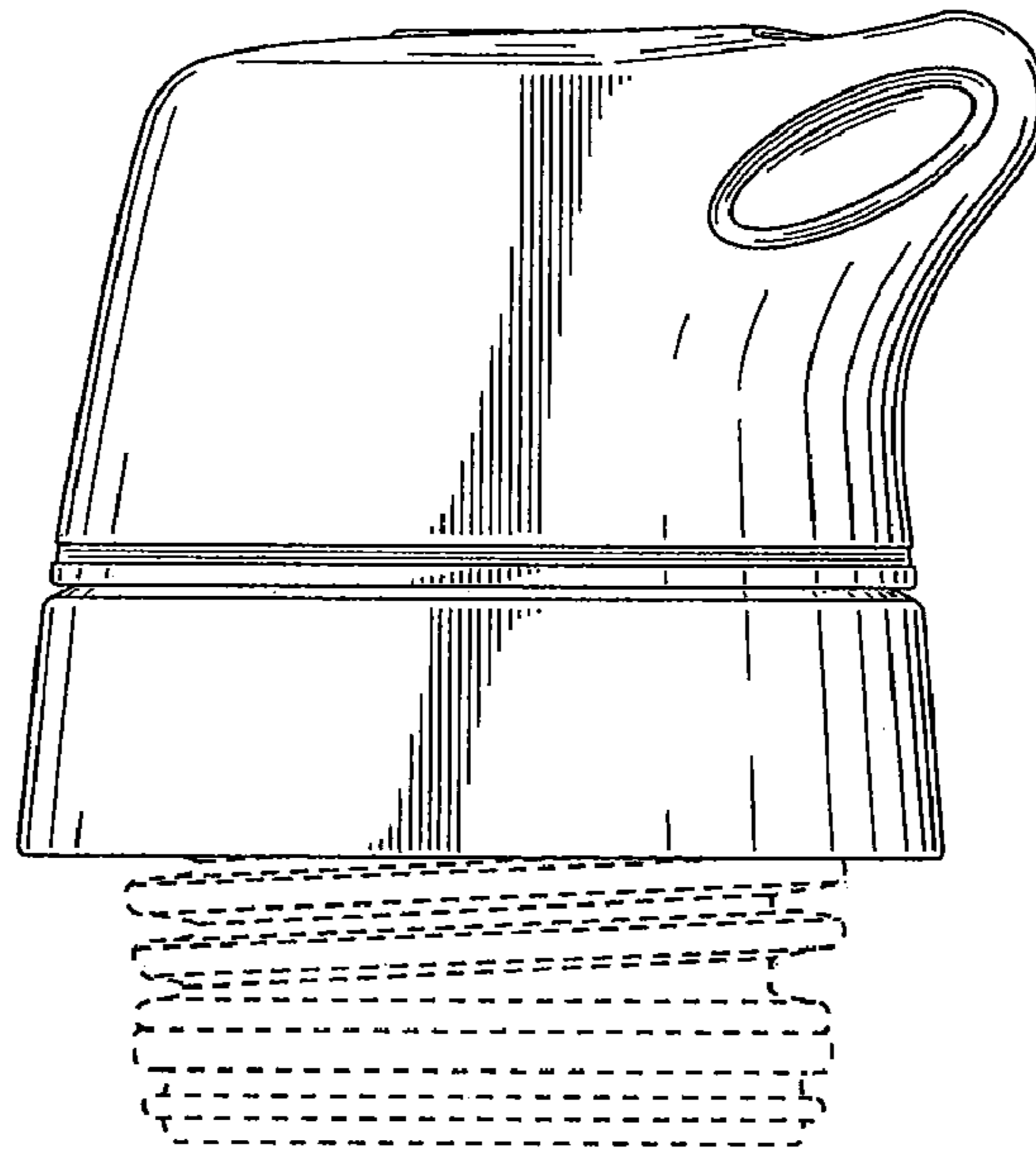


FIG.3

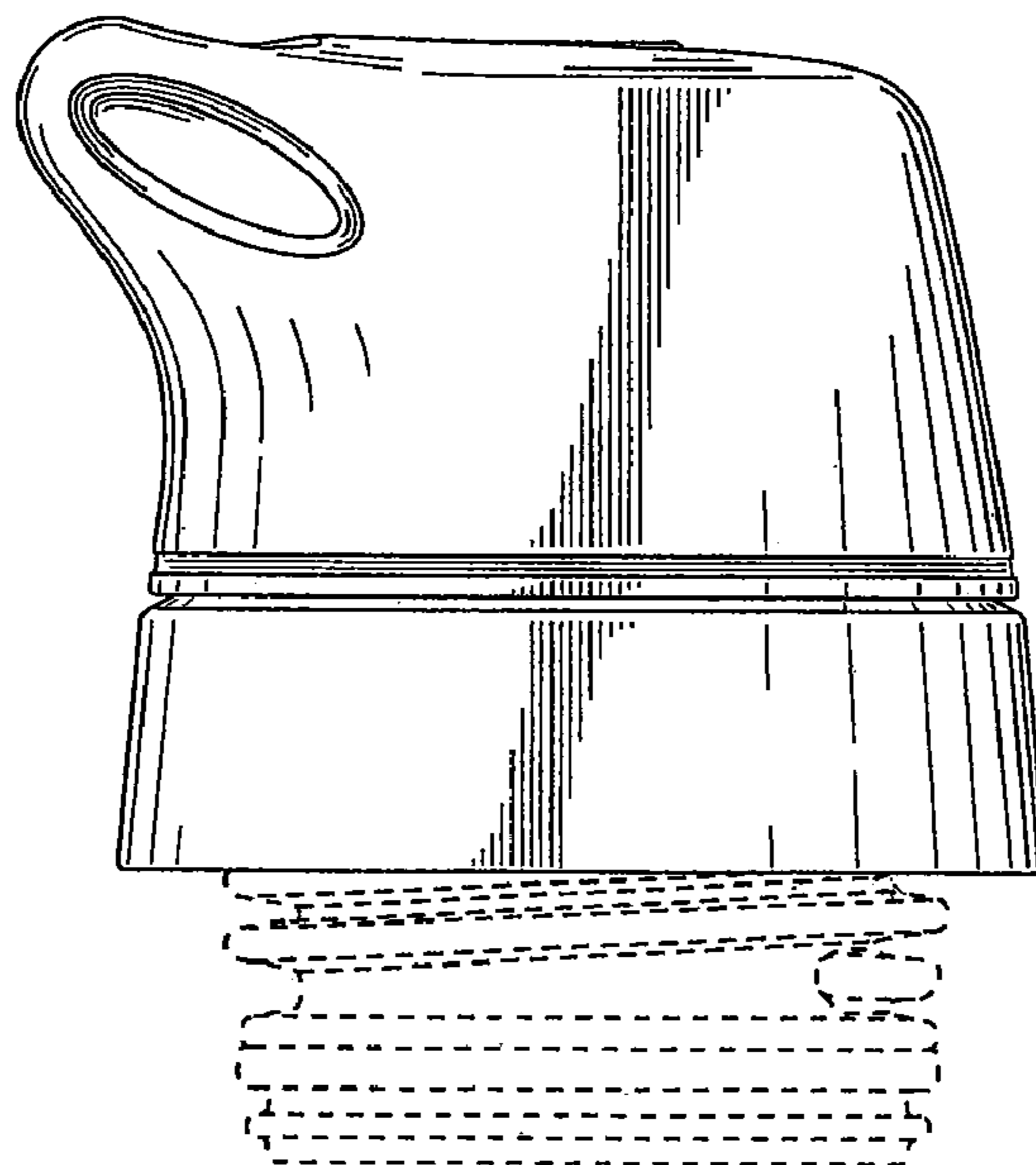


FIG.4

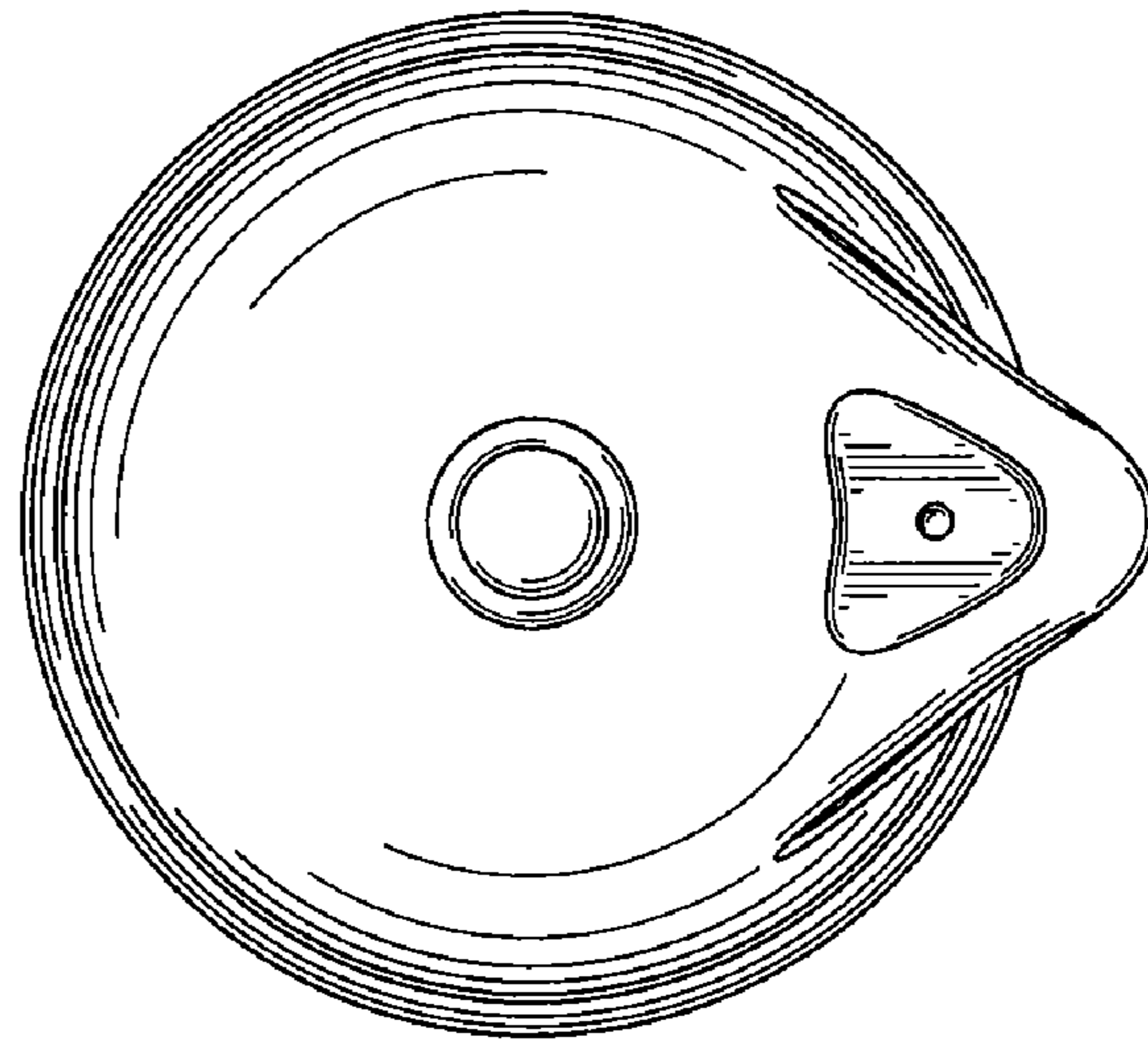


FIG.5

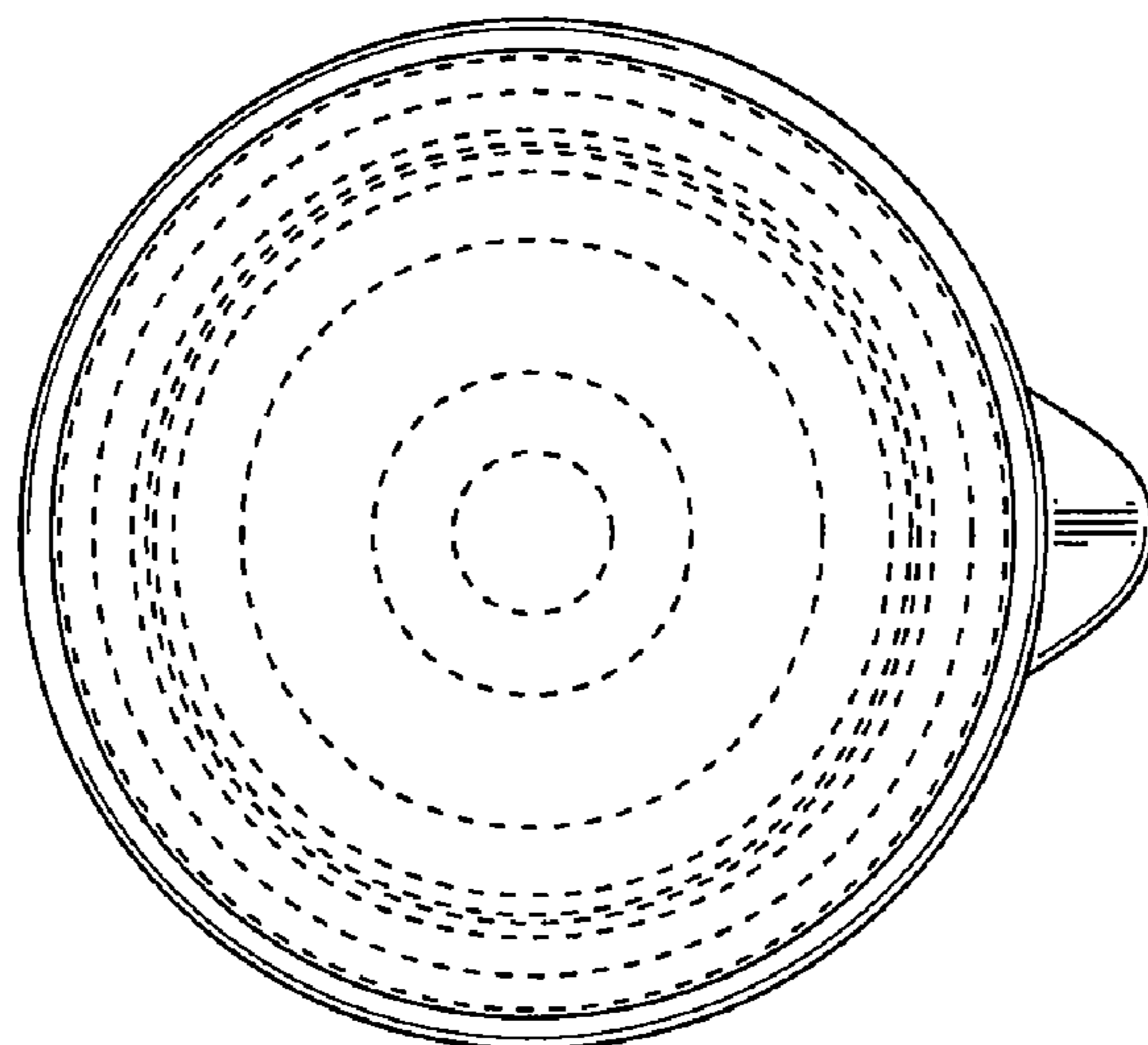


FIG.6

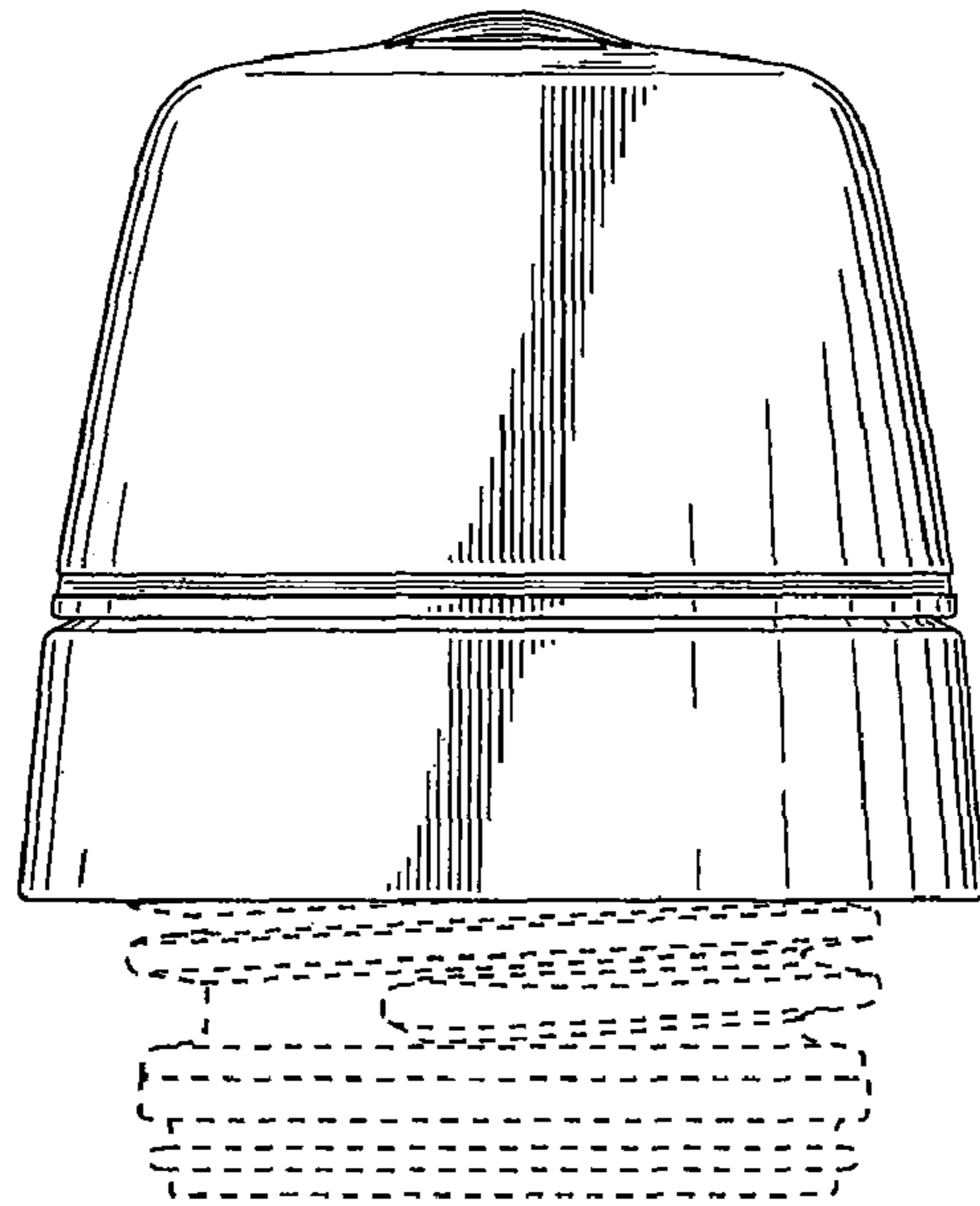


FIG.7

