

US00D634621S

(12) **United States Design Patent**  
**Edwards**

(10) **Patent No.:** **US D634,621 S**

(45) **Date of Patent:** **\*\* \*Mar. 22, 2011**

(54) **PACKAGE**

(75) Inventor: **Jonathan Christopher Edwards**, Bury  
St. Edmunds (GB)

(73) Assignee: **Alere Switzerland GmbH** (CH)

(\*) Notice: This patent is subject to a terminal disclaimer.

(\*\*) Term: **14 Years**

(21) Appl. No.: **29/316,143**

(22) Filed: **Aug. 27, 2009**

(51) **LOC (9) Cl.** ..... **09-03**

(52) **U.S. Cl.** ..... **D9/432**

(58) **Field of Classification Search** ..... D9/430-433,  
D9/414, 418, 420-423; D24/155; 206/278,  
206/297, 299, 457, 770, 737, 822; 229/100,  
229/101, 101.3, 106, 108, 108.1, 116.1, 116.3,  
229/116.5, 121, 122, 201, 213, 221, 222,  
229/227, 922, 939, 942, 87.08, 101.2, 193,  
229/195, 197; D5/7, 11, 12, 14, 16, 19, 20,  
D5/25, 26, 27, 30, 57, 47, 53, 61-63  
See application file for complete search history.

(56) **References Cited**

**U.S. PATENT DOCUMENTS**

D104,201 S *	4/1937	Spencer	.....	D20/40
D420,906 S *	2/2000	Nash et al.	.....	D9/415
D486,733 S *	2/2004	Murning et al.	.....	D28/8.1
D496,274 S *	9/2004	Egawa	.....	D9/432
D526,194 S *	8/2006	Hamuro et al.	.....	D9/432
D536,038 S *	1/2007	Frendberg et al.	.....	D20/27
D558,058 S *	12/2007	Raso et al.	.....	D9/600
D569,423 S *	5/2008	Lasch et al.	.....	D19/9
D572,305 S *	7/2008	Lasch et al.	.....	D19/9
D589,359 S *	3/2009	Kusumi	.....	D9/600

7,582,075 B2 *	9/2009	Betts et al.	.....	604/385.01
D608,636 S *	1/2010	Seol	.....	D9/432
D619,454 S *	7/2010	Fluegel et al.	.....	D9/423
D619,890 S *	7/2010	Paredes et al.	.....	D9/432
2003/0234199 A1 *	12/2003	Morita et al.	.....	206/459.5
2009/0281471 A1 *	11/2009	Iwahashi et al.	.....	602/54

\* cited by examiner

*Primary Examiner* — T. Chase Nelson

*Assistant Examiner* — Karen Acker

(74) *Attorney, Agent, or Firm* — Dobrusin & Thennisch PC

(57) **CLAIM**

The ornamental design for a package, as shown and described.

**DESCRIPTION**

The patent or application file contains at least one drawing executed in color. Copies of this patent or patent application publication with color drawings(s) will be provided by the Office upon request and payment of the necessary fee.

FIG. 1 is a perspective view of one embodiment of the present invention.

FIG. 2 is a bottom perspective view of reverse side of the embodiment of FIG. 1.

FIG. 3 is a top elevational view of the embodiment shown in FIG. 1.

FIG. 4 is a front elevational view of the embodiment shown in FIG. 1.

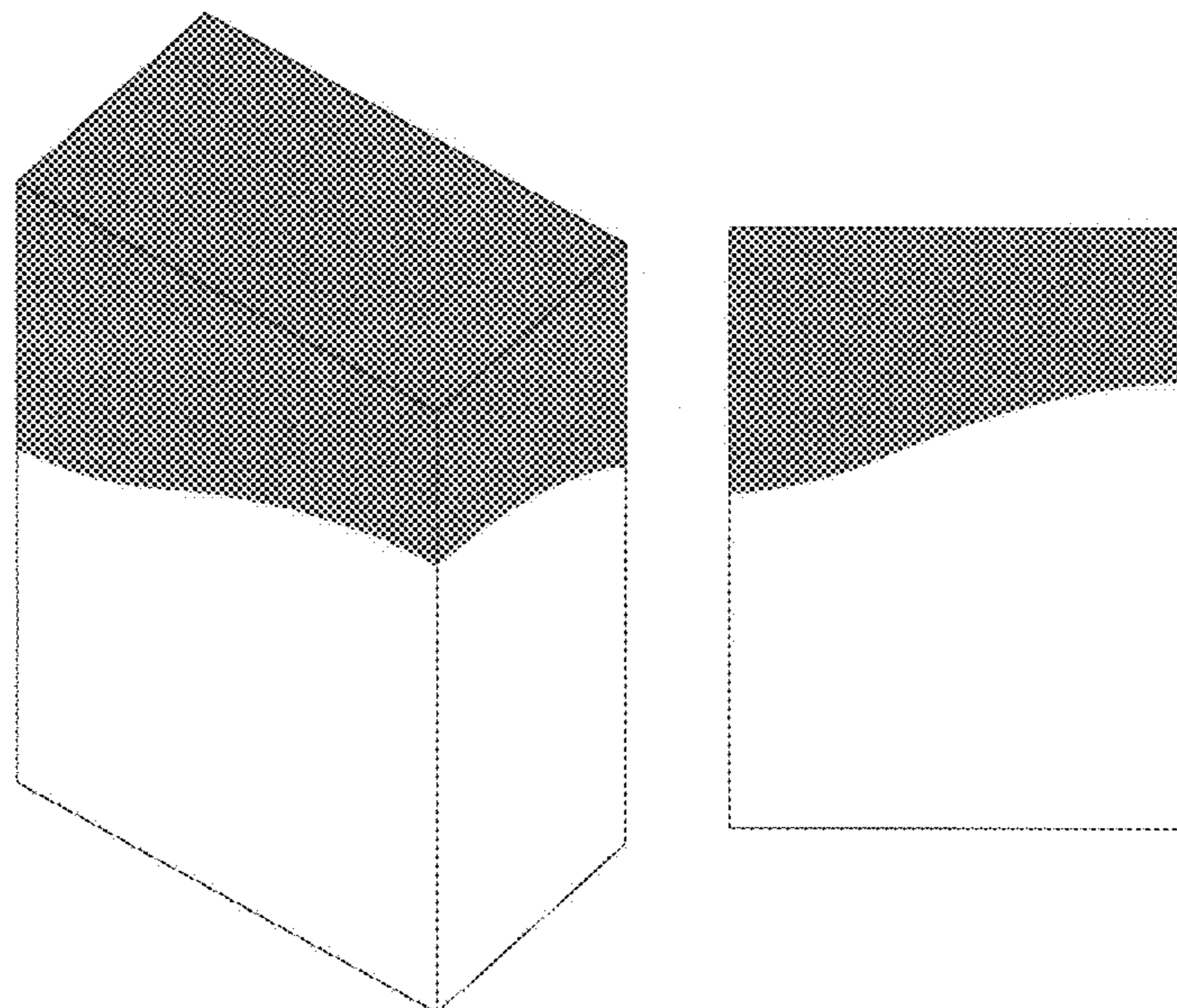
FIG. 5 is a side elevational view of the embodiment shown in FIG. 1.

FIG. 6 is a back elevational view of the embodiment shown in FIG. 1.

FIG. 7 is a side elevational view of the other side of the embodiment shown in FIG. 1; and,

FIG. 8 is a bottom elevational view of the embodiment shown in FIG. 1.

**1 Claim, 4 Drawing Sheets**  
**(4 of 4 Drawing Sheet(s) Filed in Color)**



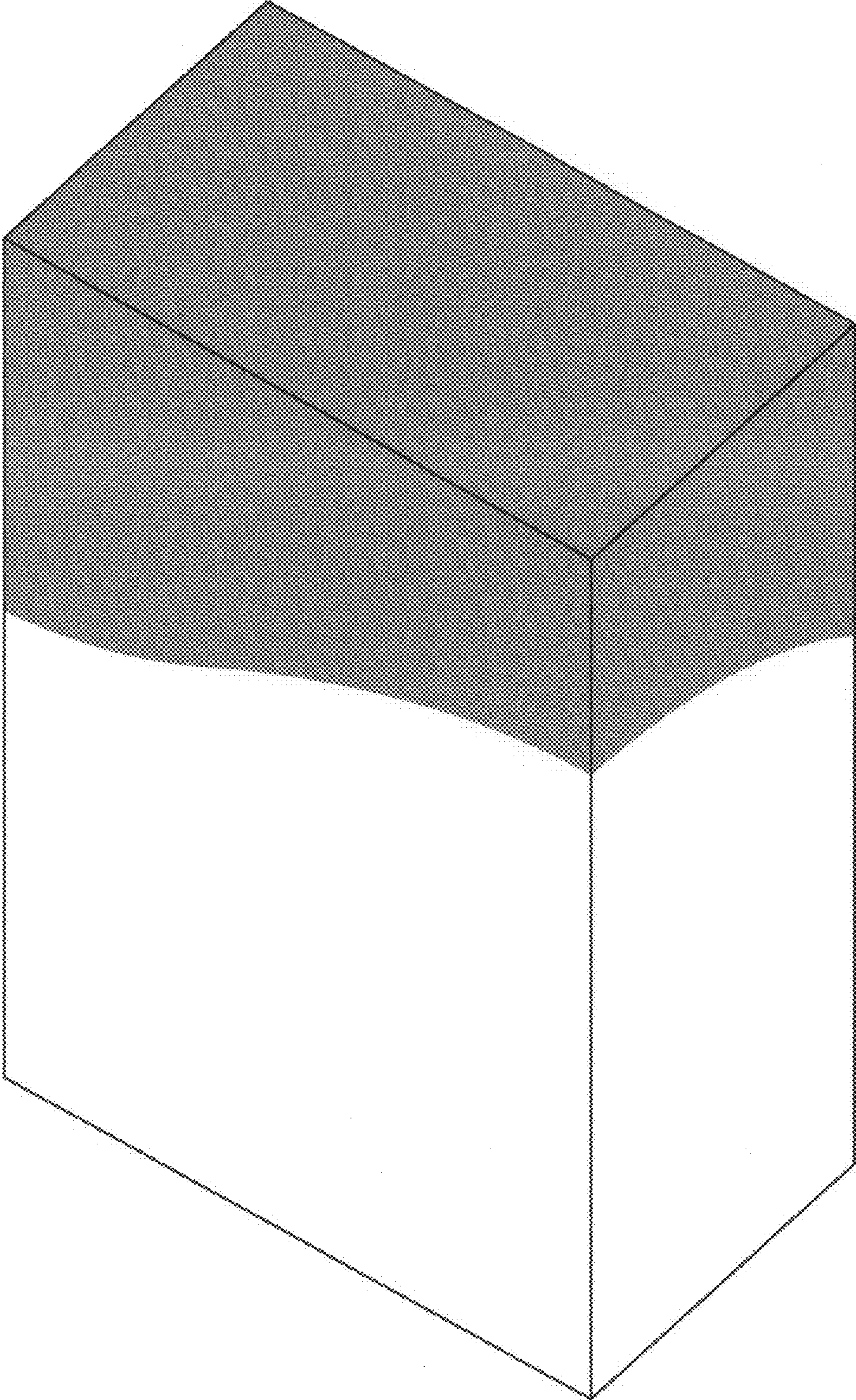


FIG. 1

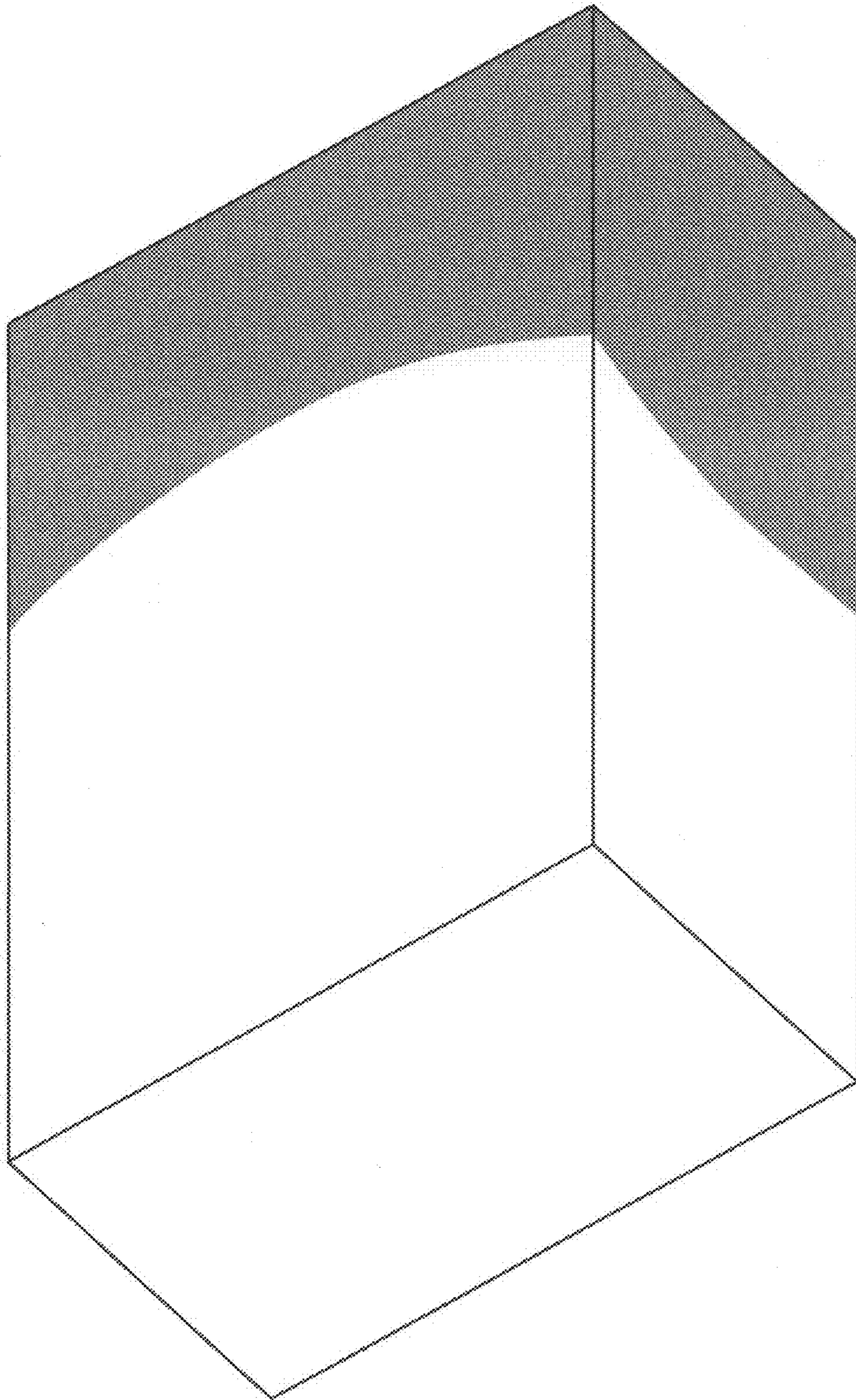


FIG. 2

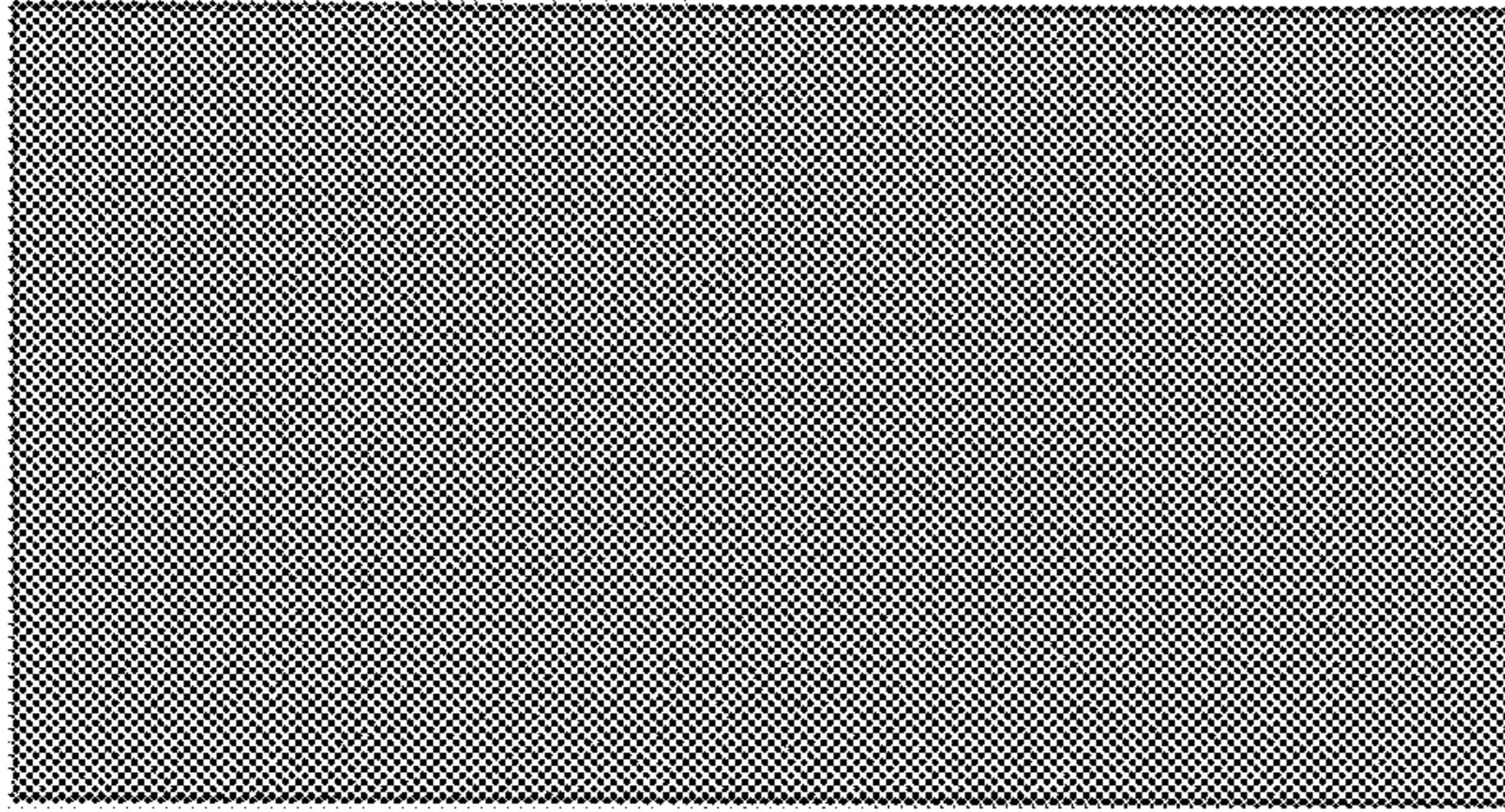


FIG. 3

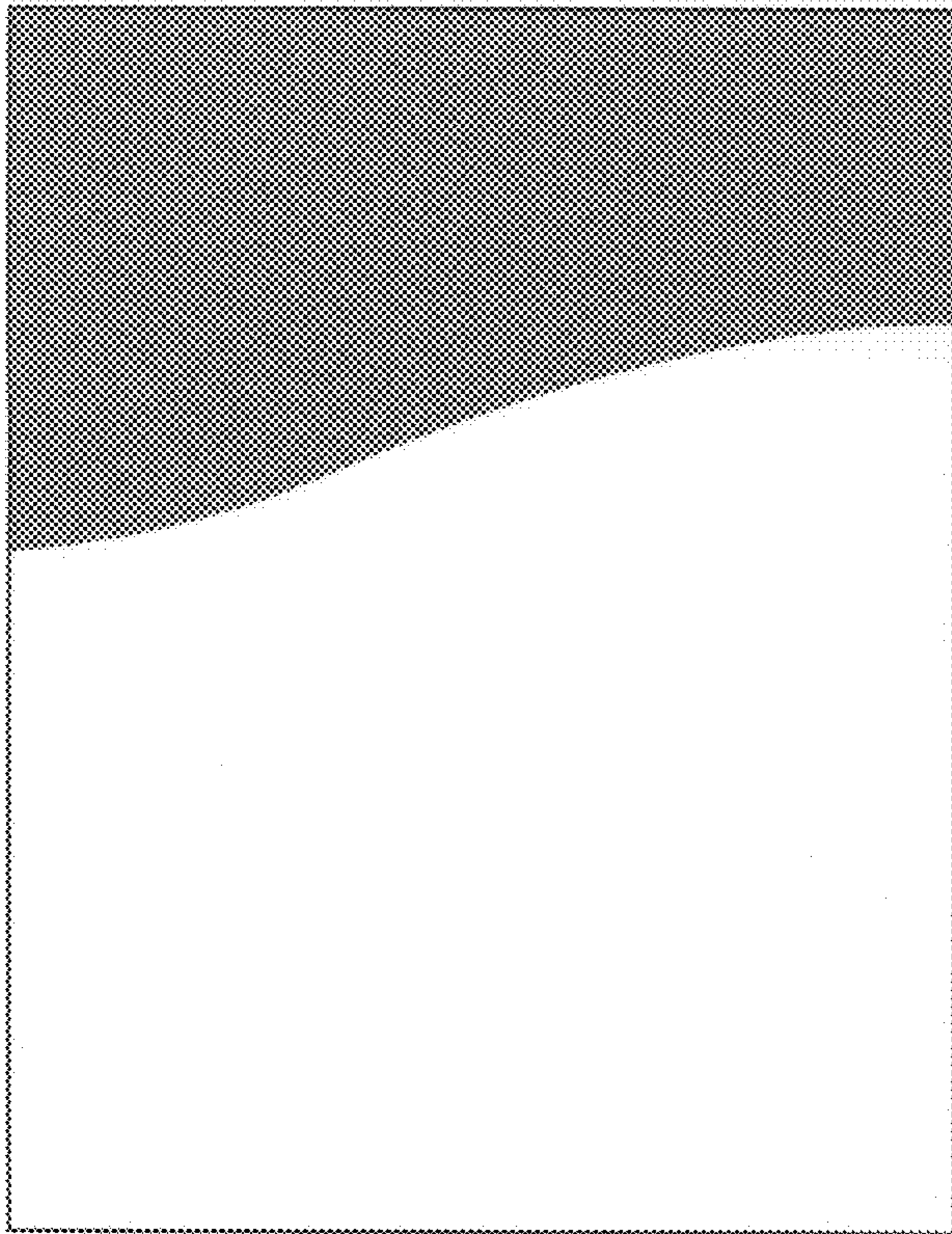


FIG. 4

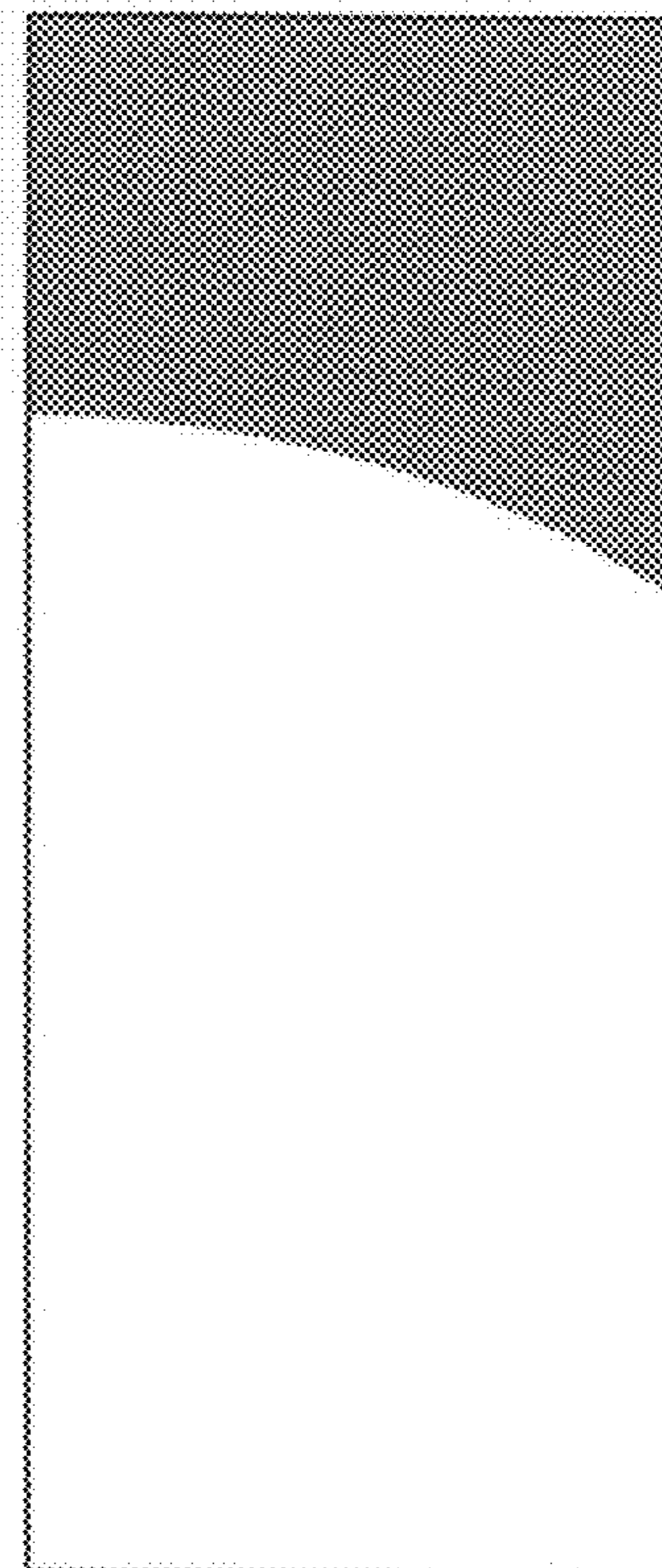


FIG. 5

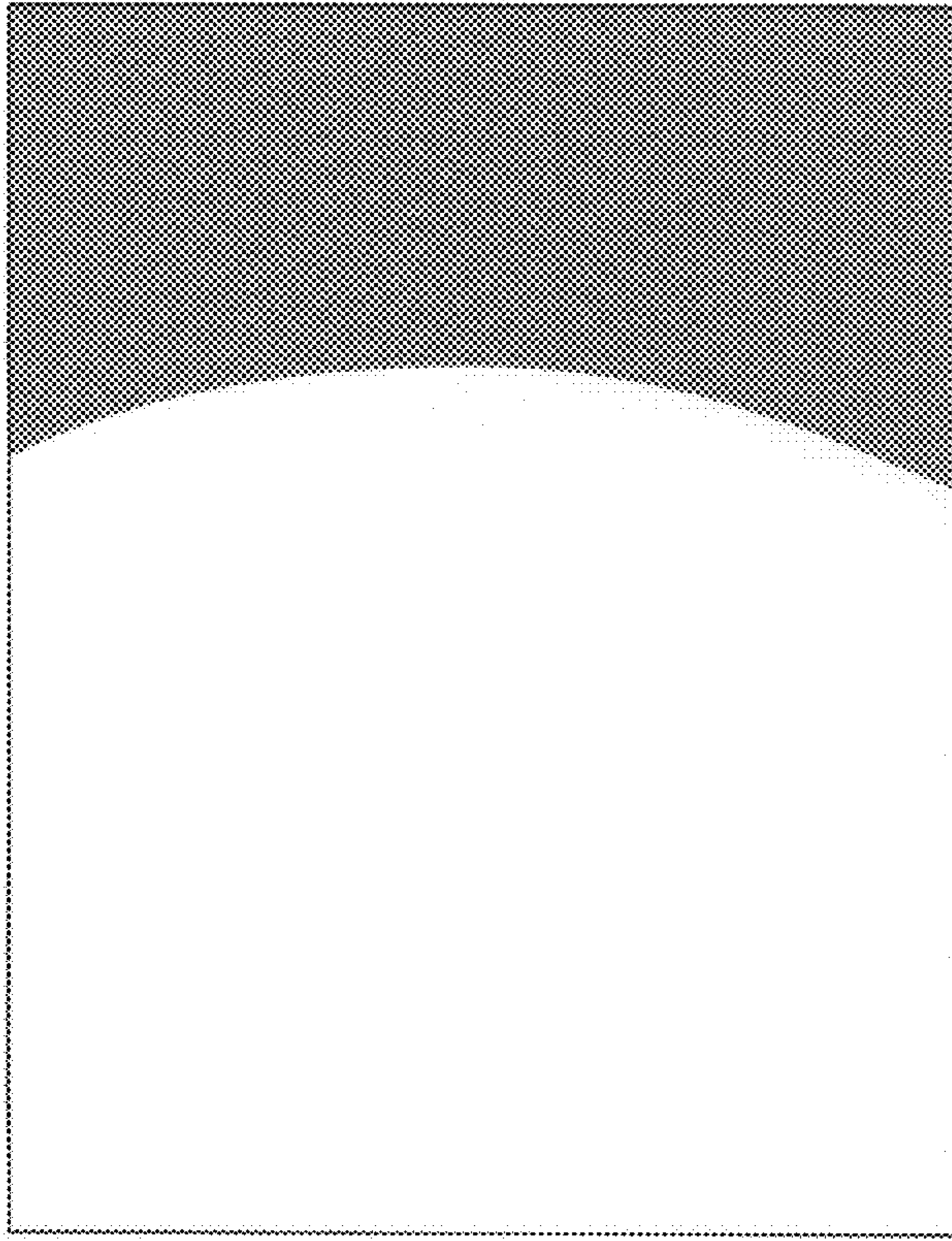


FIG. 6

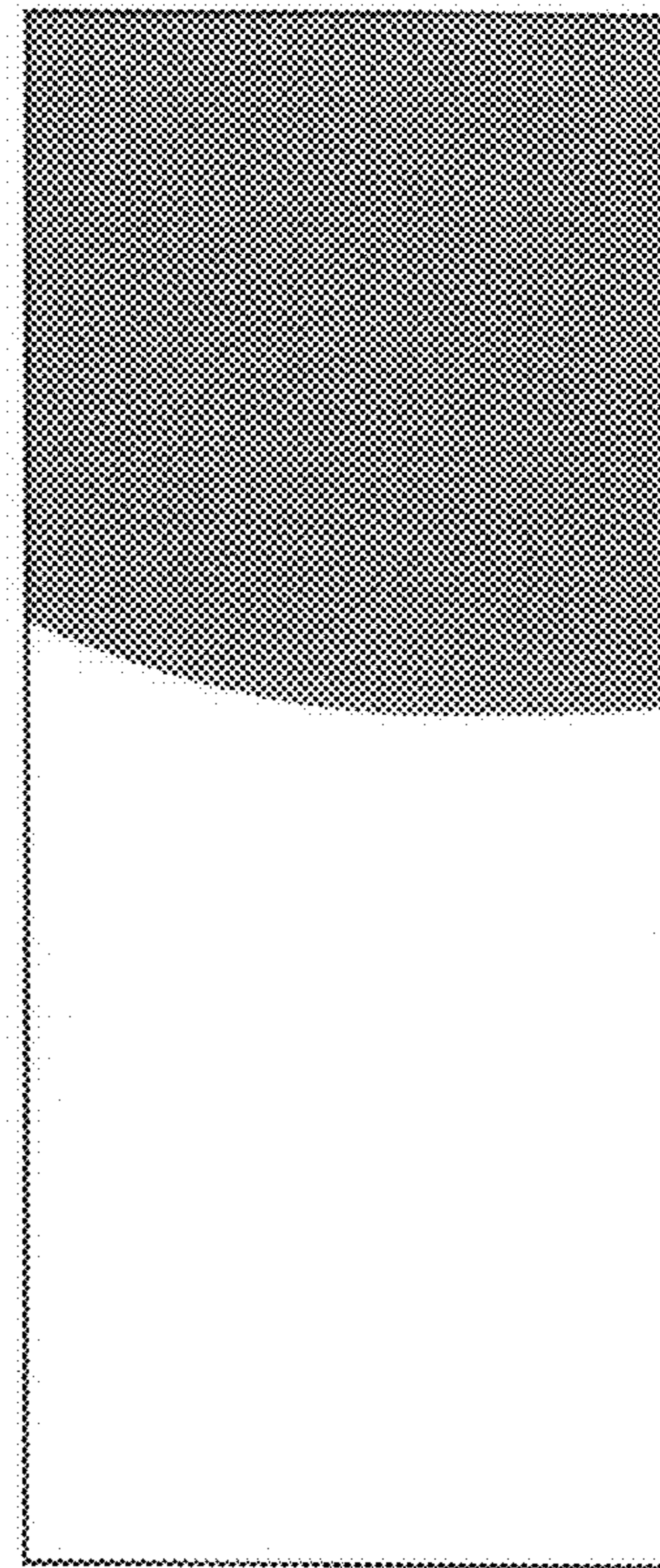


FIG. 7

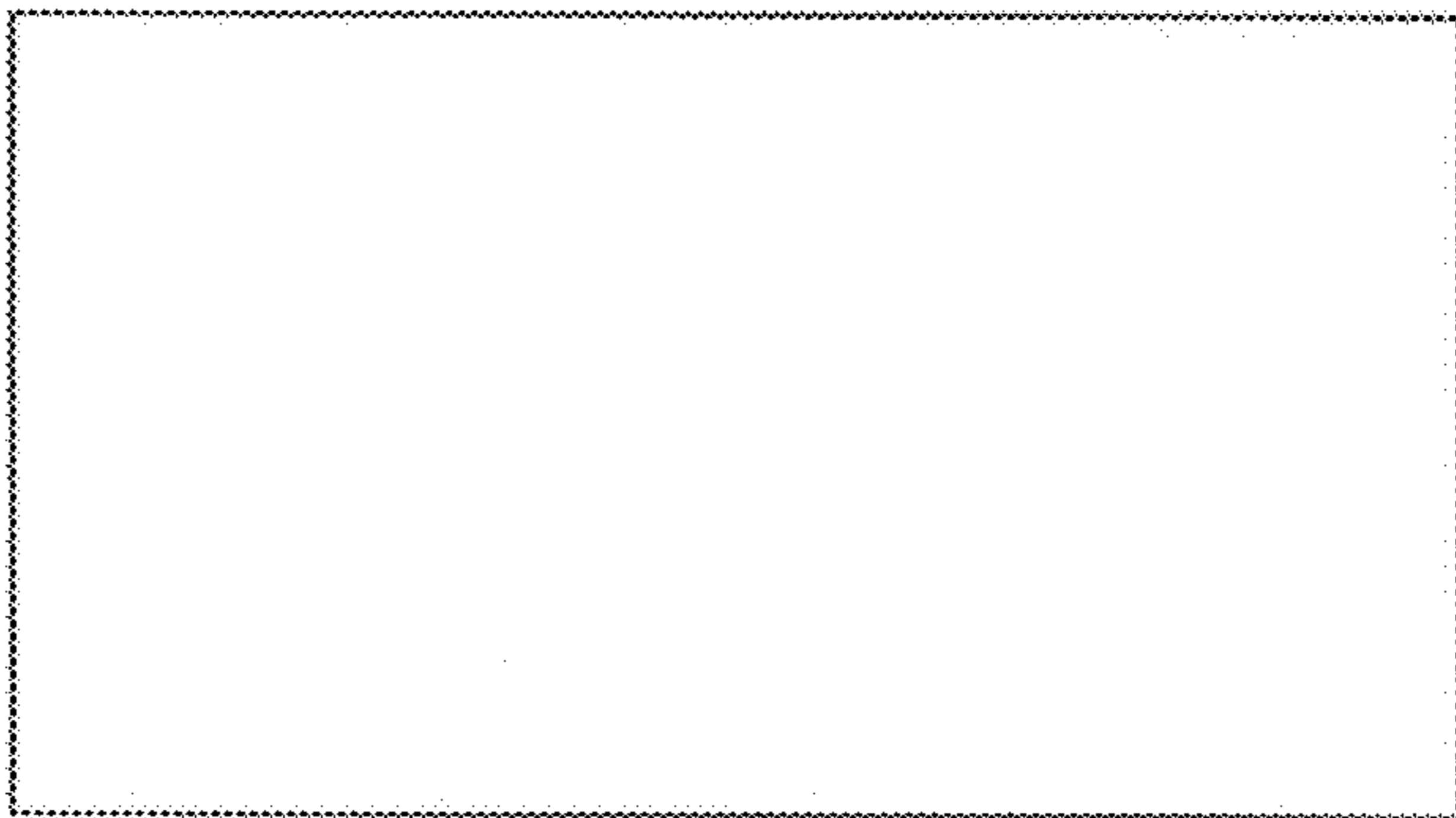


FIG. 8