



US00D634618S

(12) **United States Design Patent**
Colacitti

(10) **Patent No.:** **US D634,618 S**

(45) **Date of Patent:** **** *Mar. 22, 2011**

(54) **ROUND CONTAINER**

(75) Inventor: **Gregory Colacitti**, Toronto (CA)

(73) Assignee: **Tripak Industrial Corporation**, Ontario (CA)

(*) Notice: This patent is subject to a terminal disclaimer.

(**) Term: **14 Years**

(21) Appl. No.: **29/318,372**

(22) Filed: **May 19, 2008**

Related U.S. Application Data

(63) Continuation-in-part of application No. 29/317,171, filed on Apr. 23, 2008, now Pat. No. Des. 594,324.

(51) **LOC (9) Cl.** **09-03**

(52) **U.S. Cl.** **D9/425; D7/354**

(58) **Field of Classification Search** D7/354-359, D7/391-392.1, 396.2, 500-505, 510-511, D7/538-545, 602, 629; D9/414-418, 420-435, D9/440-454, 629, 737, 761; D30/129; 119/61.5; 206/503, 521.1, 541, 564; 220/23.8, 23.83, 220/315, 324-326, 367, 556, 835; 229/110, 229/406-407, 902-906

See application file for complete search history.

(56) **References Cited**

U.S. PATENT DOCUMENTS

2,798,631 A	7/1957	Engel
2,880,859 A	4/1959	Tupper
3,394,861 A	7/1968	Truax
3,720,365 A	3/1973	Unger
3,861,433 A	1/1975	Schier et al.
D239,999 S	5/1976	Christian
3,955,710 A	5/1976	Commisso
D241,399 S	9/1976	Christian et al.

4,042,143 A	8/1977	Biggins
D246,289 S	11/1977	Boucher
4,124,141 A	11/1978	Armentrout et al.
D254,166 S	2/1980	Christian
D263,684 S	4/1982	Davis
4,360,118 A	11/1982	Stern
RE32,739 E	8/1988	Terauds
D309,554 S	7/1990	Meisner
4,974,738 A	12/1990	Kidd et al.
5,046,659 A	9/1991	Warburton
D335,085 S	4/1993	Wacker

(Continued)

FOREIGN PATENT DOCUMENTS

JP 09-077005 3/1997

(Continued)

Primary Examiner — Ricky Pham

(74) *Attorney, Agent, or Firm* — Pabst Patent Group LLP

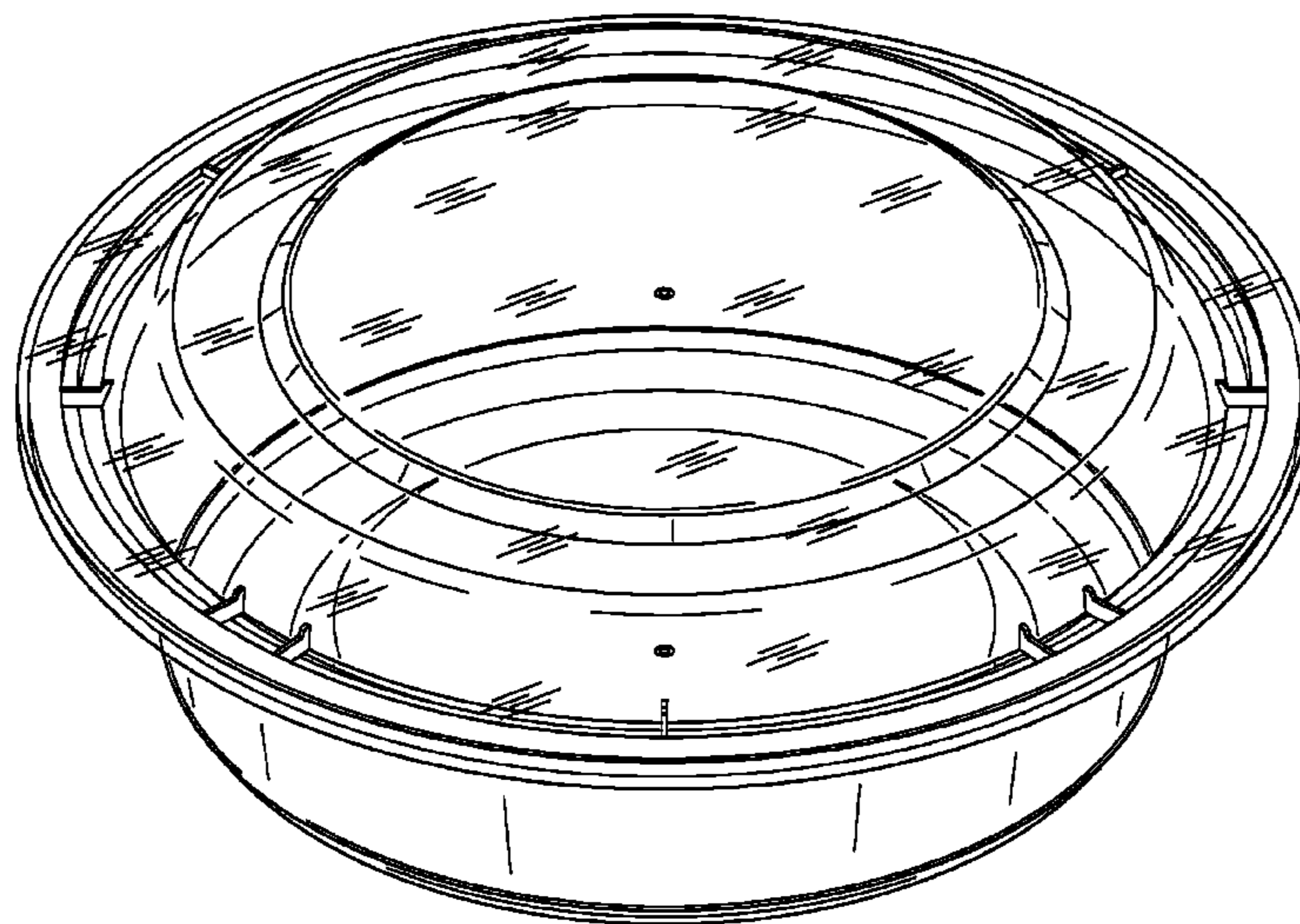
(57) **CLAIM**

The ornamental design for a round container, as shown and described.

DESCRIPTION

FIG. 1 is a side elevational view of the container with lid, with the other side elevational views being mirror images thereof; FIG. 2 is a top plan view of the container with lid; FIG. 3 is a bottom plan view of the container with lid; FIG. 4 is a perspective view of the container with lid; FIG. 5 is a side elevational view of the container, with the other side elevational view being a mirror image thereof; shown without the lid for ease of illustration; FIG. 6 is a perspective view of the container; FIG. 7 is a side elevational view of the lid, with the other side elevational view being a mirror image thereof; shown without the container for ease of illustration; FIG. 8 is a top plan view of the lid; and FIG. 9 is a bottom plan view of the lid.

1 Claim, 9 Drawing Sheets



US D634,618 S

Page 2

U.S. PATENT DOCUMENTS

5,220,999 A 6/1993 Goulette
D339,744 S 9/1993 Seppala
D344,660 S 3/1994 Krupa
D346,554 S 5/1994 Krupa
5,356,026 A 10/1994 Andress
5,377,860 A 1/1995 Littlejohn et al.
5,395,003 A 3/1995 Matsuda
D357,552 S 4/1995 Carranza
D361,035 S 8/1995 Krupa
D363,879 S 11/1995 Krupa et al.
D367,589 S 3/1996 Zimmerman
5,515,993 A 5/1996 McManus
D371,938 S 7/1996 Davis
D372,163 S 7/1996 Ahern, Jr.
D372,164 S 7/1996 Ahern, Jr.
D372,862 S 8/1996 Fiori
5,542,234 A 8/1996 Wyslowsky et al.
D373,954 S 9/1996 Wolff
D374,820 S 10/1996 Knoss et al.
D375,261 S 11/1996 Fiori
D376,314 S 12/1996 Krupa
D380,124 S 6/1997 Kato et al.
D381,267 S 7/1997 Rush et al.
D381,268 S 7/1997 Rush et al.
D382,796 S 8/1997 Mangla
D389,057 S 1/1998 Hayes et al.
D400,394 S 11/1998 Banach
D407,015 S 3/1999 Jones
5,897,011 A 4/1999 Brilliant et al.
D409,485 S 5/1999 Christy, Jr.
D415,420 S 10/1999 Chen

D417,367 S 12/1999 Laib
D439,159 S 3/2001 Chen
D467,497 S 12/2002 Liu et al.
D469,689 S 2/2003 Buchalski et al.
D475,621 S 6/2003 Buchalski et al.
D476,861 S 7/2003 Zeetle et al.
D486,358 S 2/2004 Dais et al.
6,700,106 B2 3/2004 Cochran, II et al.
D491,455 S 6/2004 Li et al.
D497,548 S 10/2004 Nordland
7,055,712 B2 6/2006 Tang
7,124,910 B2 10/2006 Nordland
D545,627 S 7/2007 Chatterton et al.
D549,050 S 8/2007 Spencer et al.
D569,243 S * 5/2008 Kidd et al. D9/425
D587,568 S * 3/2009 Shields D9/428
D592,499 S * 5/2009 Colacitti D9/425
D592,500 S * 5/2009 Colacitti D9/425
D594,324 S * 6/2009 Colacitti D9/425
D594,325 S * 6/2009 Colacitti D9/425
D594,326 S * 6/2009 Colacitti D9/425
D598,744 S * 8/2009 Shields D9/428
D601,309 S * 9/2009 Babal D30/129
D606,368 S * 12/2009 Wu D7/629
D607,284 S * 1/2010 Ho D7/629
D614,950 S * 5/2010 Colacitti D9/425
2007/0034161 A1 * 2/2007 Thompson 119/61.5

FOREIGN PATENT DOCUMENTS

JP 09-132242 5/1997

* cited by examiner

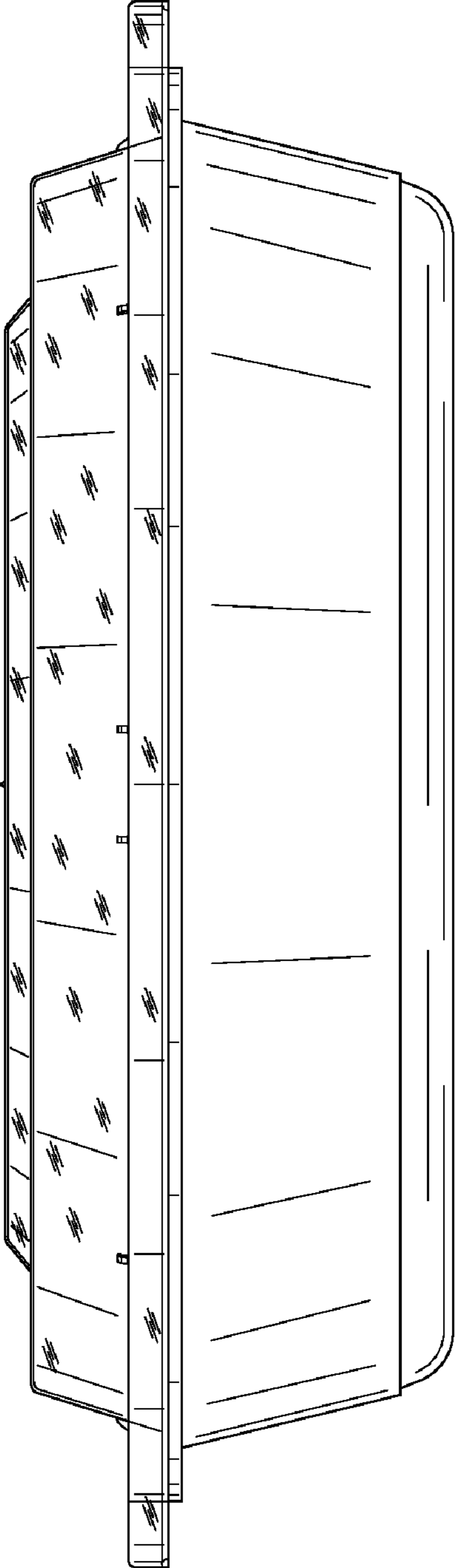


FIG. 1

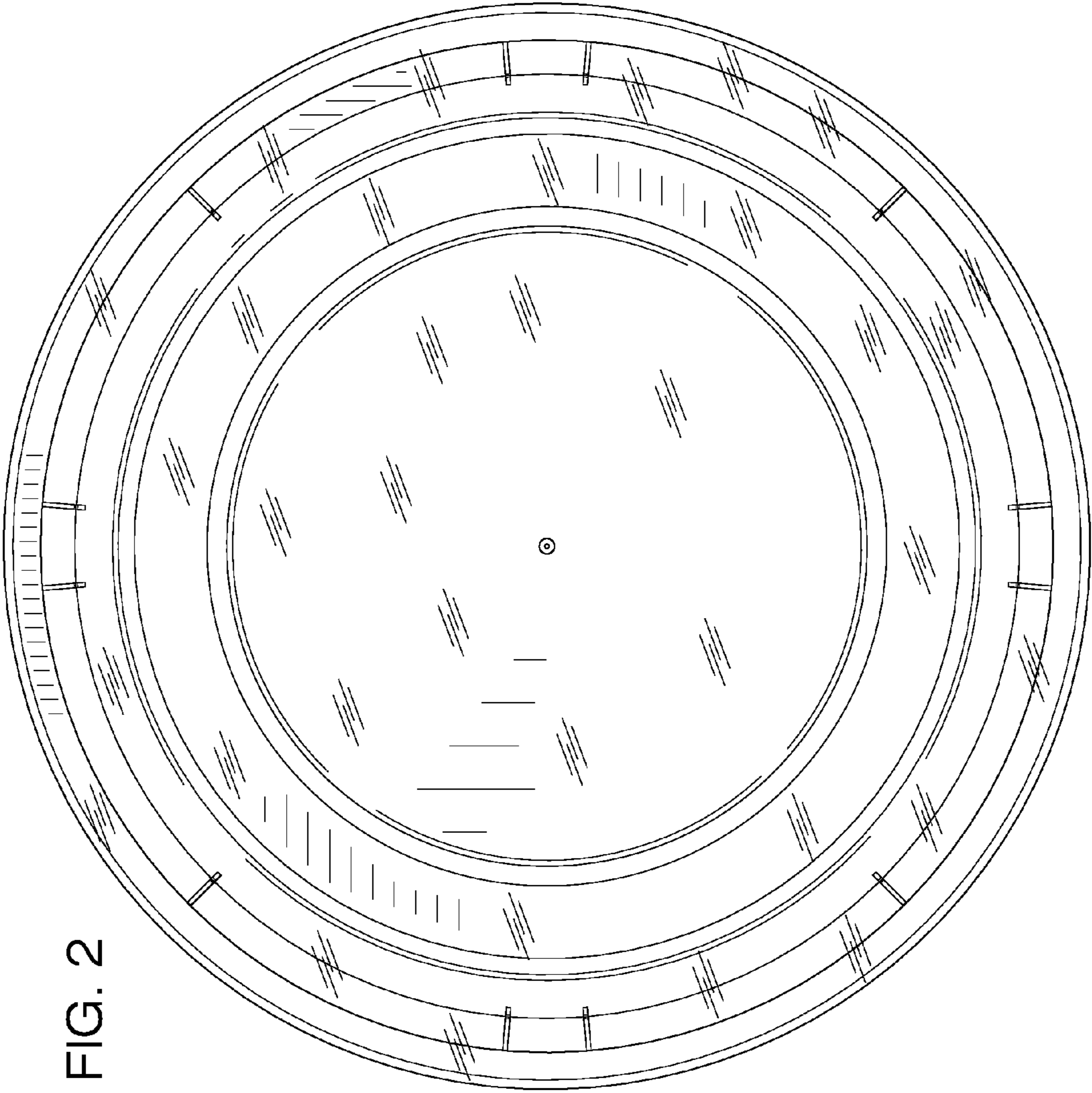


FIG. 2

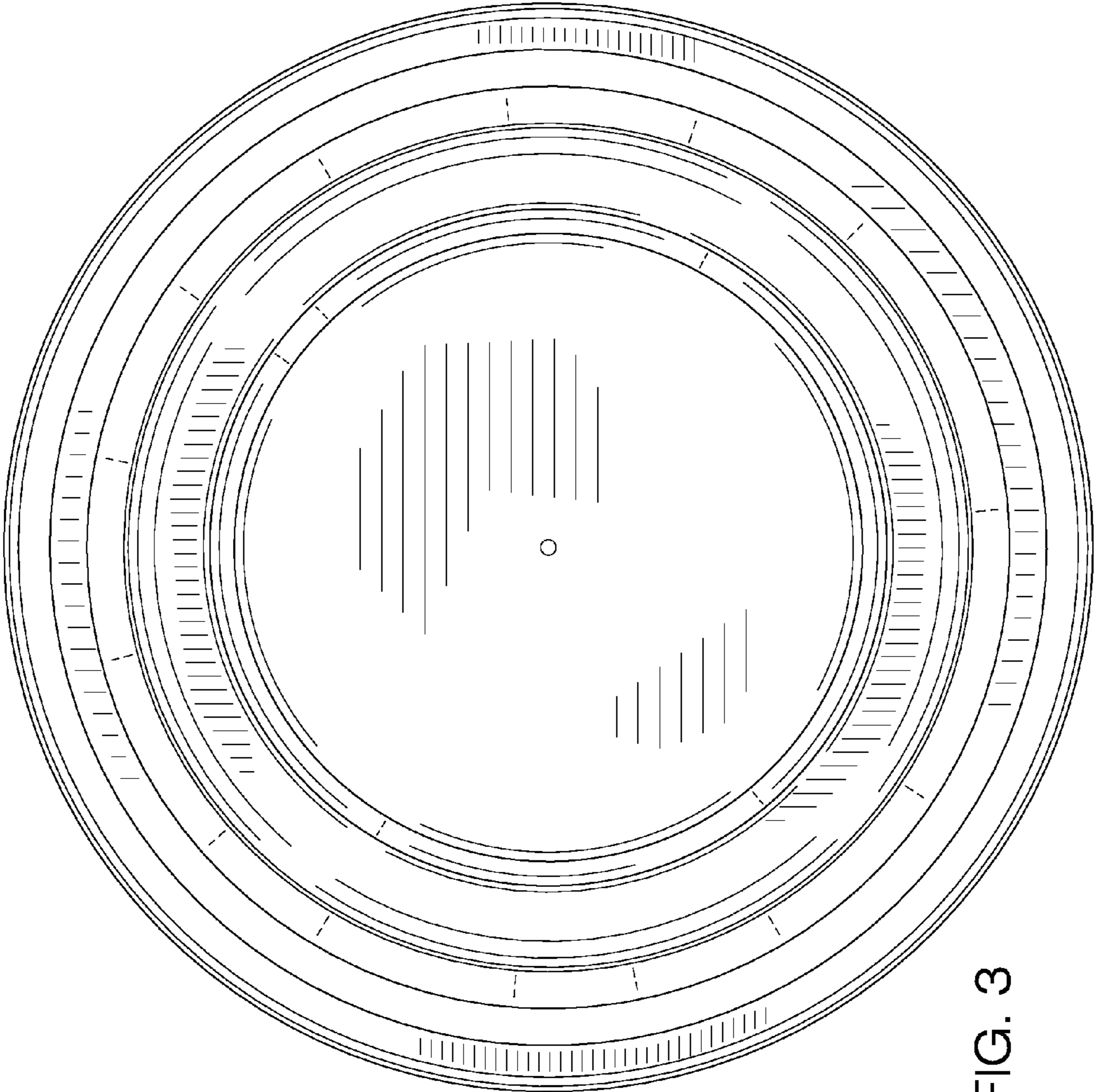


FIG. 3

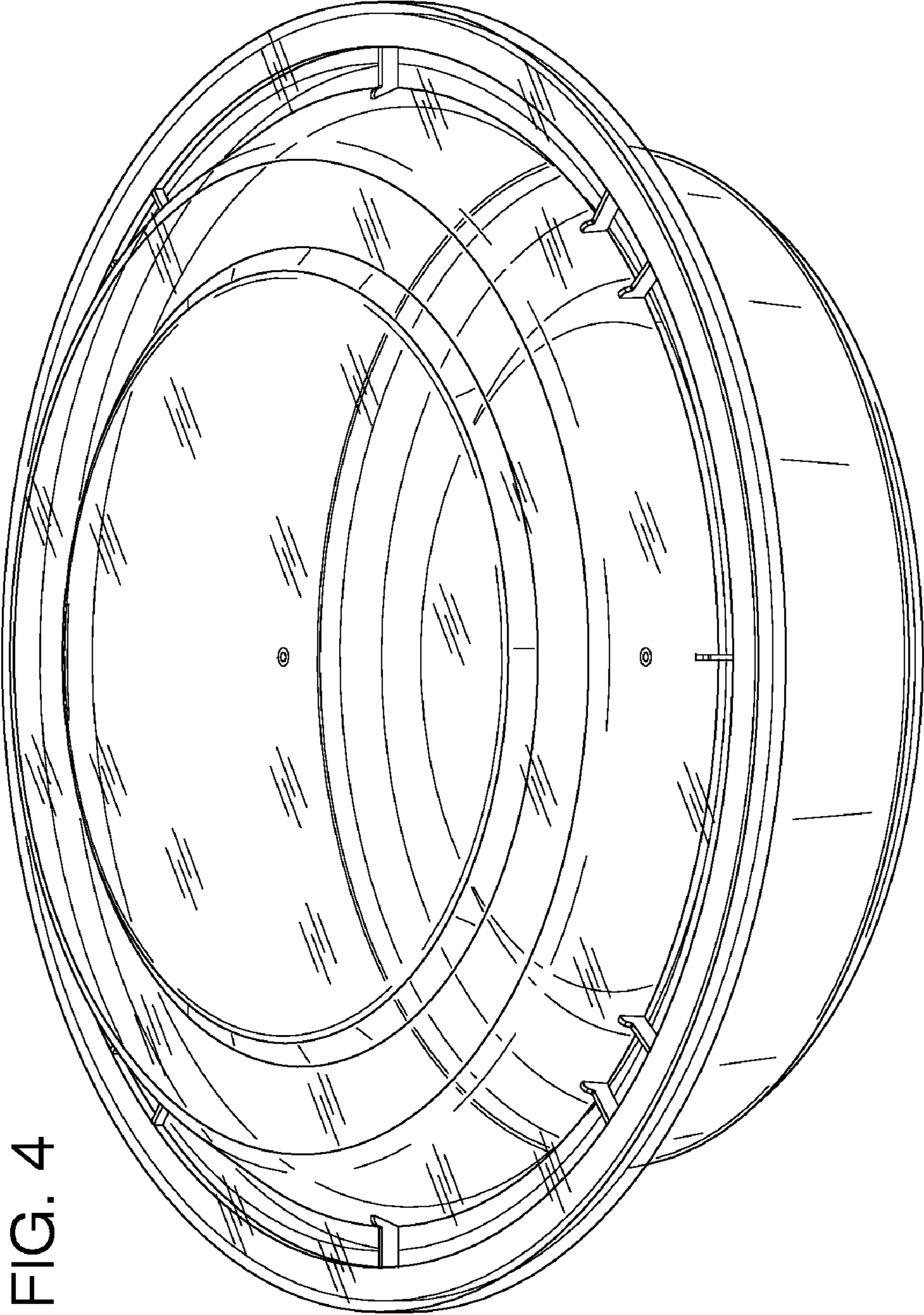


FIG. 4

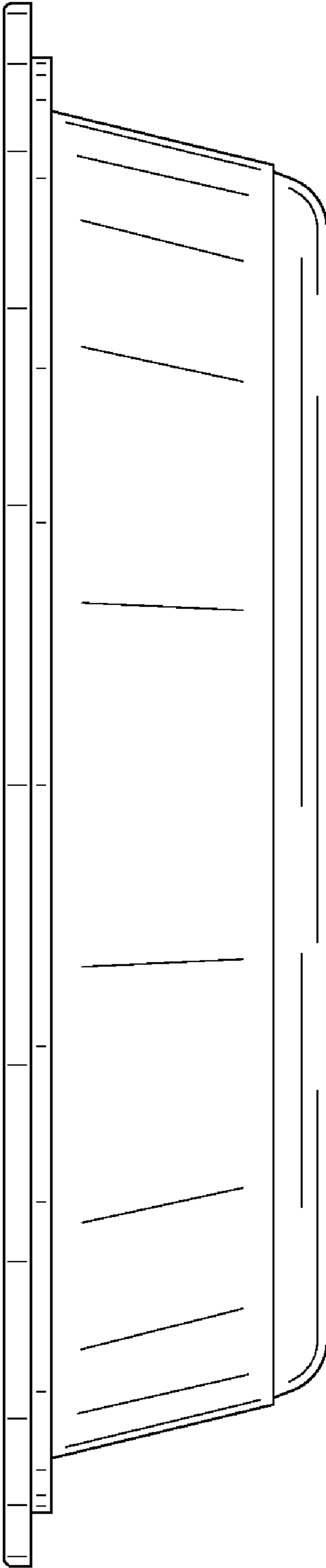


FIG. 5

FIG. 6

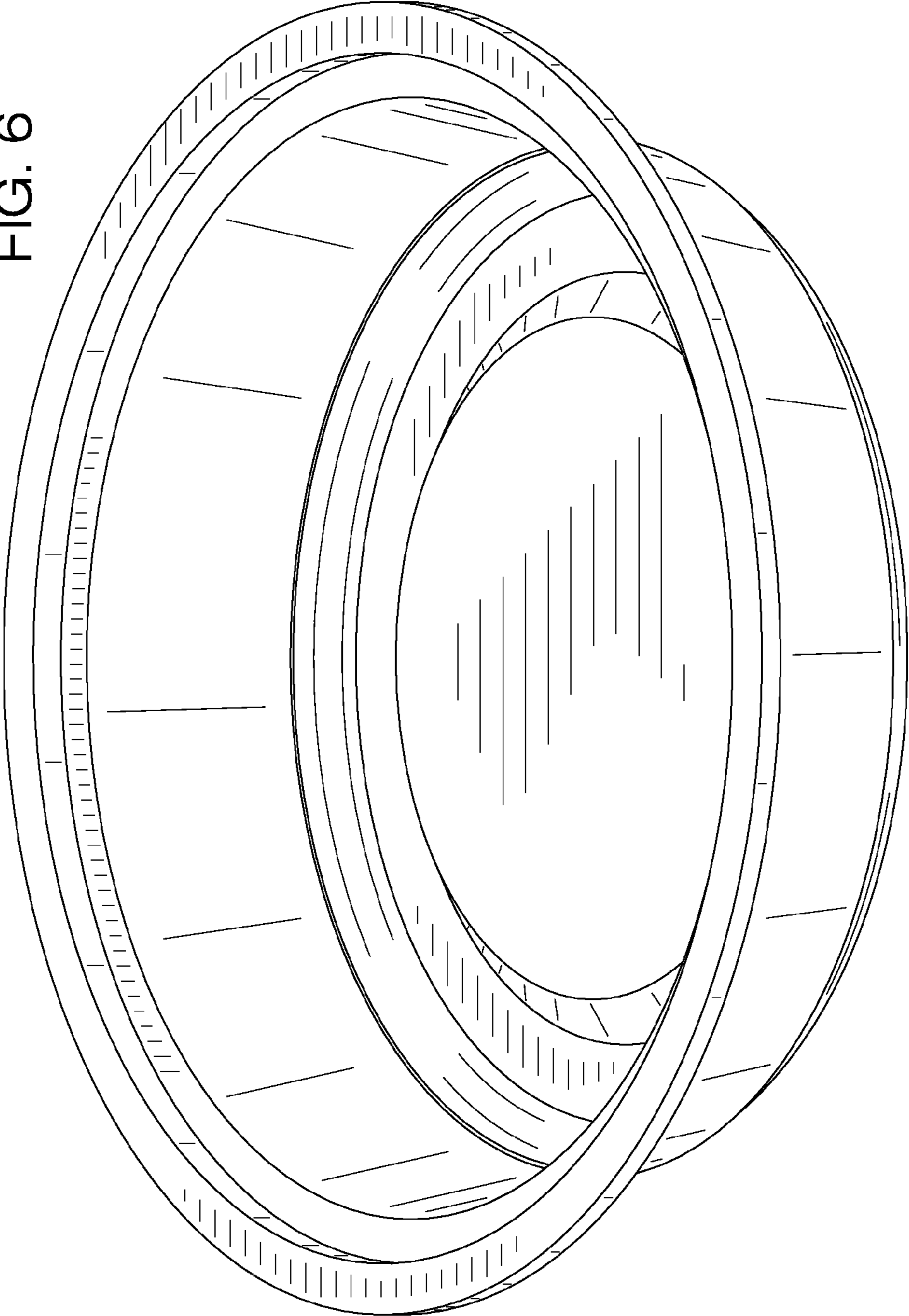
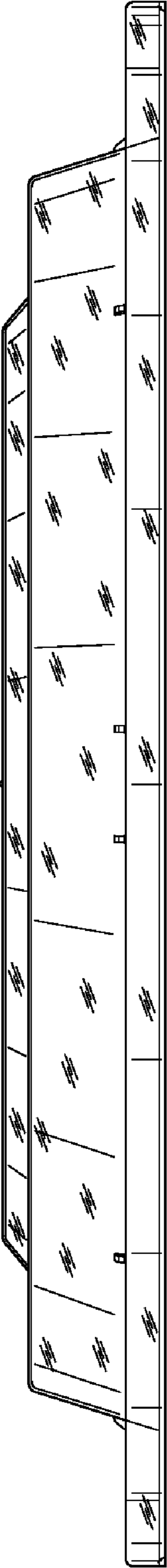


FIG. 7



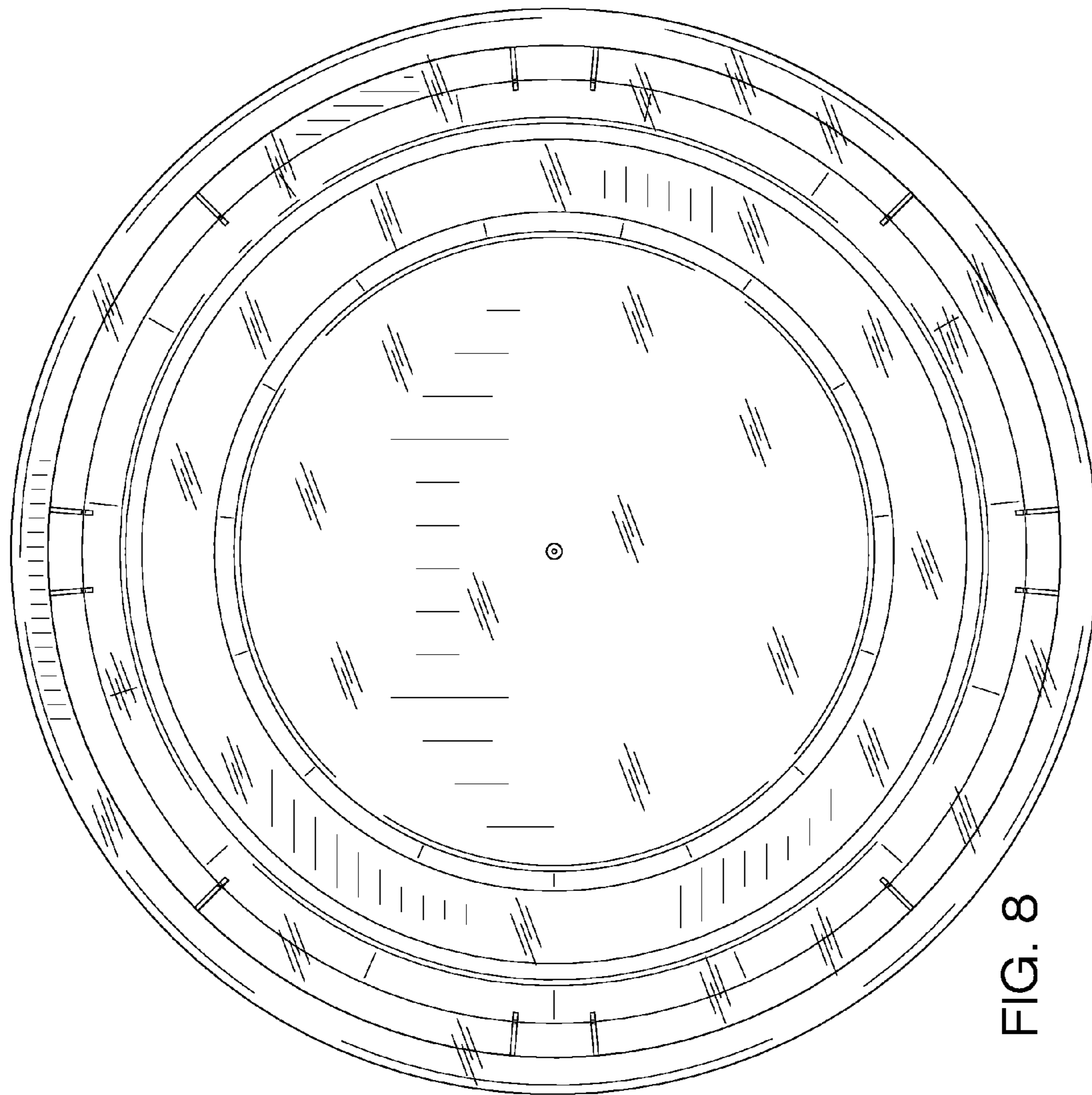


FIG. 8

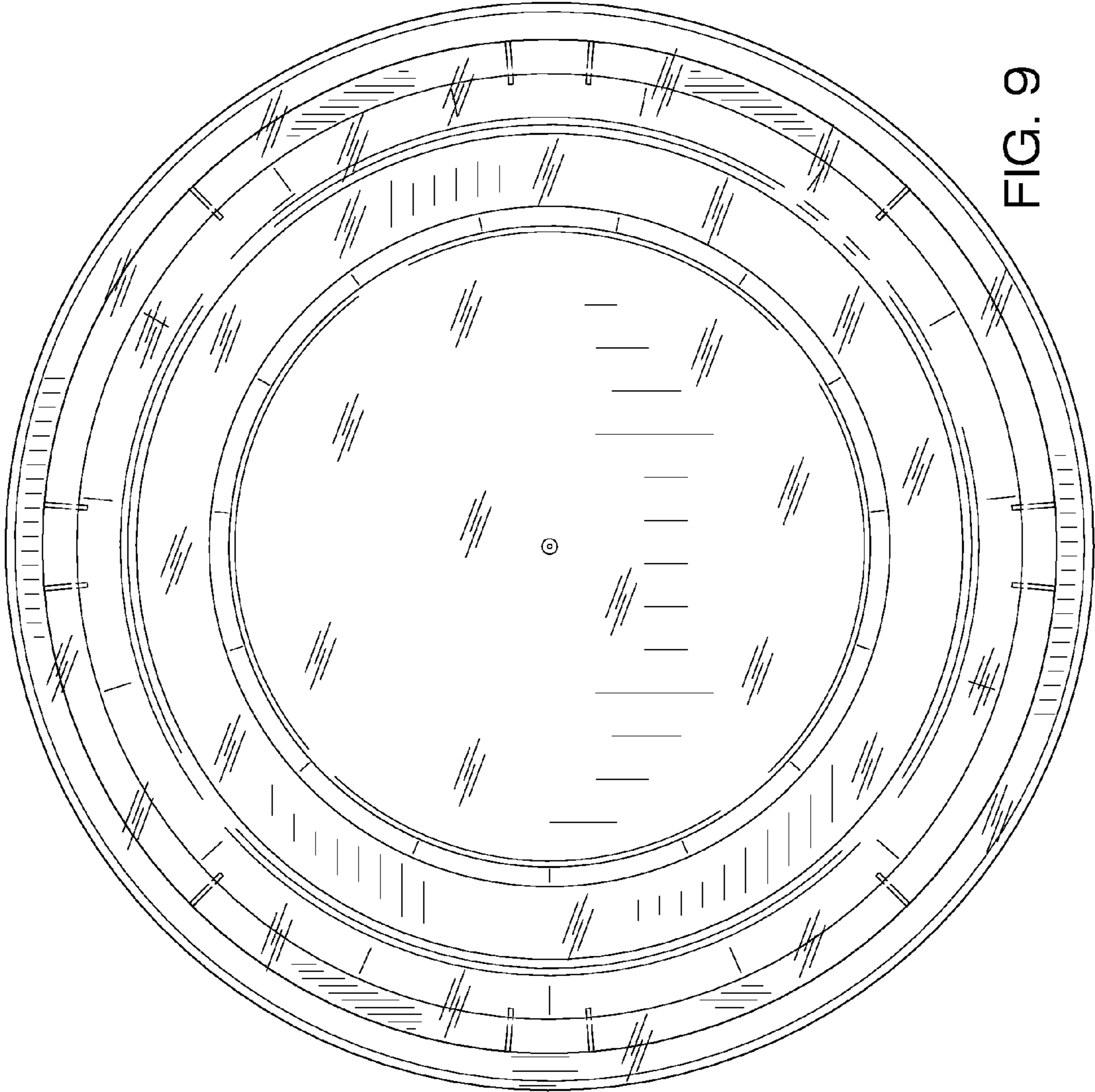


FIG. 9