



US00D634617S

(12) **United States Design Patent**
Sellari et al.

(10) **Patent No.:** **US D634,617 S**
(45) **Date of Patent:** **** Mar. 22, 2011**

(54) **CONTAINER WITH A DOMED LID**

(75) Inventors: **Robert Sellari**, Huntington, CT (US);
Bruce Stein, Easton, CT (US); **Herb Knutson**, Waterbury, CT (US)

(73) Assignee: **Inline Plastics Corporation**, Shelton, CT (US)

(**) Term: **14 Years**

(21) Appl. No.: **29/368,437**

(22) Filed: **Aug. 24, 2010**

(51) **LOC (9) Cl.** **09-03**

(52) **U.S. Cl.** **D9/424**

(58) **Field of Classification Search** D9/424,
D9/414, 418-423, 425, 428-432, 435, 436,
D9/455, 499, 503; D3/202, 273, 328; D7/538,
D7/601, 602, 604, 610, 612, 629; 206/486,
206/488, 490, 503, 504, 557, 562, 565, 521.1,
206/775, 776, 815, 822; 220/4.21, 4.23,
220/266, 269, 270, 309.1, 309.2, 676, 781,
220/786, 789, 790, 793; 229/400, 406, 407,
229/906, 915, 925

See application file for complete search history.

(56) **References Cited**

U.S. PATENT DOCUMENTS

2,915,214 A * 12/1959 Frankel 220/266
3,070,275 A * 12/1962 Bostrom 229/4.5
3,773,207 A * 11/1973 Dokoupil et al. 220/270
D256,650 S * 9/1980 Juster D7/629
D266,486 S * 10/1982 Lutz D9/503

D306,974 S * 4/1990 Tholstrup D9/424
D312,400 S * 11/1990 Schwaikert D9/424
D375,683 S * 11/1996 Schoff D9/429
D452,821 S * 1/2002 Westphal D9/429
D523,333 S * 6/2006 Moretti D9/444
7,073,680 B2 * 7/2006 Boback et al. 220/266
7,118,003 B2 * 10/2006 Sellari et al. 220/266
D569,684 S * 5/2008 Eide et al. D7/396.1

* cited by examiner

Primary Examiner — Stella M Reid

Assistant Examiner — Derrick Holland

(74) *Attorney, Agent, or Firm* — Edwards Angell Palmer & Dodge LLP

(57) **CLAIM**

The ornamental design for a container with a domed lid, as shown and described.

DESCRIPTION

This application is being filed concurrently with a design patent application for a container with a flat lid Ser. No. 29/368,425, also invented by the inventors named above.

FIG. 1 is a rear perspective view of a container with a domed lid showing our new design;

FIG. 2 is a rear elevation view thereof;

FIG. 3 is a left side elevation view thereof;

FIG. 4 is a front elevation view thereof;

FIG. 5 is a right side elevation view thereof;

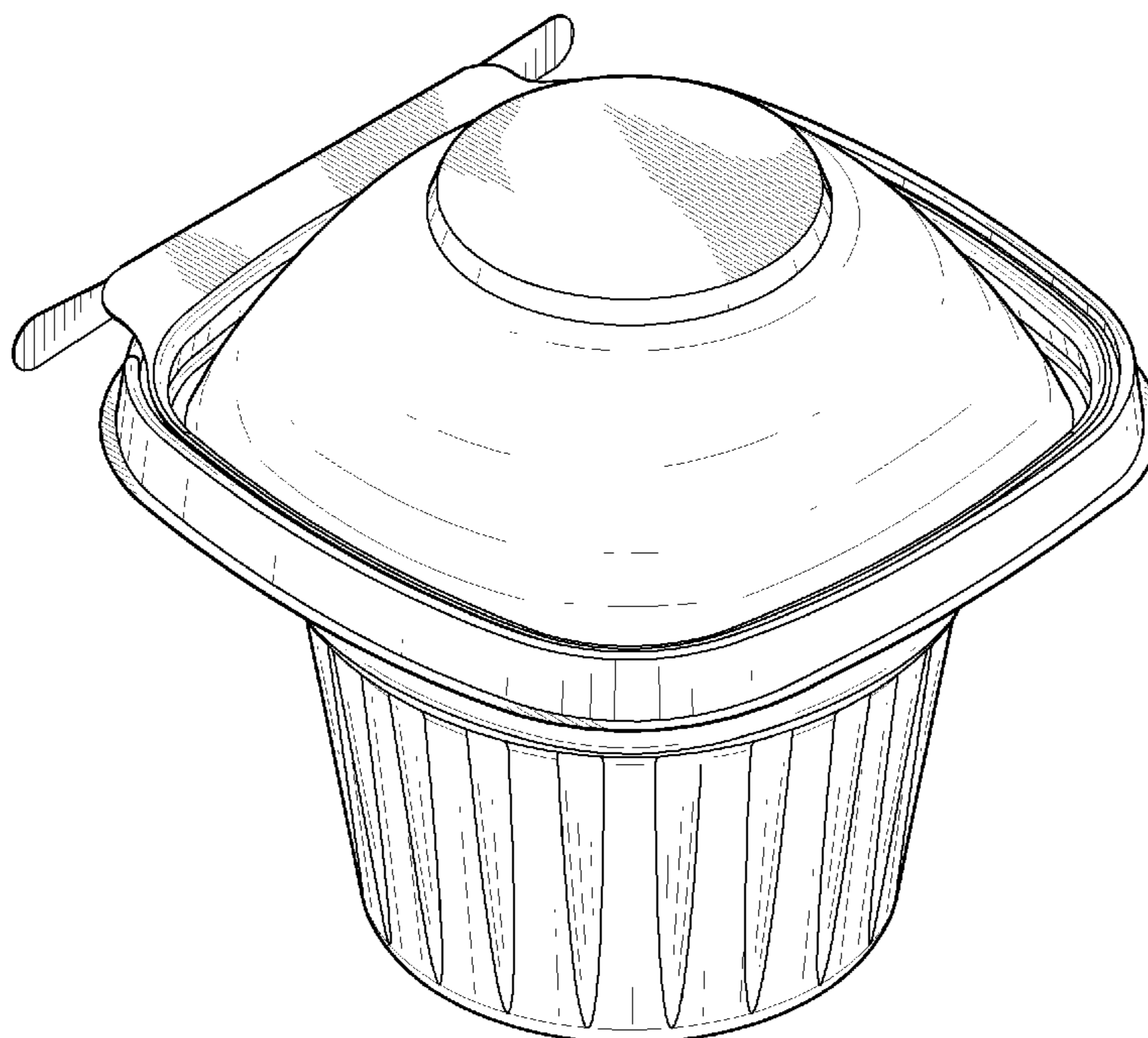
FIG. 6 is a top plan view thereof;

FIG. 7 is a bottom plan view thereof;

FIG. 8 is a front perspective view thereof; and,

FIG. 9 is a bottom perspective view thereof.

1 Claim, 9 Drawing Sheets



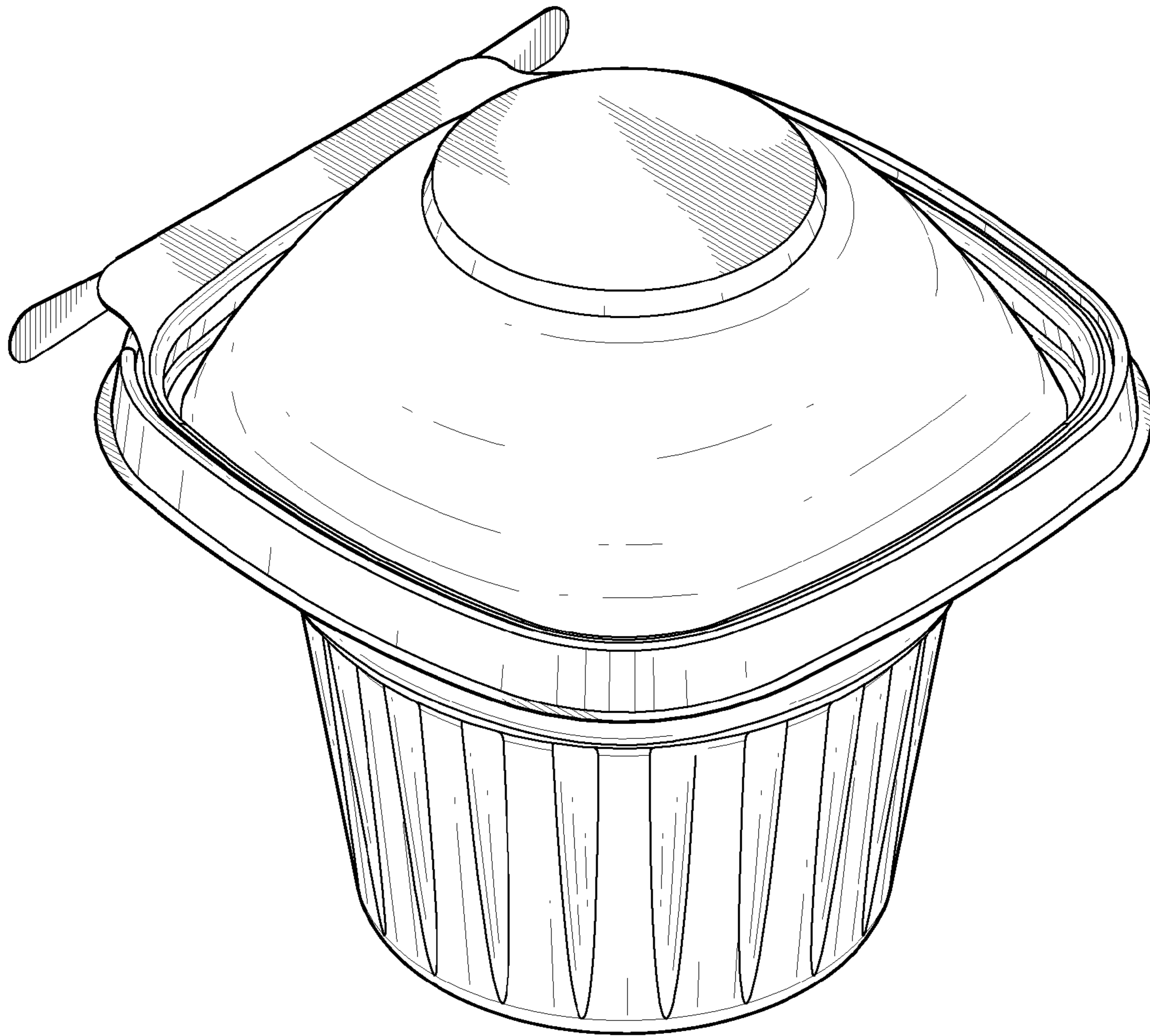


FIG.1

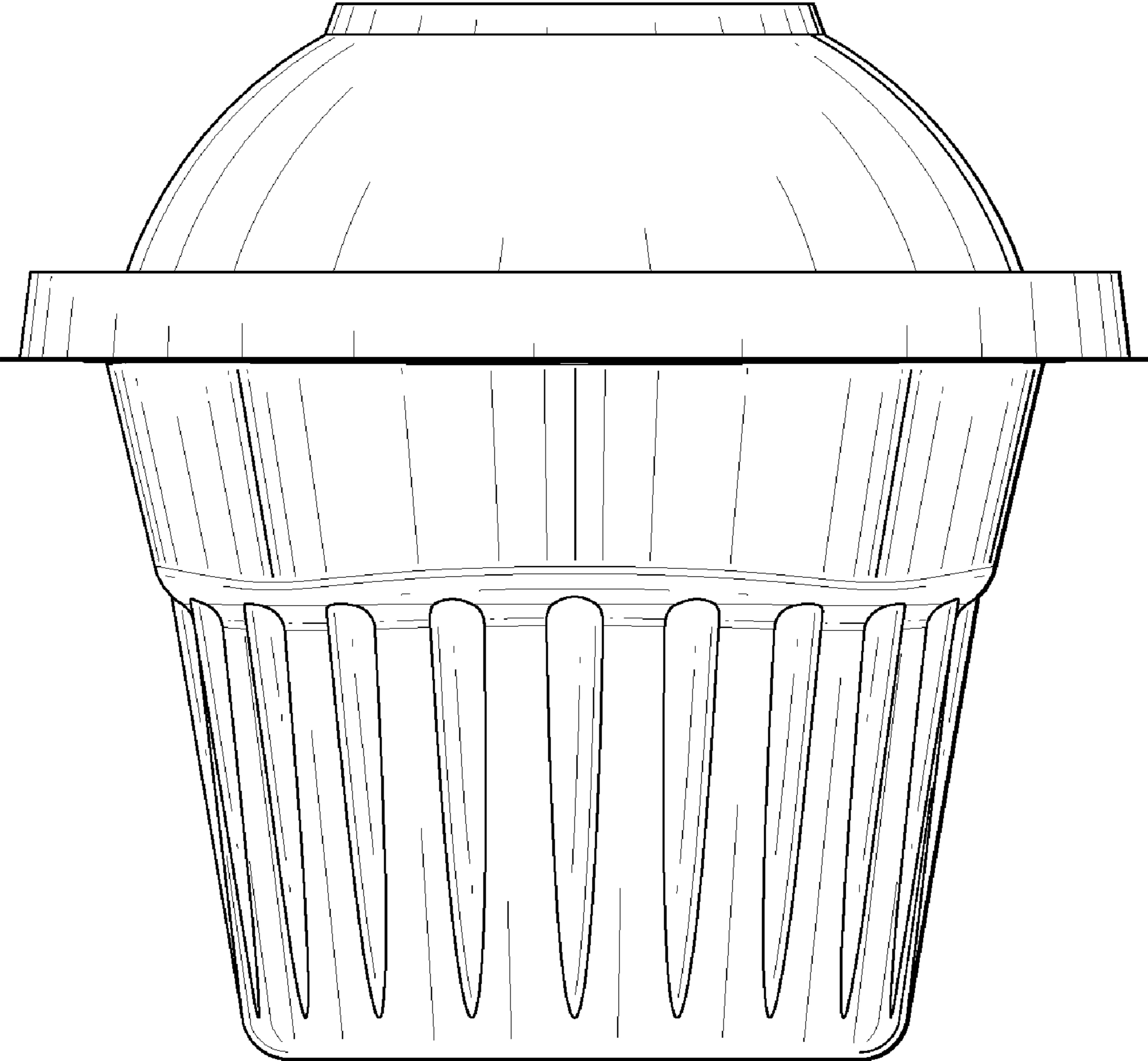


FIG.2

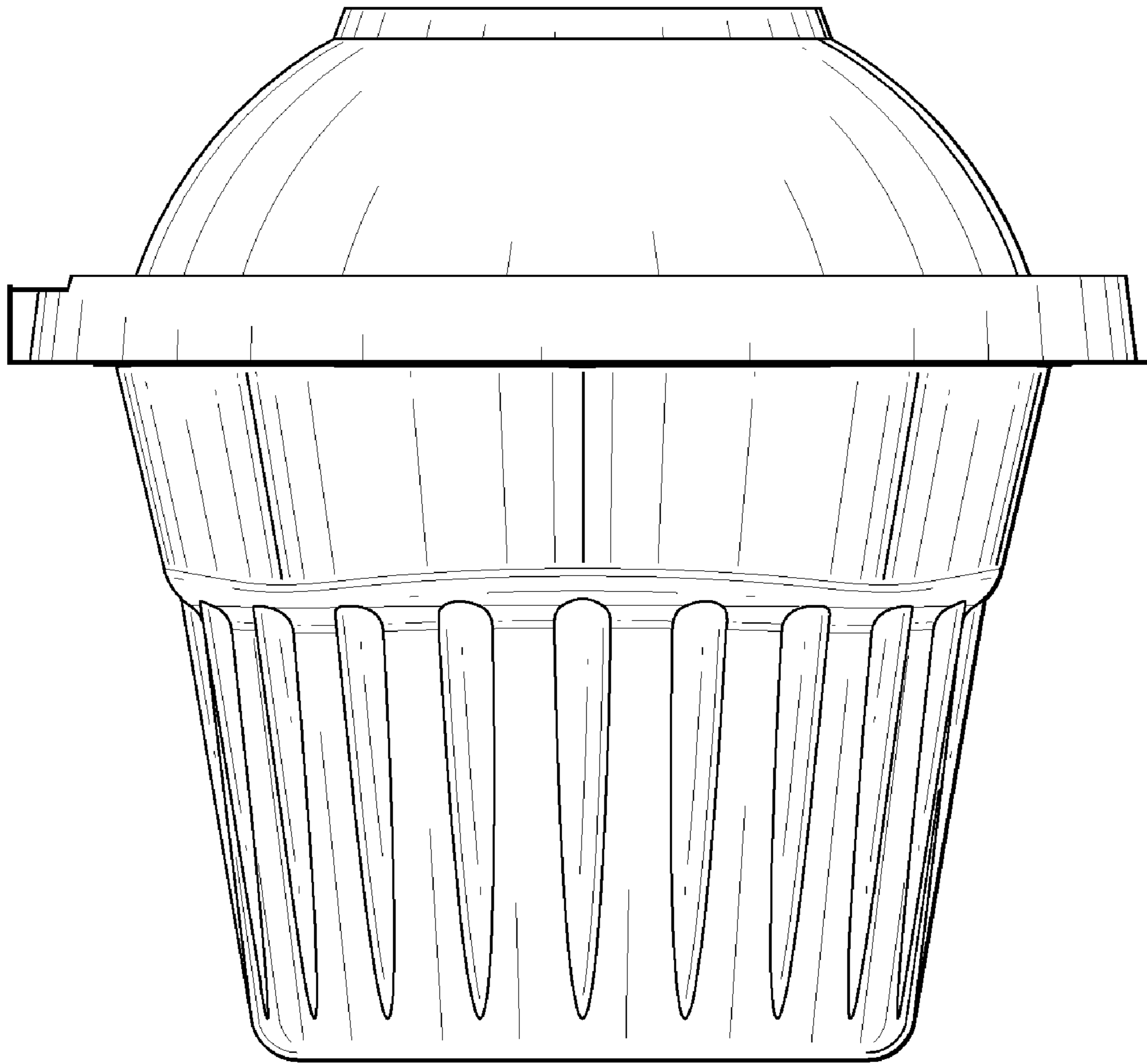


FIG. 3

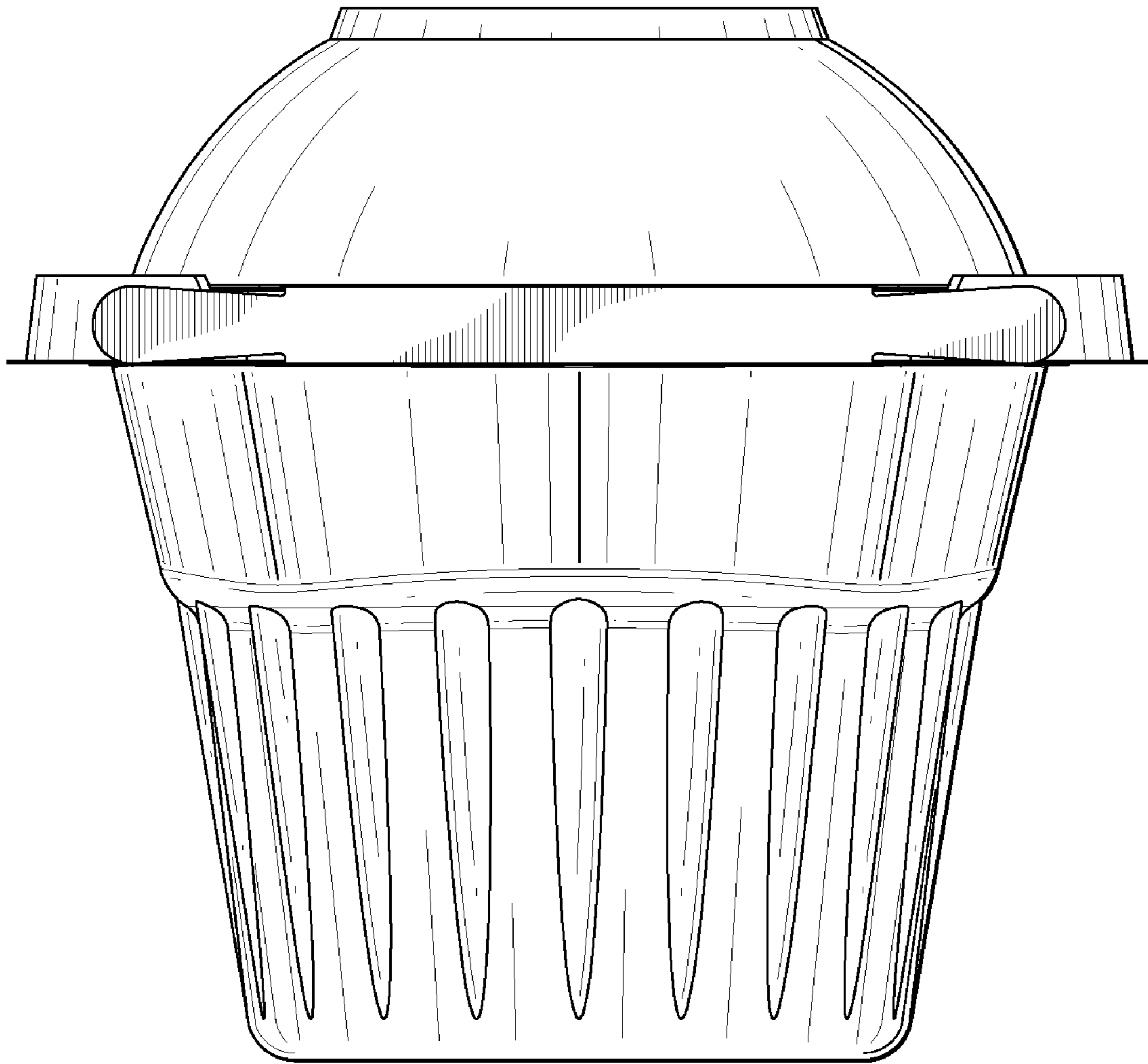


FIG. 4

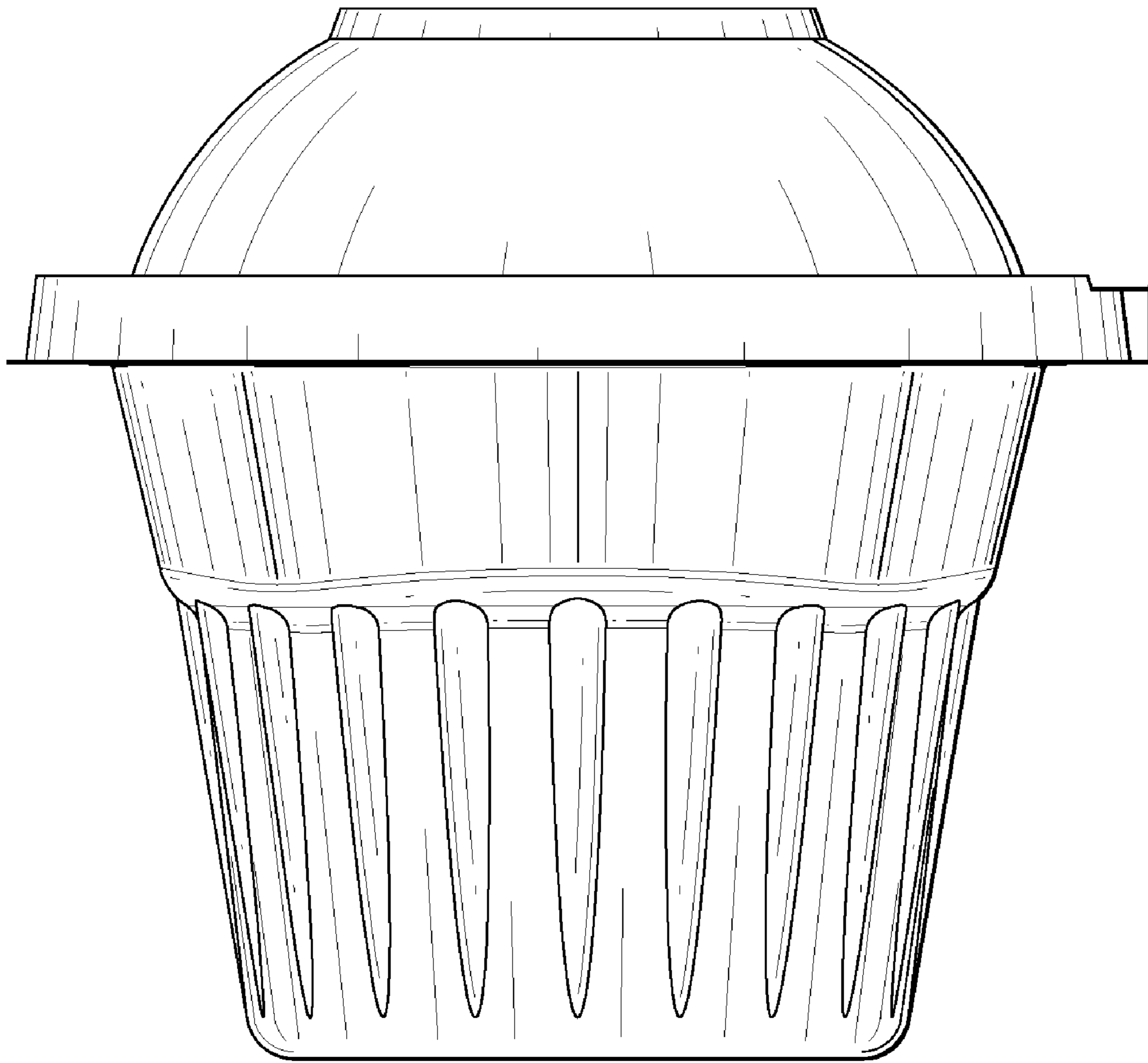


FIG.5

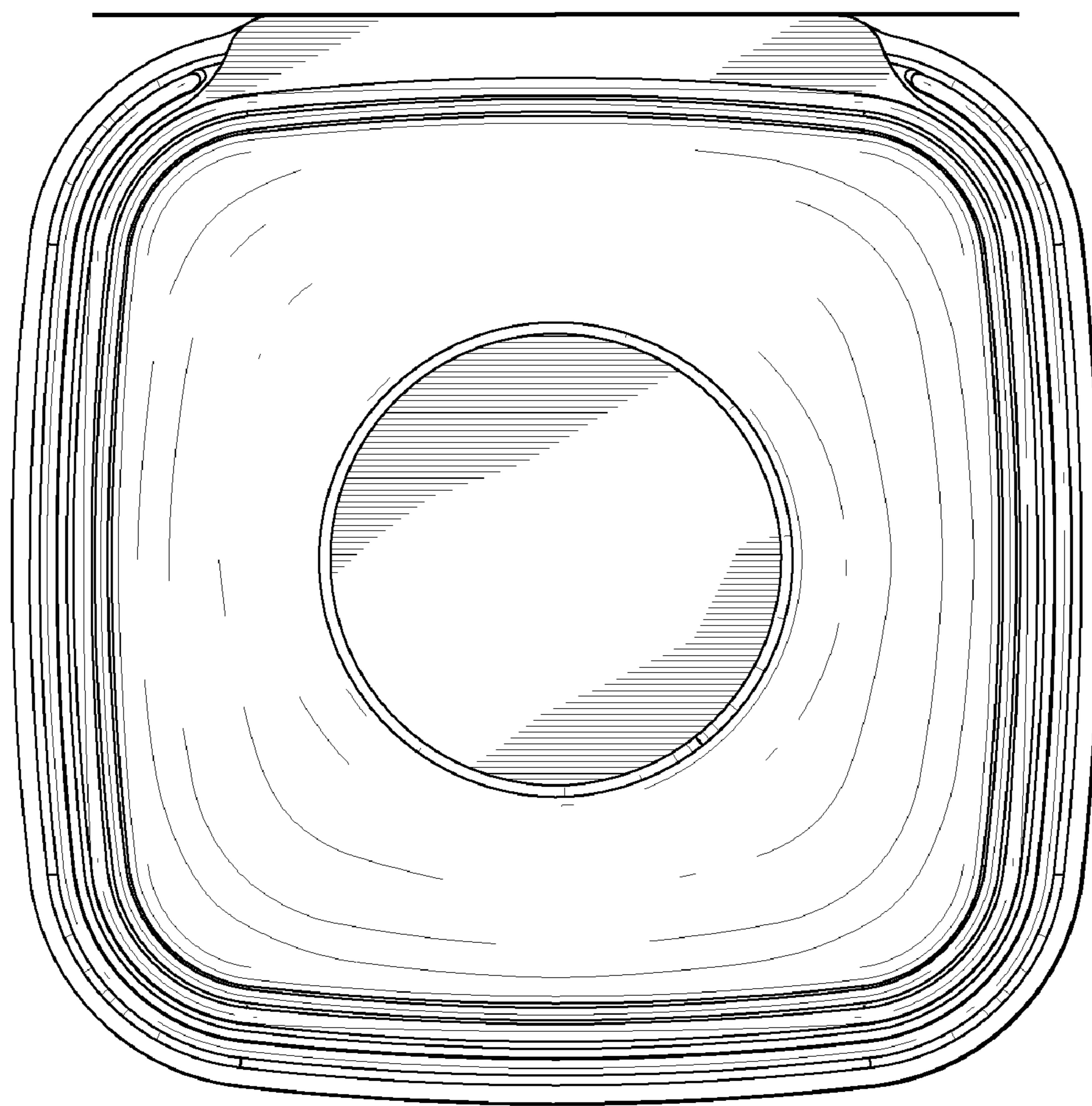


FIG.6

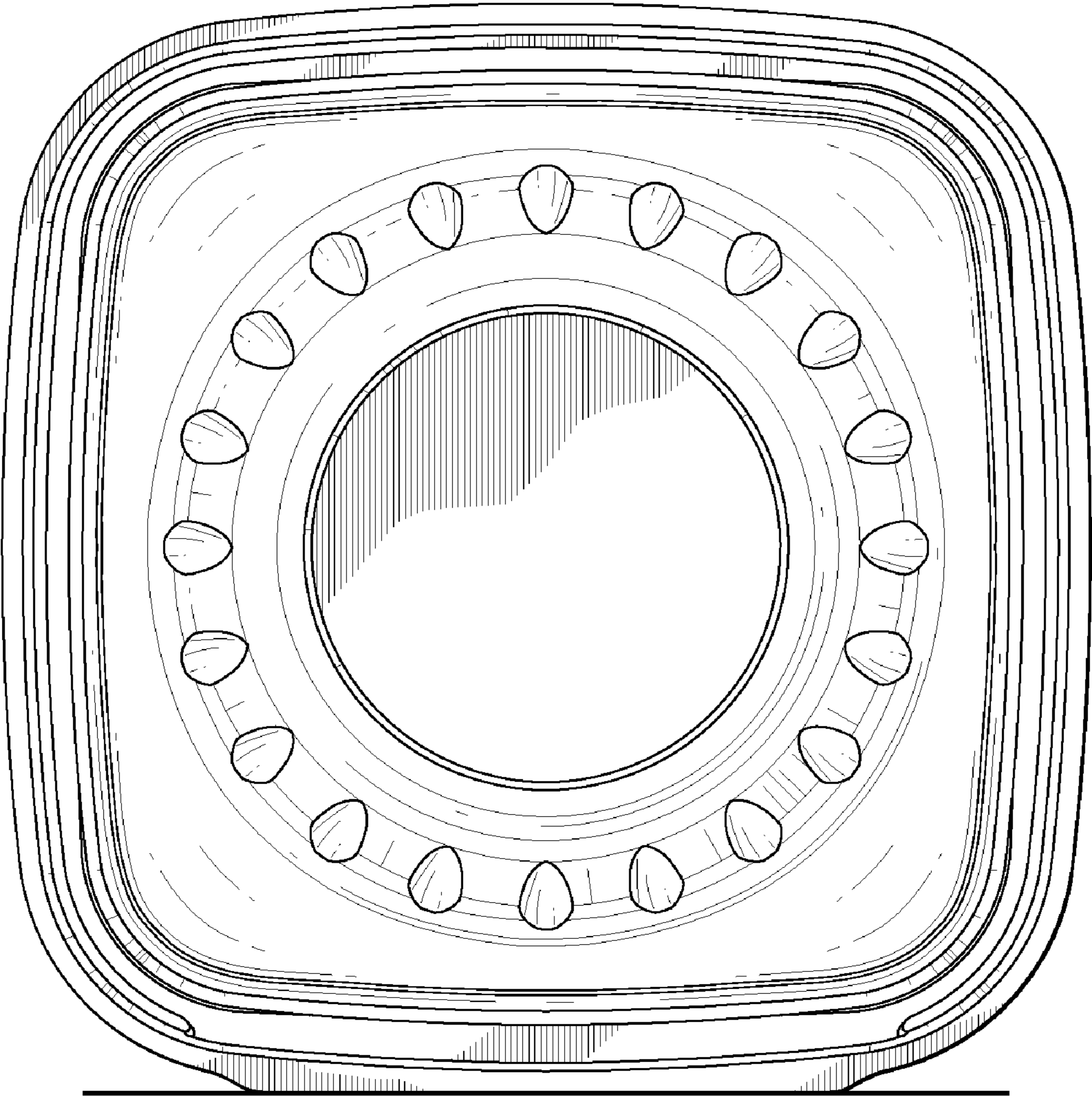


FIG.7

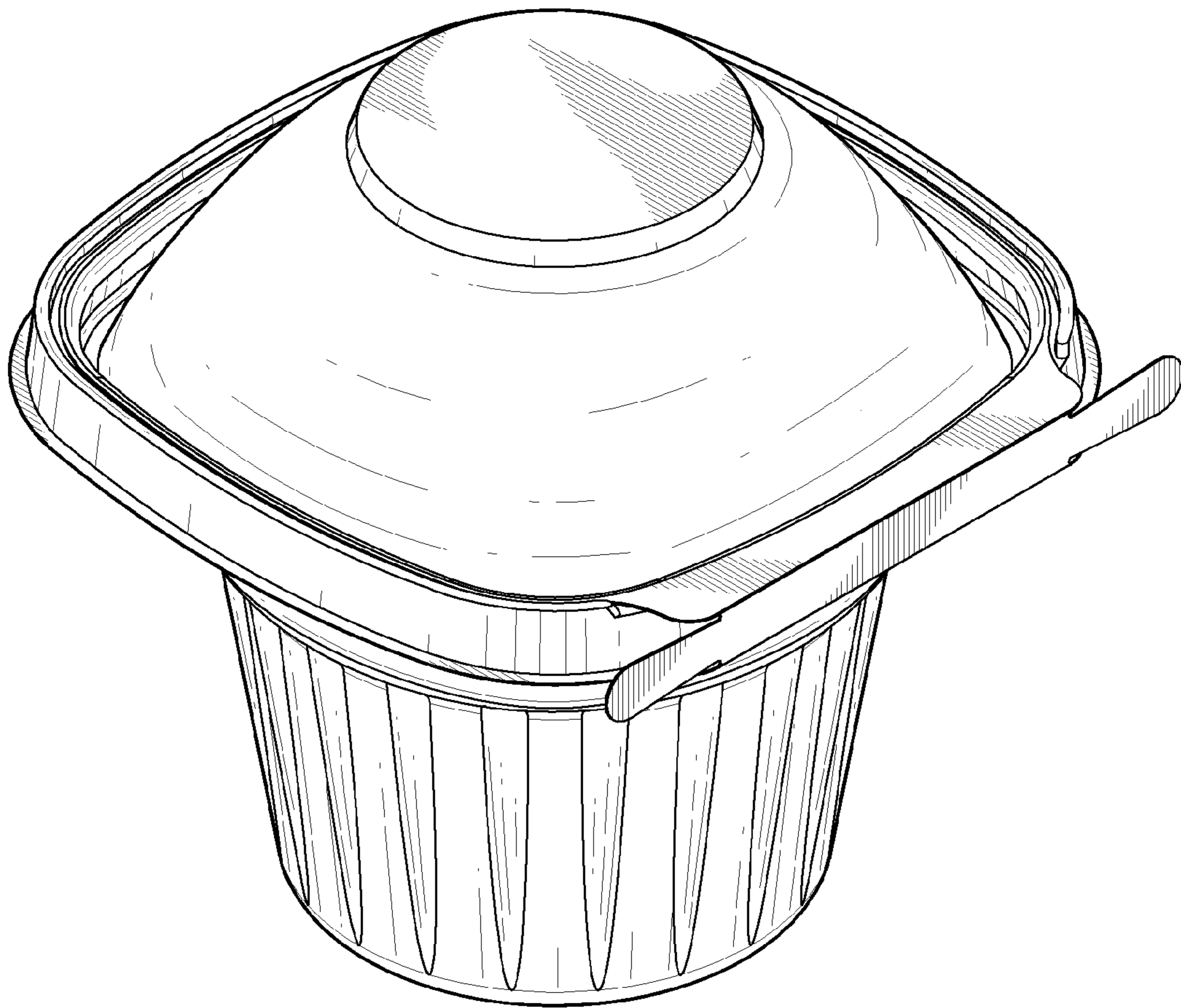


FIG.8

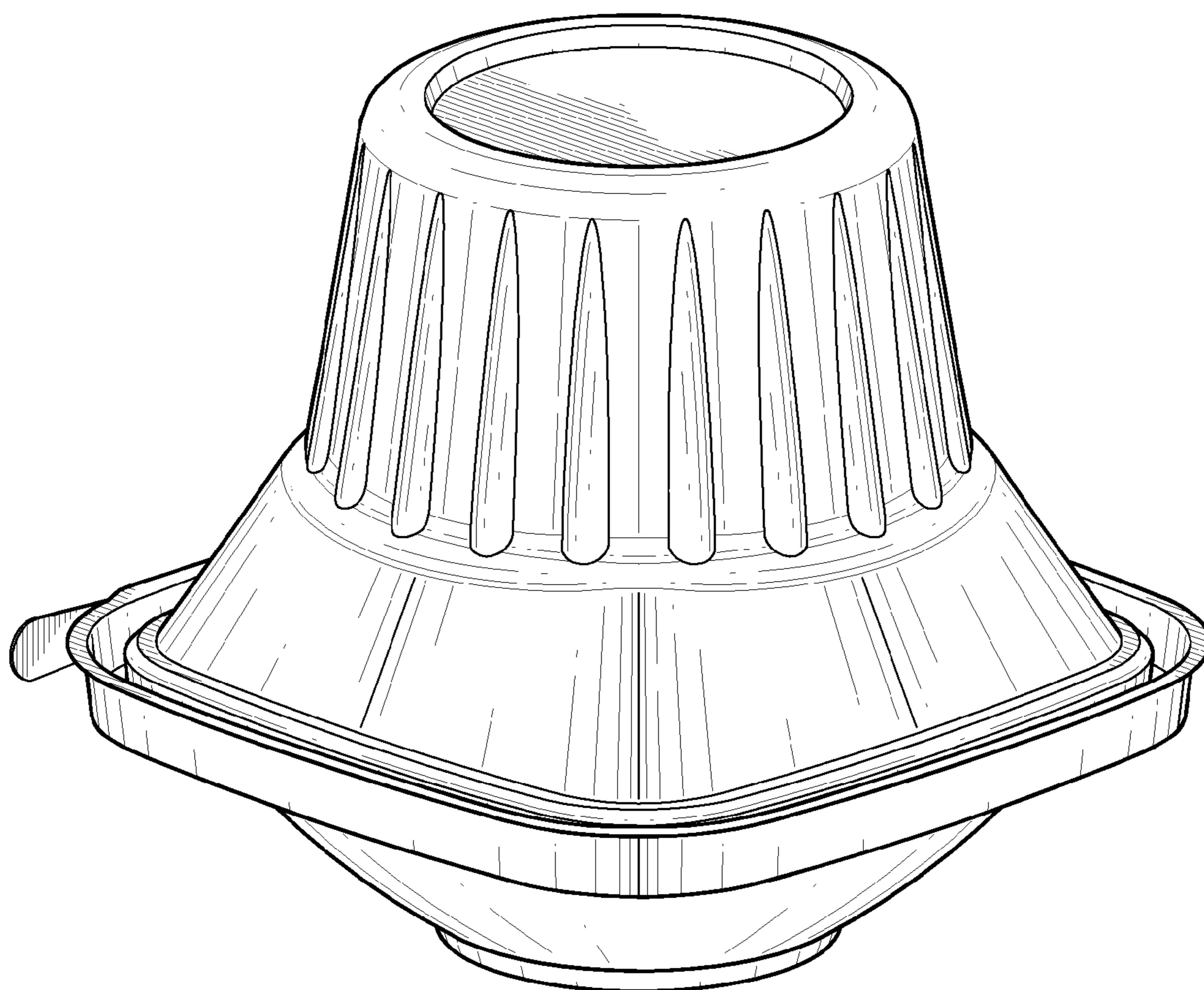


FIG. 9