



US00D634614S

(12) **United States Design Patent**
Massie et al.

(10) **Patent No.:** **US D634,614 S**
(45) **Date of Patent:** **** Mar. 22, 2011**

(54) **CONNECTOR**

(75) Inventors: **Stephan Massie**, Glasgow (GB);
Seonaid Nimmo, Glasgow (GB); **Toby Mottram**, Glasgow (GB)

(73) Assignee: **ITI Scotland Limited**, Glasgow (GB)

(**) Term: **14 Years**

(21) Appl. No.: **29/369,089**

(22) Filed: **Sep. 2, 2010**

Related U.S. Application Data

(62) Division of application No. 29/351,753, filed on Dec. 10, 2009.

(30) **Foreign Application Priority Data**

Jun. 12, 2009 (EM) 001146393

(51) **LOC (9) Cl.** **08-08**

(52) **U.S. Cl.** **D8/382**

(58) **Field of Classification Search** D8/382,
D8/349, 356, 363, 373, 380; D25/133, 136,
D25/199; 248/250, 235, 200, 300; D12/223

See application file for complete search history.

(56) **References Cited**

U.S. PATENT DOCUMENTS

D254,534 S * 3/1980 Glynn et al. D8/356
D452,744 S * 1/2002 Brown D25/199

* cited by examiner

Primary Examiner — Holly H Baynham

Assistant Examiner — Sheryl Lane

(74) *Attorney, Agent, or Firm* — Vinson & Elkins L.L.P.

(57) **CLAIM**

We claim the ornamental design for a connector, as shown and described.

DESCRIPTION

FIG. 1 is a perspective view of a connector of the inventive design;

FIG. 2 is an end view thereof;

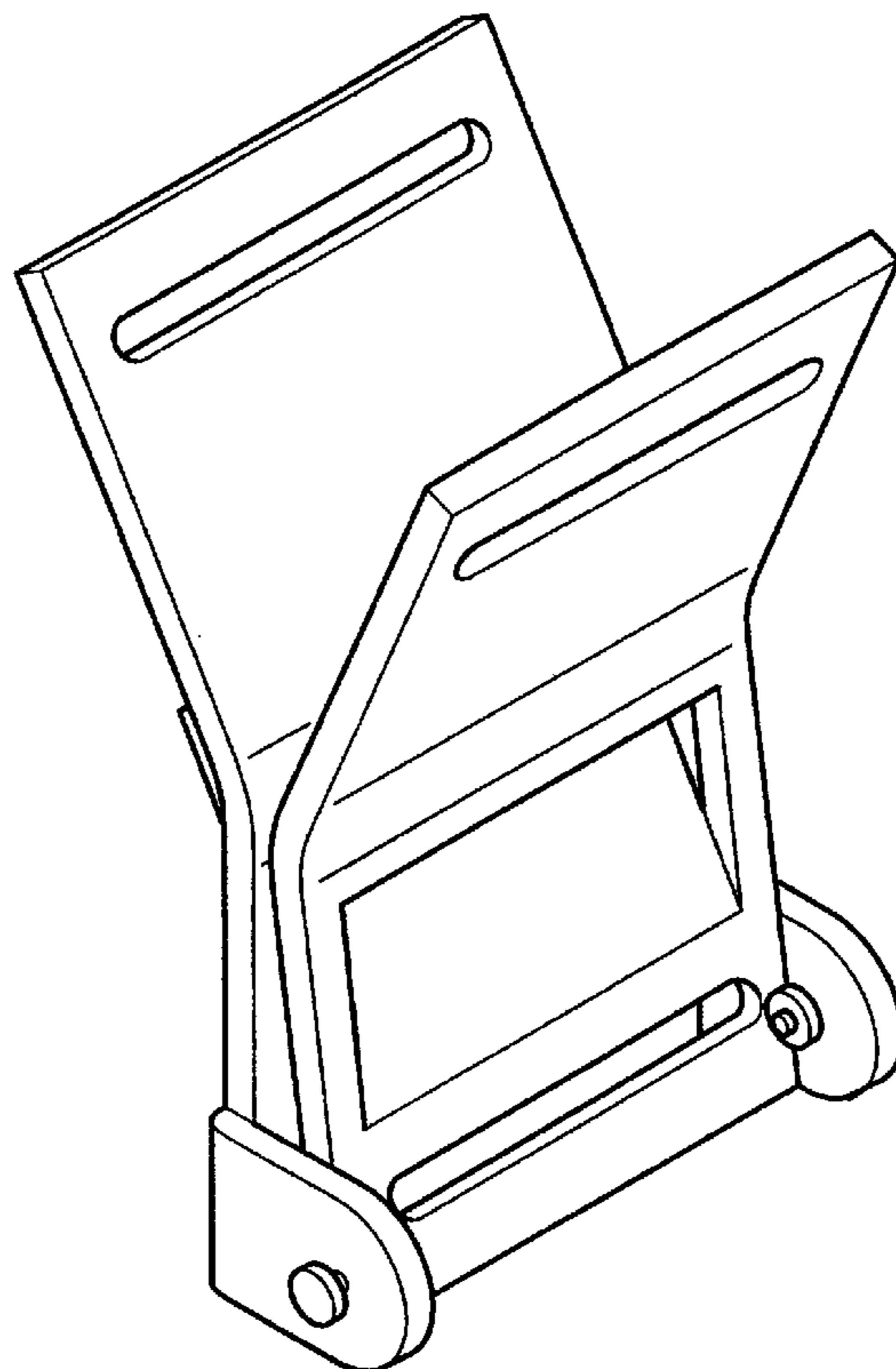
FIG. 3 is a top view thereof;

FIG. 4 is a bottom view thereof;

FIG. 5 is a left side view thereof; and,

FIG. 6 is a right side view thereof.

1 Claim, 6 Drawing Sheets



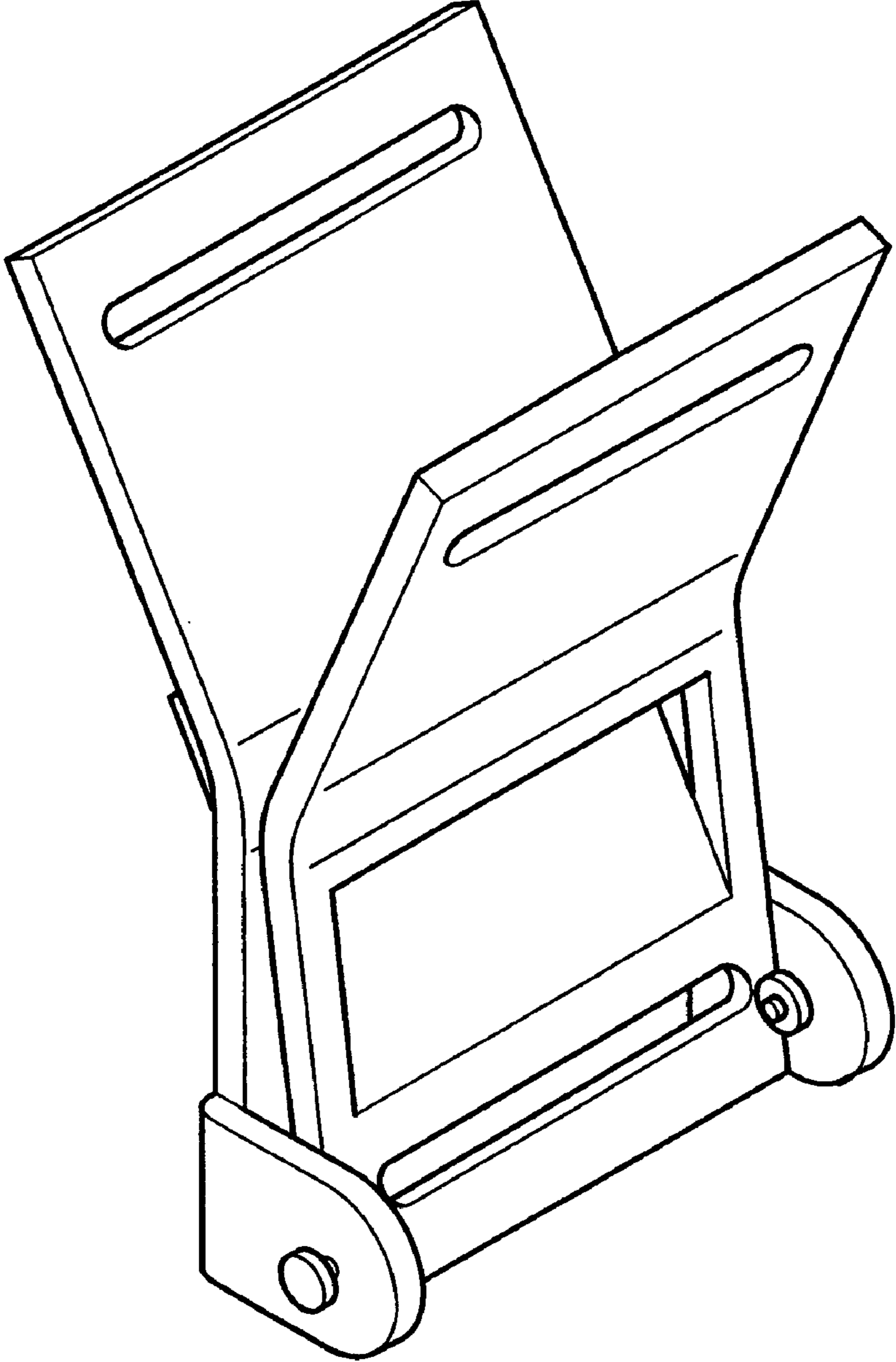


FIG. 1

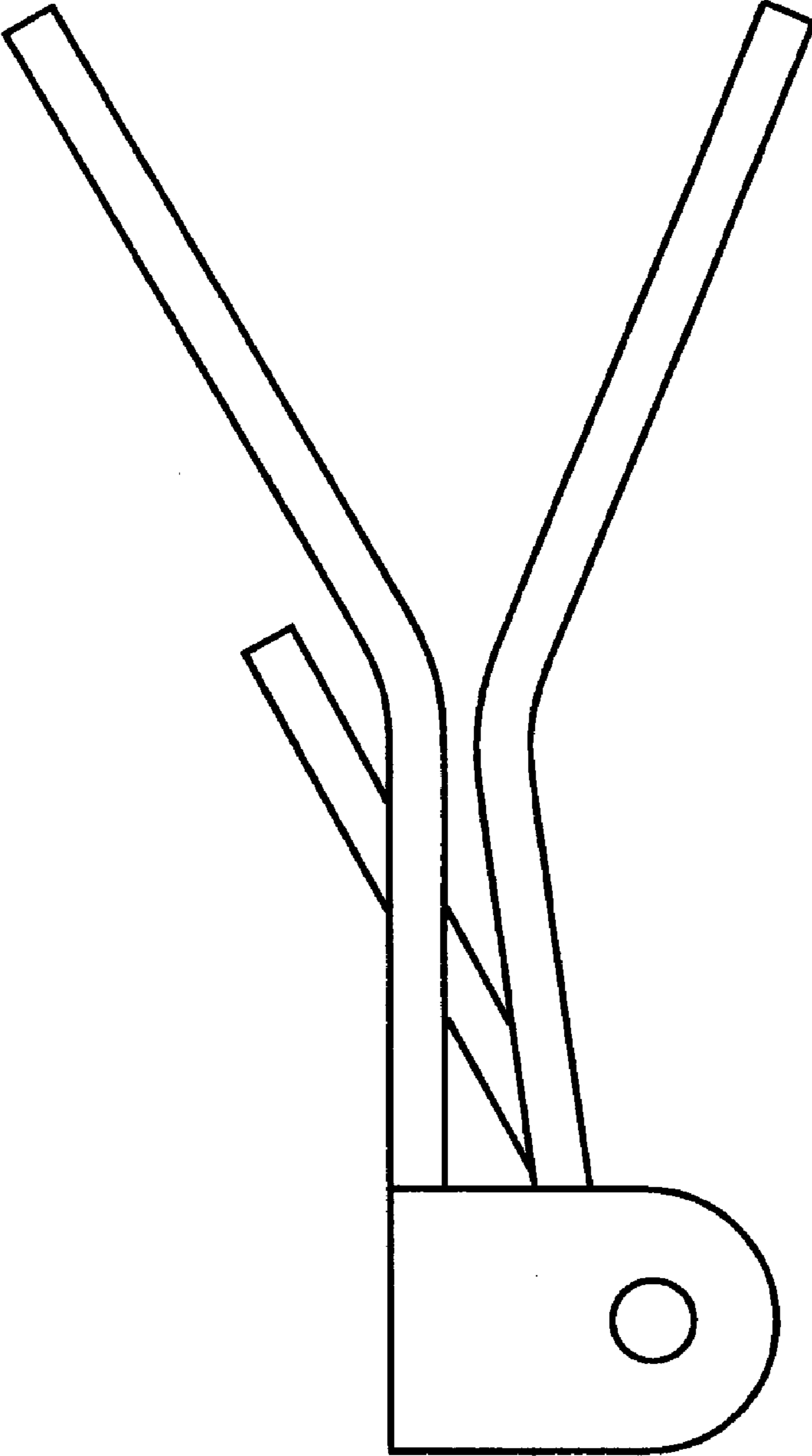


FIG. 2

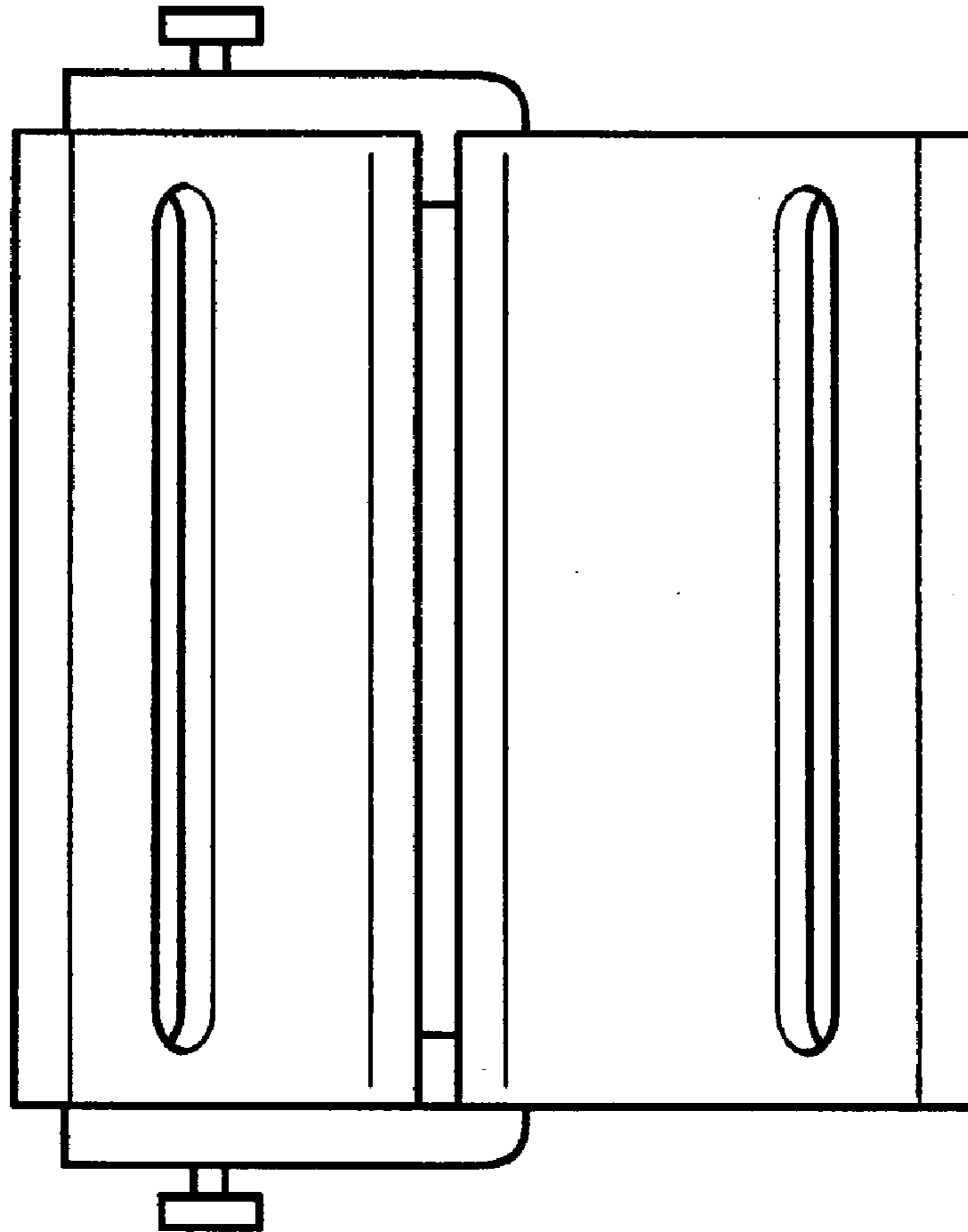


FIG. 3

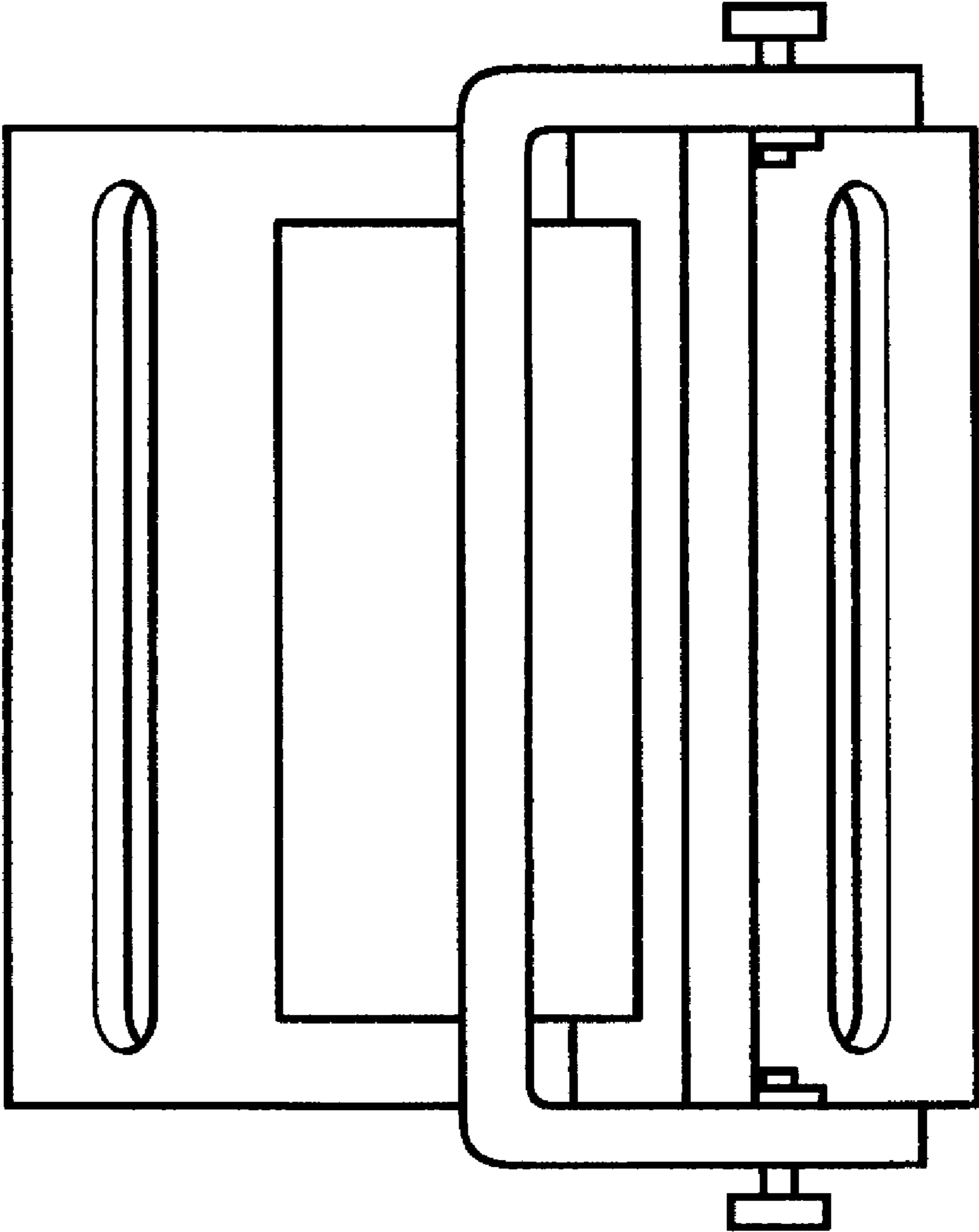


FIG. 4

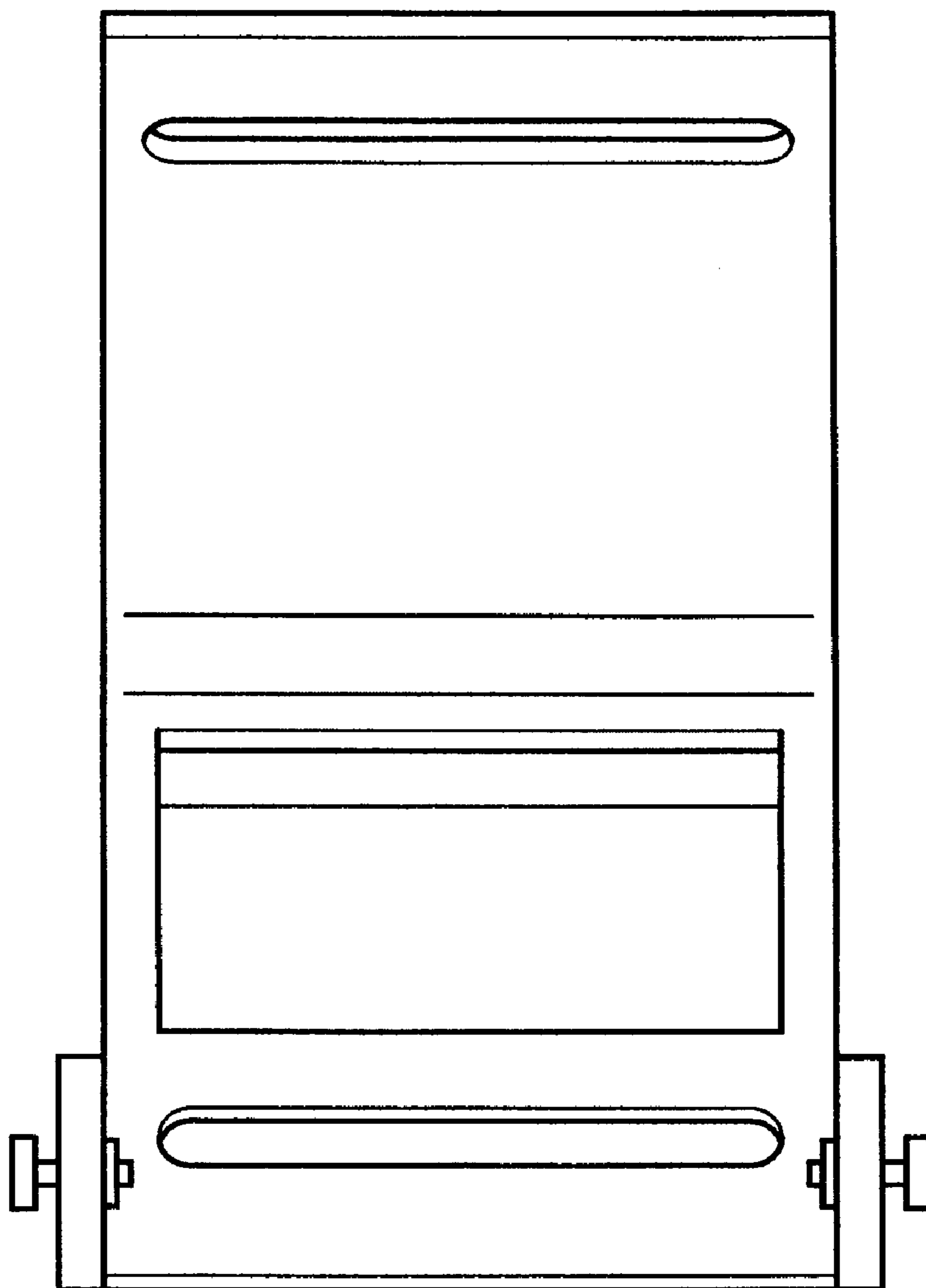


FIG. 5

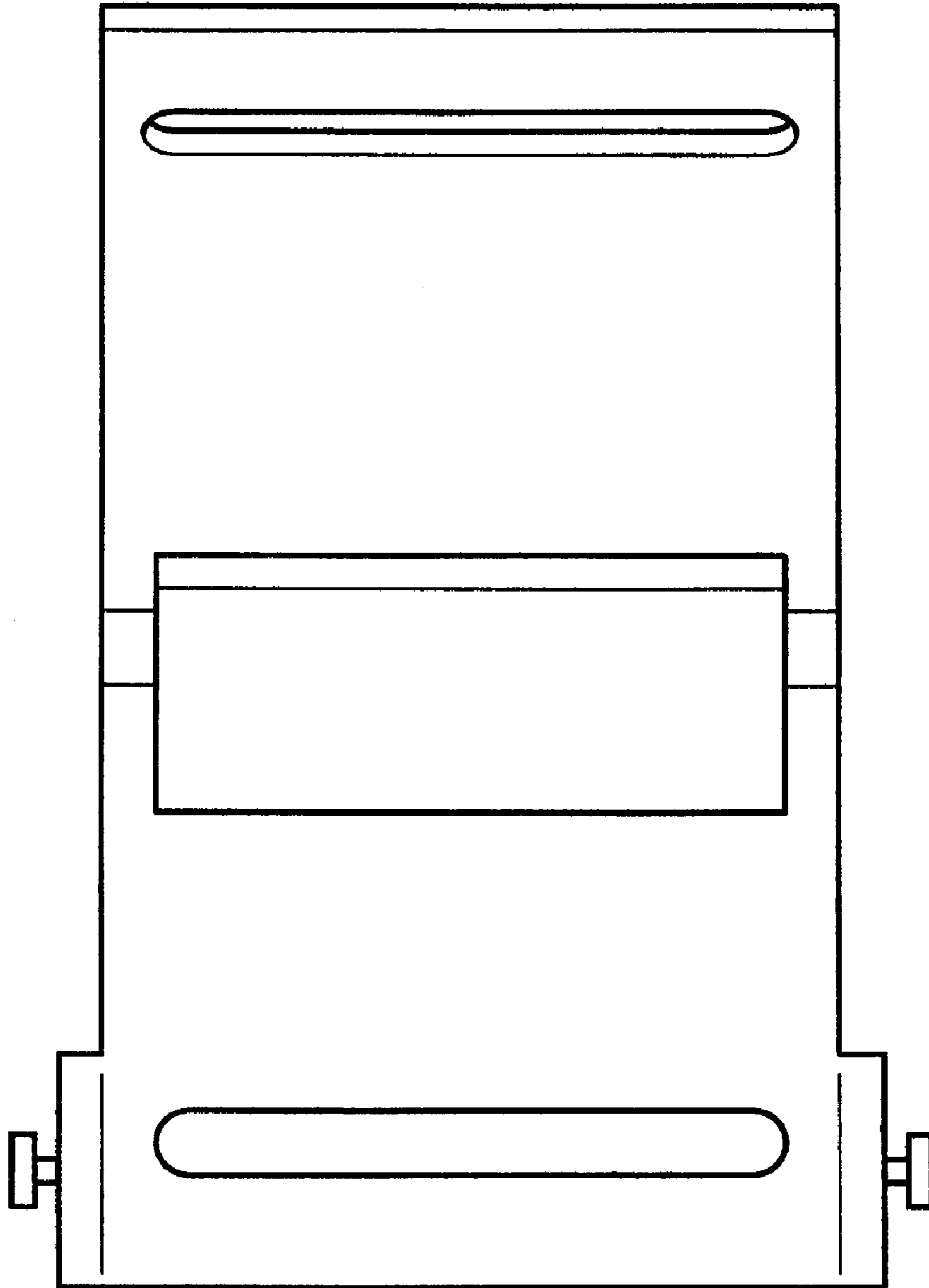


FIG. 6