



US00D634612S

(12) **United States Design Patent**  
**Ghatikar et al.**

(10) **Patent No.:** **US D634,612 S**

(45) **Date of Patent:** **\*\* \*Mar. 22, 2011**

(54) **TWO-PIECE CAP ASSEMBLY FOR  
MODULAR PANEL MOUNTING SYSTEMS**

FOREIGN PATENT DOCUMENTS

WO 2009/154805 12/2009

(75) Inventors: **Venugopal R. Ghatikar**, Salt Lake City, UT (US); **William Gatti**, Sandy, UT (US); **Michael Damen**, Rochetoirin (FR); **Guillaume Martin**, Rochetoirin (FR)

OTHER PUBLICATIONS

USPTO, Office Action mailed May 7, 2010 in U.S. Appl. No. 29/339,988, 7 pgs.

(Continued)

(73) Assignee: **3form, Inc.**, Salt Lake City, UT (US)

*Primary Examiner* — Holly H Baynham

(\*\*) Term: **14 Years**

*Assistant Examiner* — Sheryl Lane

(21) Appl. No.: **29/364,970**

(74) *Attorney, Agent, or Firm* — Workman Nydegger

(22) Filed: **Jun. 30, 2010**

**Related U.S. Application Data**

(63) Continuation of application No. PCT/US2009/030992, filed on Jan. 14, 2009, and a continuation-in-part of application No. 12/028,584, filed on Feb. 8, 2008.

(57) **CLAIM**

The ornamental design for a two-piece cap assembly for modular panel mounting systems design, as shown and described.

(51) **LOC (9) Cl.** ..... **08-08**

(52) **U.S. Cl.** ..... **D8/382**

(58) **Field of Classification Search** ..... D8/382, D8/387, 354, 349; 52/786.1, 204.7, 208, 52/786.13; 411/402, 403

See application file for complete search history.

**DESCRIPTION**

FIG. 1 is an exploded environmental perspective view of a two-piece cap assembly for modular panel mounting systems in an exemplary environment;

FIG. 2 is an environmental assembled right elevation view thereof in an exemplary environment;

FIG. 3 is an environmental top perspective assembled view thereof;

FIG. 4 is an environmental exploded perspective view thereof in an exemplary environment;

FIG. 5 is an environmental top perspective assembled view thereof in an exemplary environment;

FIG. 6 is a frontal elevation view thereof;

FIG. 7 is a rear elevation view thereof; and,

FIG. 8 is a right elevation view thereof.

The broken lines showing environment in the drawings are included for illustrative purposes only and form no part of the claimed design. The outer broken line boundaries in Figures depicting the boundaries of the claimed design indicate that a specific shape forms no part of the claimed design.

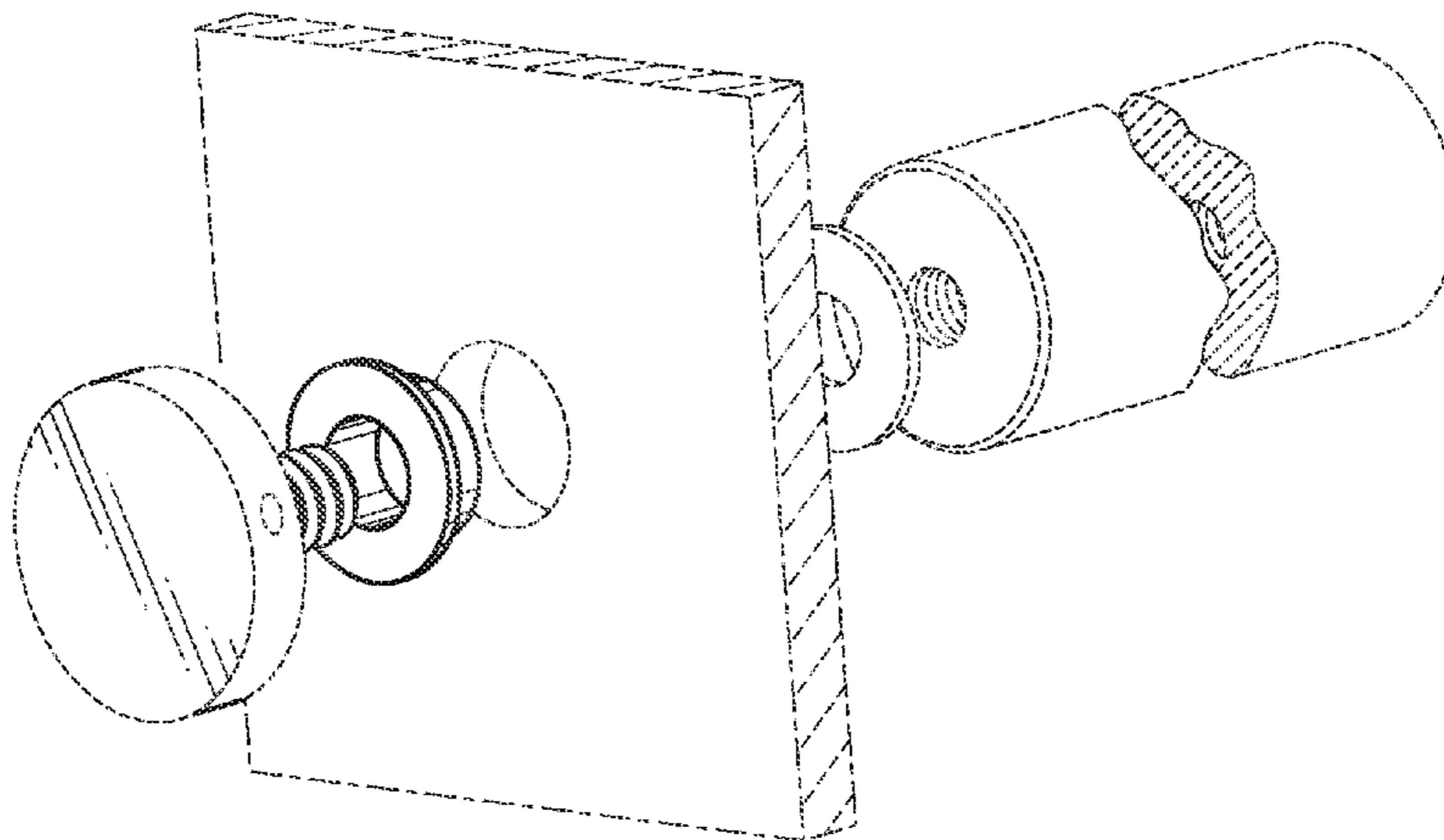
(56) **References Cited**

U.S. PATENT DOCUMENTS

1,382,505	A	6/1921	Hargey
D58,666	S	8/1921	Eustis
2,180,633	A	11/1939	Holt
2,903,227	A	9/1959	Key
3,221,678	A	12/1965	Doherty
3,762,116	A	10/1973	Anderson
3,771,466	A	11/1973	Ferdinand et al.
4,145,849	A	3/1979	Shindoll et al.
4,187,892	A	2/1980	Simmons
4,188,758	A	2/1980	Swann
4,516,619	A	5/1985	Hasbrouck
4,648,766	A	3/1987	Wollar
D298,736	S	11/1988	Shiraishi

(Continued)

**1 Claim, 3 Drawing Sheets**



# US D634,612 S

Page 2

## U.S. PATENT DOCUMENTS

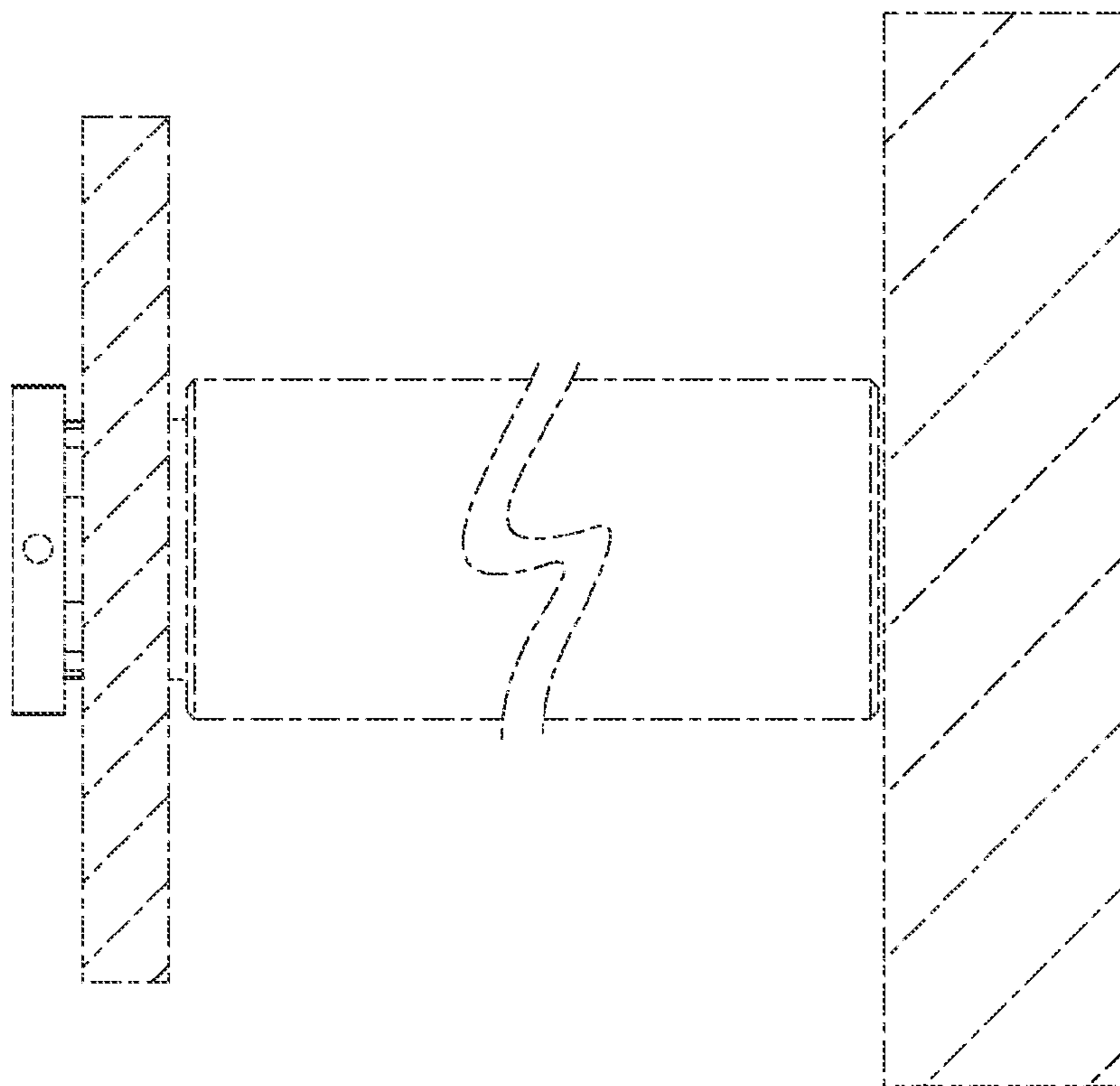
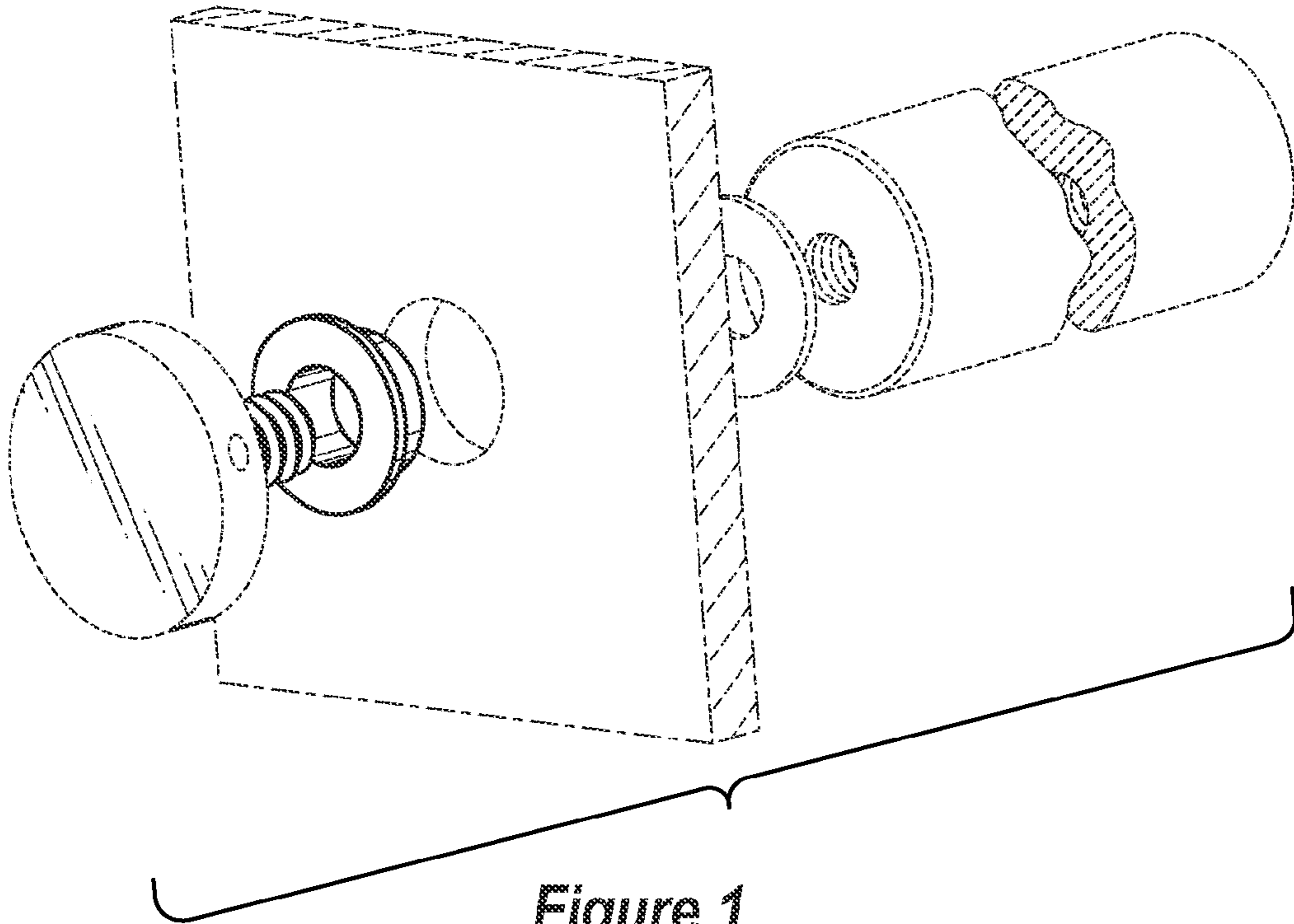
4,819,817 A 4/1989 Mar  
5,095,862 A 3/1992 Murphy  
5,148,928 A 9/1992 Arnold  
D347,382 S 5/1994 Carruthers  
5,540,514 A 7/1996 Demars et al.  
5,558,501 A 9/1996 Wang et al.  
5,826,847 A 10/1998 Warner et al.  
5,924,469 A 7/1999 Whittemore  
D421,896 S 3/2000 Hamernik  
D426,146 S 6/2000 Bruns et al.  
6,241,108 B1 6/2001 Nakatani et al.  
6,254,397 B1 7/2001 Elmer  
6,430,894 B1 8/2002 Chae et al.  
6,443,319 B1 9/2002 Sander  
6,467,225 B1 10/2002 Shimomura  
6,688,238 B1 2/2004 Alexiou  
D491,451 S 6/2004 Jien  
7,165,690 B2 1/2007 Wu  
D553,478 S 10/2007 Liao  
7,293,667 B2 11/2007 Flynn  
D563,216 S 3/2008 Suehiro et al.  
D590,702 S 4/2009 Giddings  
D590,703 S 4/2009 Suehiro et al.  
D592,043 S 5/2009 Suehiro et al.  
D593,850 S 6/2009 Kullman  
D594,735 S 6/2009 Hofer

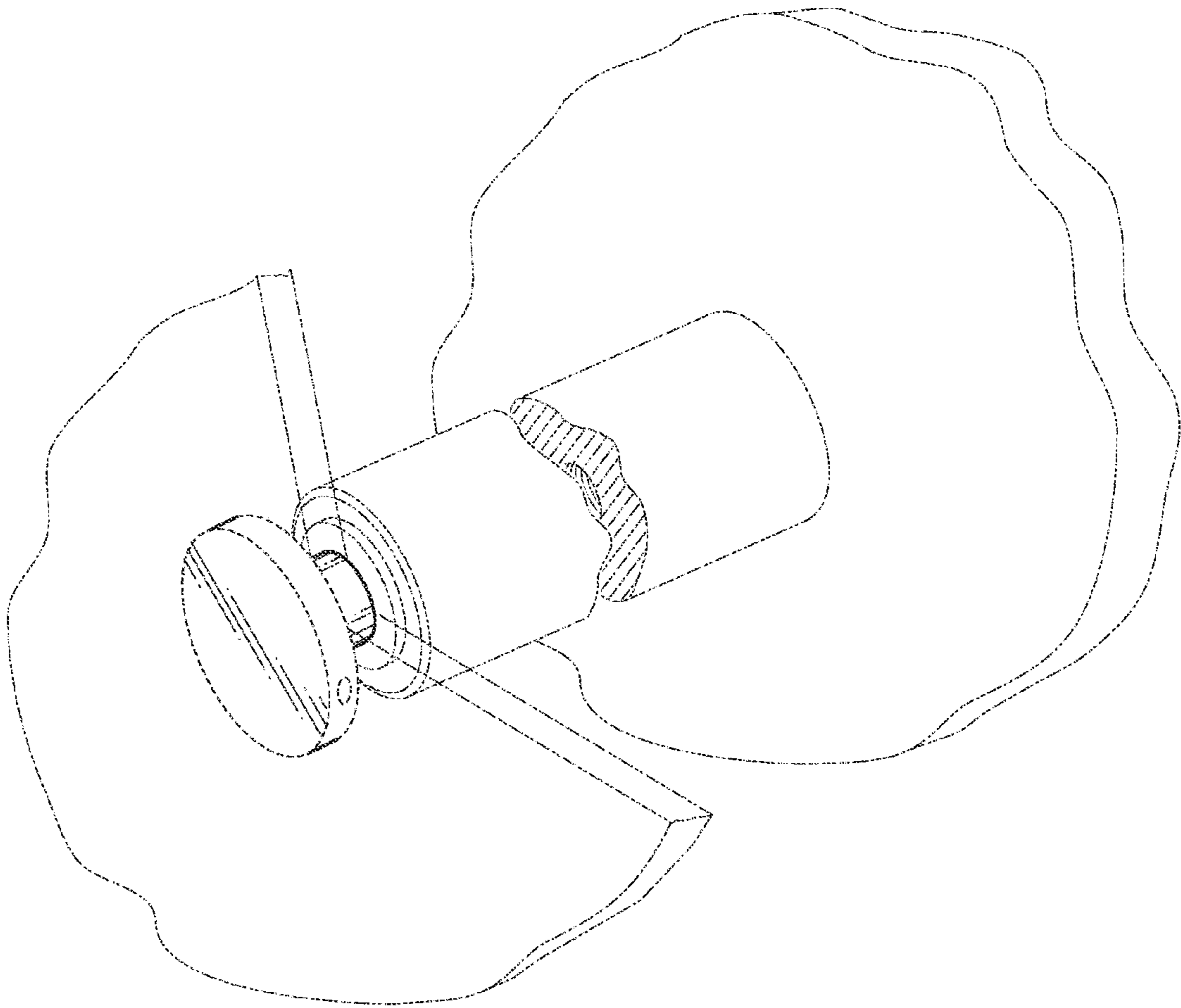
D596,926 S 7/2009 Venkateraman et al.  
D604,614 S \* 11/2009 Janboecke ..... D9/454  
D611,800 S 3/2010 Ghatikar  
D612,713 S 3/2010 Konecnik  
D623,506 S \* 9/2010 Ghatikar et al. .... D8/382  
2004/0173551 A1 9/2004 Wu  
2004/0226903 A1 11/2004 Wang

## OTHER PUBLICATIONS

USPTO, Notice of Allowance mailed Oct. 30, 2009 in U.S. Appl. No. 29/339,981, 8 pgs.  
Fluowall Online Brochure, Author Unknown, Guardamiglio, Italy [online], Oct. 13, 2006, 12 pgs. Retrieved from the Internet URL: <http://www.fluowall.it/fluowall.html>.  
Sorbeti Online Display Brochure, Author Unknown, [online], May 12, 2006, 45 pgs. Retrieved from the Internet URL: <http://www.bnind.com/sorbeti.asp>.  
Sorbeti Online Tech Specs, Author Unknown, [online], May 12, 2006, 12 pgs. Retrieved from the Internet URL: [http://www.bnind.com/downloads/pdfs/BN\\_Sorbeti\\_TechSpecs.pdf](http://www.bnind.com/downloads/pdfs/BN_Sorbeti_TechSpecs.pdf).  
Office Action mailed Oct. 19, 2010, U.S. Appl. No. 12/028,584, filed Feb. 8, 2008 (5 pages).  
Office Action mailed Sep. 14, 2010, U.S. Appl. No. 29/339,982, filed Jul. 10, 2009 (6 pages).

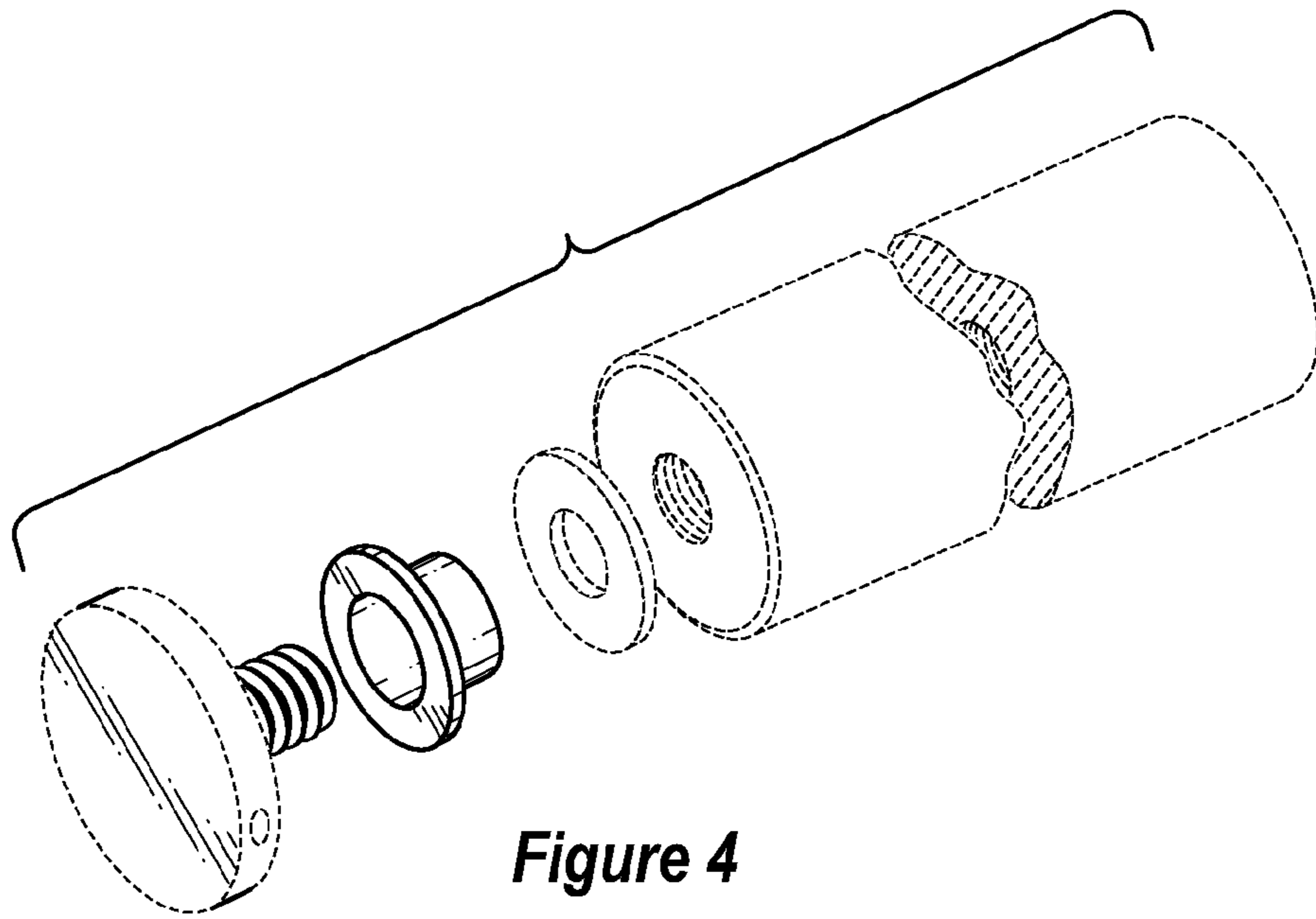
\* cited by examiner



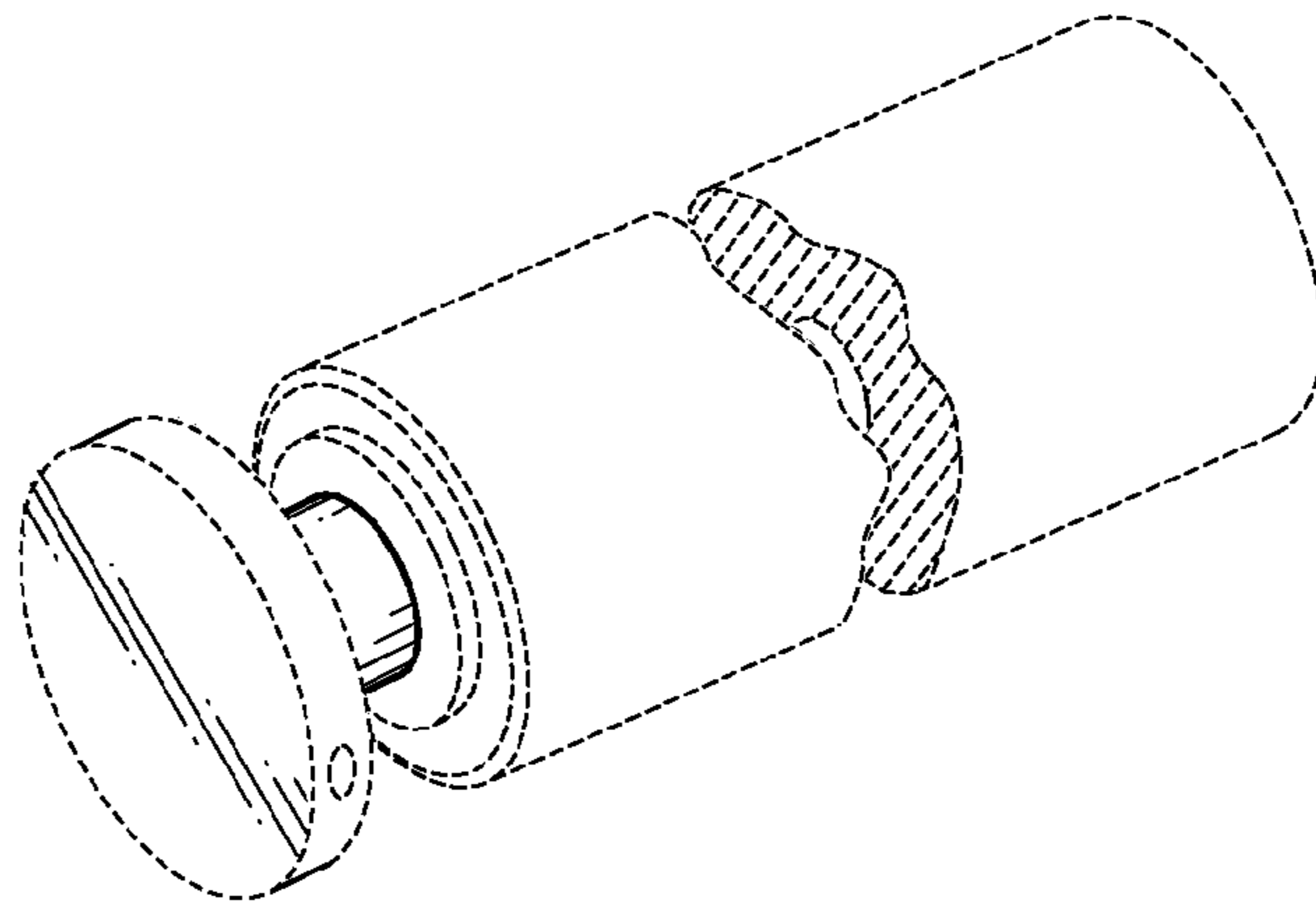


**Figure 3**

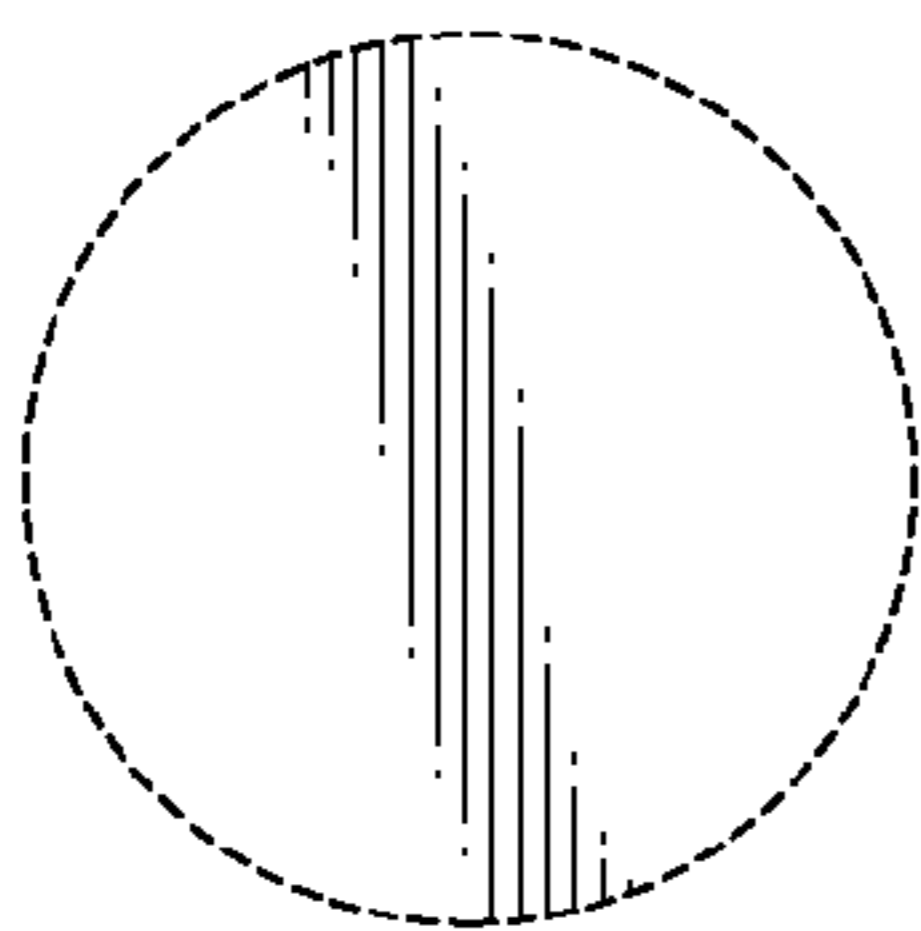




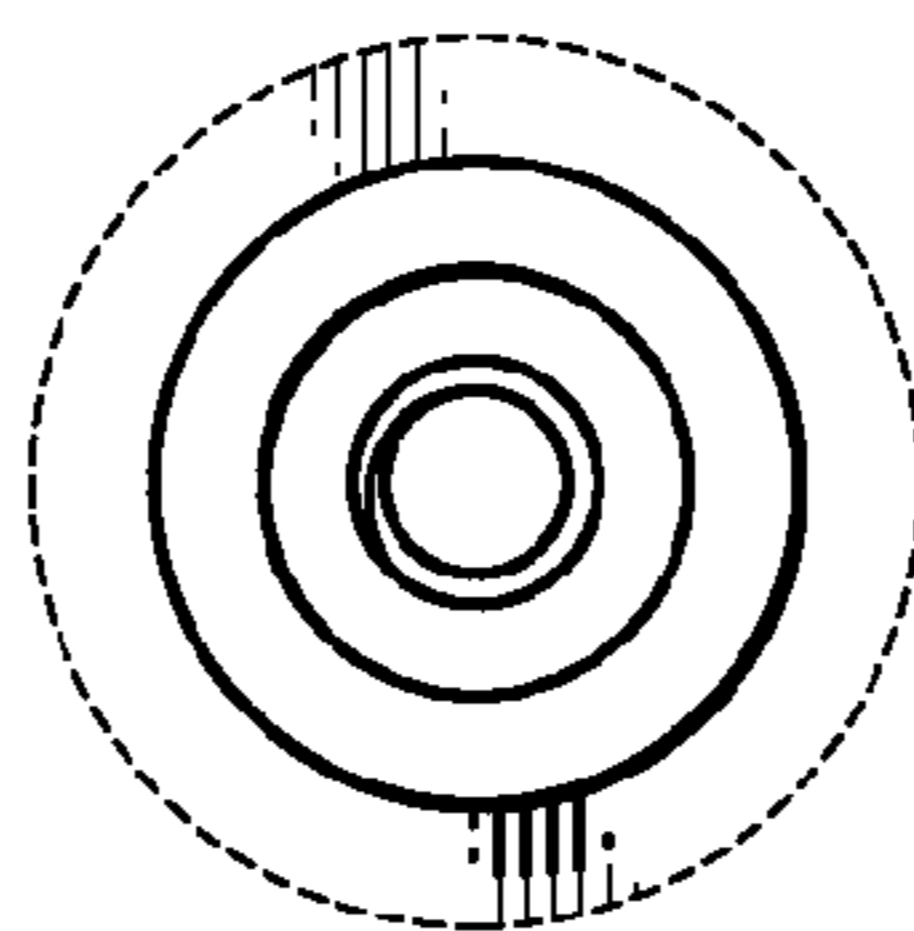
**Figure 4**



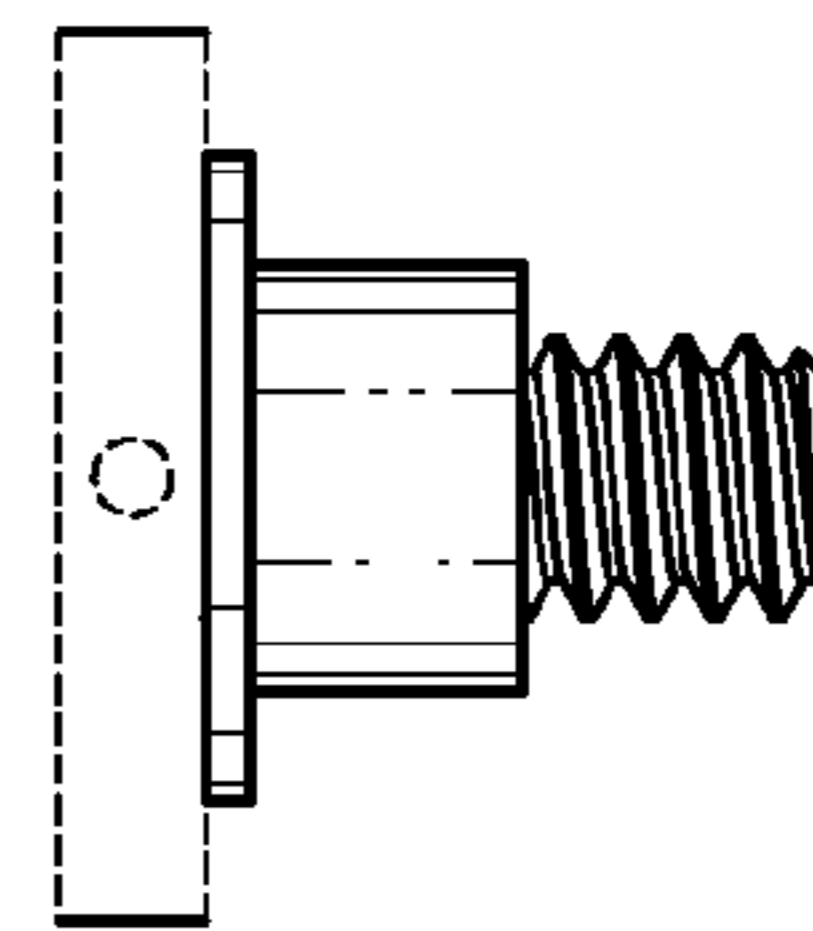
**Figure 5**



**Figure 6**



**Figure 7**



**Figure 8**