



US00D634611S

(12) **United States Design Patent**
Watson et al.

(10) **Patent No.:** **US D634,611 S**
(45) **Date of Patent:** **** Mar. 22, 2011**

(54) **CONNECTOR**

(75) Inventors: **Brian John Watson**, London (GB);
Anthony Arthur Wills, London (GB);
Philip Mark Hall, London (GB)

(73) Assignee: **Vertex Stone and Chinaware Ltd.**,
Hong Kong (CN)

(**) Term: **14 Years**

(21) Appl. No.: **29/356,454**

(22) Filed: **Feb. 25, 2010**

(51) **LOC (9) Cl.** **08-08**

(52) **U.S. Cl.** **D8/382**

(58) **Field of Classification Search** D8/382,
D8/349, 354; D11/86; 411/508-510; 403/300,
403/345, 170, 171, 172, 378, 178; D25/52,
D25/119, 121-124

See application file for complete search history.

(56) **References Cited**

U.S. PATENT DOCUMENTS

D491,055 S * 6/2004 Chou D8/382
D524,147 S * 7/2006 Bricker D8/382

D553,967 S * 10/2007 Westphal et al. D8/382
D599,199 S * 9/2009 Roberts et al. D8/382
D625,989 S * 10/2010 Mancosh et al. D8/382
D628,055 S * 11/2010 Mills D8/382

* cited by examiner

Primary Examiner — Holly H Baynham

Assistant Examiner — Sheryl Lane

(74) *Attorney, Agent, or Firm* — Rodman & Rodman

(57) **CLAIM**

The ornamental design for a connector, as shown and described.

DESCRIPTION

FIG. 1 is a top perspective view of a connector incorporating our new design;
FIG. 2 is a bottom view thereof;
FIG. 3 is a top plan view thereof;
FIG. 4 is a top plan view thereof, the opposite side view being a mirror image; and,
FIG. 5 is an end view of the right end of FIG. 1; and,
FIG. 6 is an end view of the left end of FIG. 1.

1 Claim, 3 Drawing Sheets

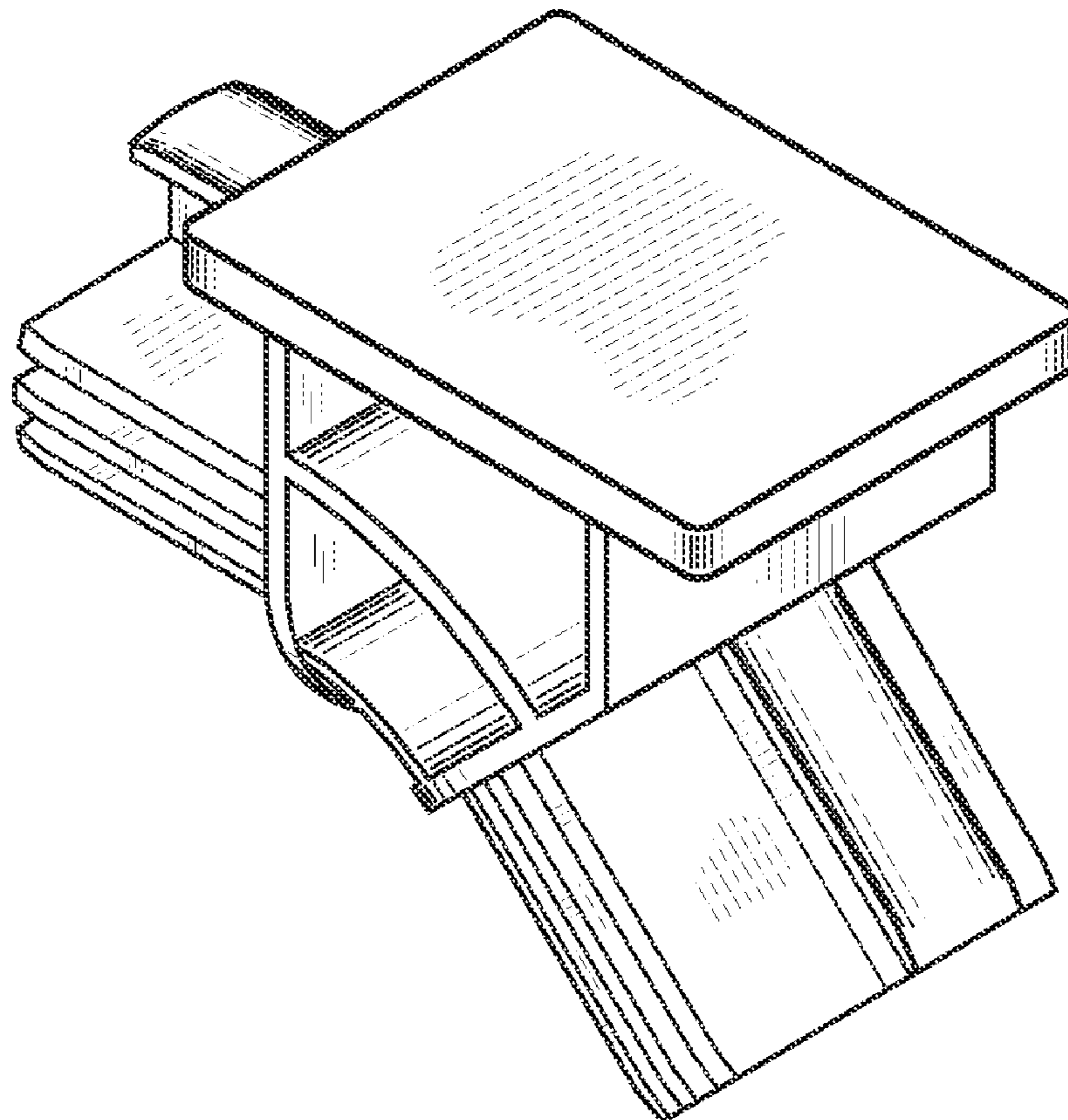


FIG. 1

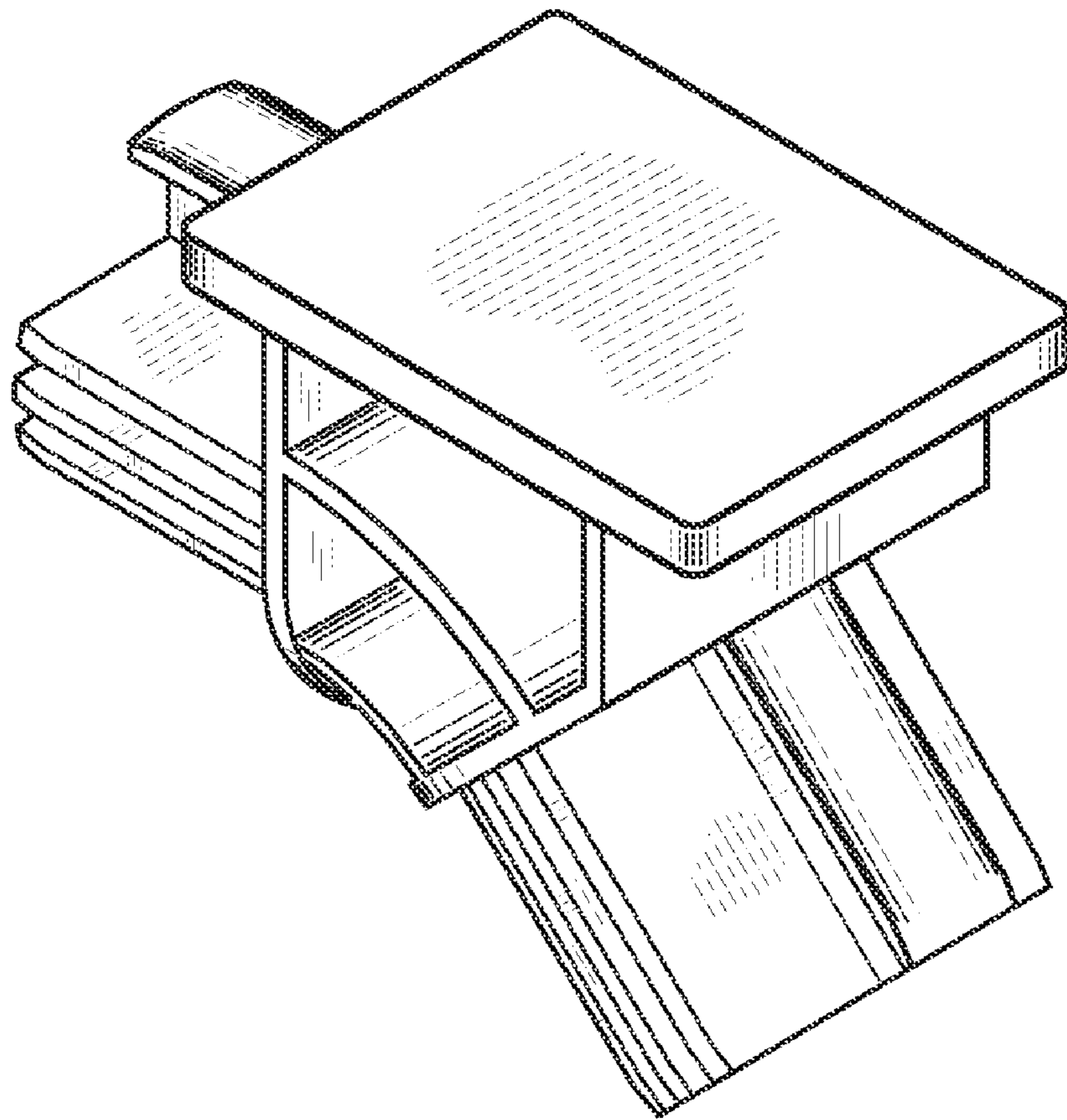


FIG. 2

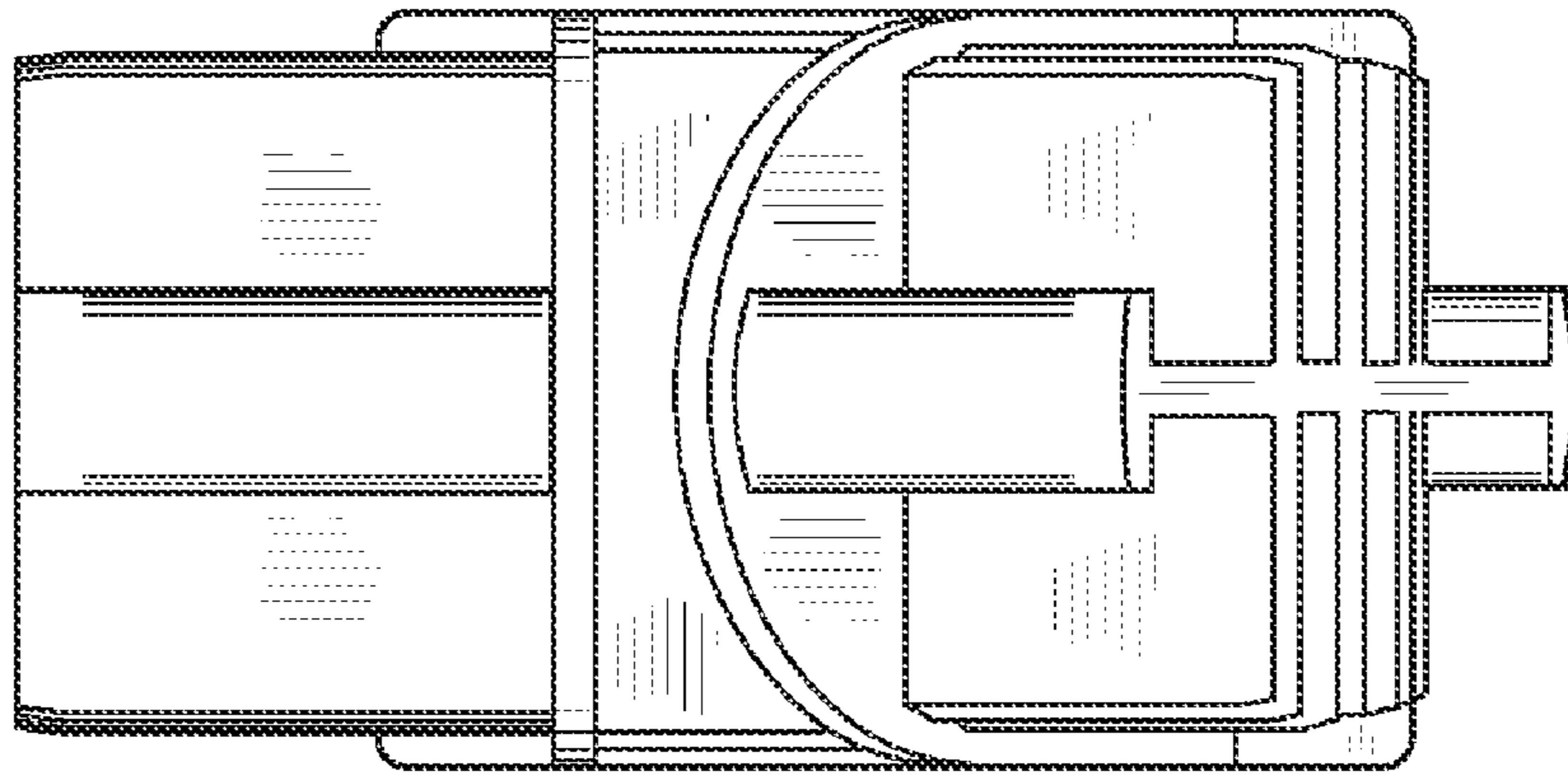


FIG. 3

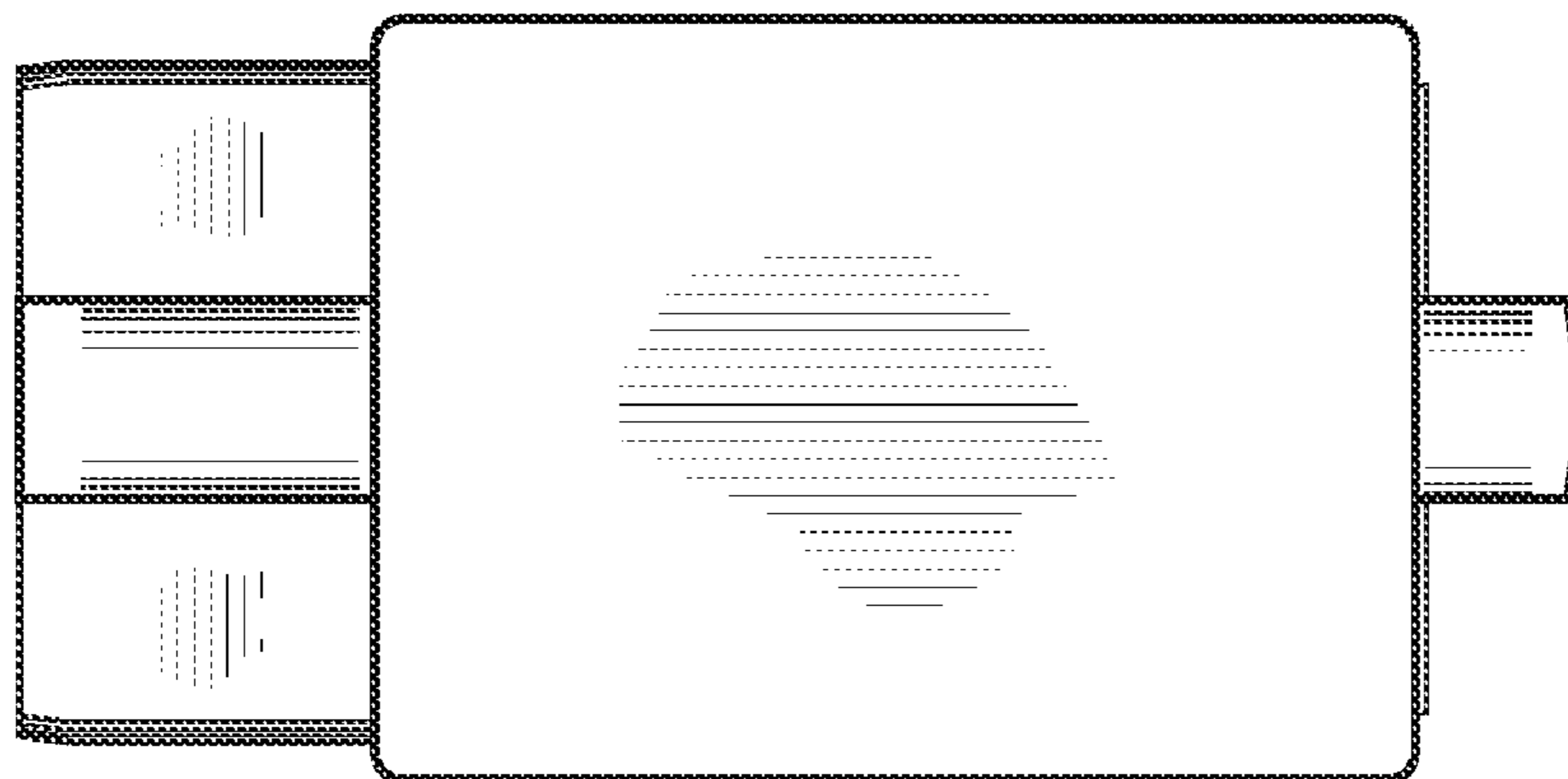


FIG. 4

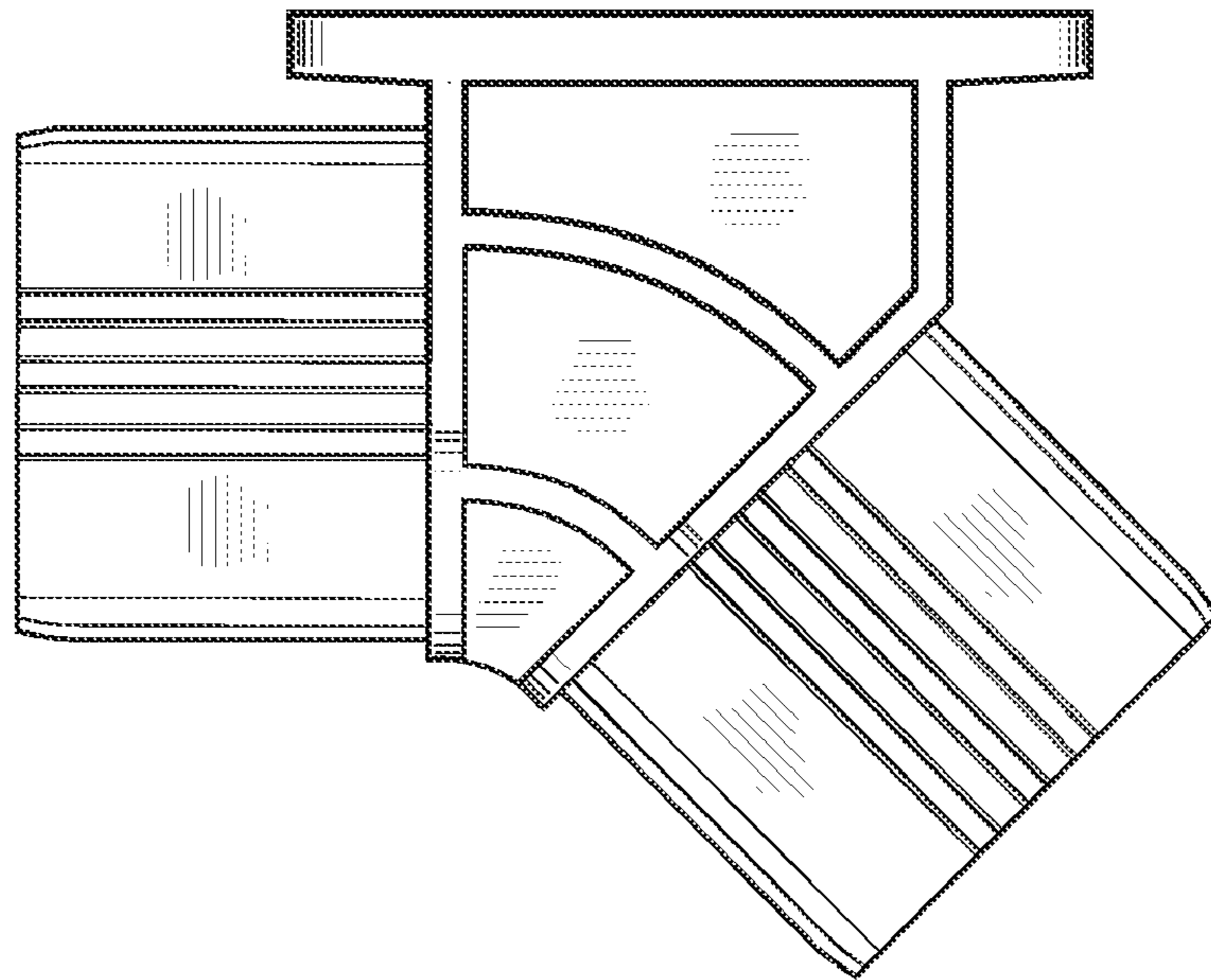


FIG. 5

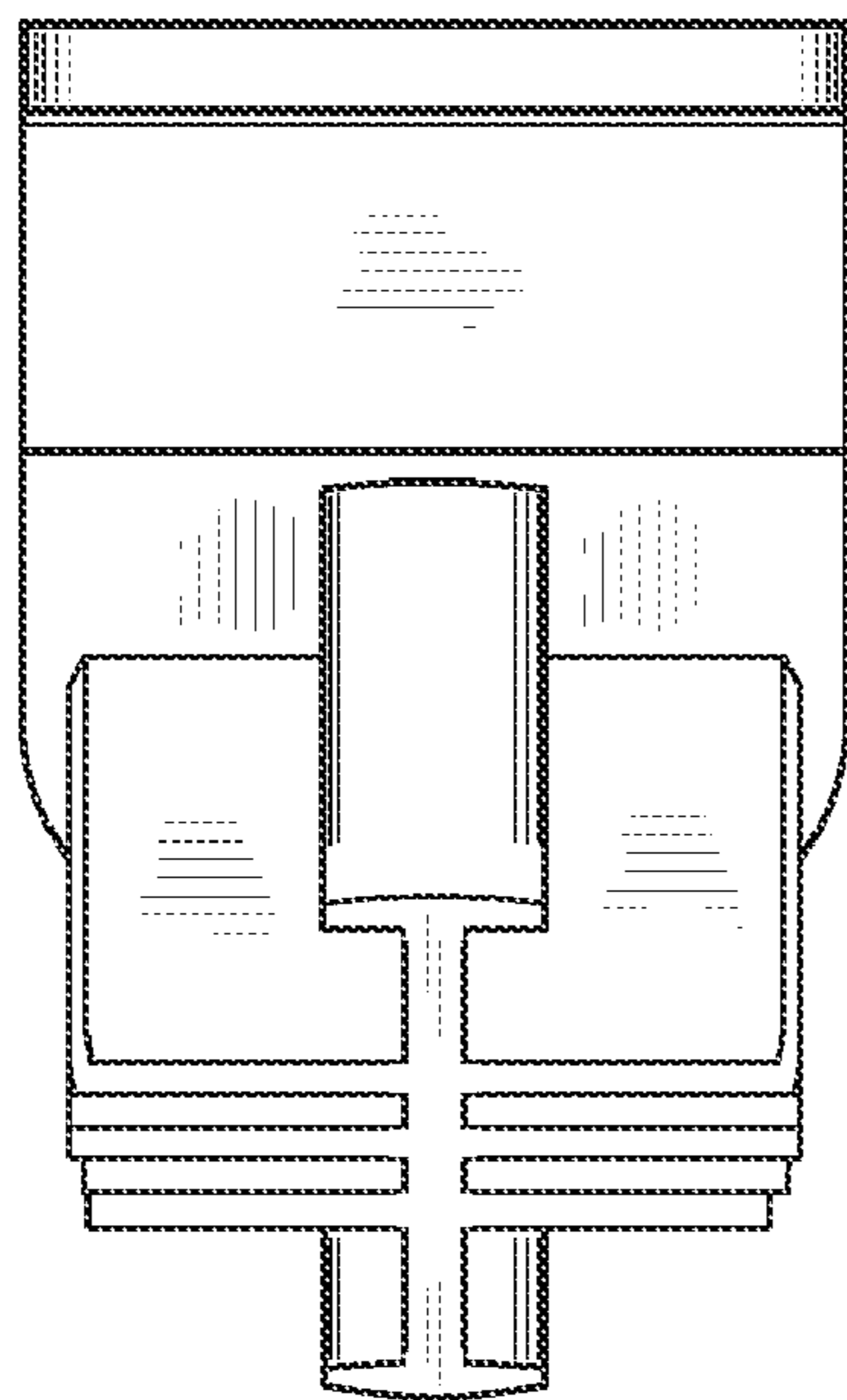


FIG. 6

