



US00D634607S

(12) **United States Design Patent**
Molter et al.

(10) **Patent No.:** **US D634,607 S**
(45) **Date of Patent:** **** Mar. 22, 2011**

(54) **PROJECTING DISPLAY MOUNT**
(75) Inventors: **Daniel E. Molter**, Elmhurst, IL (US);
Donald Anderson, Oak Park, IL (US);
Nicanor C. Ranchoero, Willowbrook, IL (US)

(73) Assignee: **Peerless Industries, Inc.**, Aurora, IL (US)

(**) Term: **14 Years**

(21) Appl. No.: **29/357,061**

(22) Filed: **Mar. 5, 2010**

(51) **LOC (9) Cl.** **08-05**

(52) **U.S. Cl.** **D8/363**

(58) **Field of Classification Search** D8/373,
D8/363; D14/451-452

See application file for complete search history.

(56) **References Cited**

U.S. PATENT DOCUMENTS

D337,333 S *	7/1993	Turk	D14/251
D488,708 S	4/2004	Lam et al.		
D489,599 S	5/2004	Lam		
D496,367 S	9/2004	Pfister		
D505,858 S	6/2005	O'Keene		
D506,205 S *	6/2005	Boele	D14/452
6,905,101 B1	6/2005	Dittmer		
D507,477 S	7/2005	Pfister		
D543,210 S *	5/2007	Stenhouse et al.	D14/452
D543,211 S *	5/2007	Petrick et al.	D14/452
7,243,892 B2	7/2007	Pfister		
D549,558 S	8/2007	Dittmer et al.		
D556,205 S	11/2007	Wohlford et al.		
D558,560 S	1/2008	Ciungan		
D558,561 S	1/2008	Ciungan		
D558,562 S	1/2008	Ciungan et al.		
D558,563 S	1/2008	Ciungan		
D558,564 S	1/2008	Ciungan		
D559,087 S	1/2008	Ciungan		
D559,088 S	1/2008	Ciungan		
D562,113 S	2/2008	Ciungan et al.		
7,380,760 B2 *	6/2008	Dittmer	248/278.1
7,387,286 B2	6/2008	Dittmer et al.		

7,438,269 B2	10/2008	Pfister et al.
7,487,943 B1	2/2009	Gillespie
7,513,469 B1	4/2009	Ciungan
D595,723 S	7/2009	Bures et al.
D605,185 S	12/2009	Russell et al.
7,641,163 B2	1/2010	O'Keene
2008/0151483 A1	6/2008	Holbrook et al.

OTHER PUBLICATIONS

- U.S. Appl. No. 29/358,115, filed Mar. 23, 2010, Molter et al.
- U.S. Appl. No. 29/358,112, filed Mar. 23, 2010, Molter et al.
- U.S. Appl. No. 29/358,120, filed Mar. 23, 2010, Molter et al.
- U.S. Appl. No. 29/357,037, filed Mar. 5, 2010, Molter et al.
- U.S. Appl. No. 29/357,041, filed Mar. 5, 2010, Molter et al.
- U.S. Appl. No. 29/358,151, filed Mar. 23, 2010, Molter et al.
- U.S. Appl. No. 29/358,138, filed Mar. 23, 2010, Molter et al.
- U.S. Appl. No. 29/358,154, filed Mar. 23, 2010, Molter et al.
- U.S. Appl. No. 29/358,110, filed Mar. 23, 2010, Molter et al.
- U.S. Appl. No. 29/358,109, filed Mar. 23, 2010, Molter et al.

* cited by examiner

Primary Examiner — Holly H Baynham

(74) Attorney, Agent, or Firm — Foley & Lardner LLP

(57) **CLAIM**

We claim the ornamental design for a projecting display mount, as shown and described.

DESCRIPTION

FIG. 1 is a first perspective view of a projecting display mount showing our new design, wherein the break lines indicate indeterminate length;

FIG. 2 is a second perspective view thereof;

FIG. 3 is a front elevational view thereof;

FIG. 4 is a right side elevational view thereof;

FIG. 5 is a left side elevational view thereof;

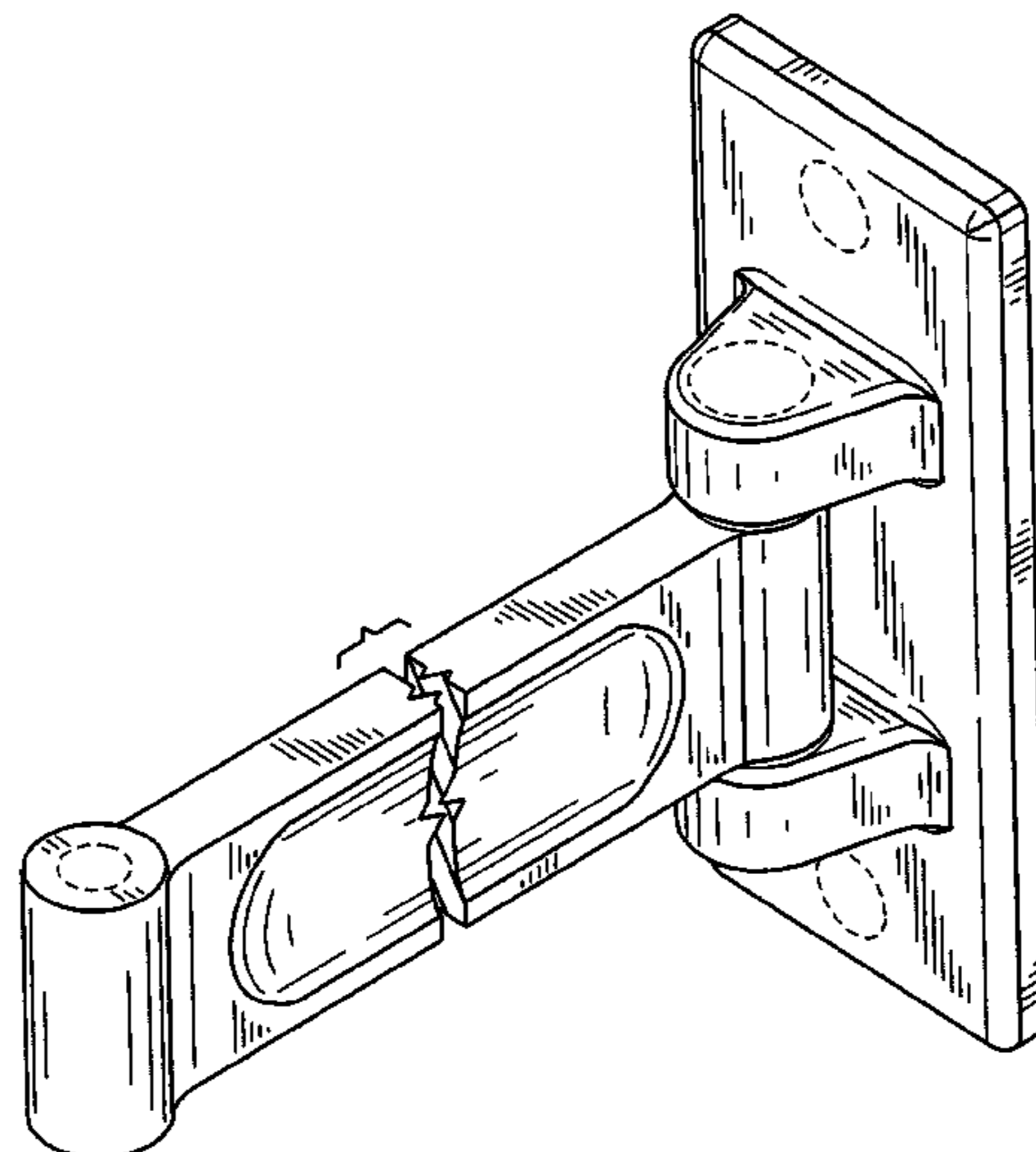
FIG. 6 is a top plan view thereof;

FIG. 7 is a bottom plan view thereof; and,

FIG. 8 is a rear elevational view thereof.

The broken line showing of mounting holes and bolts is included for the purpose of illustrating environment and forms no part of the claimed design.

1 Claim, 6 Drawing Sheets



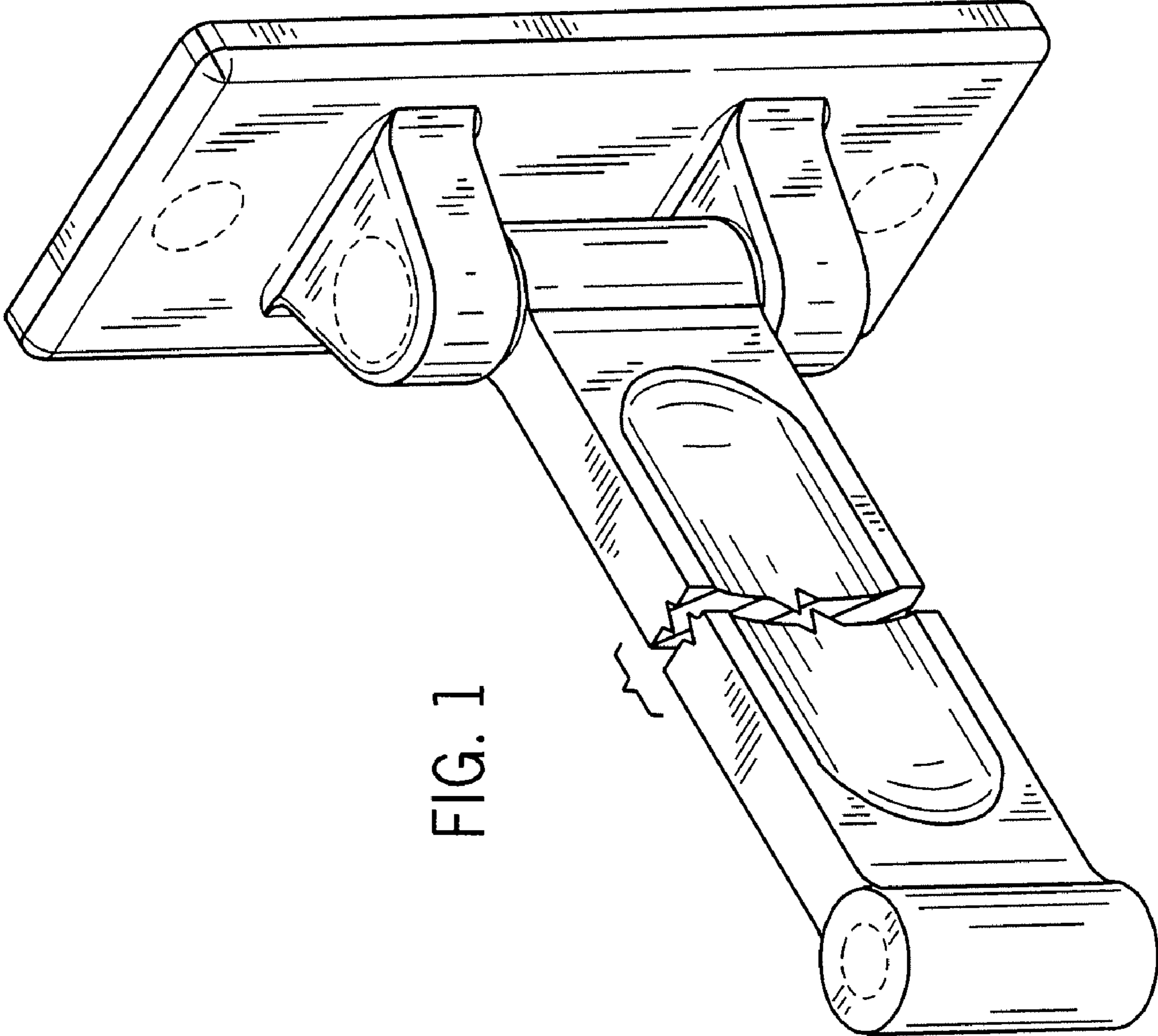


FIG. 1

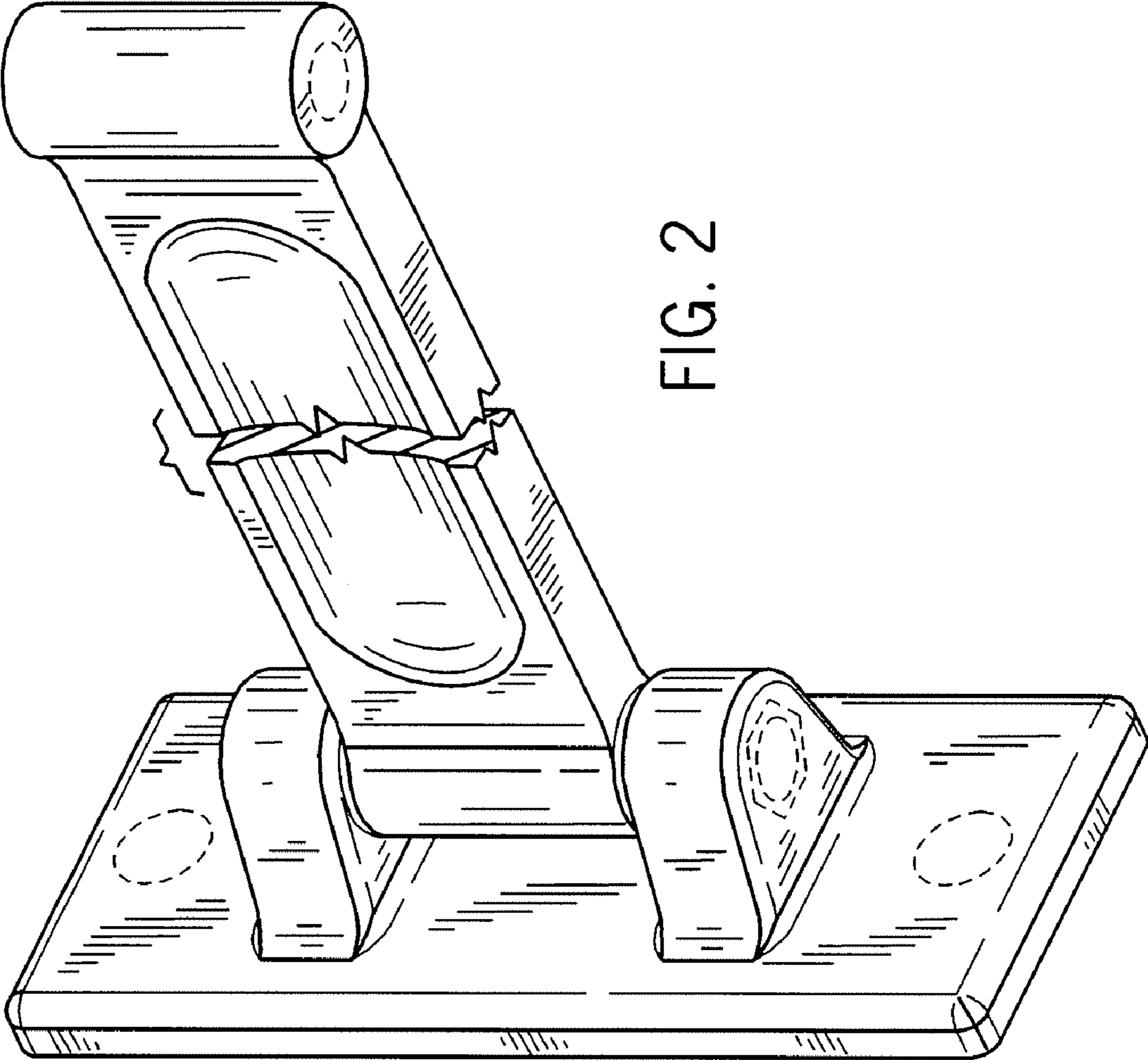


FIG. 2

FIG. 8

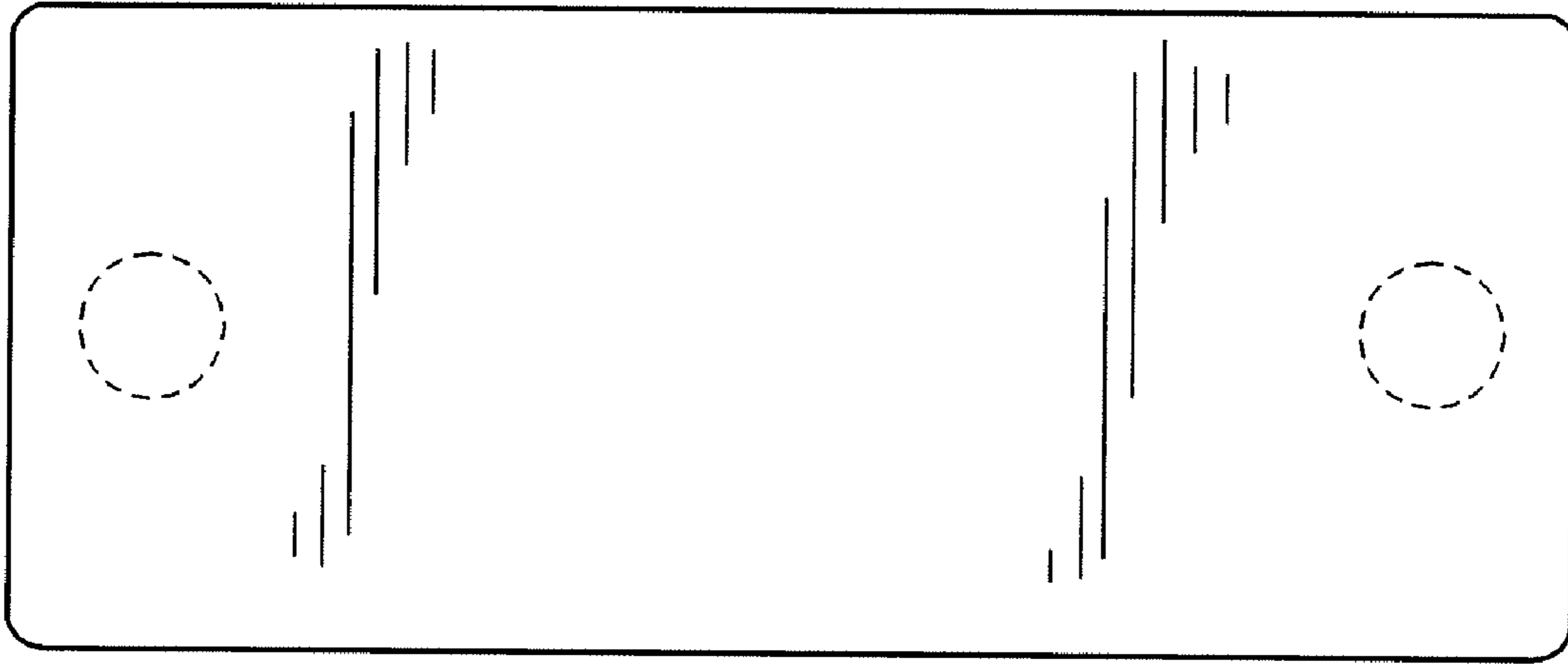
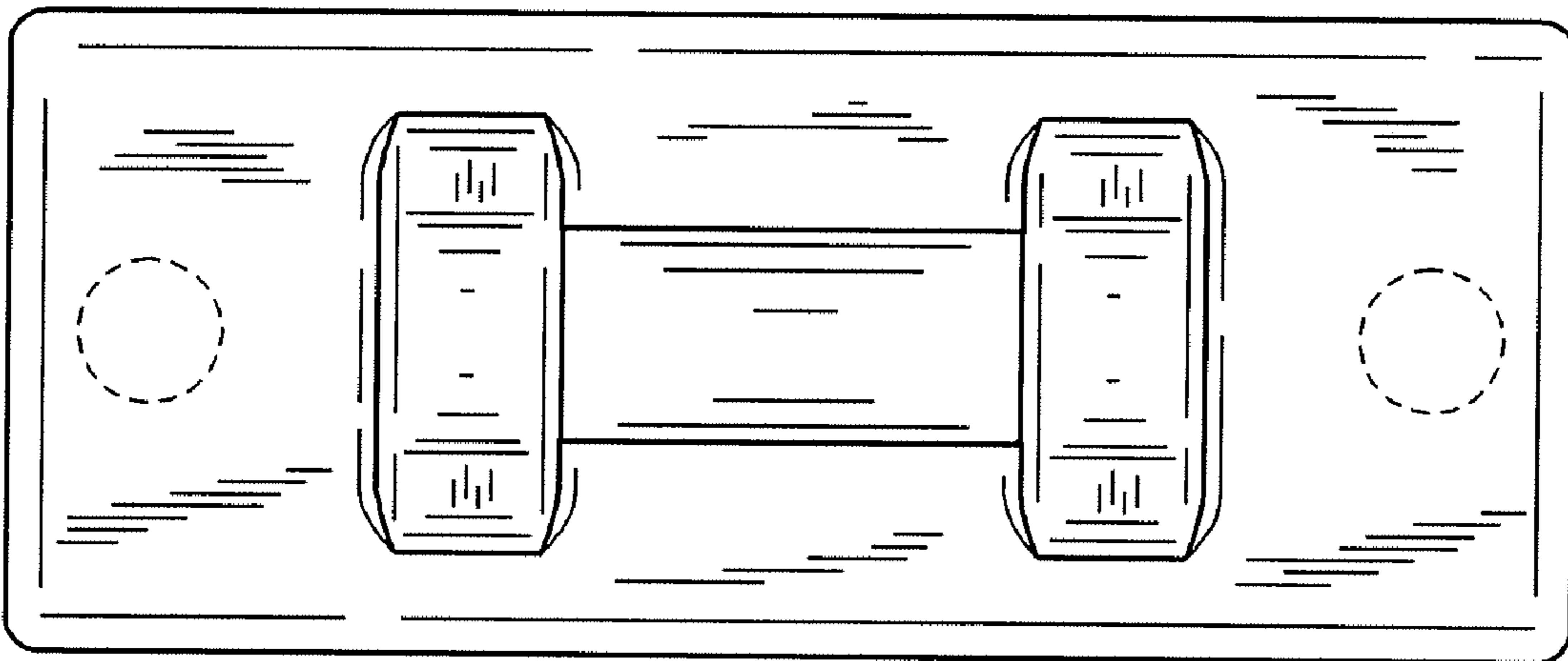


FIG. 3



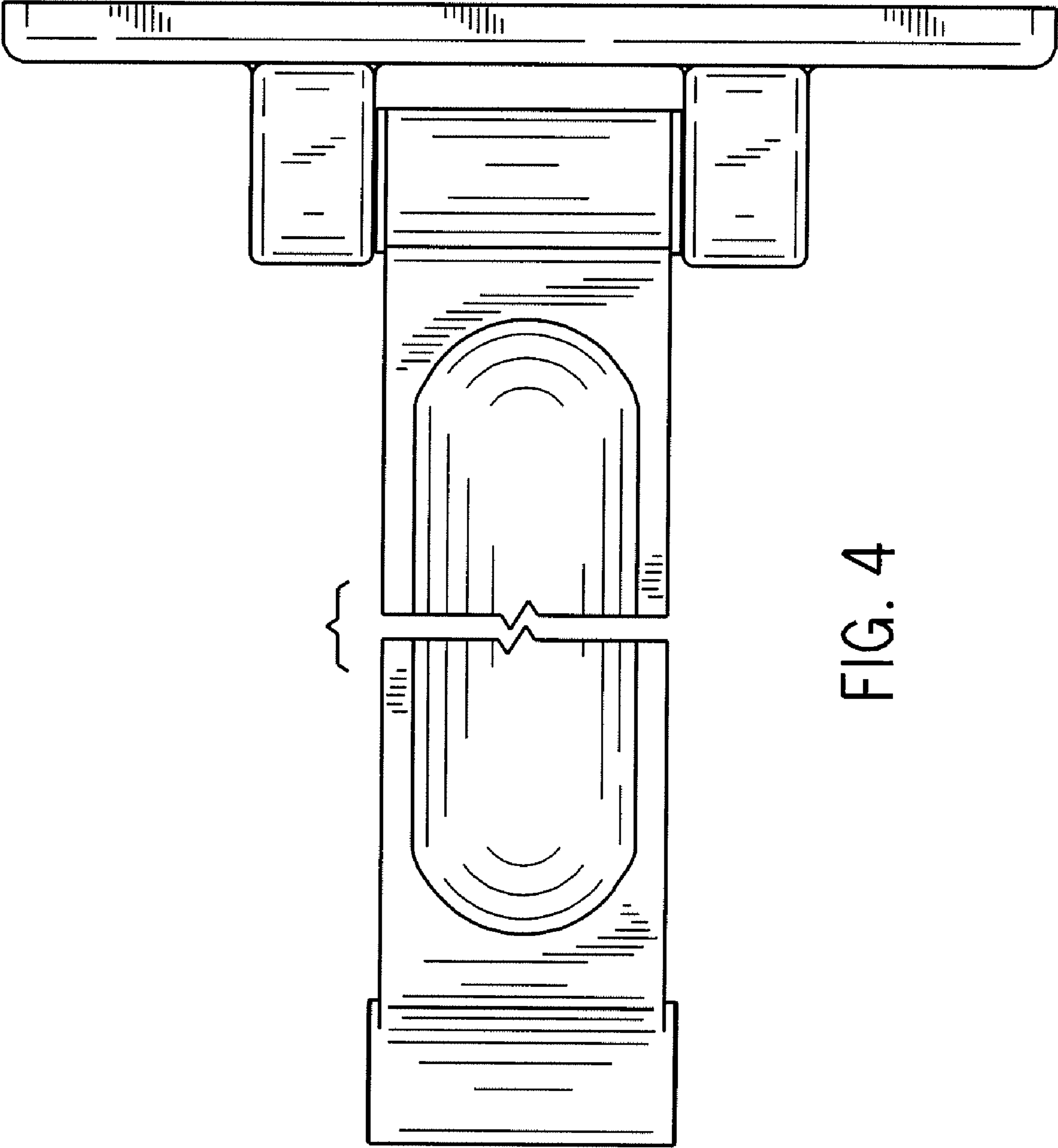


FIG. 4

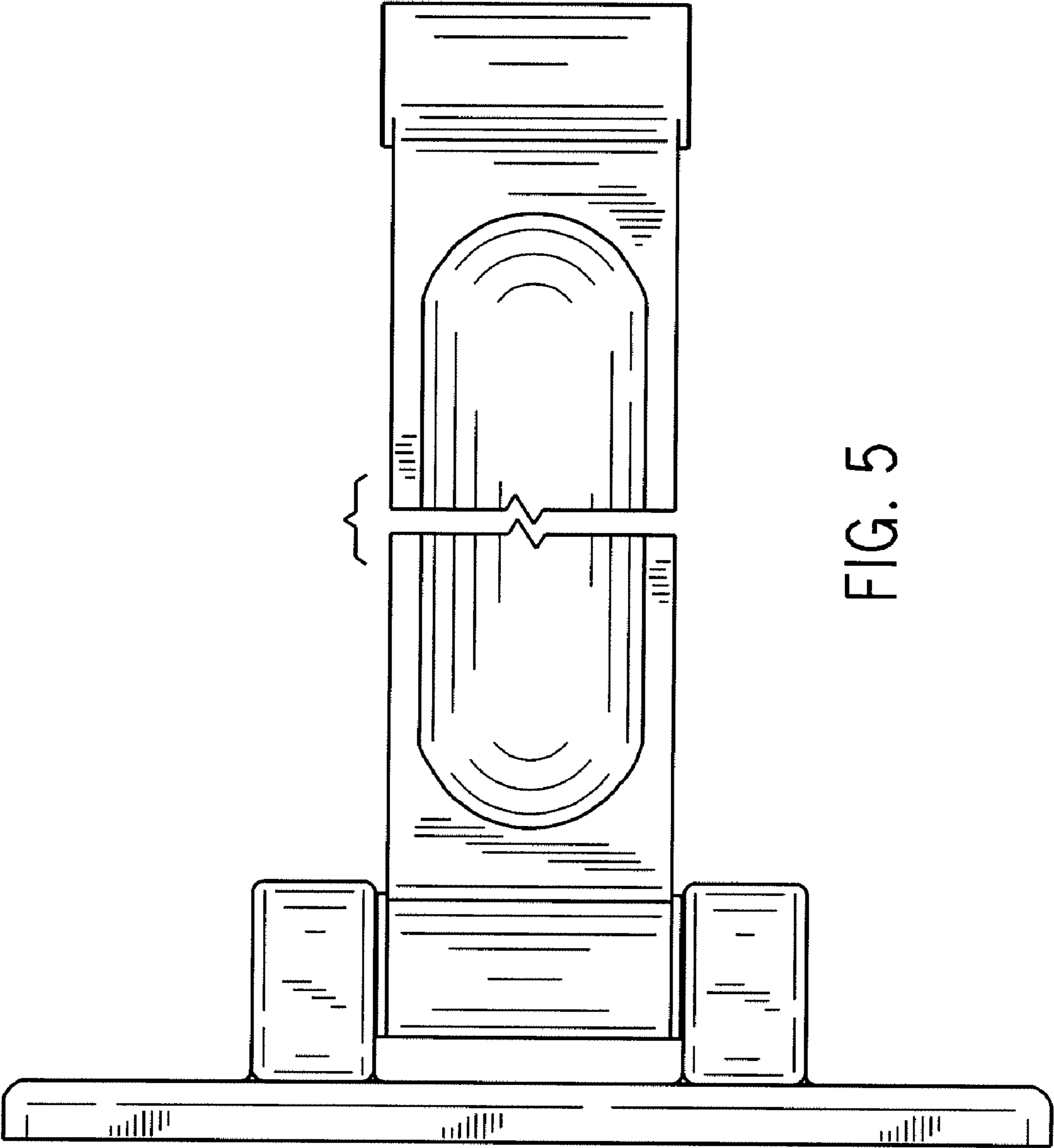


FIG. 5

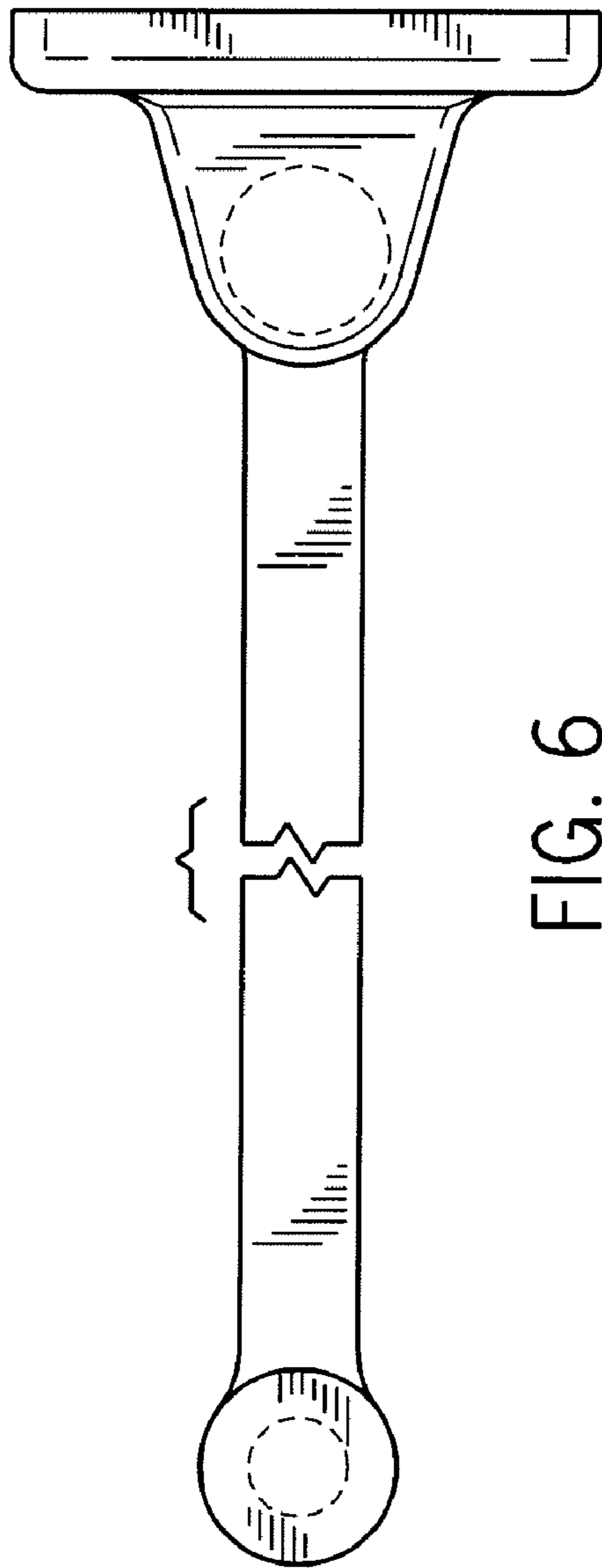


FIG. 6

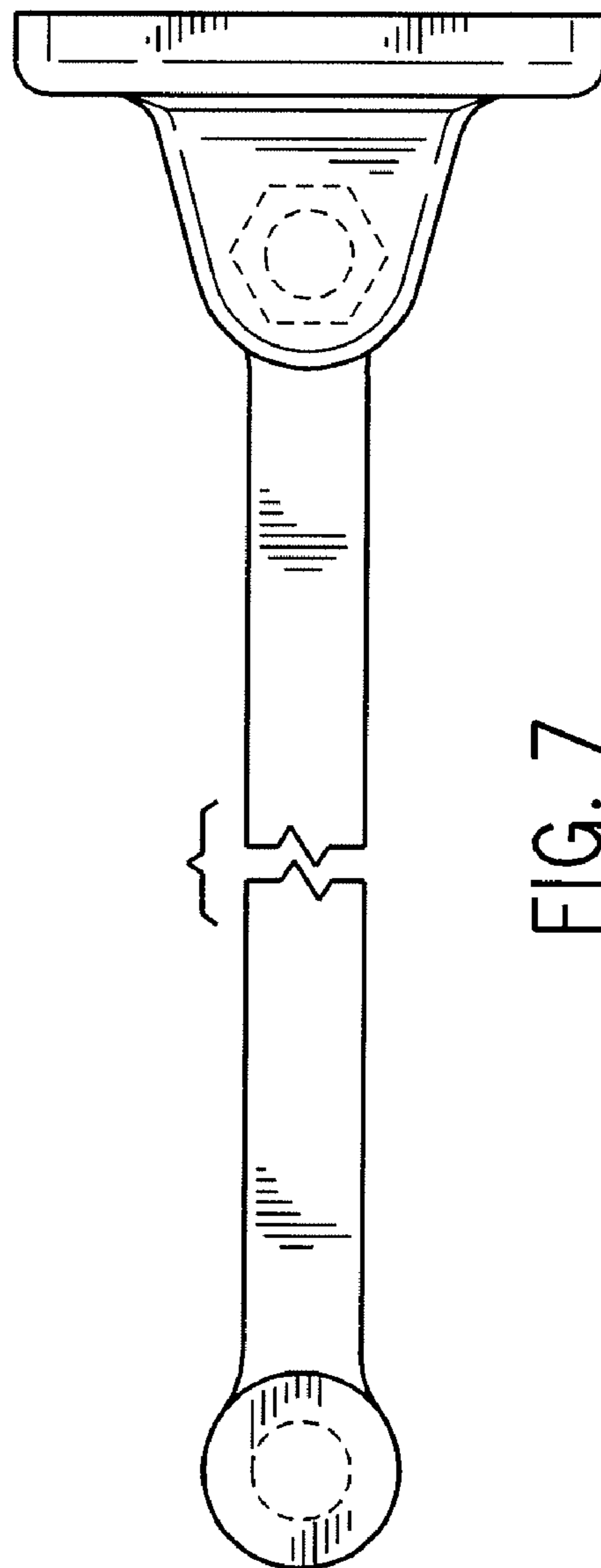


FIG. 7