



US00D634606S

(12) **United States Design Patent**  
**Dittmer**

(10) **Patent No.:** **US D634,606 S**  
(45) **Date of Patent:** **\*\* Mar. 22, 2011**

(54) **ADJUSTABLE GARAGE DOOR OPENER MOUNT**

(75) Inventor: **Jay Dittmer**, Prior Lake, MN (US)

(73) Assignee: **Milestone AV Technologies LLC**,  
Savage, MN (US)

(\*\*) Term: **14 Years**

(21) Appl. No.: **29/359,912**

(22) Filed: **Apr. 16, 2010**

(51) **LOC (9) Cl.** ..... **08-05**

(52) **U.S. Cl.** ..... **D8/355**

(58) **Field of Classification Search** ..... D8/349,  
D8/354-355; 248/300, 581, 589, 612, 638  
See application file for complete search history.

(56) **References Cited**

U.S. PATENT DOCUMENTS

D311,392 S *	10/1990	Hillary et al.	.....	D14/451
D318,756 S *	8/1991	Schulle	.....	D3/26
D433,616 S *	11/2000	Fischer	.....	D8/355
7,117,972 B2 *	10/2006	Mattson et al.	.....	181/209
D615,596 S *	5/2010	Bik et al.	.....	D21/333

\* cited by examiner

*Primary Examiner* — Holly H Baynham

(74) *Attorney, Agent, or Firm* — Patterson Thuent Christensen Pedersen, P.A.

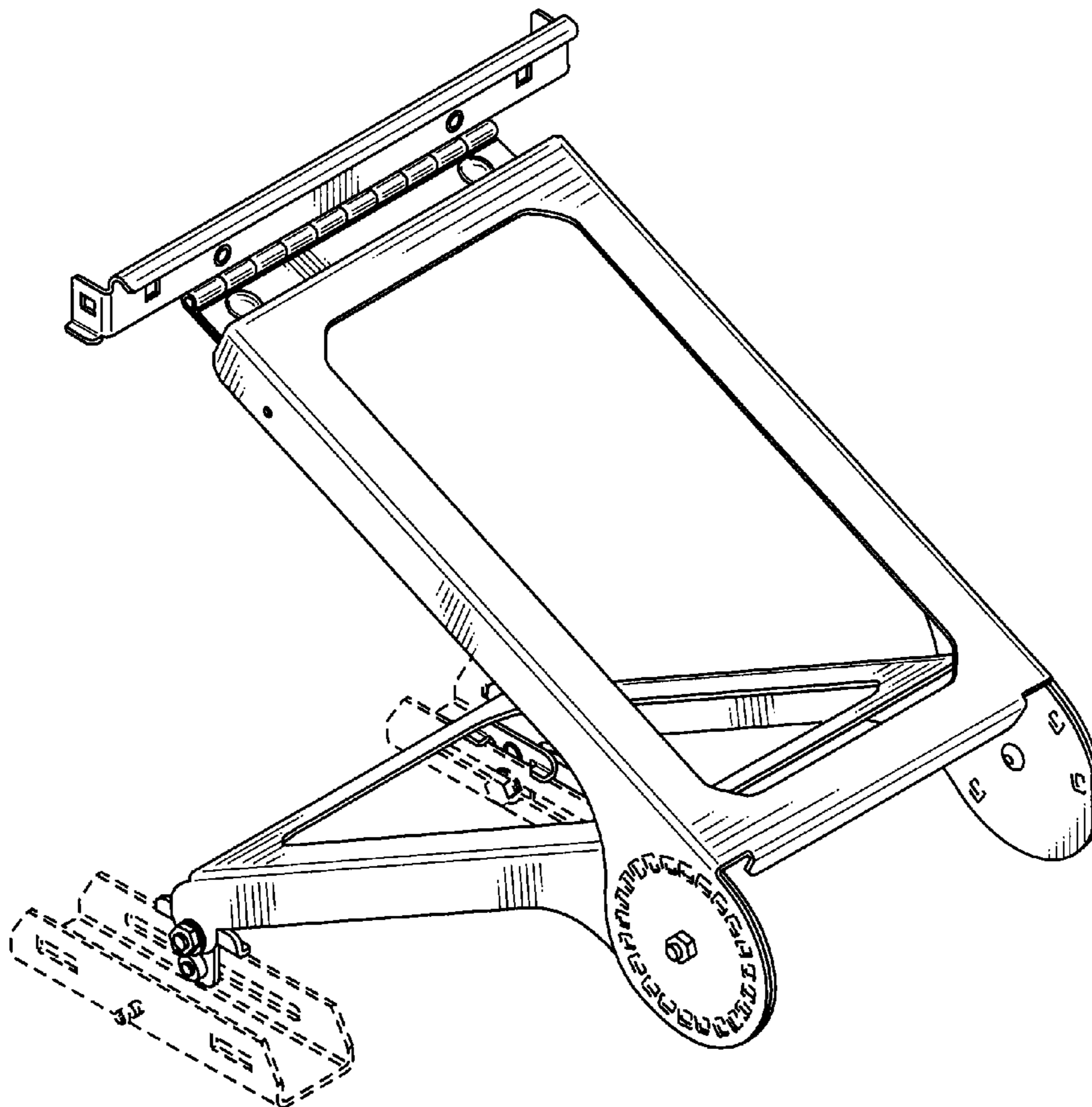
(57) **CLAIM**

The ornamental design for an adjustable garage door opener mount, as shown and described.

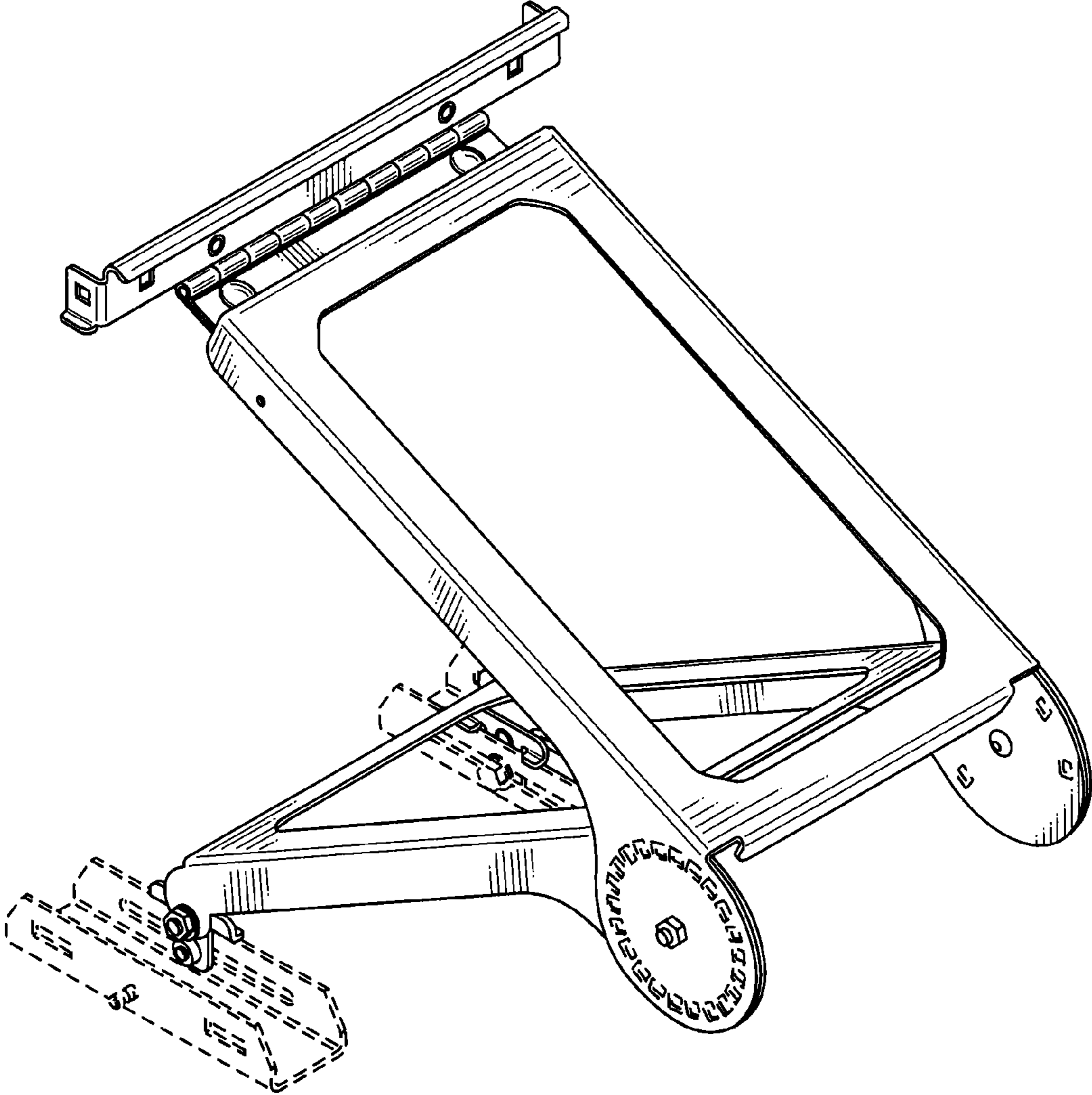
**DESCRIPTION**

FIG. 1 is a front perspective view of an adjustable garage door opener mount according to the invention; FIG. 2 is a right side elevation view of the adjustable garage door opener mount depicted in FIG. 1; FIG. 3 is a left side elevation view of the adjustable garage door opener mount depicted in FIG. 1; FIG. 4 is a rear elevation view of the adjustable garage door opener mount depicted in FIG. 1; FIG. 5 is a top plan view of the adjustable garage door opener mount depicted in FIG. 1; FIG. 6 is a front elevation view of the adjustable garage door opener mount depicted in FIG. 1; and, FIG. 7 is a bottom plan view of the adjustable garage door opener mount depicted in FIG. 1. Structure depicted in broken lines is for the purpose of illustrating environment and forms no part of the claimed design.

**1 Claim, 7 Drawing Sheets**



**Fig. 1**



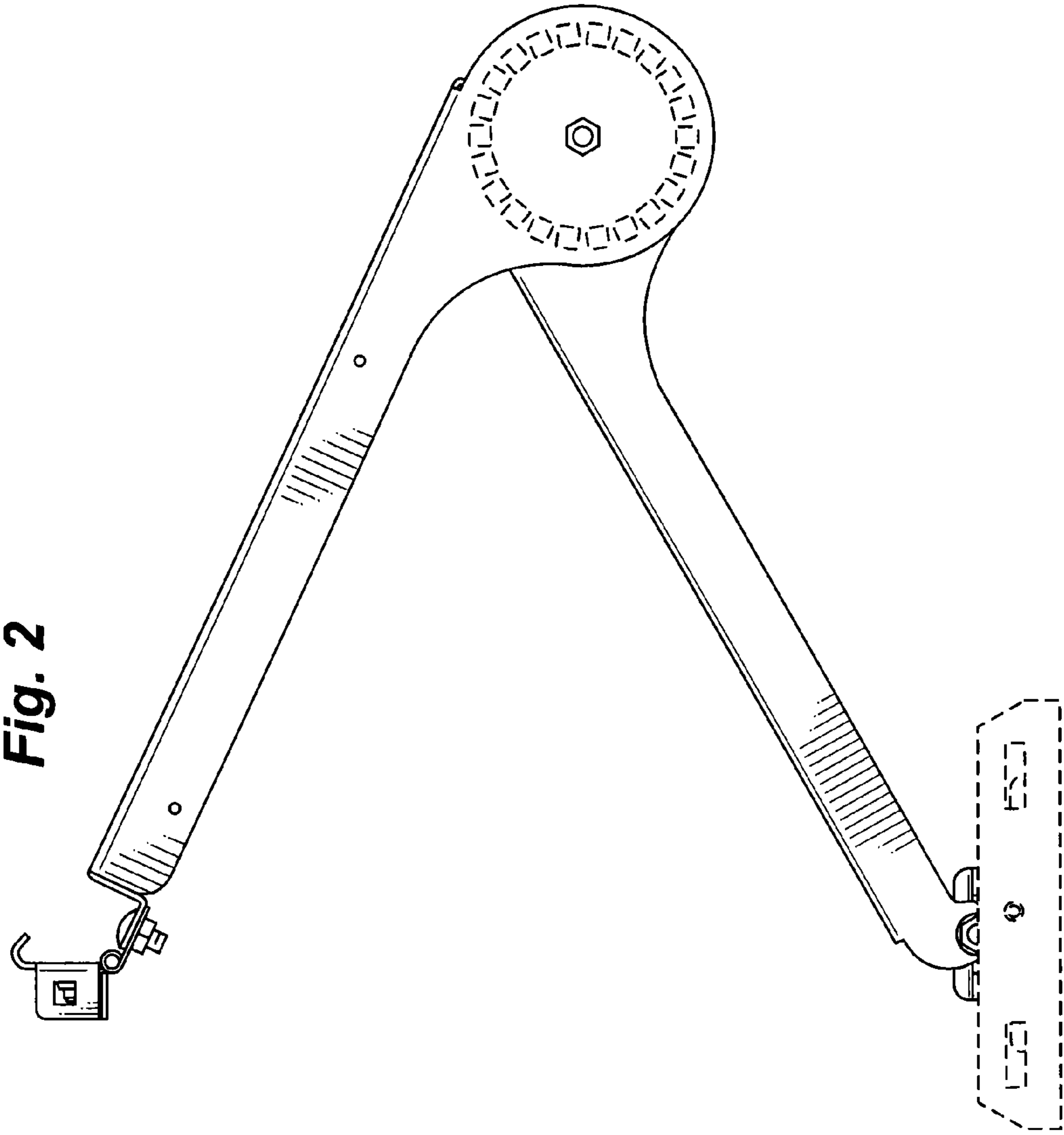
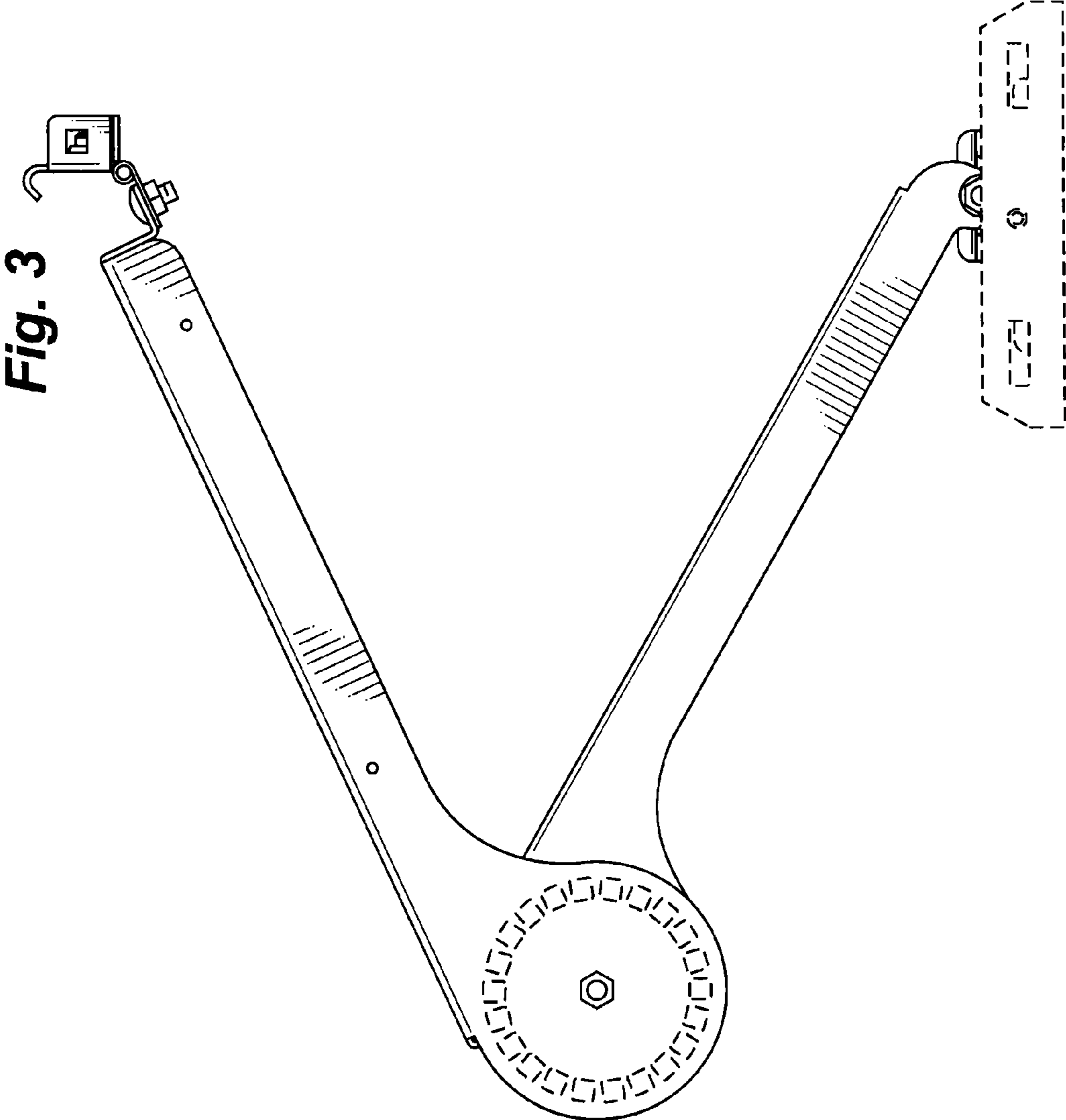


Fig. 2



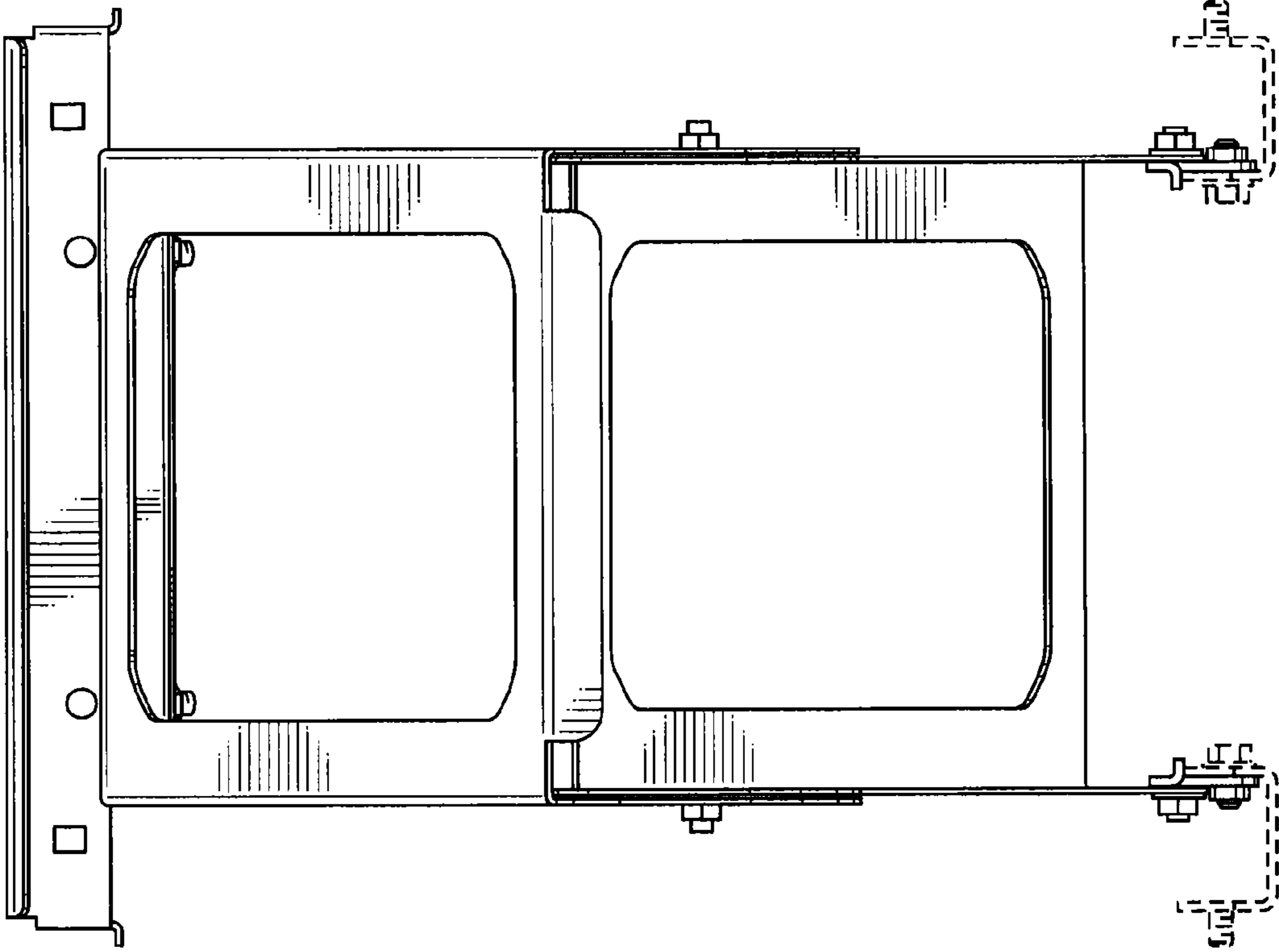
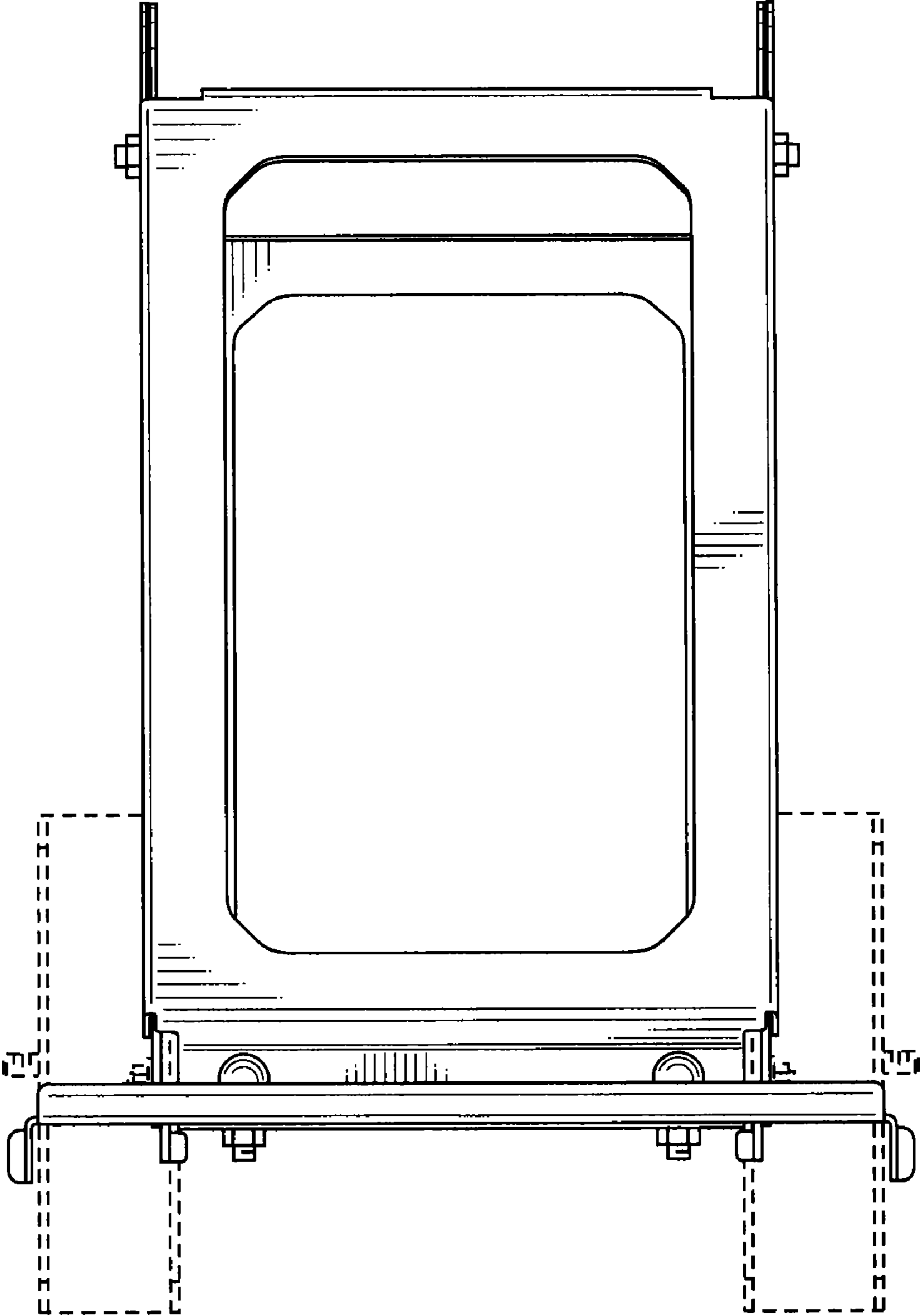


Fig. 4

**Fig. 5**



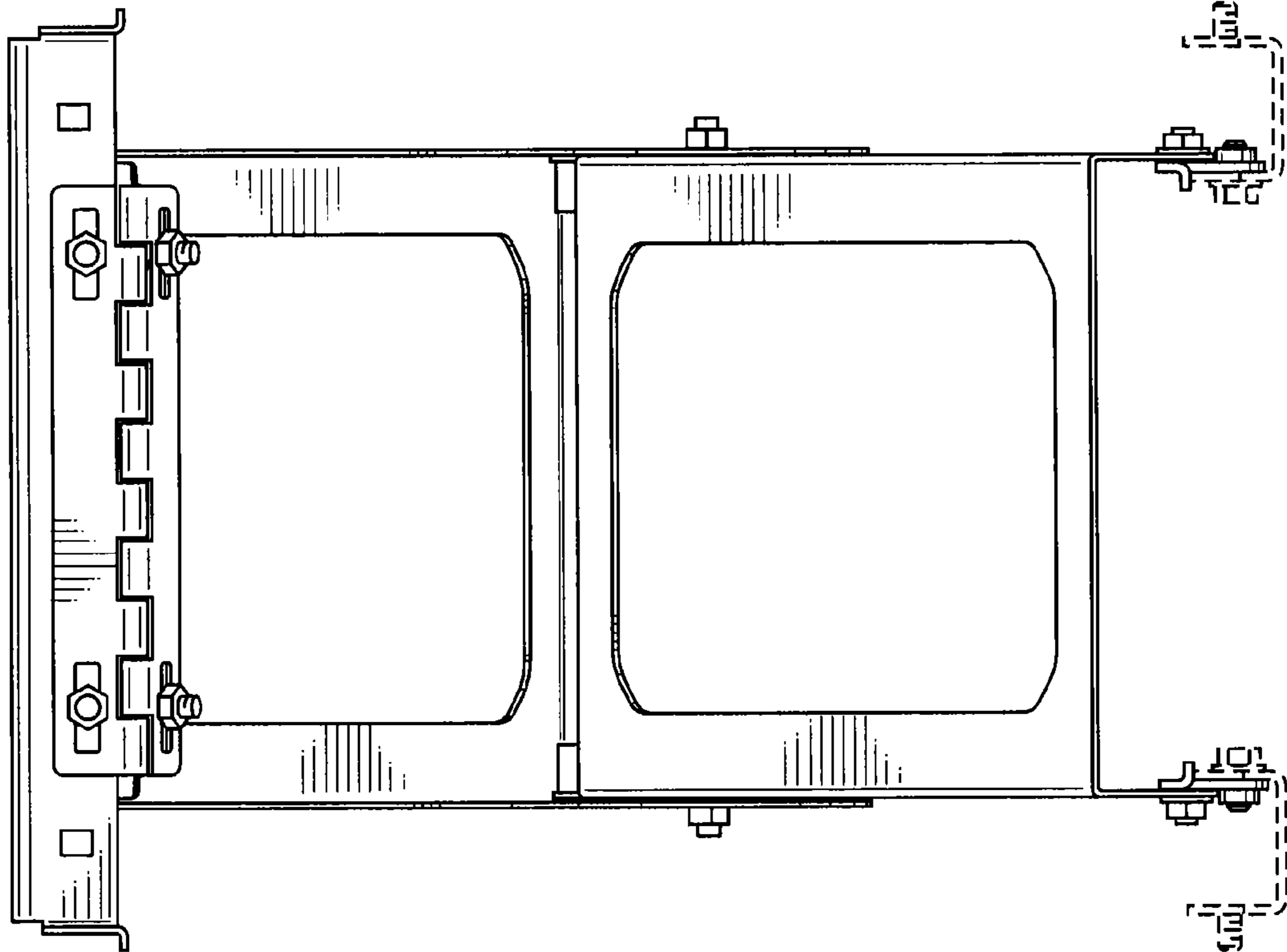


Fig. 6

Fig. 7

