



US00D634605S

(12) **United States Design Patent**
Guimaraes

(10) **Patent No.:** **US D634,605 S**
(45) **Date of Patent:** **** Mar. 22, 2011**

(54) **LOCKING PIN ASSEMBLY FOR AN EXCAVATOR WEAR MEMBER**

(75) Inventor: **Miguel Guimaraes, Mackay (AU)**

(73) Assignee: **CQMS Pty Ltd, Mackay, Queensland (AU)**

(**) Term: **14 Years**

(21) Appl. No.: **29/362,308**

(22) Filed: **May 24, 2010**

(51) **LOC (9) Cl.** **08-07**

(52) **U.S. Cl.** **D8/343; D8/330; D15/28**

(58) **Field of Classification Search** D15/28;
D8/343, 330, 331, 339; 403/220, 154, 156;
37/446, 455, 456, 459; 70/14, 51, 52, 57,
70/262, 431; 299/102; 172/713

See application file for complete search history.

(56) **References Cited**

U.S. PATENT DOCUMENTS

3,526,435	A *	9/1970	Krekeler	299/109
5,074,062	A *	12/1991	Hahn et al.	37/456
5,617,655	A *	4/1997	Lauder et al.	37/457
5,937,550	A *	8/1999	Emrich	37/458
5,992,063	A *	11/1999	Mack	37/450
6,439,796	B1 *	8/2002	Ruvang et al.	403/157
6,735,890	B2 *	5/2004	Carpenter et al.	37/456
6,757,995	B2 *	7/2004	Pippins	37/468
7,162,818	B2 *	1/2007	Ruvang et al.	37/456
7,313,877	B2 *	1/2008	Clendenning et al.	37/456
D581,248	S *	11/2008	Wu et al.	D8/343

7,603,799	B2 *	10/2009	Campomanes	37/456
D614,476	S *	4/2010	Buhse	D8/343
2002/0023375	A1 *	2/2002	Pippins	37/457
2006/0037219	A1 *	2/2006	Robinson et al.	37/456
2006/0236567	A1 *	10/2006	Adamic	37/452
2008/0209772	A1 *	9/2008	Cui	37/456
2009/0205228	A1 *	8/2009	Ruvang	37/456
2010/0162595	A1 *	7/2010	Leslie et al.	37/456
2010/0170119	A1 *	7/2010	Lopez Almendros et al.	..	37/452
2010/0229433	A1 *	9/2010	Leslie et al.	37/456

* cited by examiner

Primary Examiner — Mark A Goodwin

(74) *Attorney, Agent, or Firm* — Wong, Cabello, Lutsch, Rutherford & Brucculeri, L.L.P.

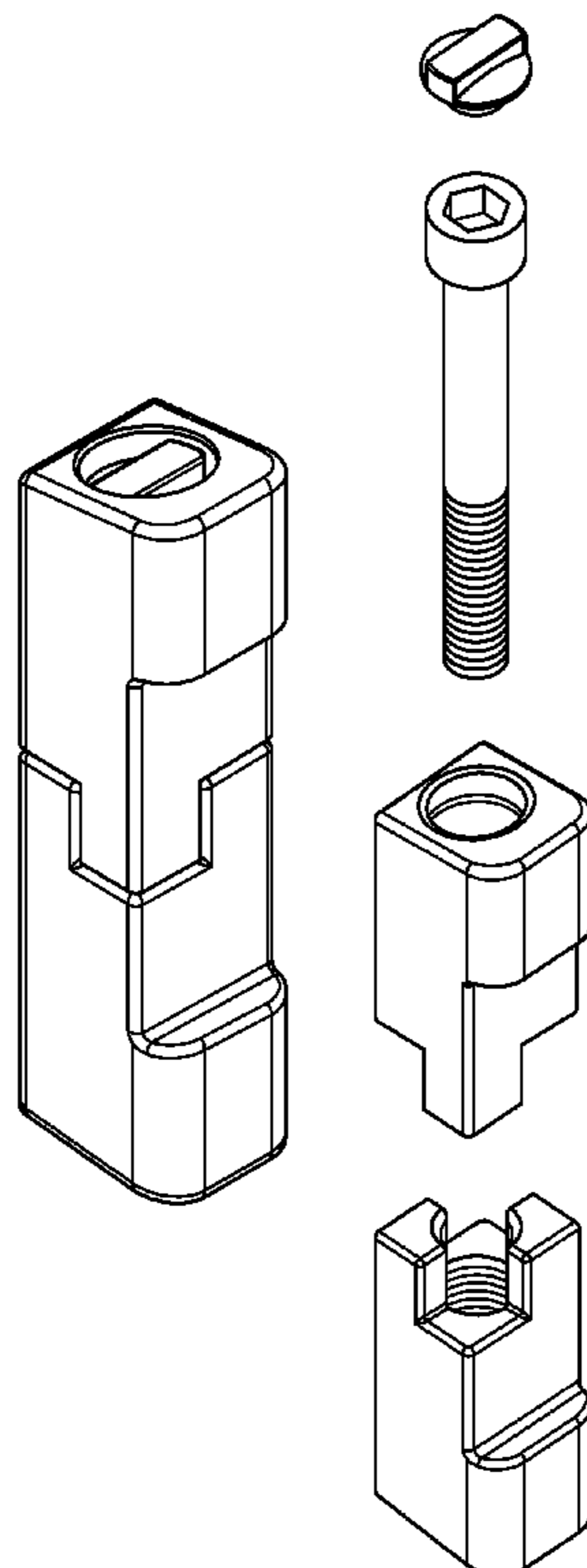
(57) **CLAIM**

The ornamental design for a locking pin assembly for an excavator wear member, as shown and described.

DESCRIPTION

FIG. 1 is a top view of a locking pin assembly for an excavator wear member showing my new design;
 FIG. 2 is a left side view thereof;
 FIG. 3 is a front view thereof;
 FIG. 4 is a right side view thereof;
 FIG. 5 is a rear view thereof;
 FIG. 6 is a bottom view thereof;
 FIG. 7 is a front perspective view thereof;
 FIG. 8 is an exploded left side view thereof;
 FIG. 9 is an exploded front lower perspective view thereof;
 and,
 FIG. 10 is an exploded front upper perspective view thereof.

1 Claim, 3 Drawing Sheets



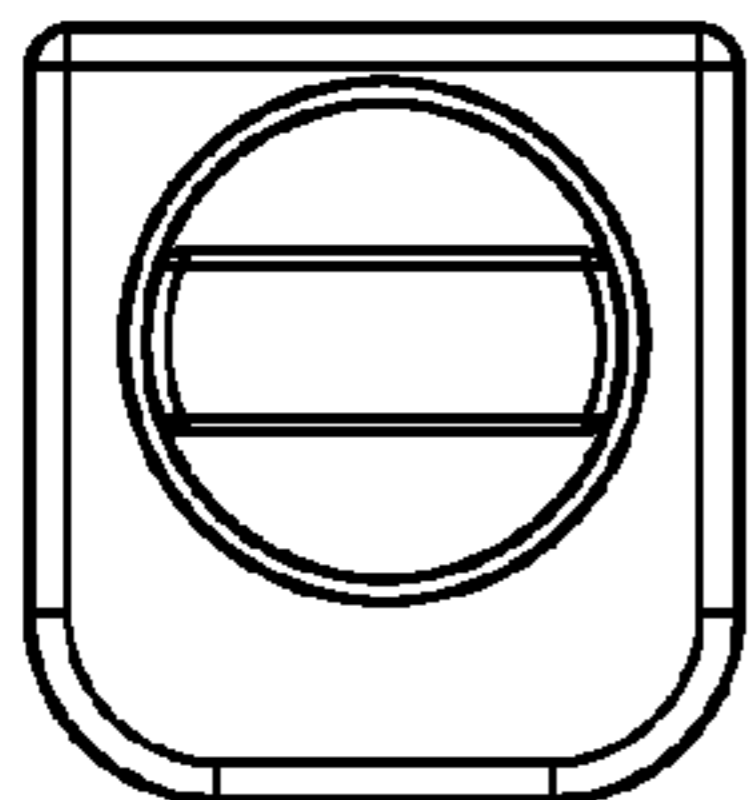


FIG. 1

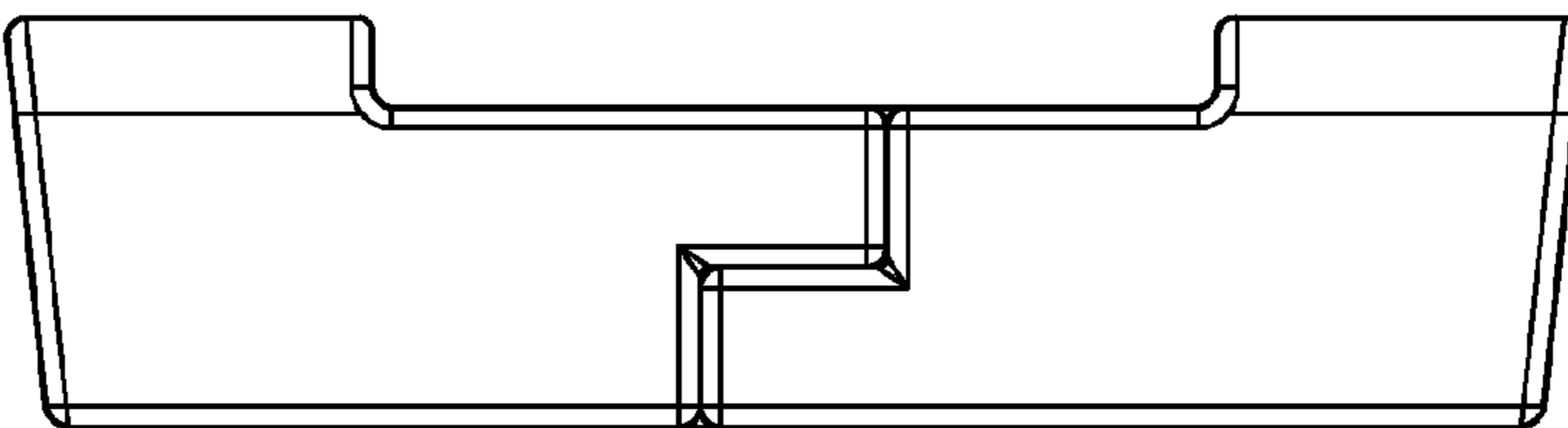


FIG. 2

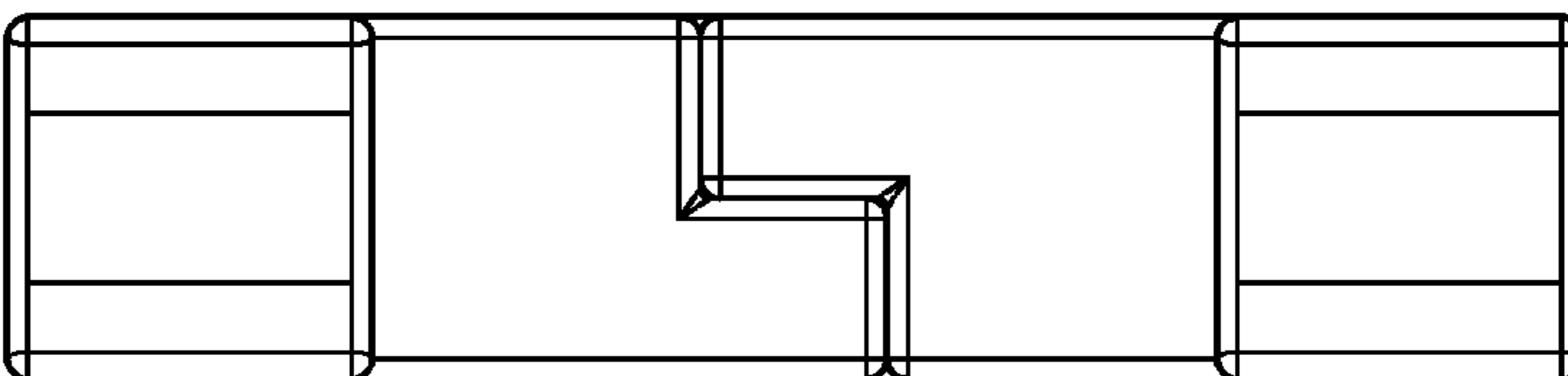


FIG. 3

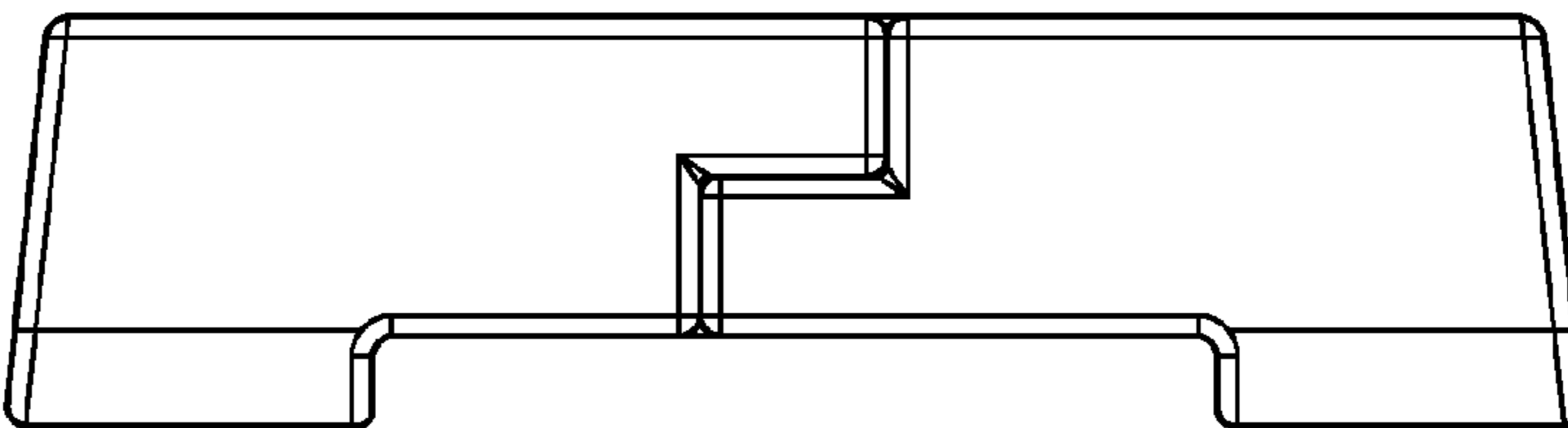


FIG. 4

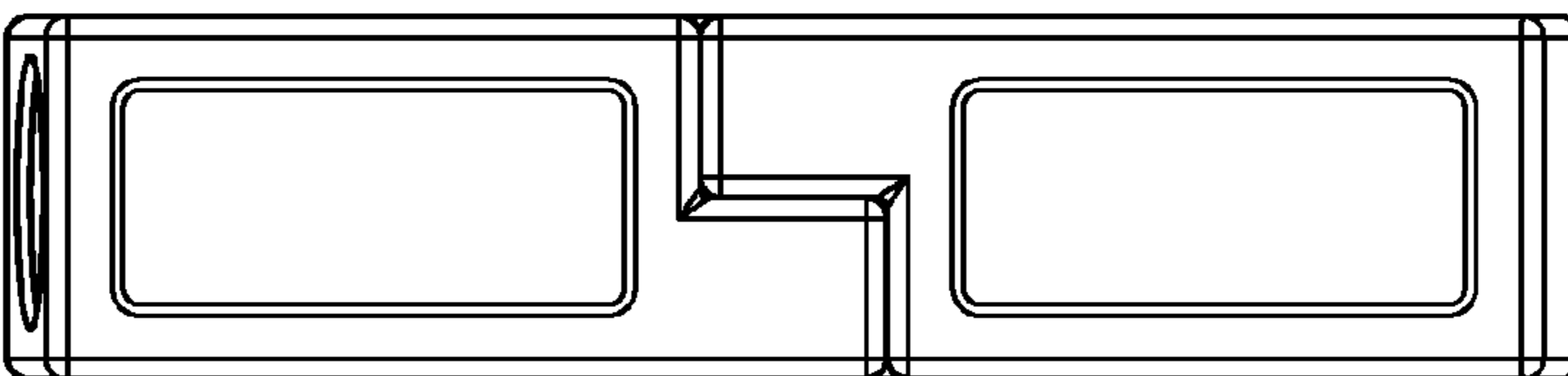


FIG. 5

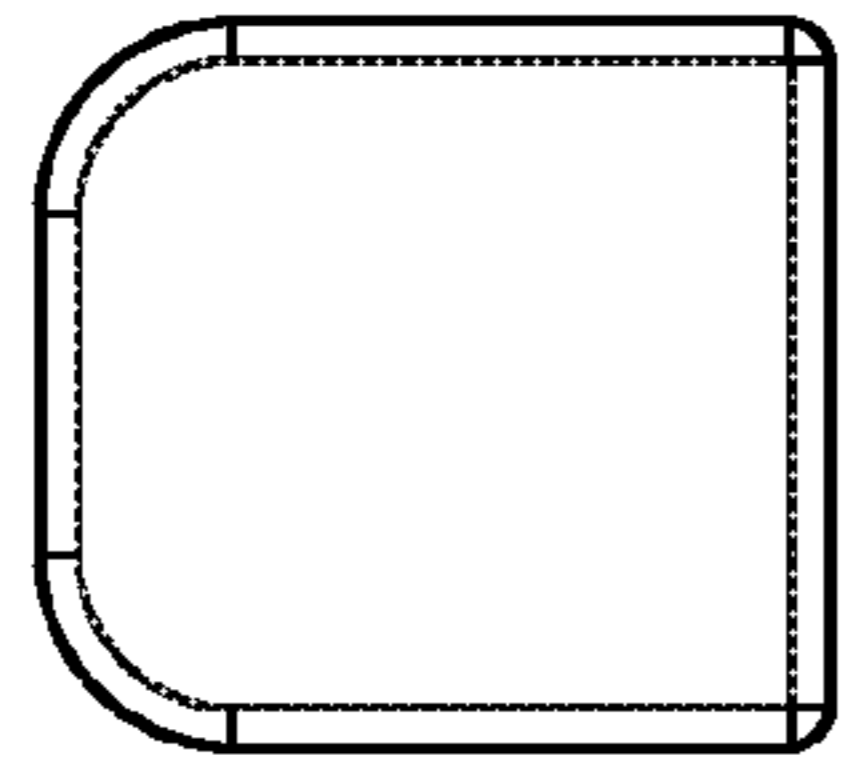


FIG. 6

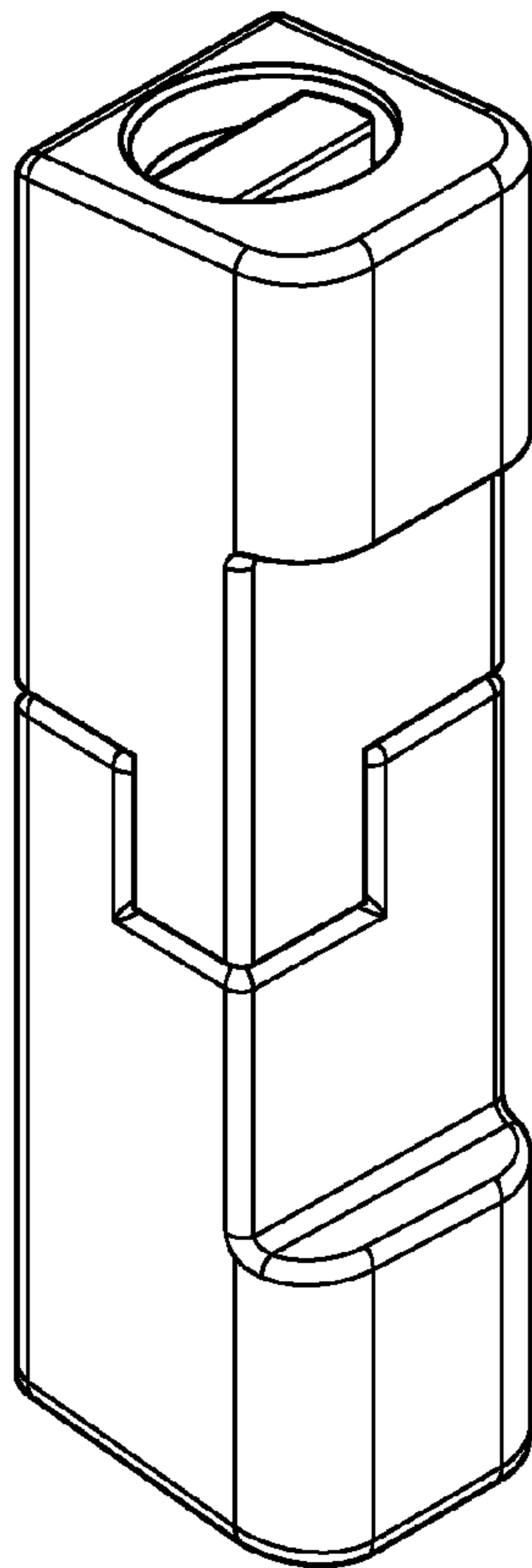


FIG. 7

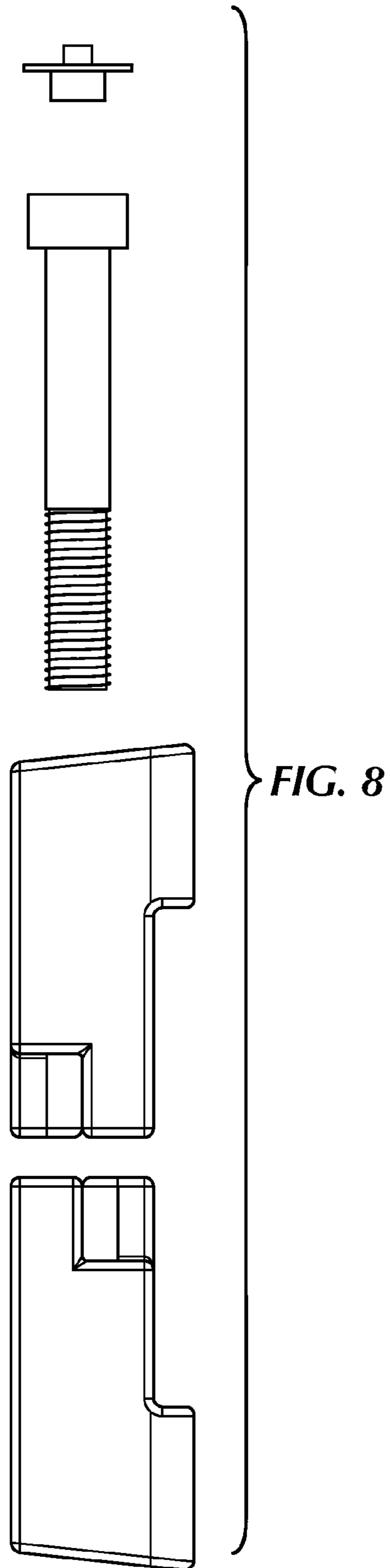


FIG. 8

