



US00D634600S

(12) **United States Design Patent**
Gringer et al.

(10) **Patent No.:** **US D634,600 S**
(45) **Date of Patent:** **** Mar. 22, 2011**

(54) **CAULK TOOL**

(75) Inventors: **Donald Gringer**, New York, NY (US);
Howard Soled, Paramus, NJ (US); **Yuan Fang Cheng**, Forest Hills, NY (US)

(73) Assignee: **Allway Tools, Inc.**, Bronx, NY (US)

(**) Term: **14 Years**

(21) Appl. No.: **29/356,355**

(22) Filed: **Feb. 24, 2010**

(51) **LOC (9) Cl.** **08-03**

(52) **U.S. Cl.** **D8/98; D8/14; D8/45**

(58) **Field of Classification Search** D8/14,
D8/45, 98-99, 104, 107; D32/49; 15/235.7,
15/236.05, 236.07, 236.09; 30/162, 169,
30/279.2

See application file for complete search history.

(56) **References Cited**

U.S. PATENT DOCUMENTS

656,468 A	8/1900	Mullin et al.	
693,518 A	2/1902	Hamilton	
736,741 A	8/1903	Klemm	
952,746 A	3/1910	Lane	
1,068,683 A	7/1913	Malek	
1,463,745 A	7/1923	Layne	
1,584,021 A	5/1928	Melvin	
2,119,045 A	5/1938	Deitrich	
2,286,190 A	6/1942	Abrahamsen	
2,336,284 A	12/1943	Nelson	
2,783,537 A	3/1957	Gringer	
3,162,947 A	12/1964	Gringer	
3,250,000 A	5/1966	Schumman	
3,667,122 A	6/1972	Black	
3,688,401 A	9/1972	Hartman	
3,892,039 A *	7/1975	Fisher	30/279.2
D240,699 S	7/1976	Gerson	
D267,826 S	2/1983	Gringer	
D274,952 S	7/1984	Gringer	

D274,953 S	7/1984	Gringer	
4,558,517 A	12/1985	Gringer	
D282,881 S	3/1986	Gringer	
D314,696 S *	2/1991	Lucarelli	D8/45
5,056,226 A	10/1991	Gringer	
D326,546 S	5/1992	Gringer	
D332,901 S *	2/1993	Campbell	D8/45

(Continued)

FOREIGN PATENT DOCUMENTS

WO 00/06347 2/2000

OTHER PUBLICATIONS

Allway Tools, Soft Grip Tools for Hard Hat Jobs, 2008.

(Continued)

Primary Examiner — Philip S Hyder

Assistant Examiner — Roselynn Cody

(74) *Attorney, Agent, or Firm* — Gottlieb, Rackman & Reisman, P.C.

(57) **CLAIM**

The ornamental design for a caulk tool, as shown and described.

DESCRIPTION

FIG. 1 is a top, left and rear perspective view of a caulk tool showing my new design;

FIG. 2 is a left side elevational view thereof;

FIG. 3 is a top plan view thereof;

FIG. 4 is a rear elevational view thereof thereof;

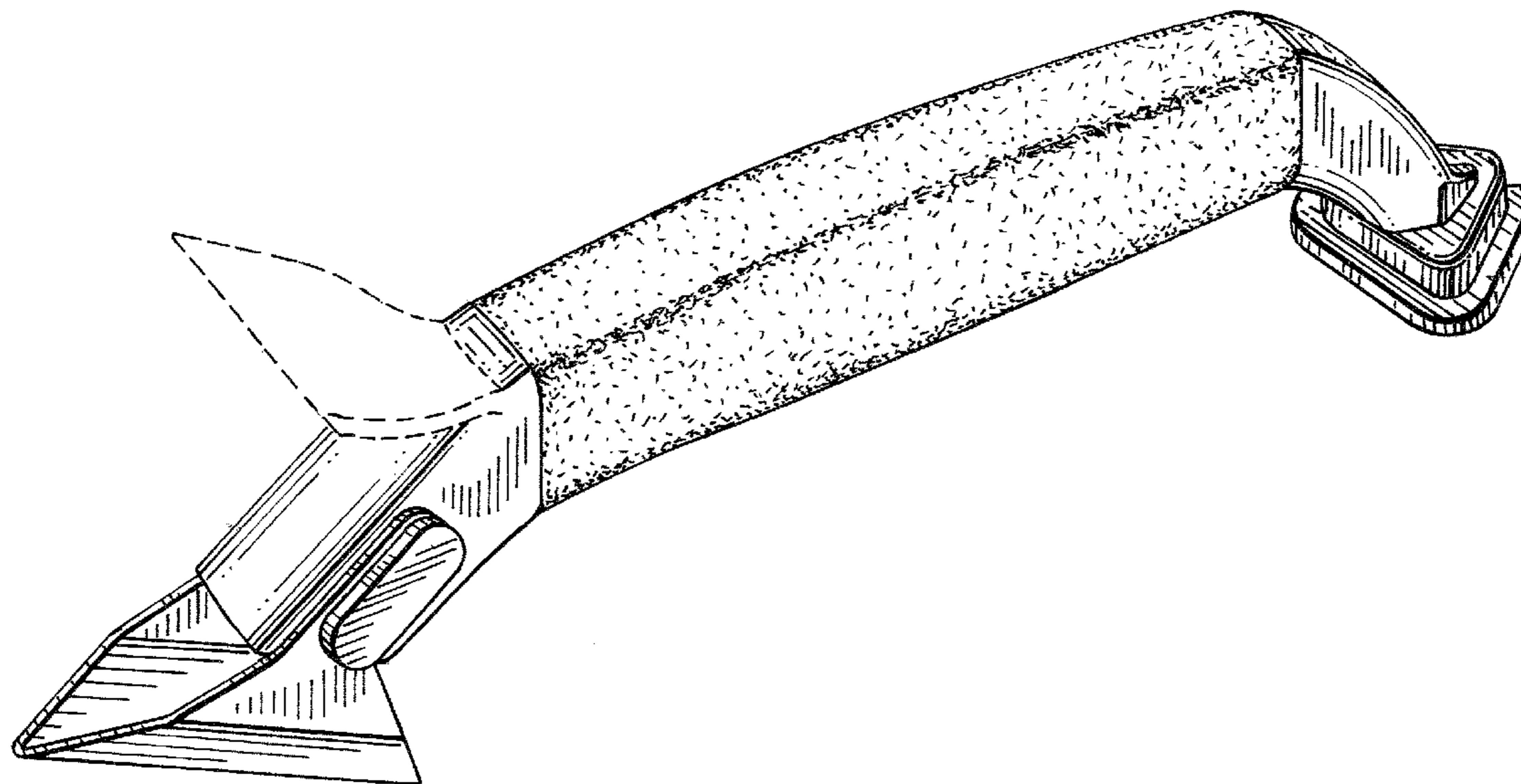
FIG. 5 is a right side elevational view thereof;

FIG. 6 is a front elevational view thereof; and,

FIG. 7 is a bottom plan view thereof.

The broken line showing of environment in FIGS. 1-7 is for illustrative purposes only and forms no part of the claimed design.

1 Claim, 3 Drawing Sheets



US D634,600 S

Page 2

U.S. PATENT DOCUMENTS

D346,319 S	4/1994	Lavalle et al.	
RE34,979 E	6/1995	Gringer	
5,433,004 A	7/1995	Thompson et al.	
D364,252 S	11/1995	Henke	
5,528,832 A	6/1996	Schmidt	
D420,882 S *	2/2000	Majolo et al.	D8/98
6,035,536 A	3/2000	Dewberry	
D437,764 S *	2/2001	Zimmerman	D8/98
D439,128 S *	3/2001	Wass	D8/98
6,219,878 B1	4/2001	Dewberry	
D453,251 S	1/2002	Gringer et al.	
D463,639 S	9/2002	Panfili et al.	
D467,395 S	12/2002	McCool	
D468,989 S	1/2003	Gringer et al.	
6,530,098 B1	3/2003	Gringer et al.	
6,568,087 B1	5/2003	Gringer	
6,578,229 B1 *	6/2003	Dziallas et al.	15/236.05
D479,374 S	9/2003	Gringer et al.	
D479,375 S	9/2003	Gringer et al.	
D480,288 S *	10/2003	DeLillo	D8/98
D489,851 S	5/2004	Jones et al.	
6,732,395 B2	5/2004	Gringer	
6,964,100 B1	11/2005	Misland et al.	
D516,263 S	2/2006	Gringer et al.	
D537,591 S	2/2007	Gringer et al.	
D549,543 S *	8/2007	Tsai	D8/107
D584,871 S *	1/2009	Arvinte et al.	D32/49
D605,911 S *	12/2009	Lian et al.	D8/14
D606,375 S *	12/2009	Divita	D8/45
7,694,422 B2 *	4/2010	Vaes	30/162
D622,114 S *	8/2010	Balliet	D8/16
2003/0110570 A1	6/2003	Gringer	
2003/0110641 A1	6/2003	Gringer	
2006/0080843 A1	4/2006	Gringer et al.	
2006/0162106 A1 *	7/2006	Ross	15/111
2010/0162509 A1 *	7/2010	Liao	15/235.7
2010/0162573 A1 *	7/2010	Liao	30/169

OTHER PUBLICATIONS

Tile Installation Tools, Ace Industrial, (Ningbo) Co., Ltd, 2005.
Stanley Hand Tools, www.stanleytools.com., 2002-2005.

* cited by examiner

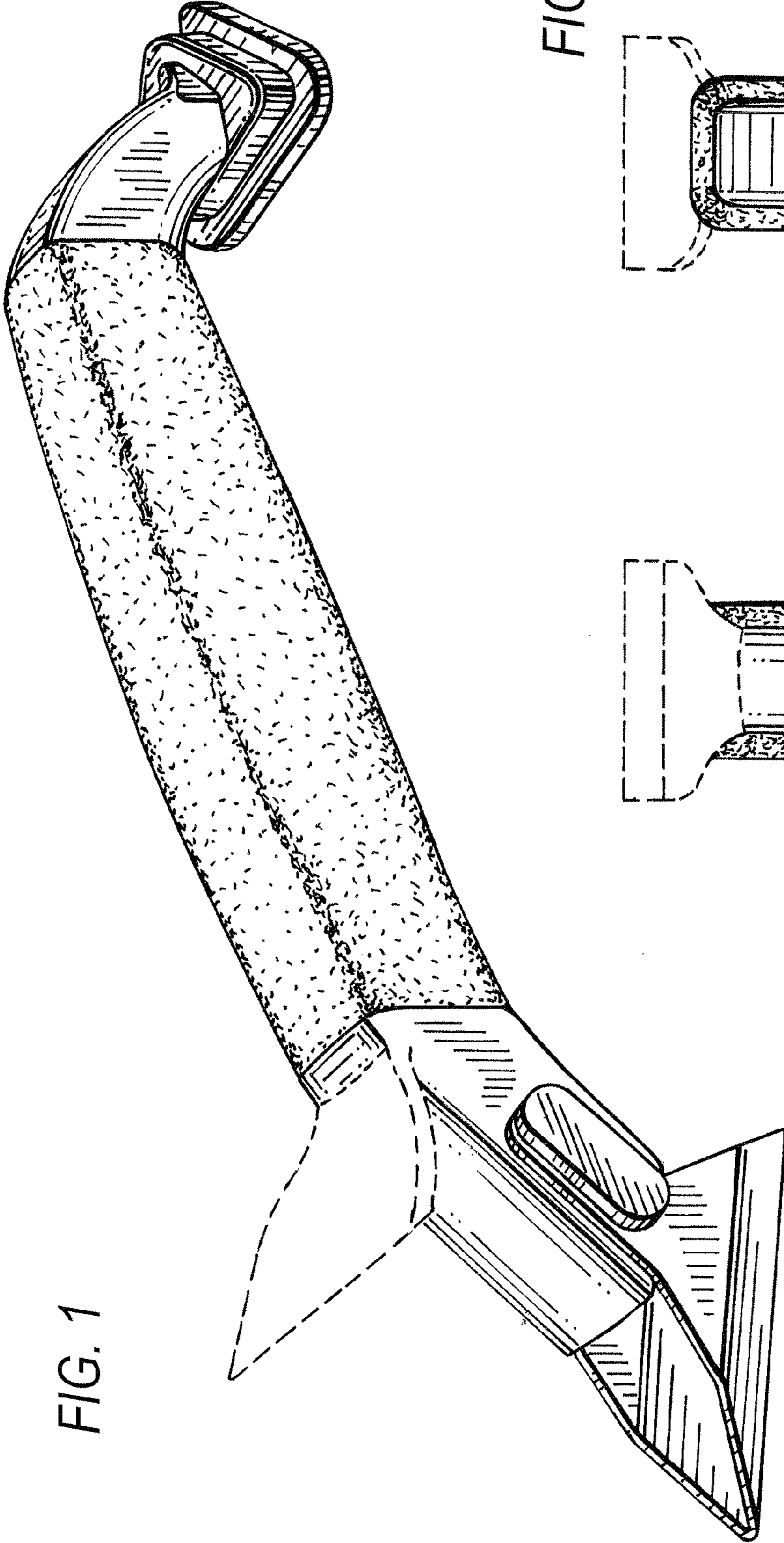


FIG. 1

FIG. 6

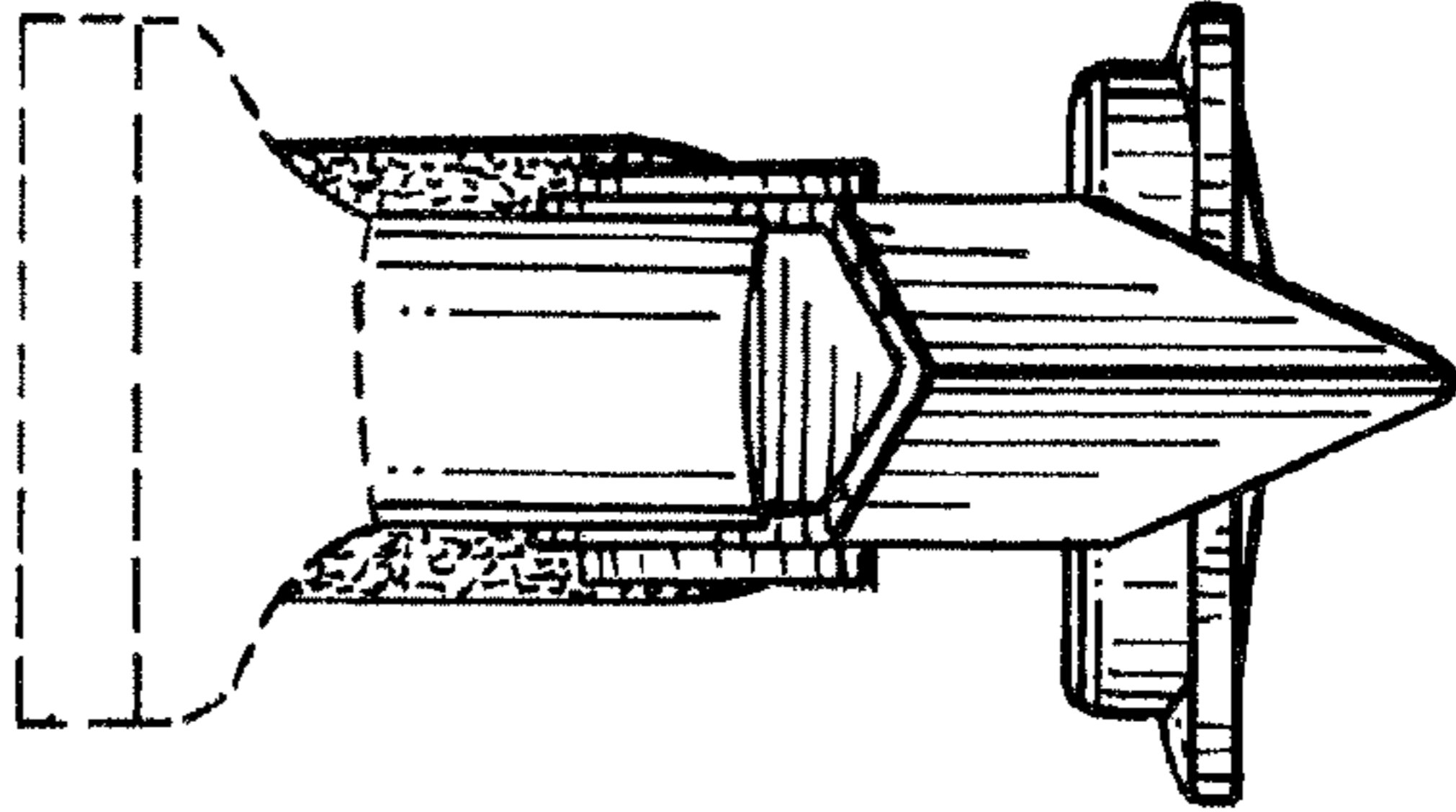
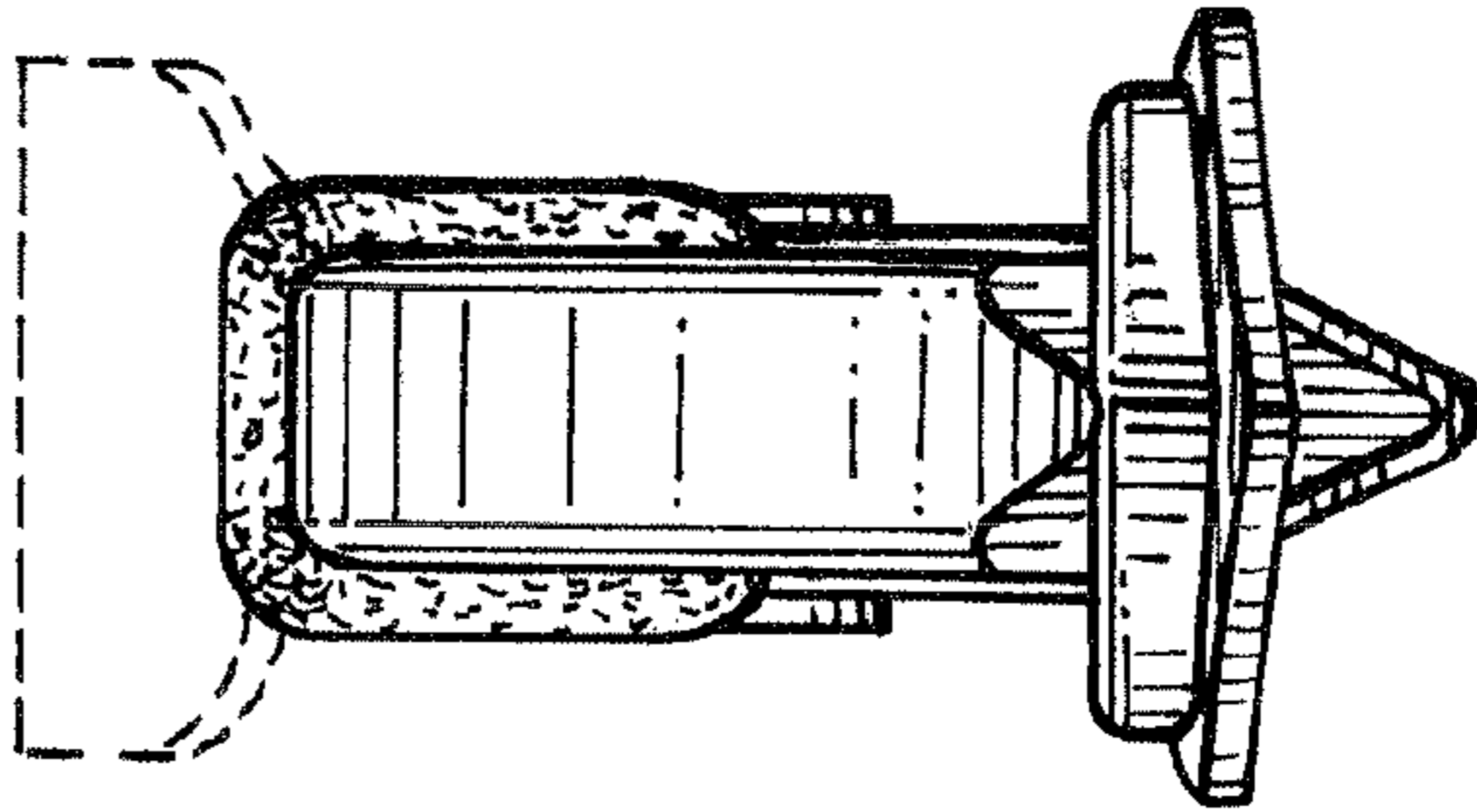


FIG. 4

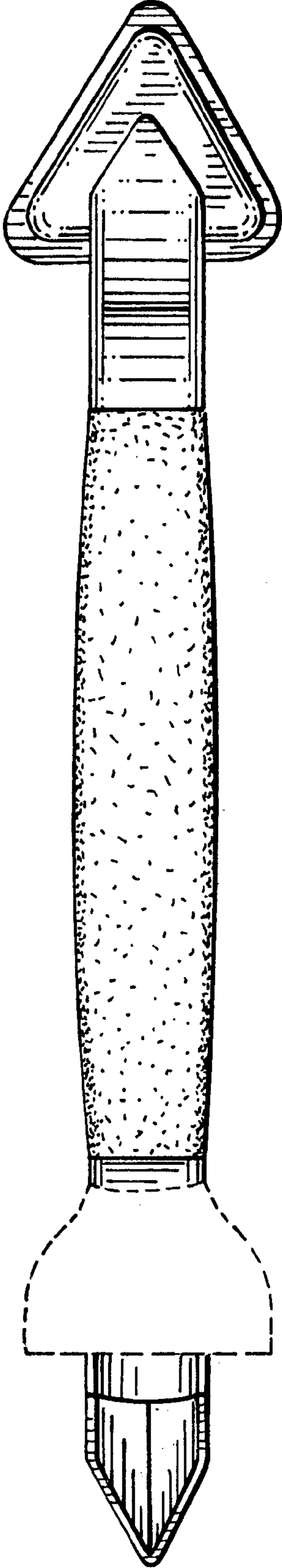
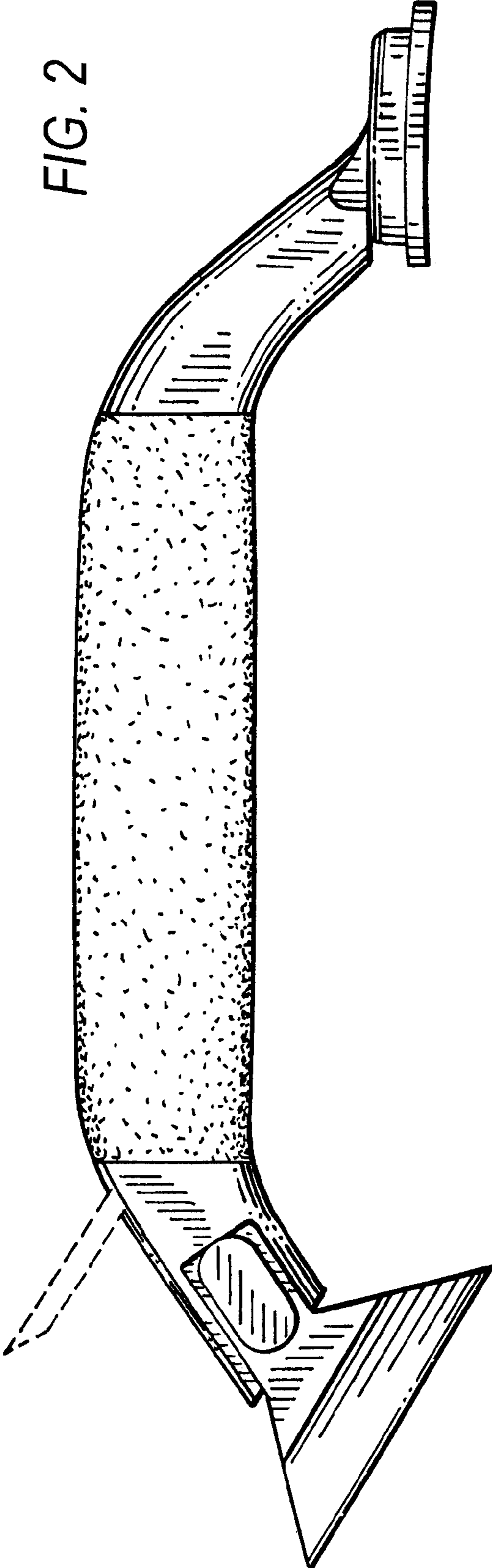


FIG. 2

FIG. 3

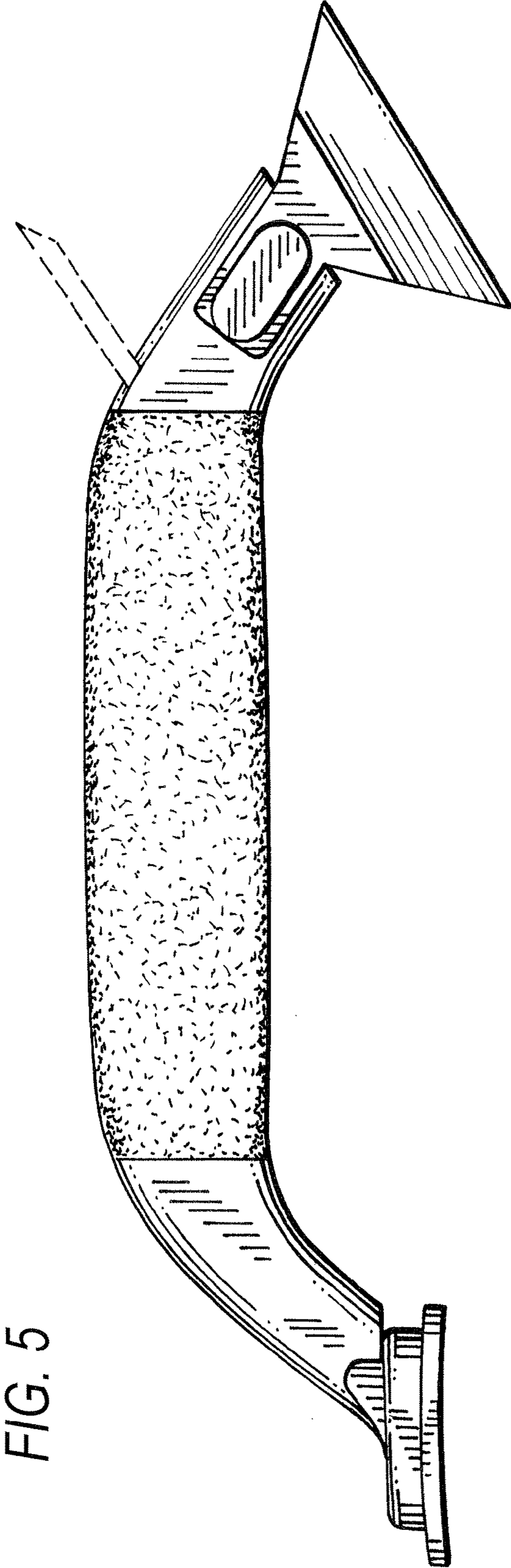


FIG. 5

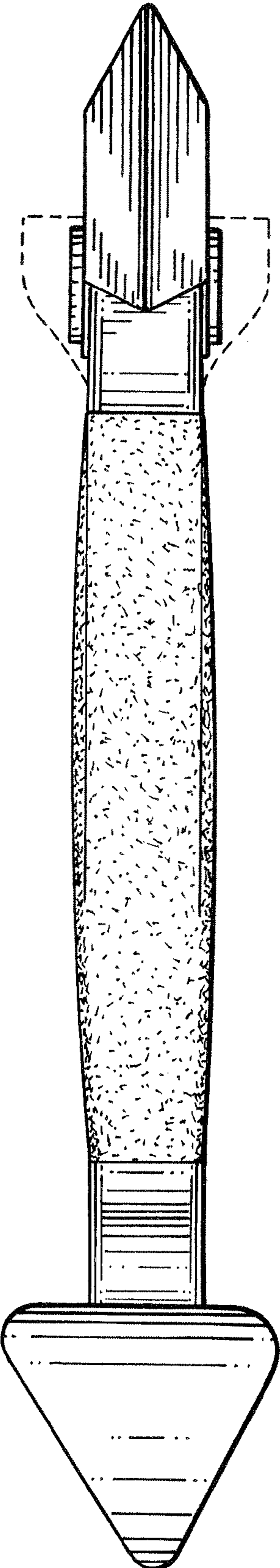


FIG. 7