

US00D634597S

(12) **United States Design Patent**
Mah et al.

(10) **Patent No.:** **US D634,597 S**

(45) **Date of Patent:** **** Mar. 22, 2011**

(54) **CAN OPENER**

(75) Inventors: **Pat Y. Mah**, Kowloon (CN); **Alexander Joshef Kalogrulis**, Surrey (GB); **Kwong Keung Tung**, Kowloon (CN); **Michael Ng**, Adelaide (AU)

(73) Assignee: **Daka Research Inc.**, Tortolla (VG)

(**) Term: **14 Years**

(21) Appl. No.: **29/370,752**

(22) Filed: **Aug. 30, 2010**

(51) **LOC (9) Cl.** **79-99**

(52) **U.S. Cl.** **D8/41**

(58) **Field of Classification Search** D8/14,
D8/16-20, 33-43, 88, 89, 105; 7/113, 151-156;
30/400-410, 416-430, 433, 434, 443, 450;
81/3.07, 3.09, 3.2, 3.27, 3.29, 3.31, 3.35,
81/3.37, 3.4, 3.45, 3.48, 3.49, 3.55

See application file for complete search history.

(56) **References Cited**

U.S. PATENT DOCUMENTS

D149,754 S *	5/1948	Hudson	D8/37
D173,862 S *	1/1955	Talge	D8/37
D175,557 S *	9/1955	La Forte	D8/37
D289,365 S *	4/1987	Lee	D8/41
D366,197 S *	1/1996	Laib	D8/41
6,249,980 B1 *	6/2001	Edwards	30/419

D562,503 S *	2/2008	Zutis et al.	D30/121
D583,207 S *	12/2008	Eide et al.	D8/41
D624,377 S *	9/2010	Mah et al.	D8/40

* cited by examiner

Primary Examiner — Garth Rademaker

(74) *Attorney, Agent, or Firm* — Curtis L. Harrington; Kathy E. Harrington; Harrington & Harrington

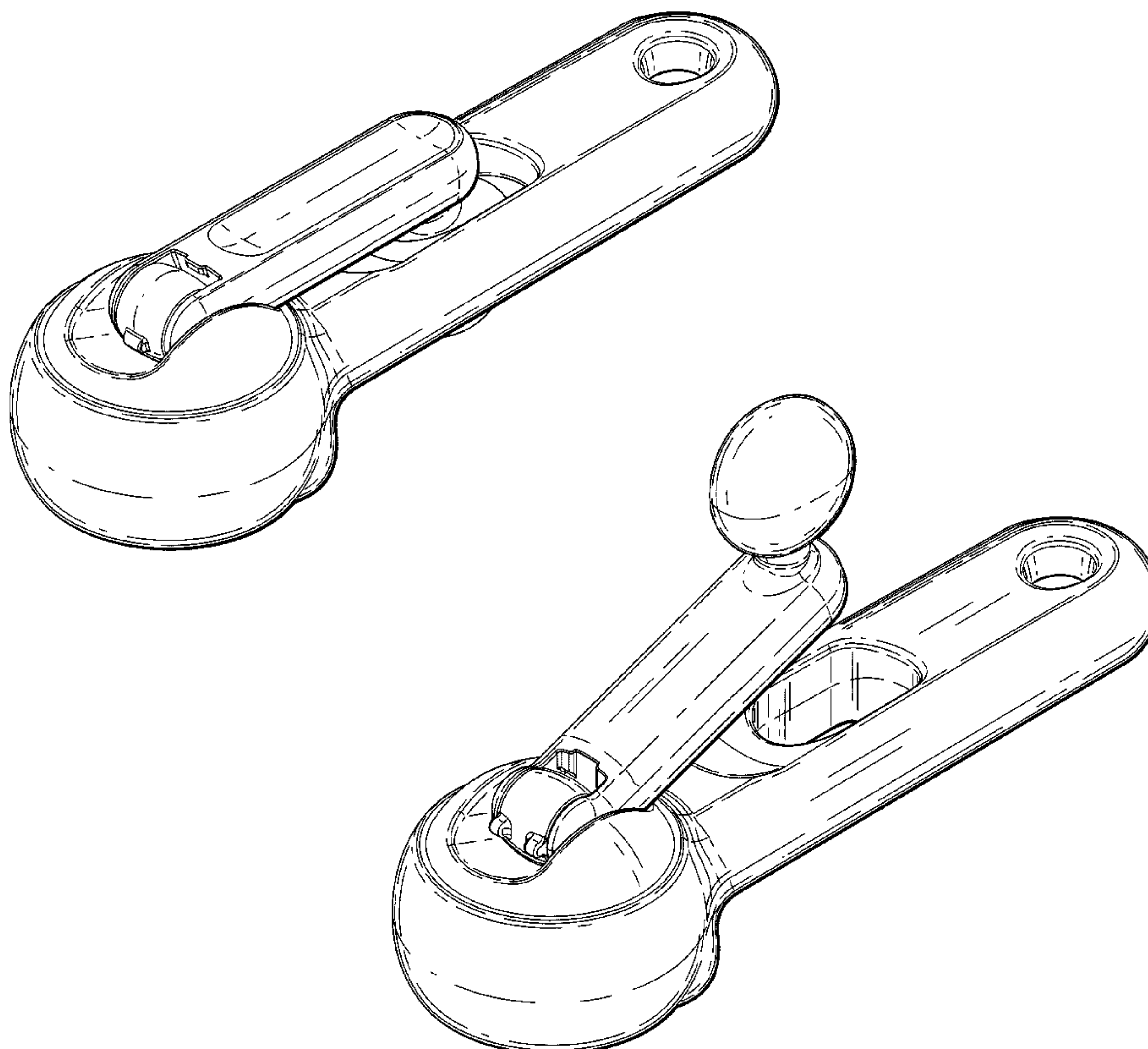
(57) **CLAIM**

The ornamental design for a can opener, as shown and described.

DESCRIPTION

FIG. 1 is a perspective view of a can opener, shown in a folded position;
FIG. 2 is a left side elevation view thereof;
FIG. 3 is a right side elevation view thereof;
FIG. 4 is a front elevation view thereof;
FIG. 5 is a rear elevation view thereof;
FIG. 6 is a top plan view thereof;
FIG. 7 is a bottom plan view thereof;
FIG. 8 is a perspective view thereof, shown in an open position;
FIG. 9 is a left side elevation view thereof;
FIG. 10 is a right side elevation view thereof;
FIG. 11 is a front elevation view thereof;
FIG. 12 is a rear elevation view thereof;
FIG. 13 is a top plan view thereof; and,
FIG. 14 is a bottom plan view thereof.

1 Claim, 9 Drawing Sheets



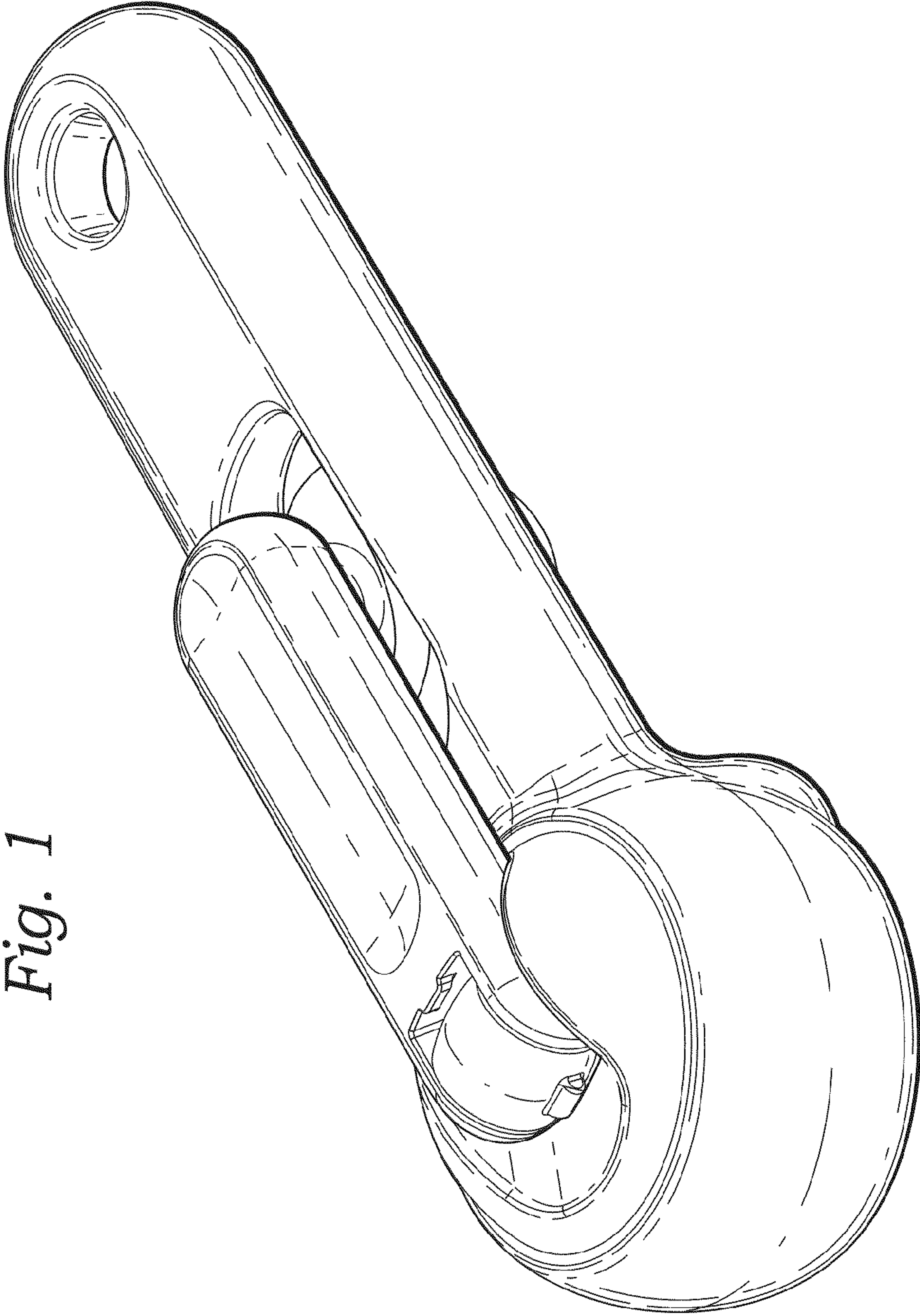


Fig. 1

Fig. 2

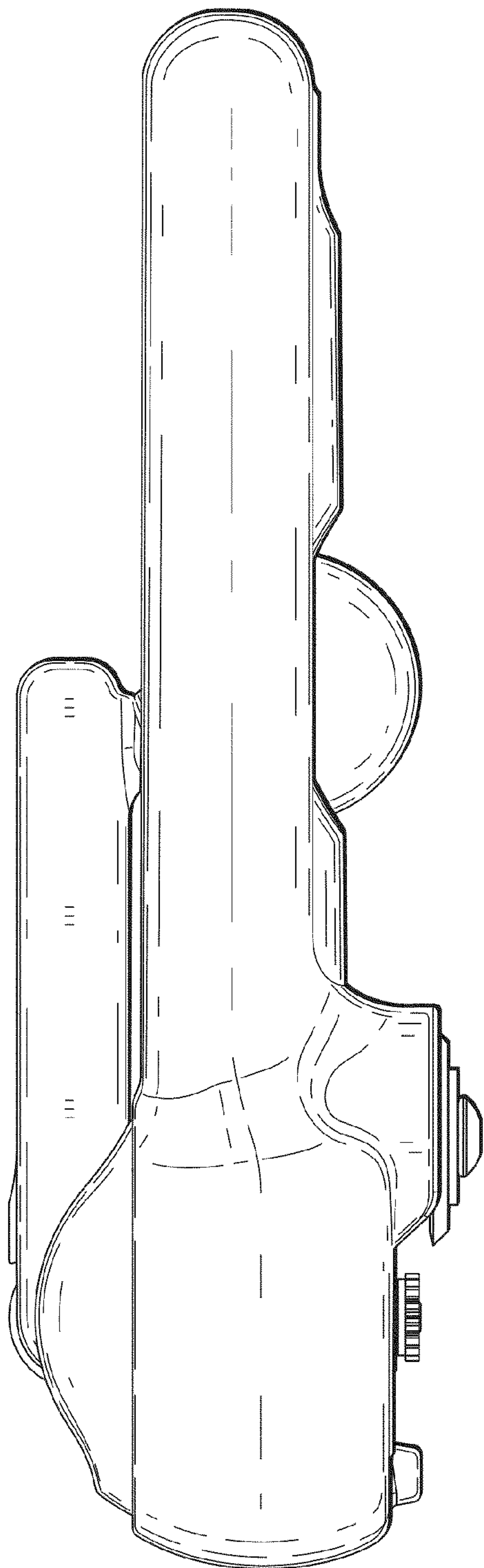


Fig. 3

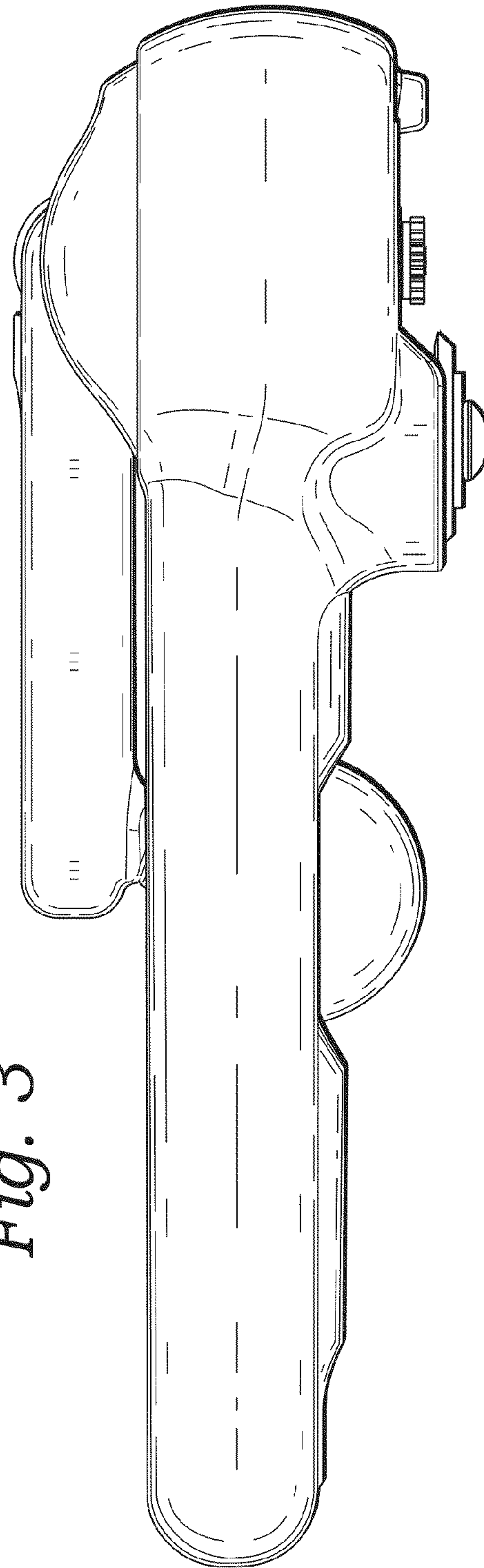


Fig. 5

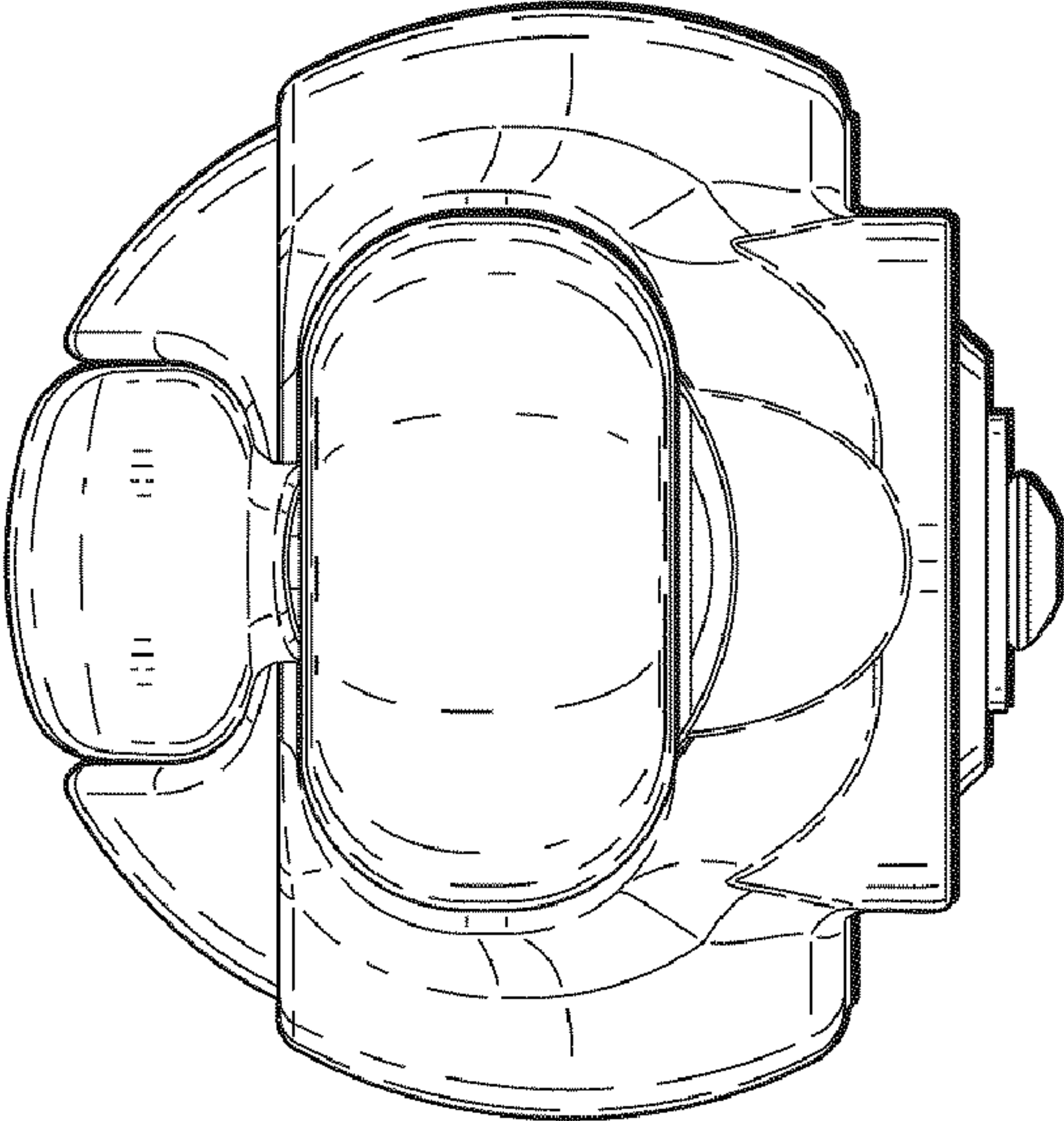


Fig. 4

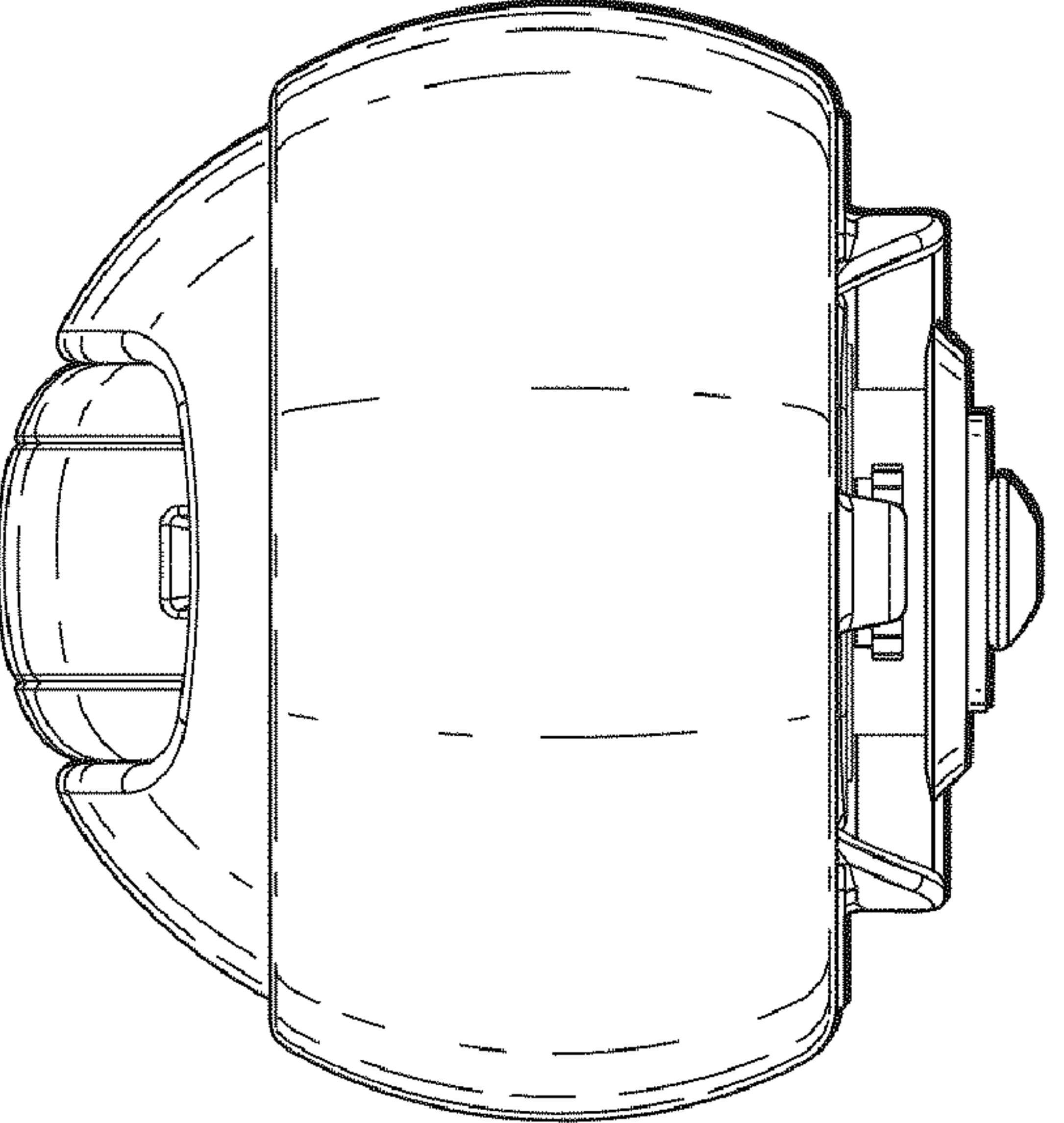


Fig. 6

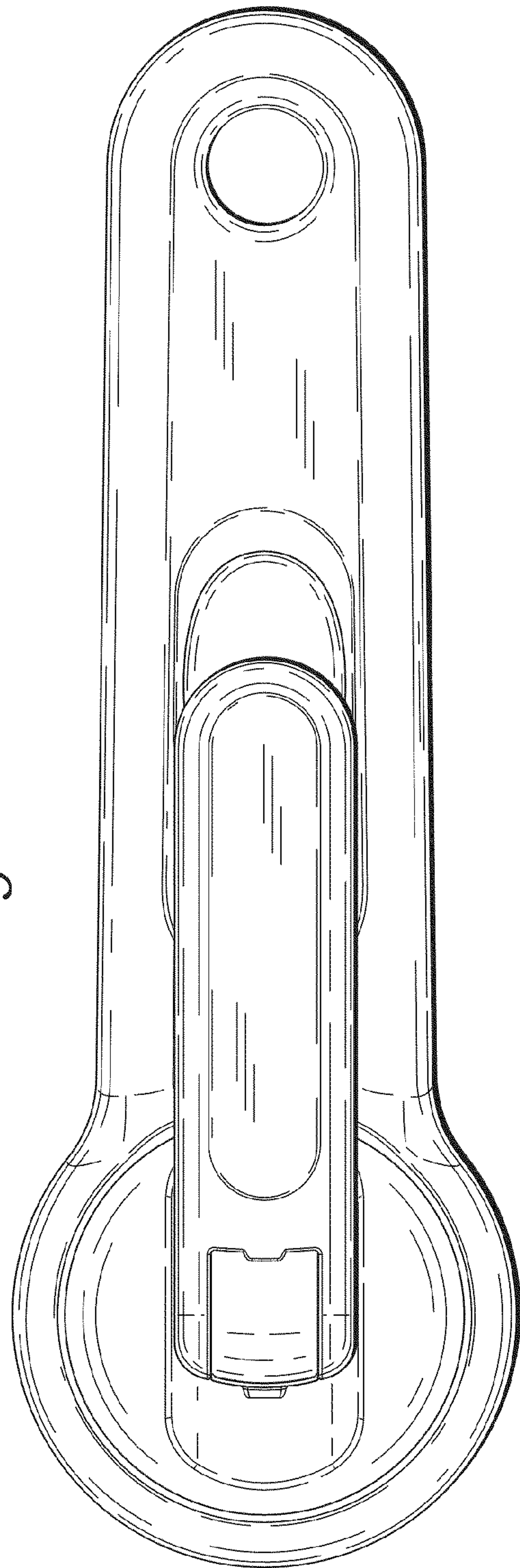
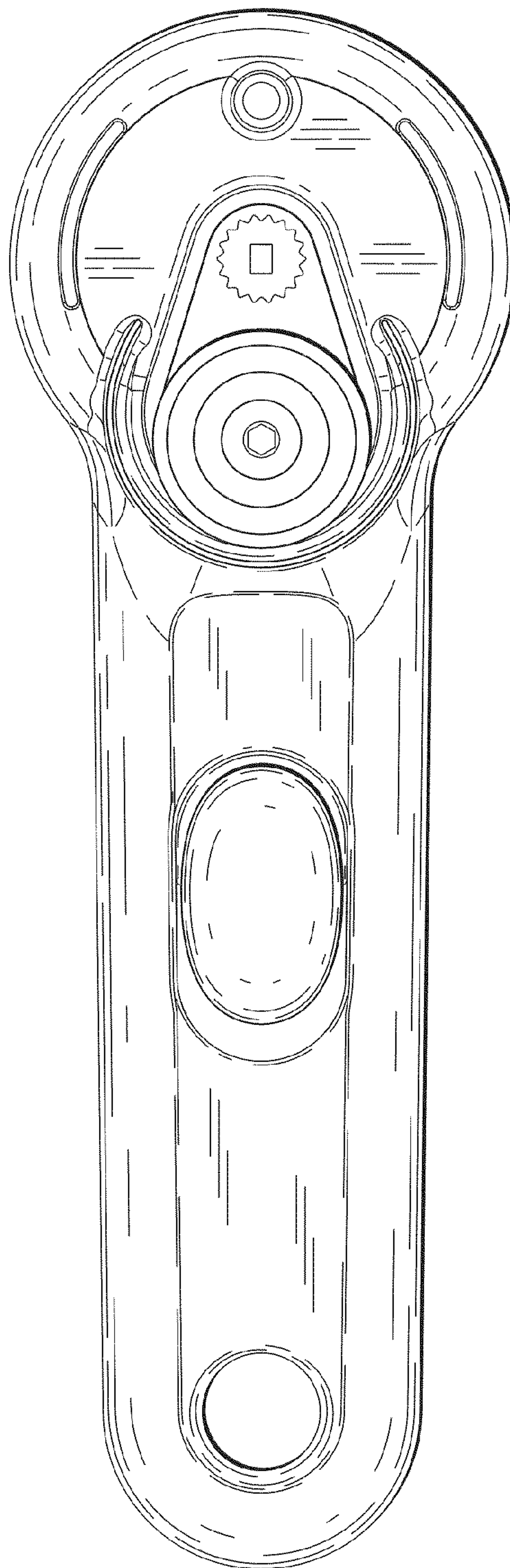


Fig. 7



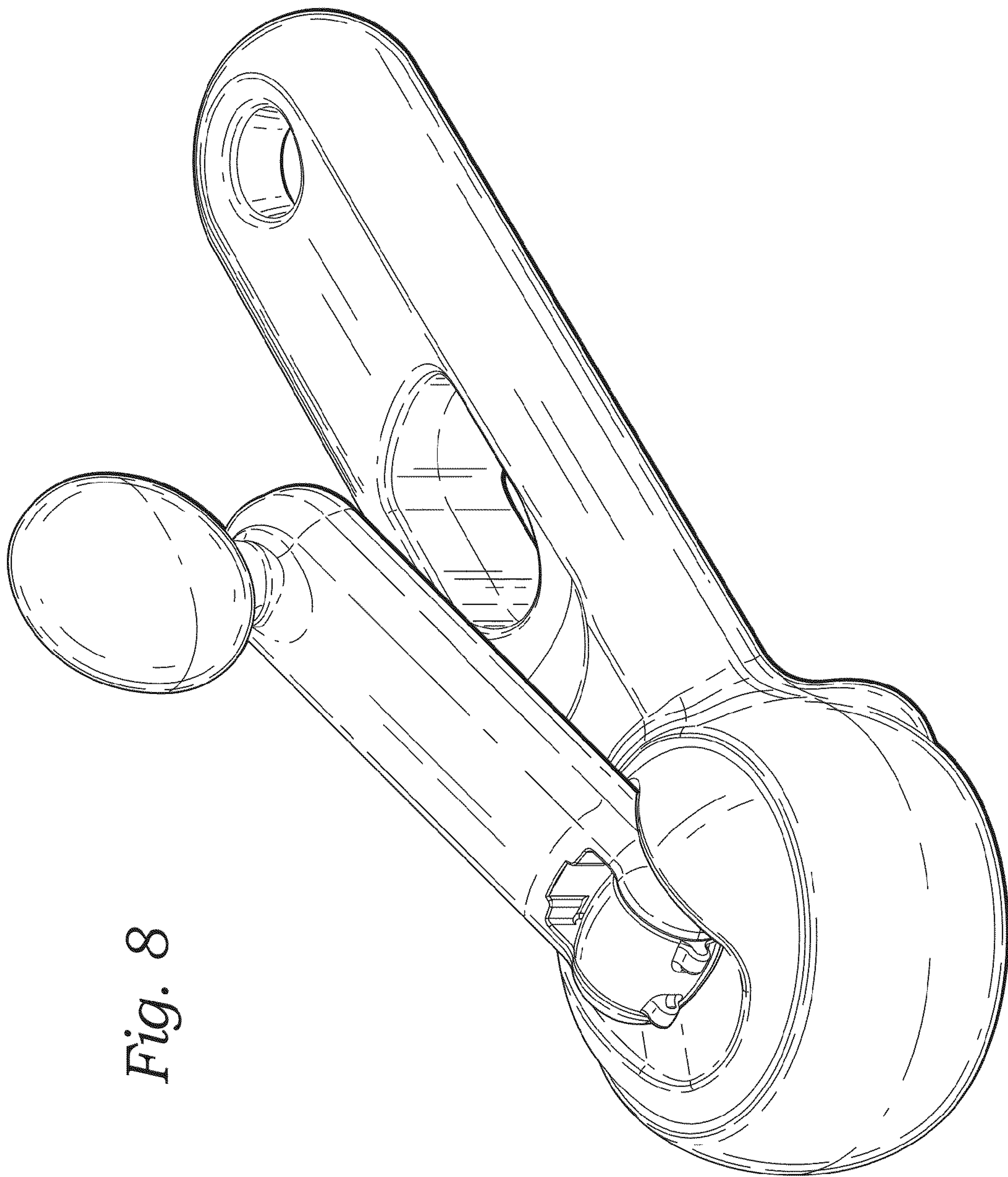


Fig. 8

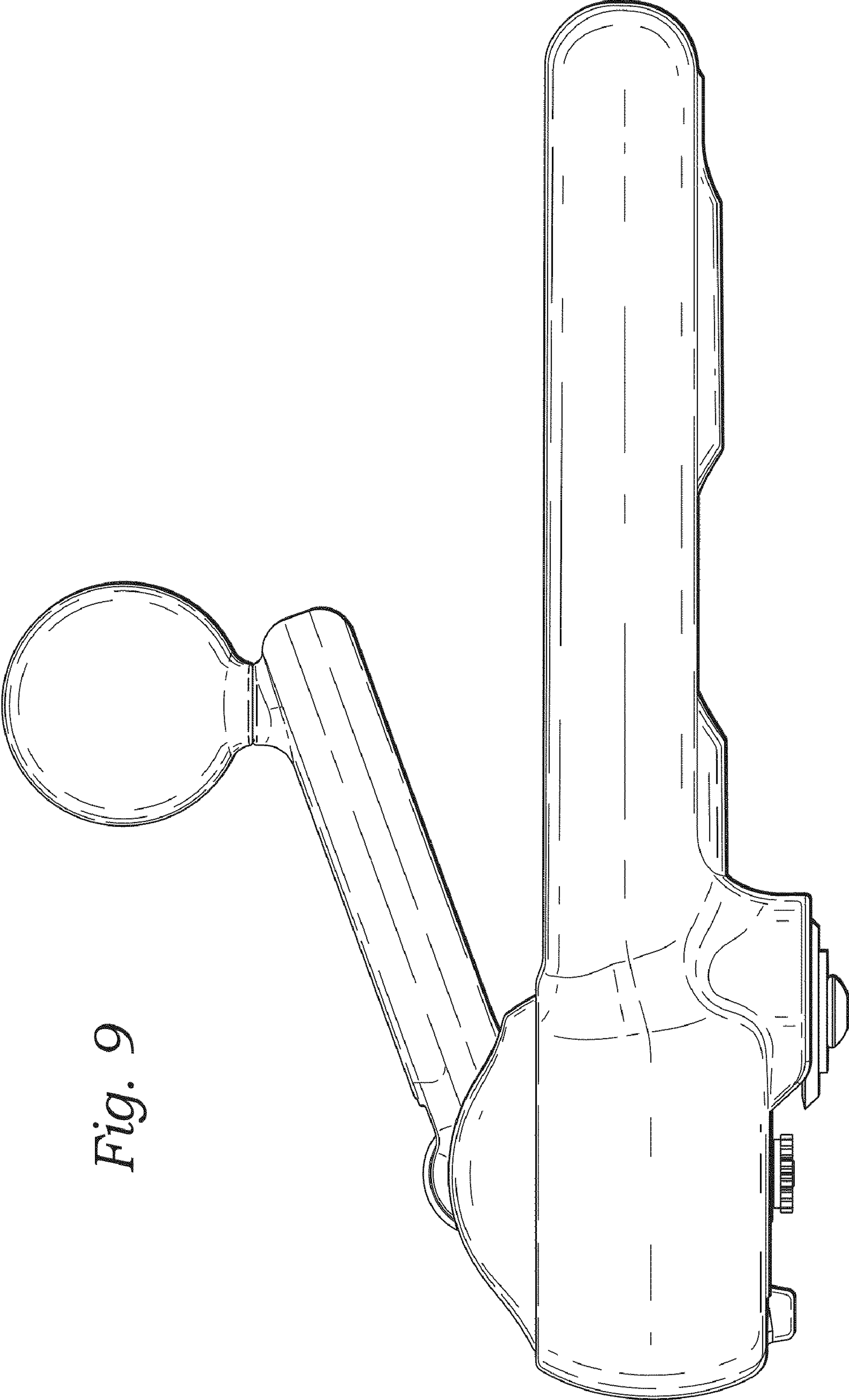


Fig. 9

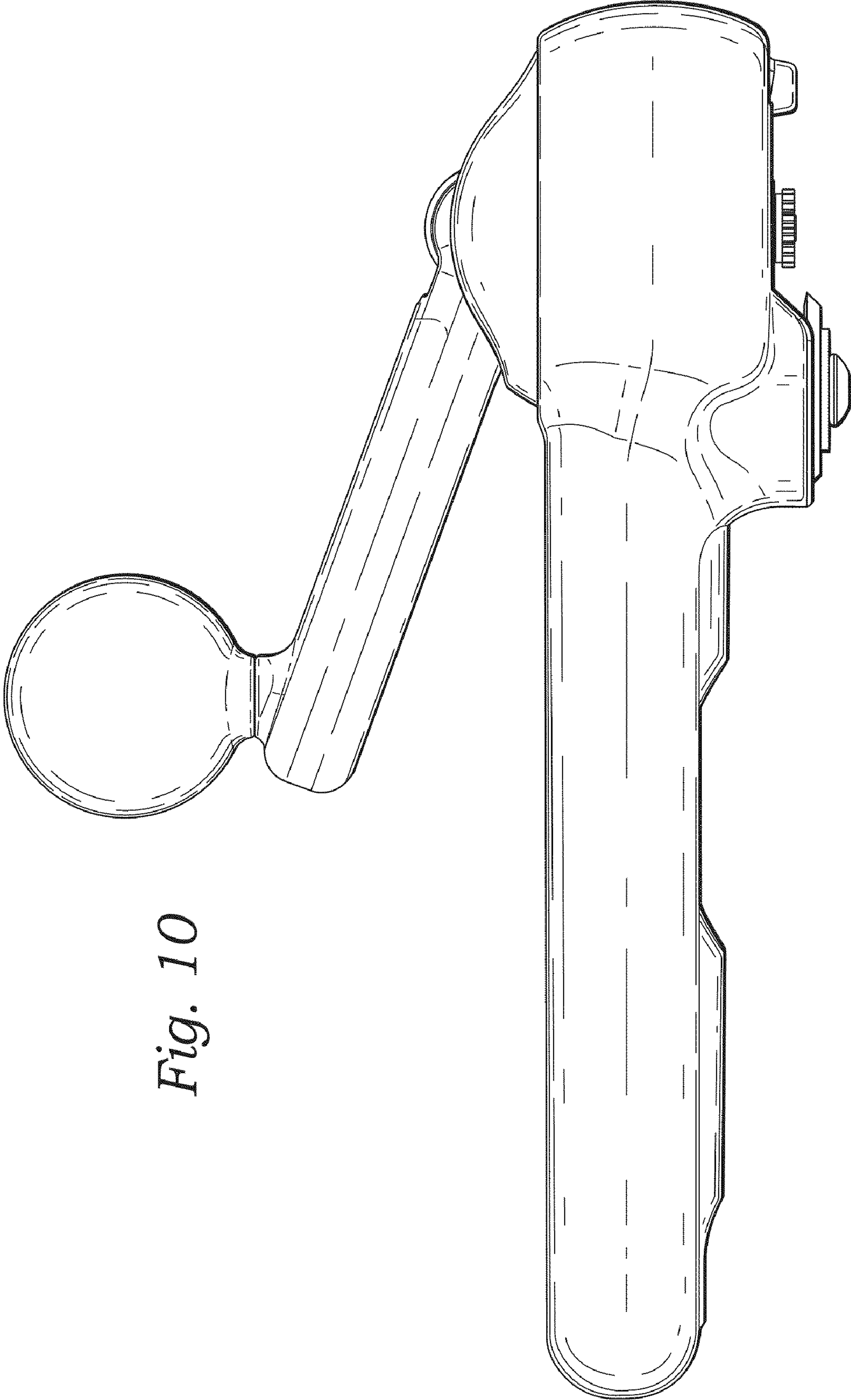


Fig. 10

Fig. 12

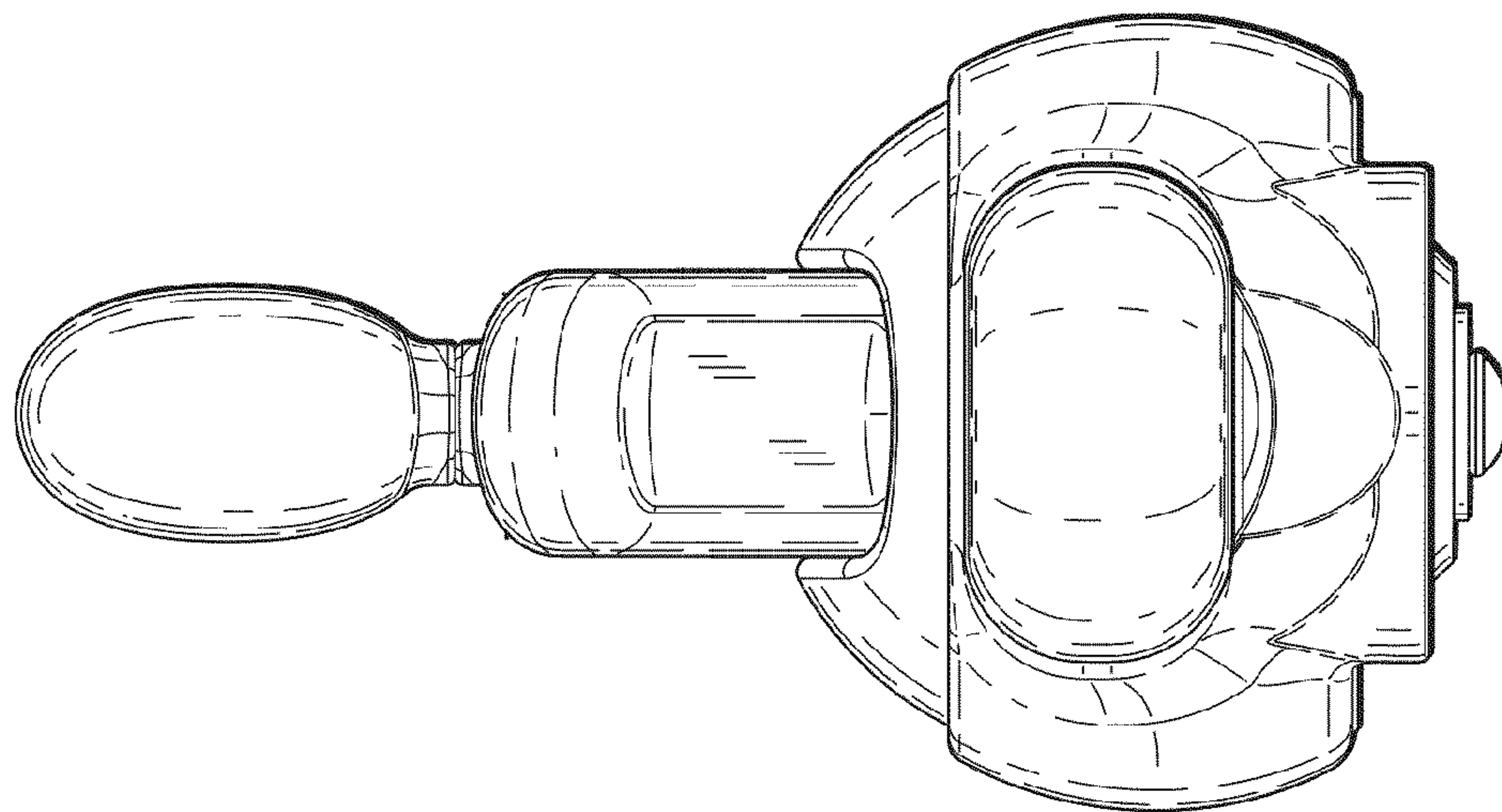


Fig. 11

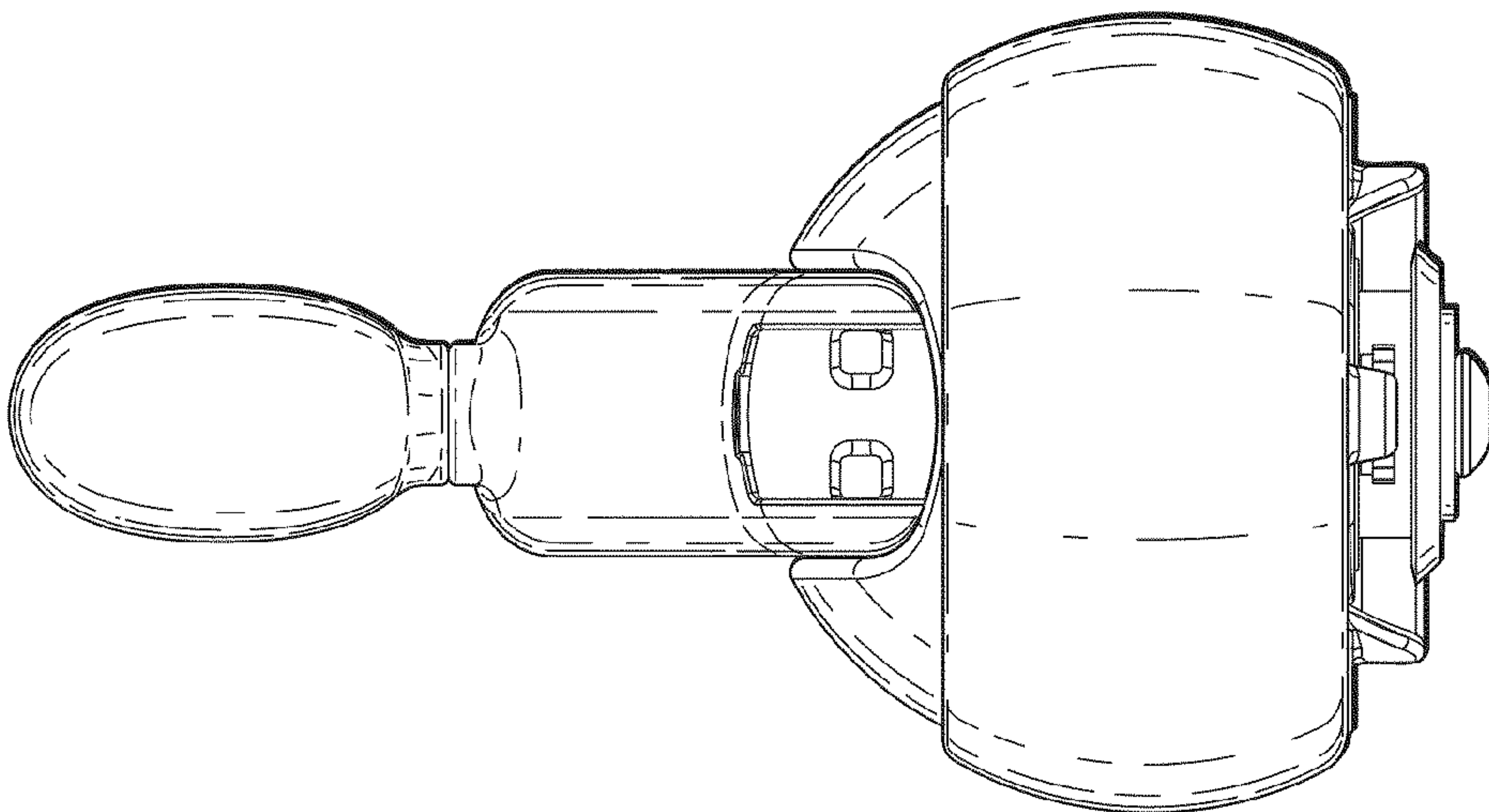


Fig. 13

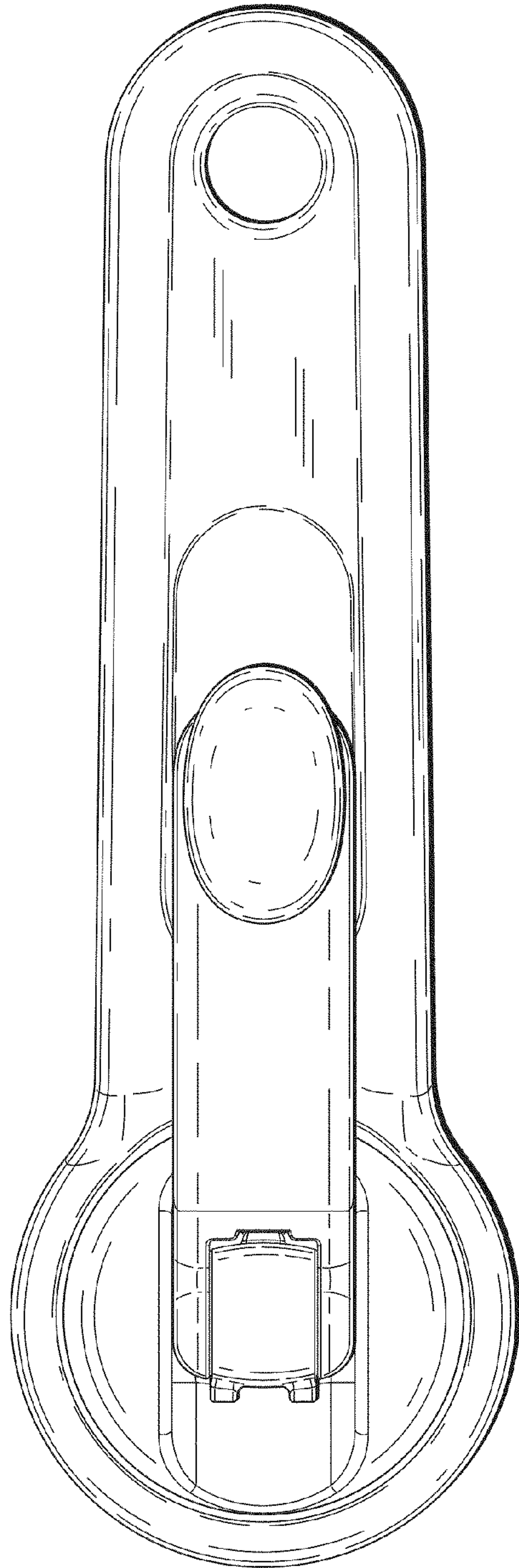


Fig. 14

