



US00D634595S

(12) **United States Design Patent**
Tyson

(10) **Patent No.:** **US D634,595 S**

(45) **Date of Patent:** **** Mar. 22, 2011**

(54) **GAS CAP REMOVAL AND TIGHTENING
DEVICE**

(76) Inventor: **James Lewis Tyson**, Douglasville, GA
(US)

(**) Term: **14 Years**

(21) Appl. No.: **29/337,510**

(22) Filed: **May 22, 2009**

(51) **LOC (9) Cl.** **08-05**

(52) **U.S. Cl.** **D8/14**

(58) **Field of Classification Search** D8/14,
D8/21, 40, 88-89; 7/100; 81/3.08, 3.4, 176.2,
81/124.2

See application file for complete search history.

(56) **References Cited**

U.S. PATENT DOCUMENTS

D53,937 S *	10/1919	Schweinert	D8/14
1,867,372 A *	7/1932	McGuckin	81/124.2
D105,217 S *	7/1937	Kennedy	D8/14
D139,161 S *	10/1944	Plumley	D8/14
D175,721 S *	10/1955	Glenn et al.	D8/21
3,052,970 A *	9/1962	Perrin	29/229
D195,736 S *	7/1963	McManus	D8/29
D237,858 S *	12/1975	Seminario	D8/59
D237,939 S *	12/1975	Seminario	D8/59
4,059,033 A	11/1977	Johnson	
D261,606 S *	11/1981	La Fargo et al.	D8/21
D272,468 S *	1/1984	Bulgarelli et al.	D24/155
4,607,406 A	8/1986	Davis, Jr.	
D294,796 S *	3/1988	Bonbright	D8/51
4,836,065 A	6/1989	Setliff	
5,003,848 A	4/1991	Ceccucci, Jr.	
D335,616 S	5/1993	Schaffer	
D357,617 S *	4/1995	Morrisette	D8/21
D364,789 S *	12/1995	Degyansky	D8/21
D369,286 S	4/1996	Tackman	
D372,650 S *	8/1996	Bundy	D8/14

D374,383 S	10/1996	Malak	
D387,255 S	12/1997	Rhoton	
5,699,701 A	12/1997	Cotten, Jr.	
D392,856 S	3/1998	Shaw et al.	
D400,769 S *	11/1998	Duke D8/21
5,896,785 A	4/1999	Shaw et al.	
D431,441 S *	10/2000	Tarpill D8/98
D432,878 S	10/2000	Gray	
D434,291 S *	11/2000	Kim D8/21
D547,625 S	7/2007	Decuir	
D608,169 S *	1/2010	Johnson D8/21
D612,203 S *	3/2010	Bollin D7/397
2008/0173645 A1 *	7/2008	Burstein et al. 220/200

FOREIGN PATENT DOCUMENTS

CN 201064885 Y 5/2008

* cited by examiner

Primary Examiner — Philip S Hyder

Assistant Examiner — Roselynn Cody

(74) *Attorney, Agent, or Firm* — Woodcock Washburn LLP

(57) **CLAIM**

The ornamental design for a gas cap removal and tightening device, as shown.

DESCRIPTION

FIG. 1 is a top view of the gas cap removal and tightening device.

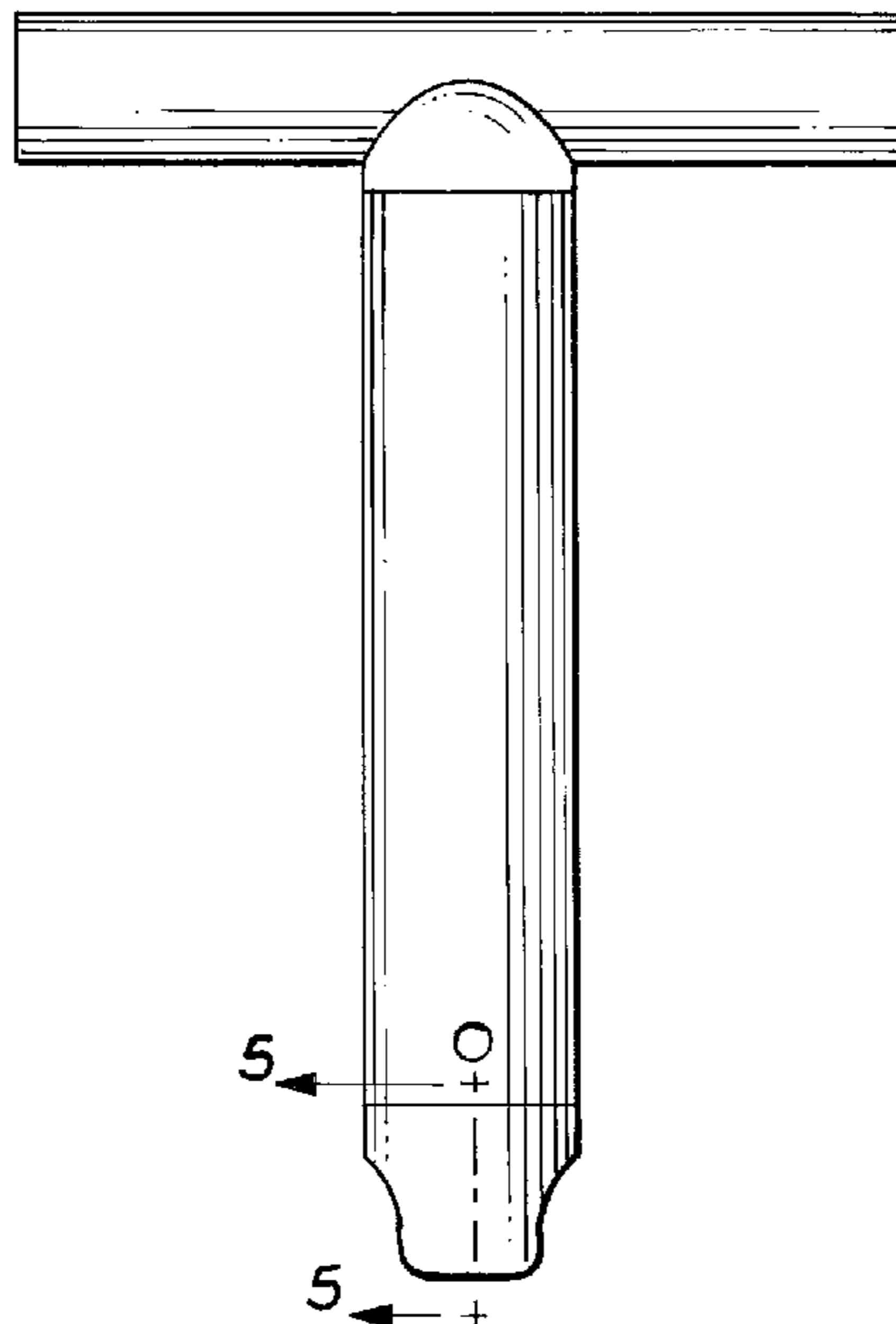
FIG. 2 is a front view of the gas cap removal and tightening device, further showing the location of section 5—5 as set forth more fully in FIG. 5.

FIG. 3 is a side view of the gas cap removal and tightening device.

FIG. 4 is a bottom view of the gas cap removal and tightening device; and,

FIG. 5 is an enlarged sectional view of the bottom portion of the gas cap removal and tightening device, taken at Section 5—5 in FIG. 2.

1 Claim, 1 Drawing Sheet



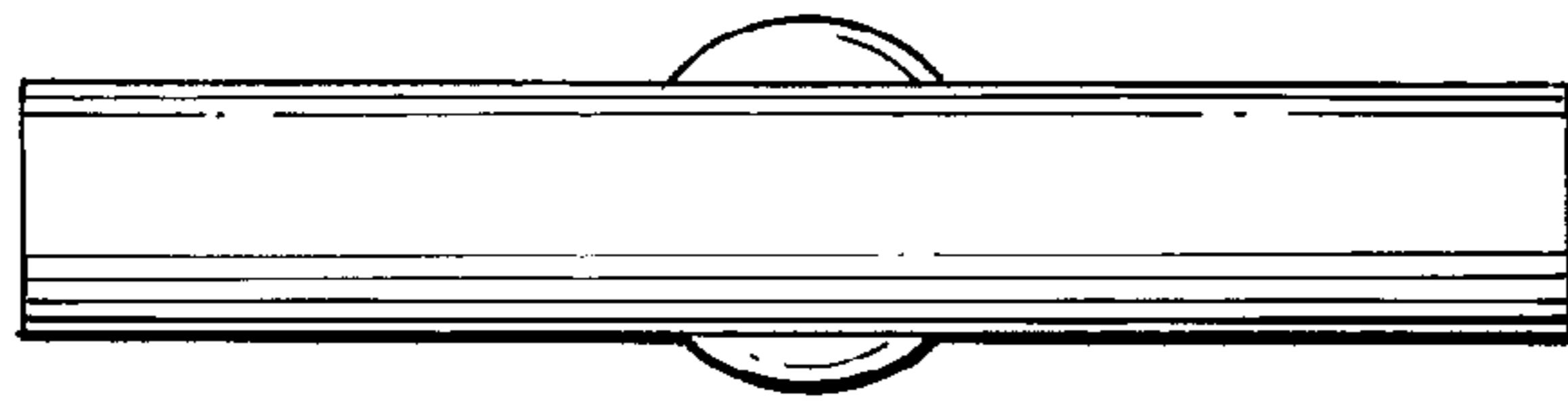


Fig. 1

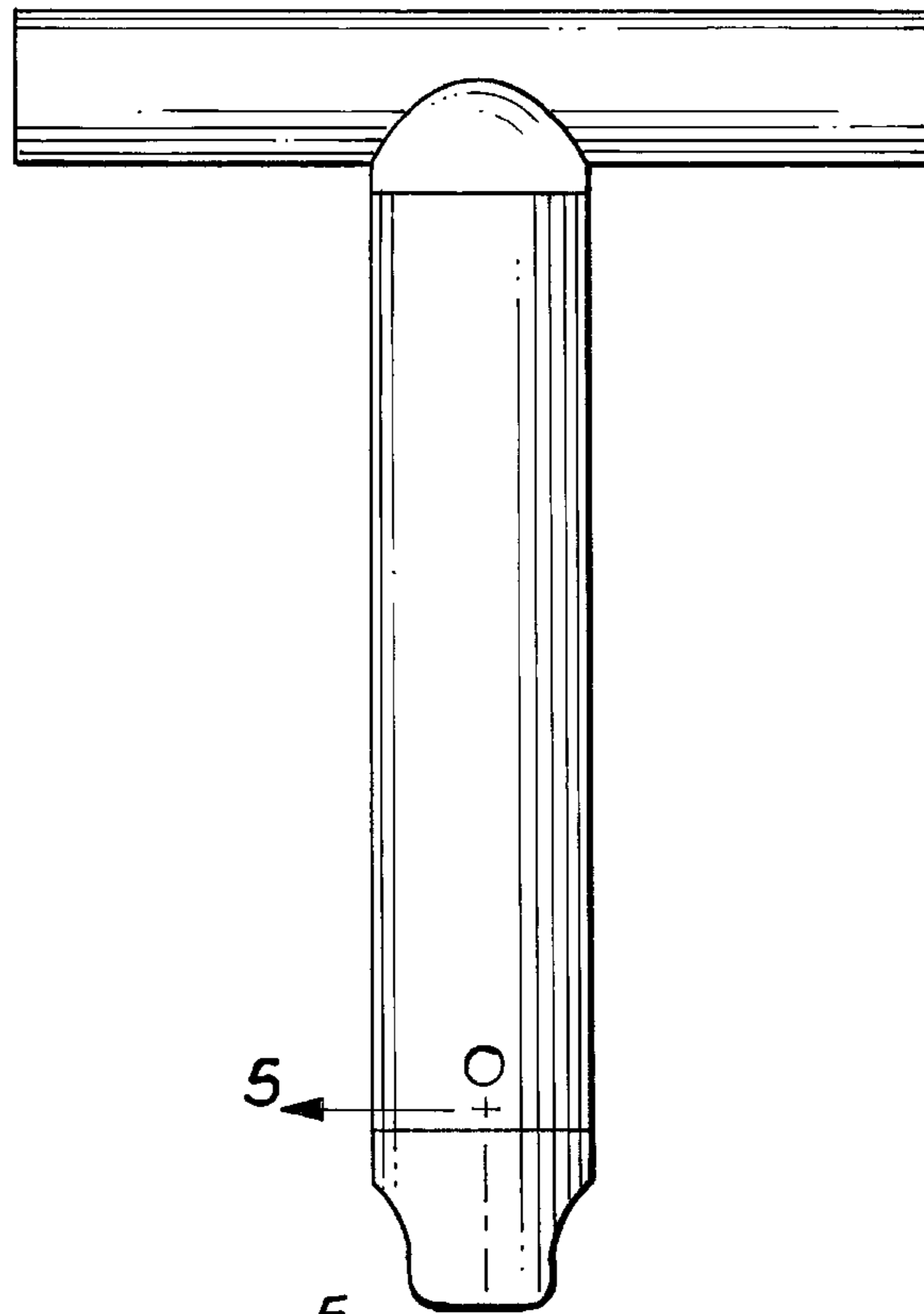


Fig. 2

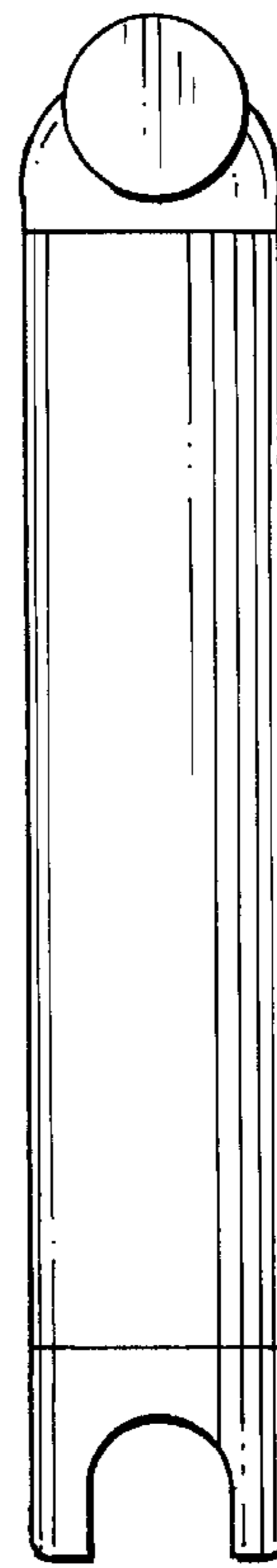


Fig. 3

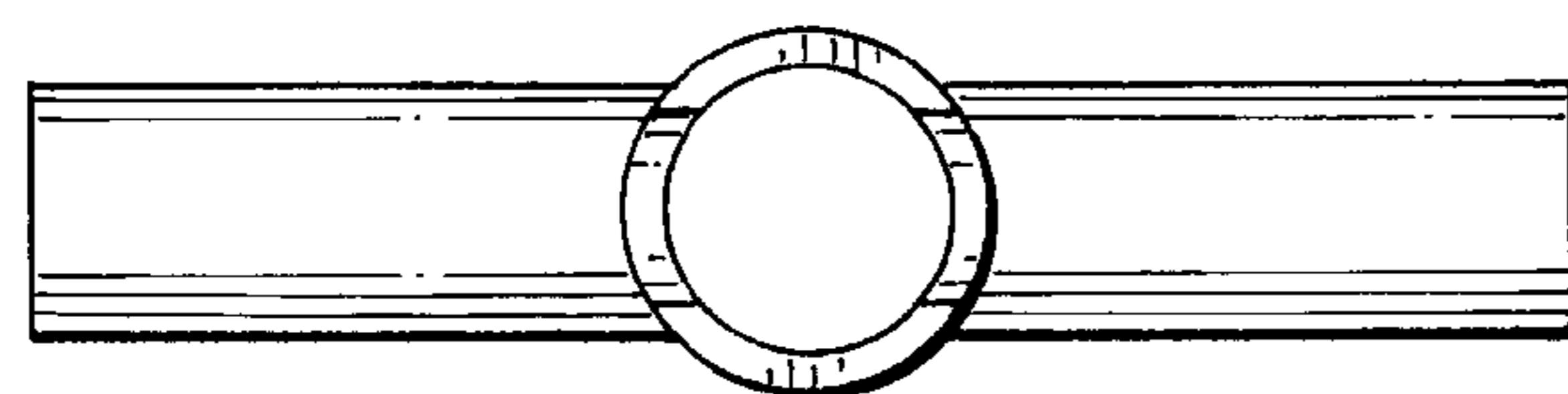


Fig. 4

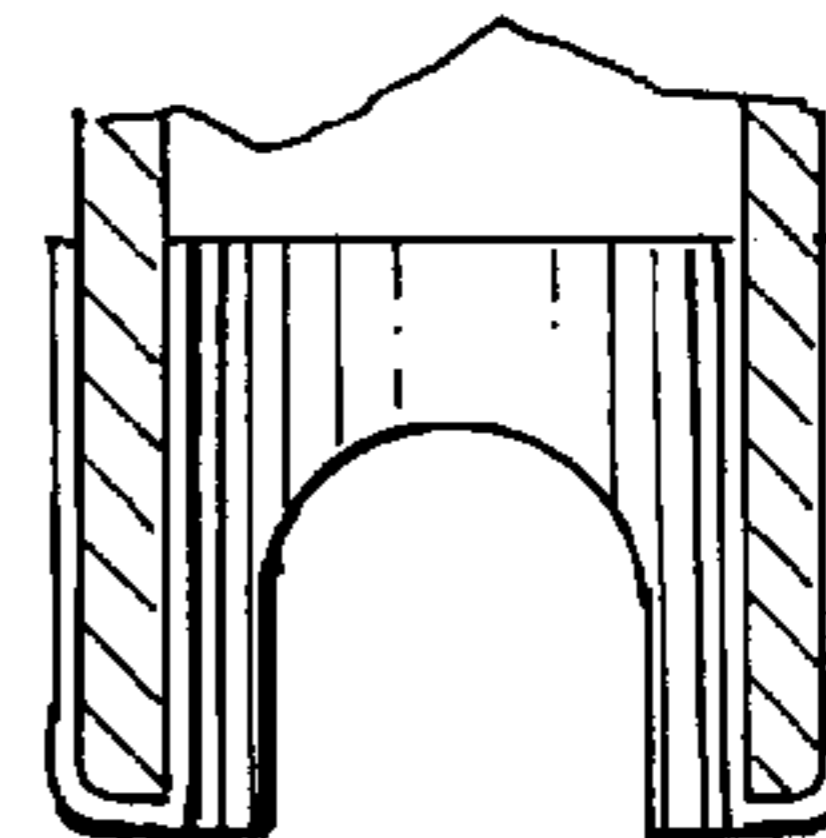


Fig. 5