



US00D634592S

(12) **United States Design Patent**
Bittner

(10) **Patent No.:** **US D634,592 S**
(45) **Date of Patent:** **** Mar. 22, 2011**

(54) **COMBINED FUNNEL AND ADAPTER WITH
MULTIPLE RECEIVING MEANS**

(76) Inventor: **David W. Bittner**, Frostburg, MD (US)

(**) Term: **14 Years**

(21) Appl. No.: **29/364,186**

(22) Filed: **Jun. 21, 2010**

(51) **LOC (9) Cl.** **07-99**

(52) **U.S. Cl.** **D7/700**

(58) **Field of Classification Search** D7/700,
D7/368, 669, 400; 141/95, 98, 297-300,
141/331-345; D23/200

See application file for complete search history.

(56) **References Cited**

U.S. PATENT DOCUMENTS

573,333	A	12/1896	Krimmel	
1,387,789	A *	8/1921	Lyons	141/339
2,031,030	A	2/1936	Brizard	
D153,202	S *	3/1949	Beller	D7/700
4,920,975	A	5/1990	Fay	
D364,629	S	11/1995	Shaw et al.	
D369,850	S	5/1996	Cammack et al.	
5,577,539	A	11/1996	Shaw et al.	
D404,979	S	2/1999	Harman et al.	
D415,552	S	10/1999	Malorni	

OTHER PUBLICATIONS

Choose Green | Weisenbach Recycled Products. Everydrop. http://recycledproducts.com/?search_type=products&search_field=everydrop&cid=12&s_type=ALL. Accessed Dec. 4, 2009.
Auto Accessories. Interstate Products Inc. Drum Funnel. http://www.interstateproducts.com/auto_accessories.htm. Accessed Dec. 4, 2009.

* cited by examiner

Primary Examiner — Terry A Wallace

(74) *Attorney, Agent, or Firm* — Montgomery Patent and Design; Joseph T. Yaksich; Robert C. Montgomery

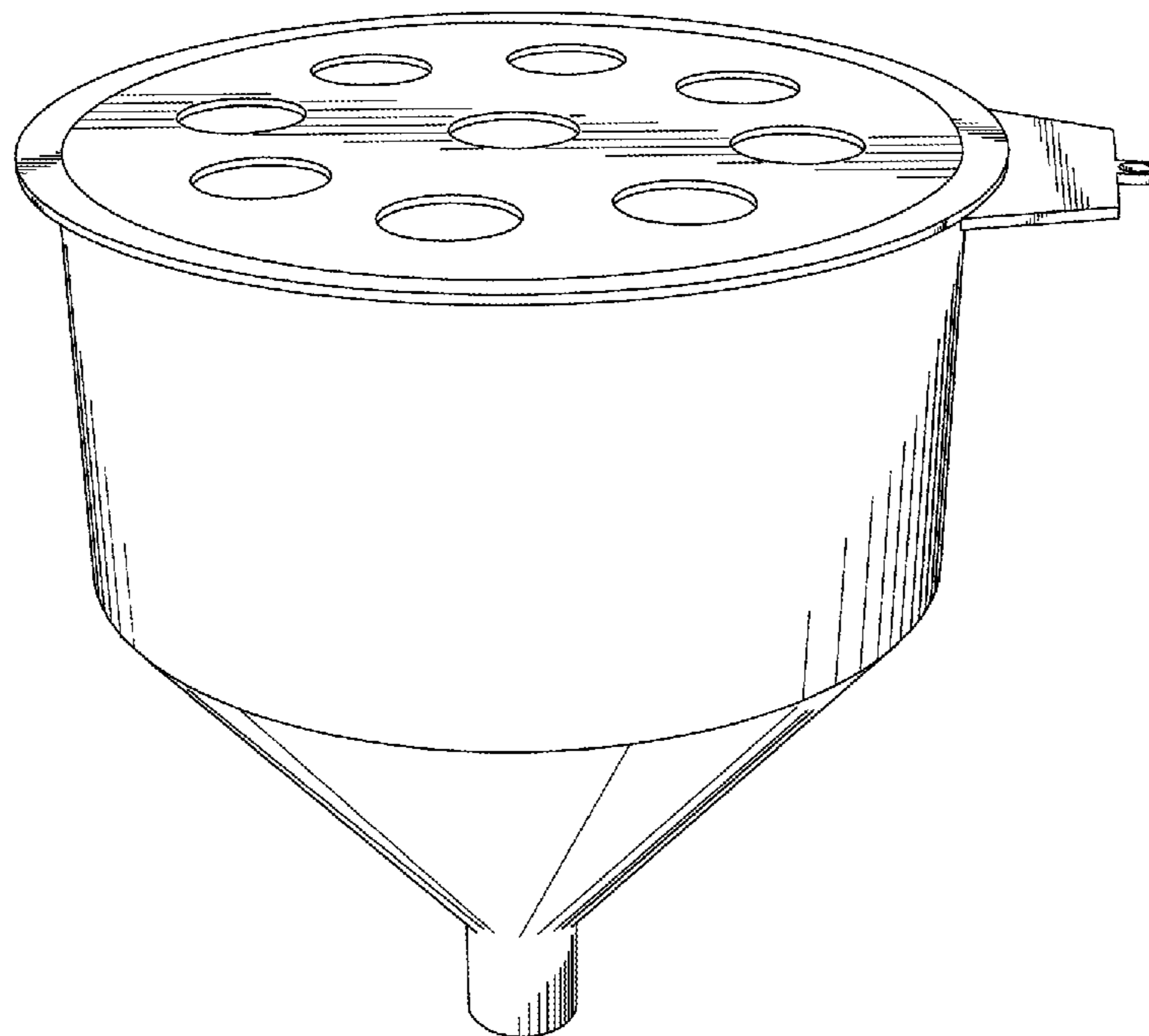
(57) **CLAIM**

The ornamental design for a combined funnel and adapter with multiple receiving means, as shown and described.

DESCRIPTION

FIG. 1 is a perspective view of a combined funnel and adapter with multiple receiving means, showing my new design; FIG. 2 is an exploded perspective view thereof; FIG. 3 is a right side view thereof; FIG. 4 is a left side view thereof; FIG. 5 is a front view thereof with a rear view being a mirror image; FIG. 6 is a top view thereof; and, FIG. 7 is a bottom view thereof.

1 Claim, 7 Drawing Sheets



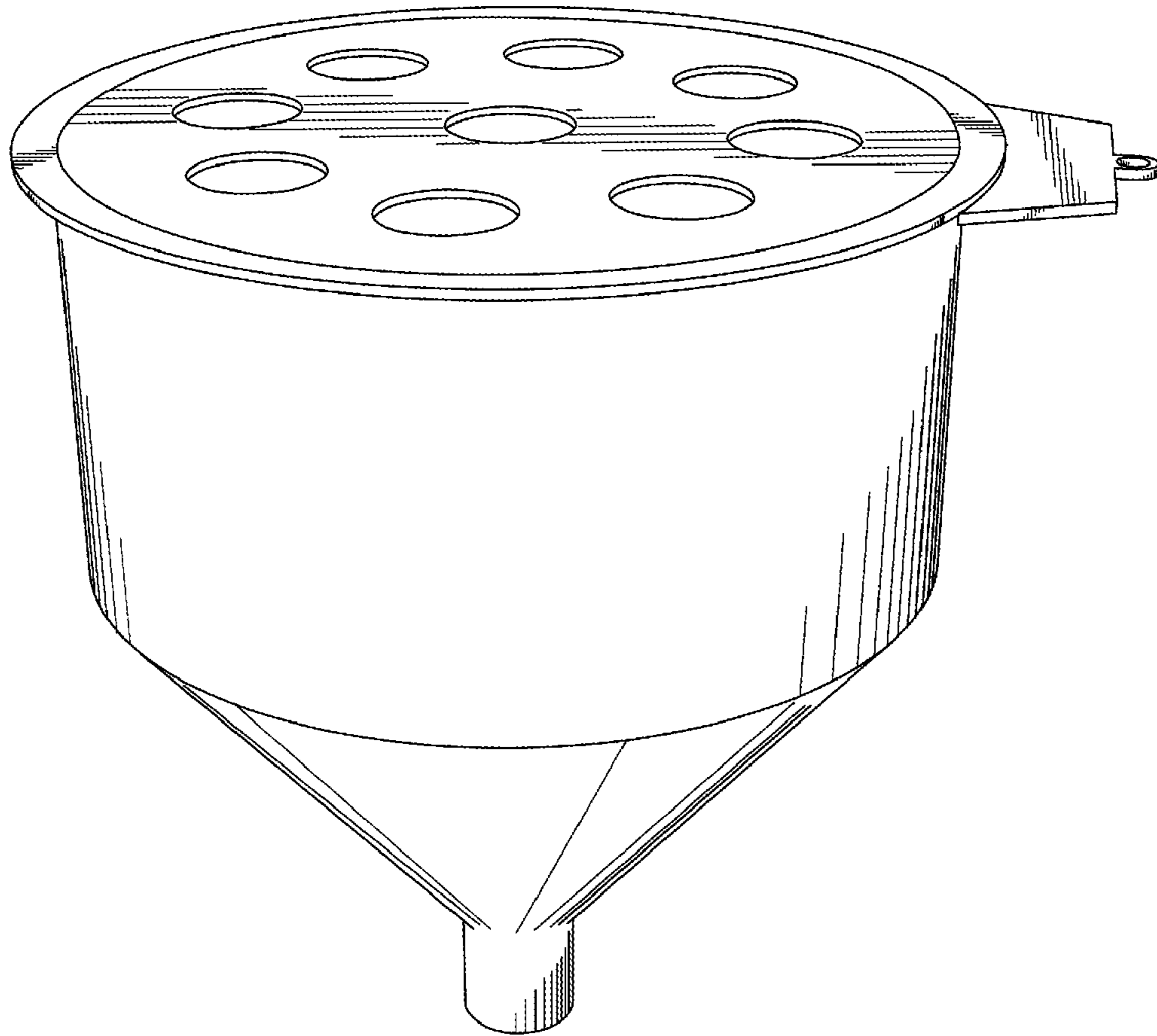


Fig. 1

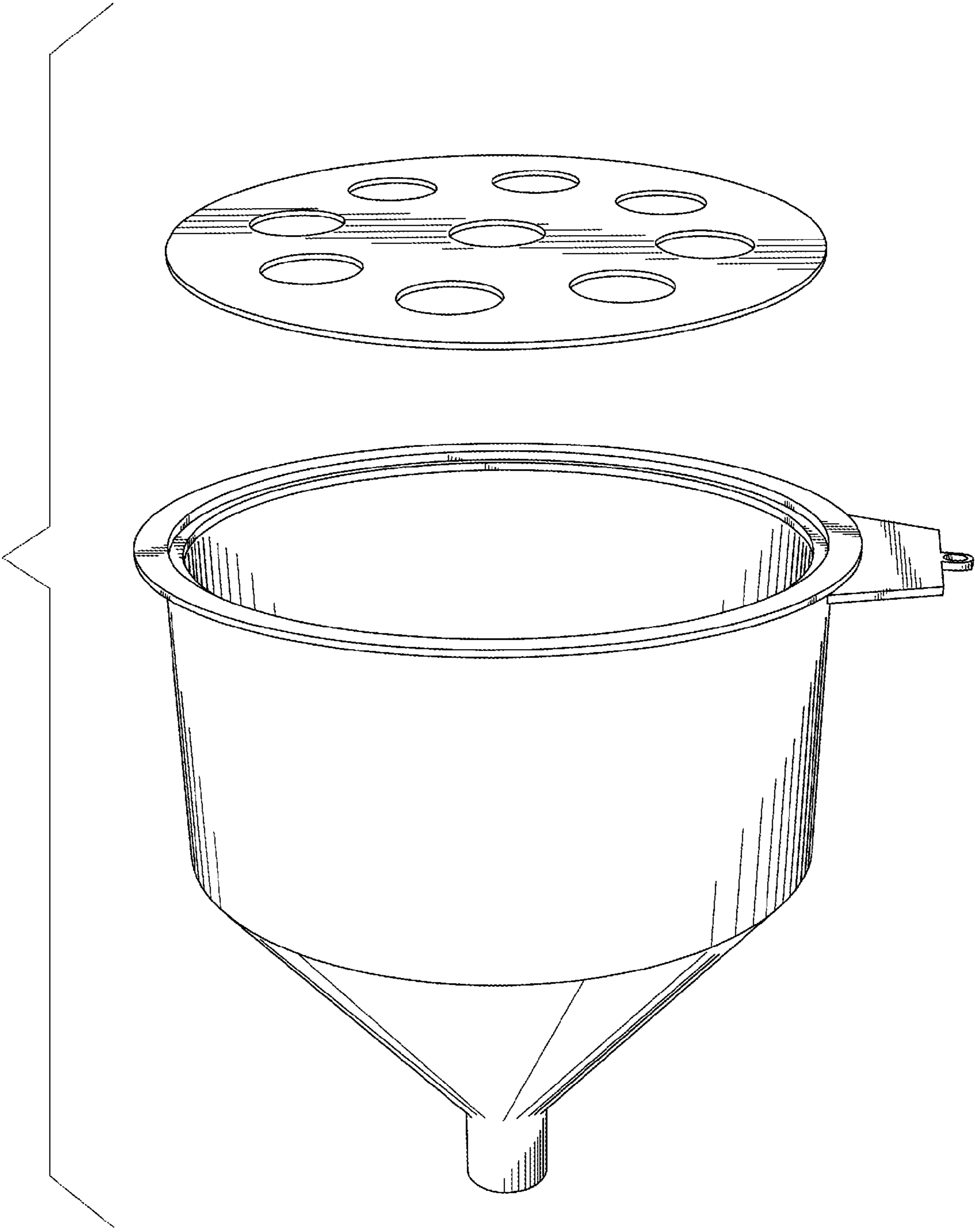


Fig. 2

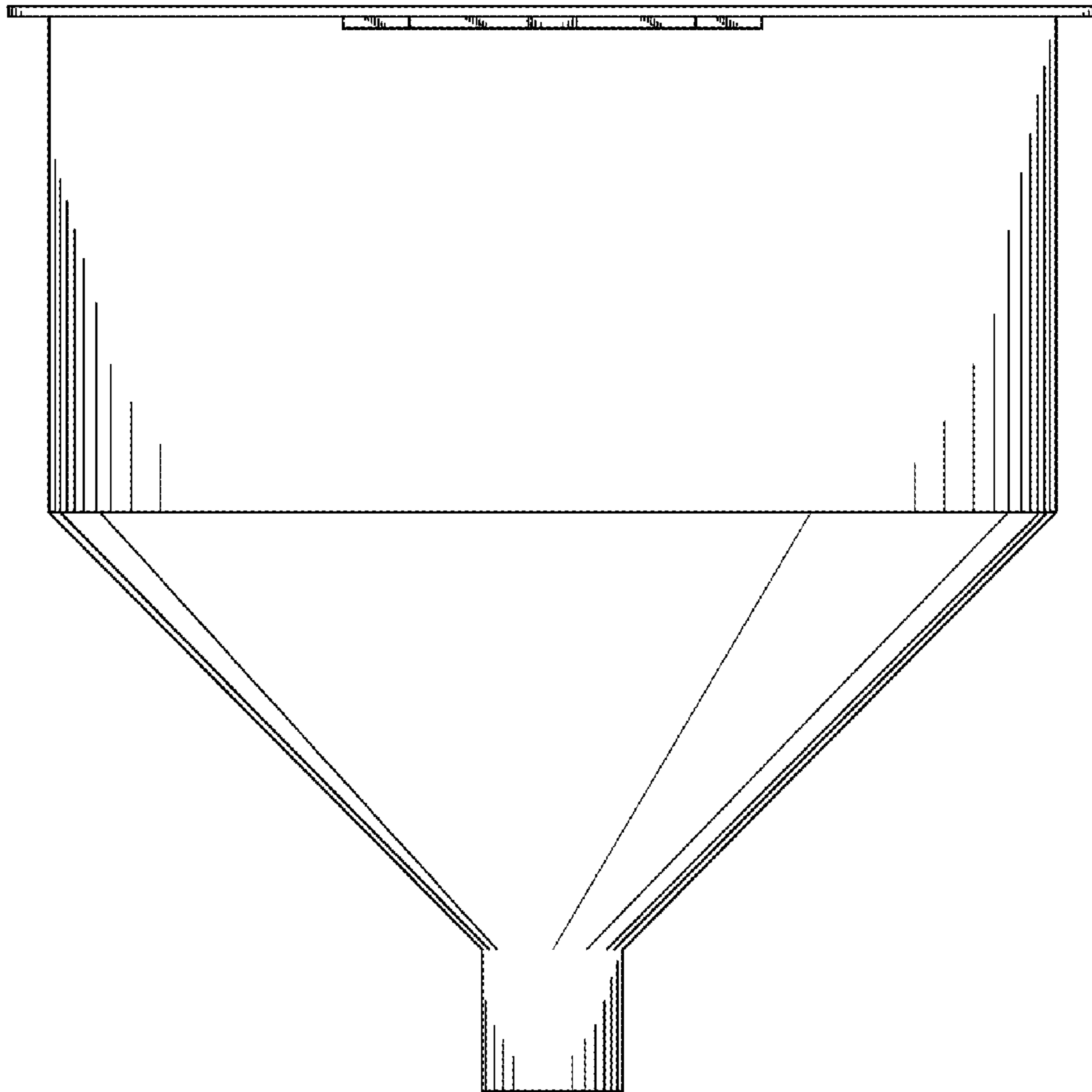


Fig. 3

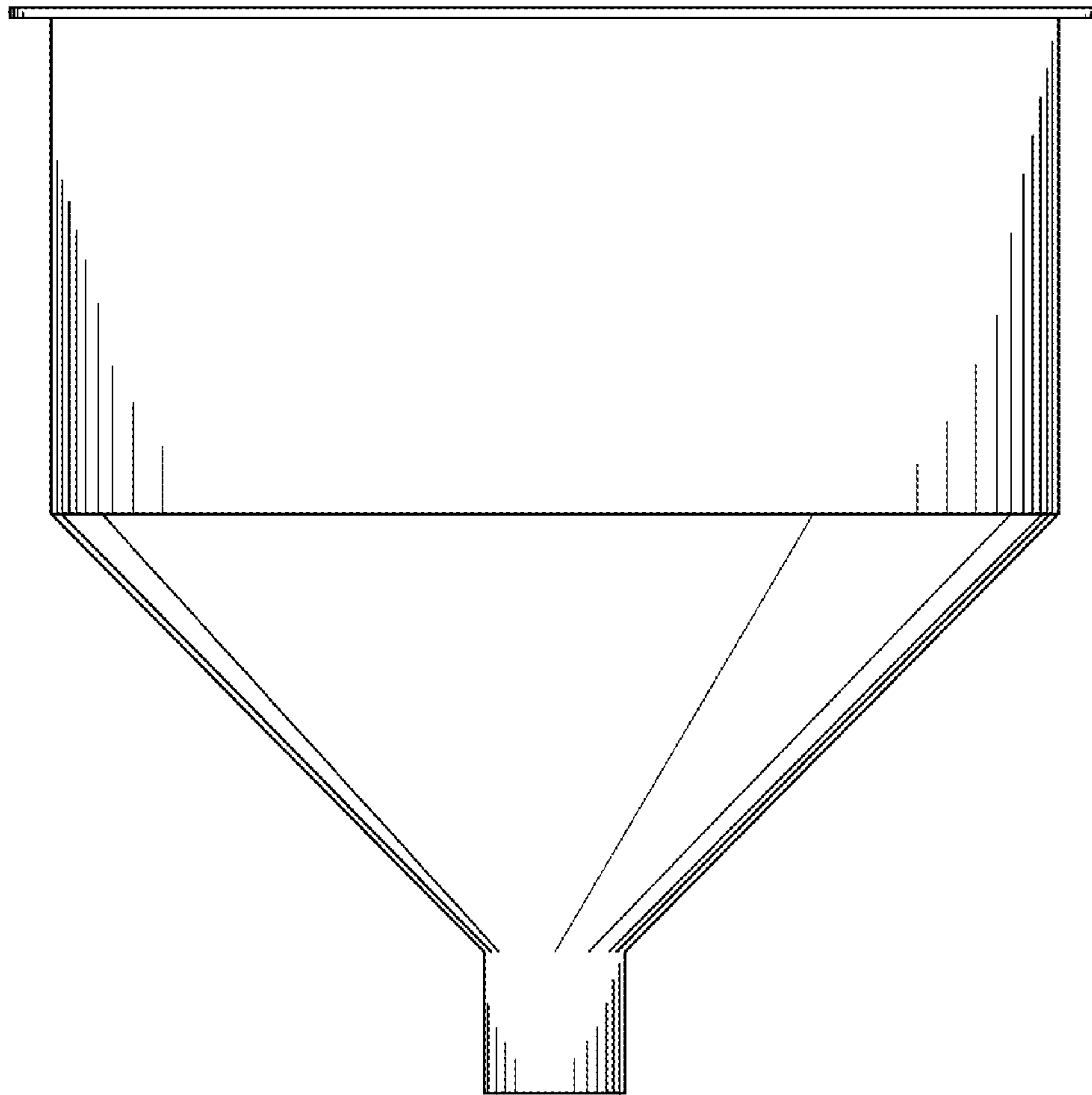


Fig. 4

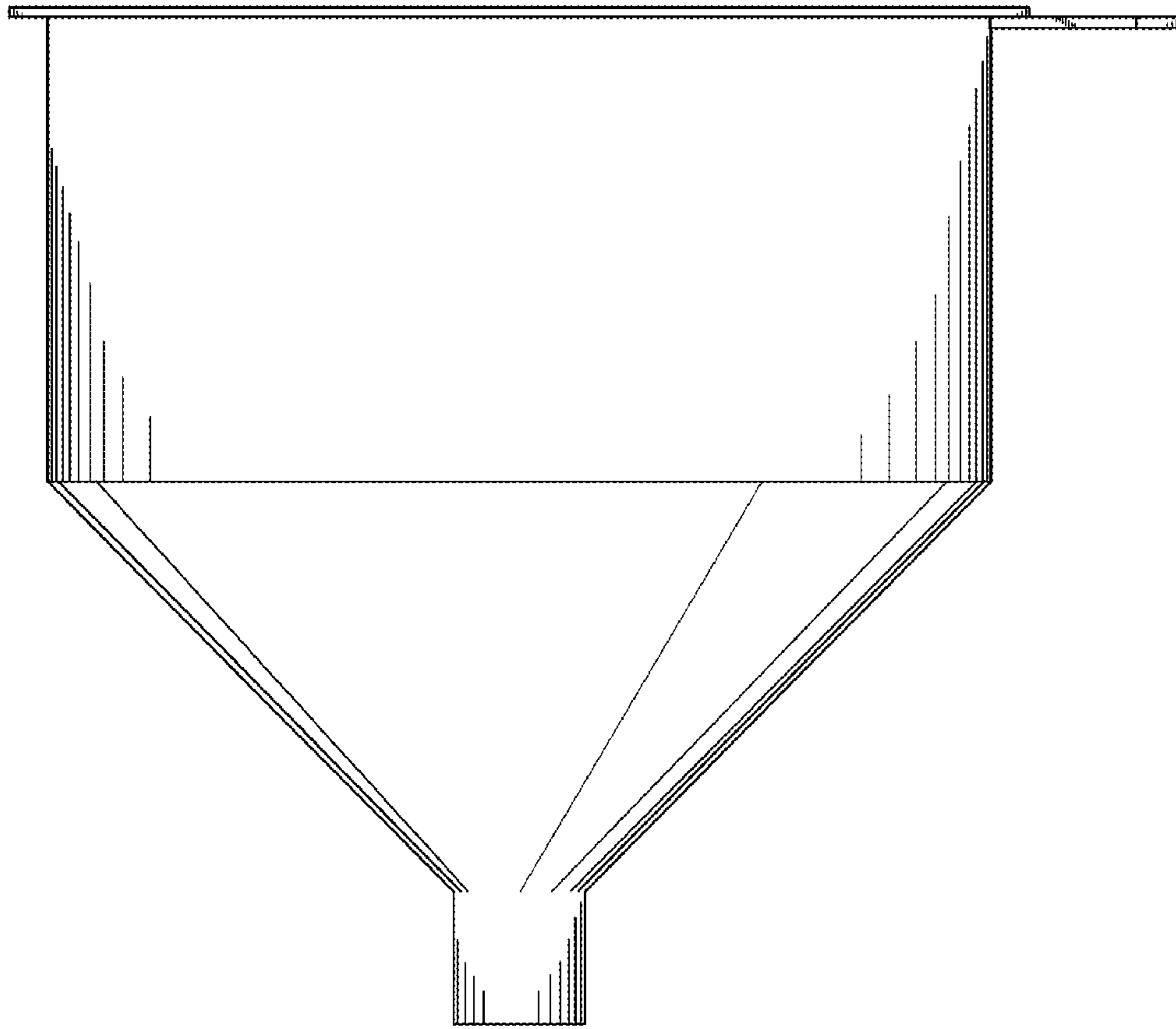


Fig. 5

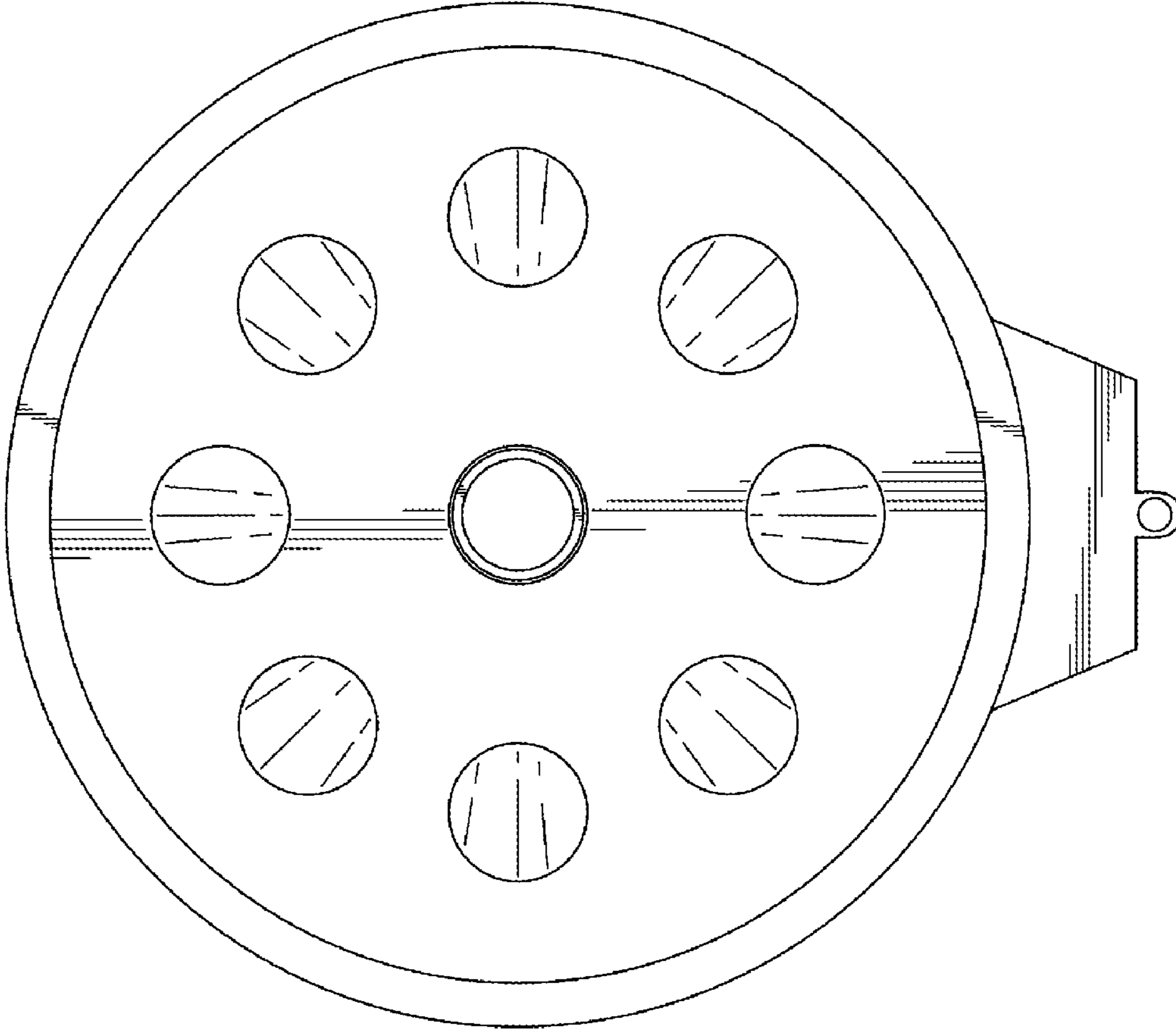


Fig. 6

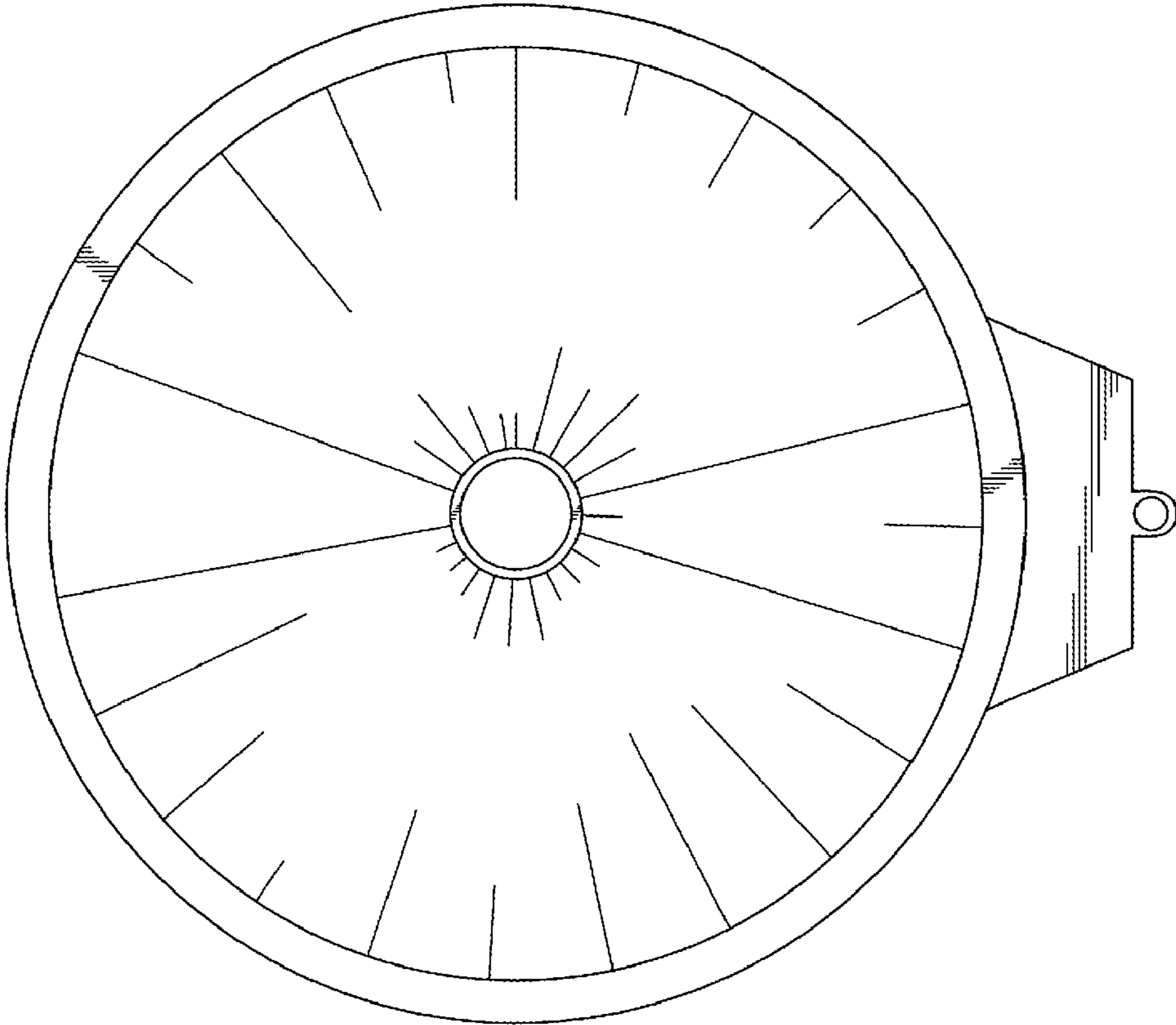


Fig. 7