



US00D634591S

(12) **United States Design Patent**  
**Coppo**

(10) **Patent No.:** **US D634,591 S**  
(45) **Date of Patent:** **\*\* Mar. 22, 2011**

(54) **LADLE**

5,182,860 A \* 2/1993 Kuhlman ..... 30/325  
D438,764 S \* 3/2001 Parker et al. .... D7/683  
D440,130 S \* 4/2001 Armstrong et al. .... D7/691

(75) Inventor: **Franco Coppo**, Milan (IT)

\* cited by examiner

(73) Assignee: **Sambonet Paderno Industrie S.p.A.**,  
Milan (IT)

*Primary Examiner* — Terry A Wallace

(\*\*) Term: **14 Years**

(74) *Attorney, Agent, or Firm* — Hedman & Costigan, P.C.;  
James V. Costigan

(21) Appl. No.: **29/315,875**

(57) **CLAIM**

(22) Filed: **Jul. 31, 2009**

The ornamental design for a ladle, as shown and described.

(51) **LOC (9) Cl.** ..... **07-02**

(52) **U.S. Cl.** ..... **D7/691**

(58) **Field of Classification Search** ..... D7/680–969,  
D7/393, 395, 653–664, 401.2; 30/324–328;  
294/1.1, 55

See application file for complete search history.

**DESCRIPTION**

FIG. 1 is a front perspective view of the invention;  
FIG. 2 is the front view of the invention;  
FIG. 3 is the back view of the invention;  
FIG. 4 is the left side view of the invention;  
FIG. 5 is the right view of the invention;  
FIG. 6 is the top view of the invention; and,  
FIG. 7 is the bottom view of the invention.

(56) **References Cited**

**U.S. PATENT DOCUMENTS**

D268,244 S \* 3/1983 Morin ..... D7/691  
D311,852 S \* 11/1990 Green ..... D7/692

**1 Claim, 7 Drawing Sheets**

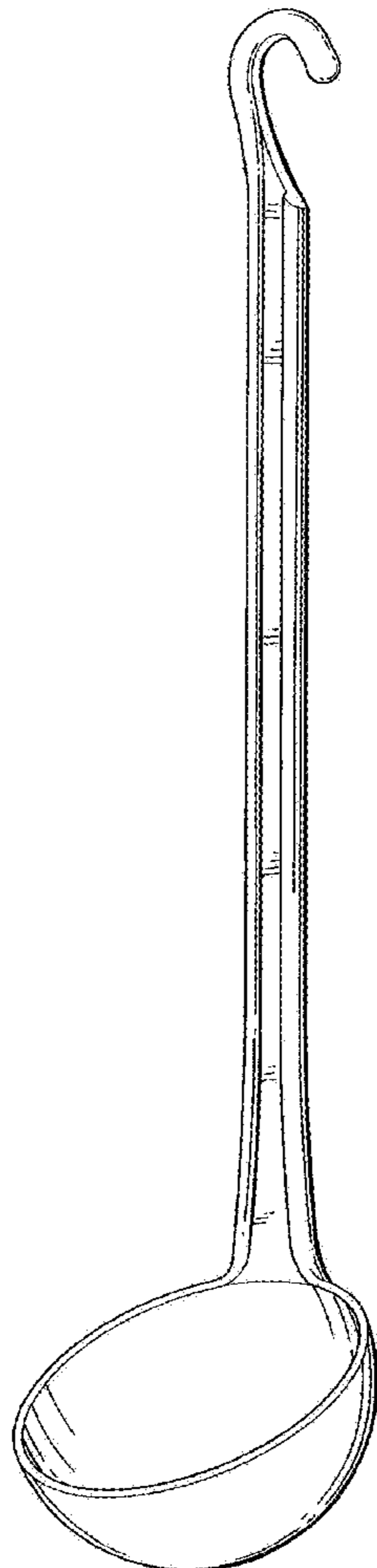


FIG. 1

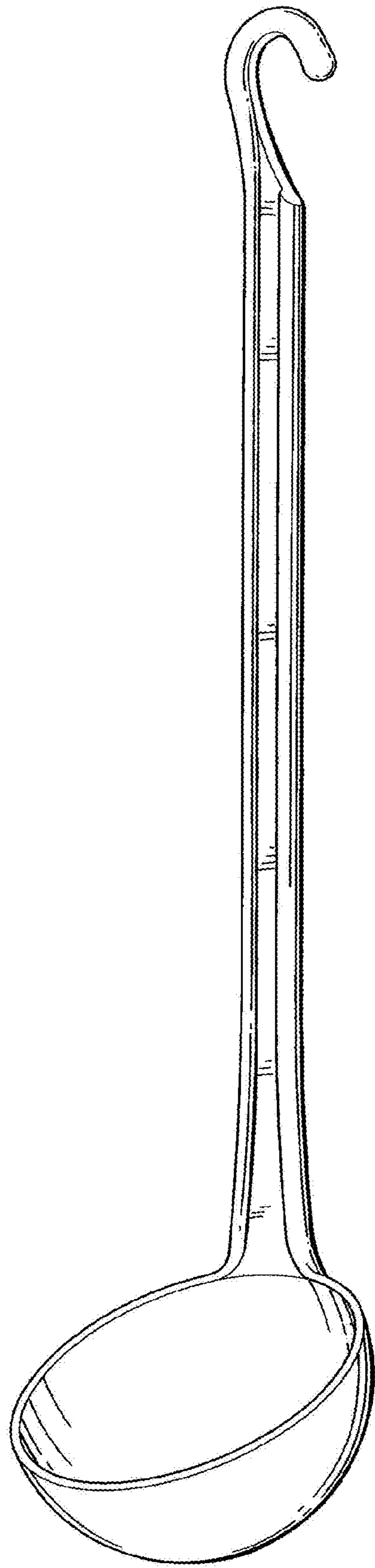


FIG. 2

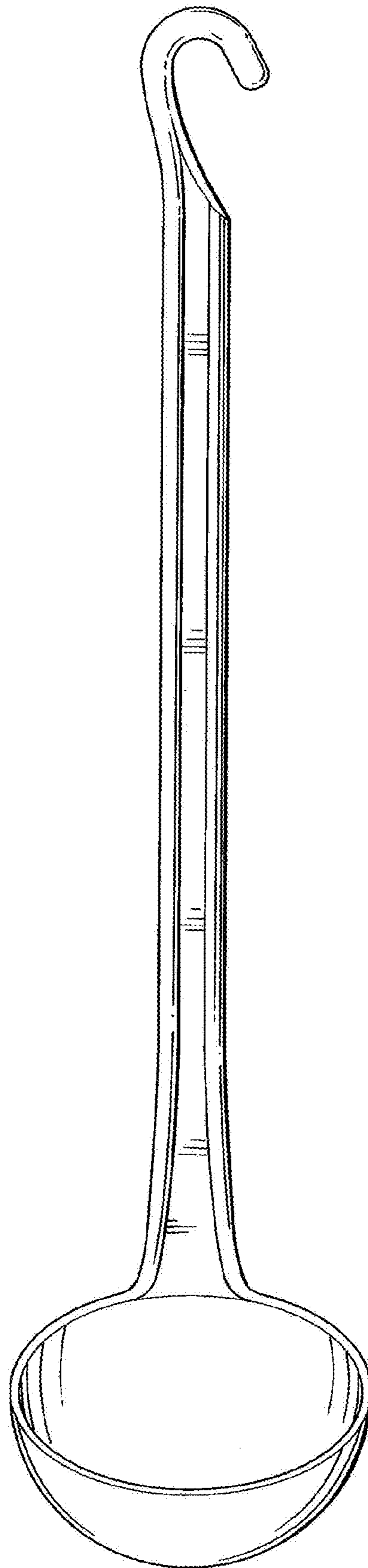


FIG. 3

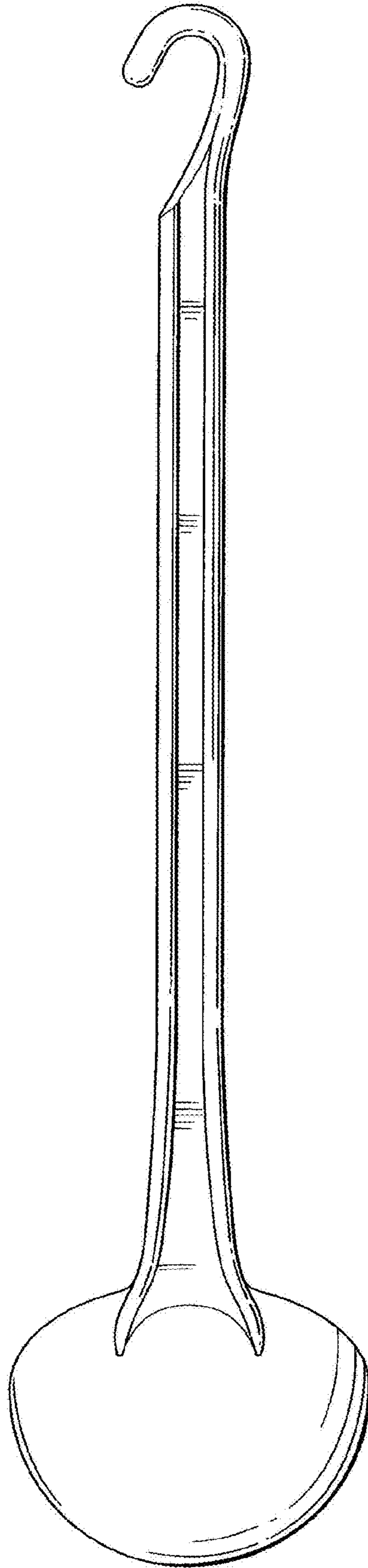


FIG. 4

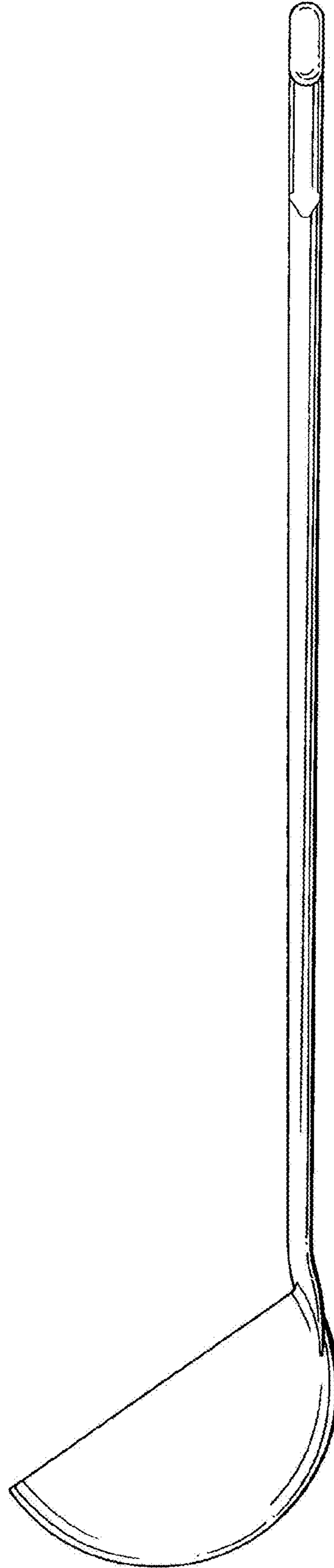
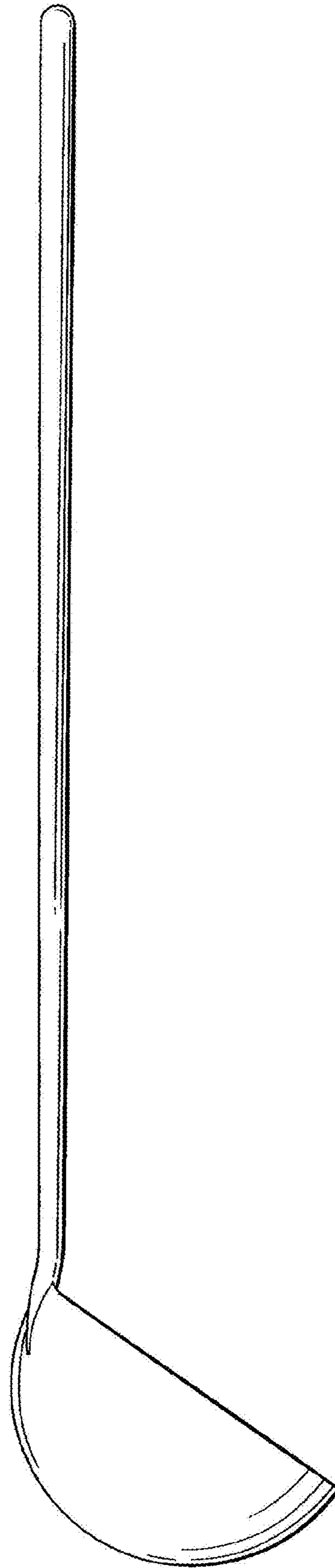


FIG. 5



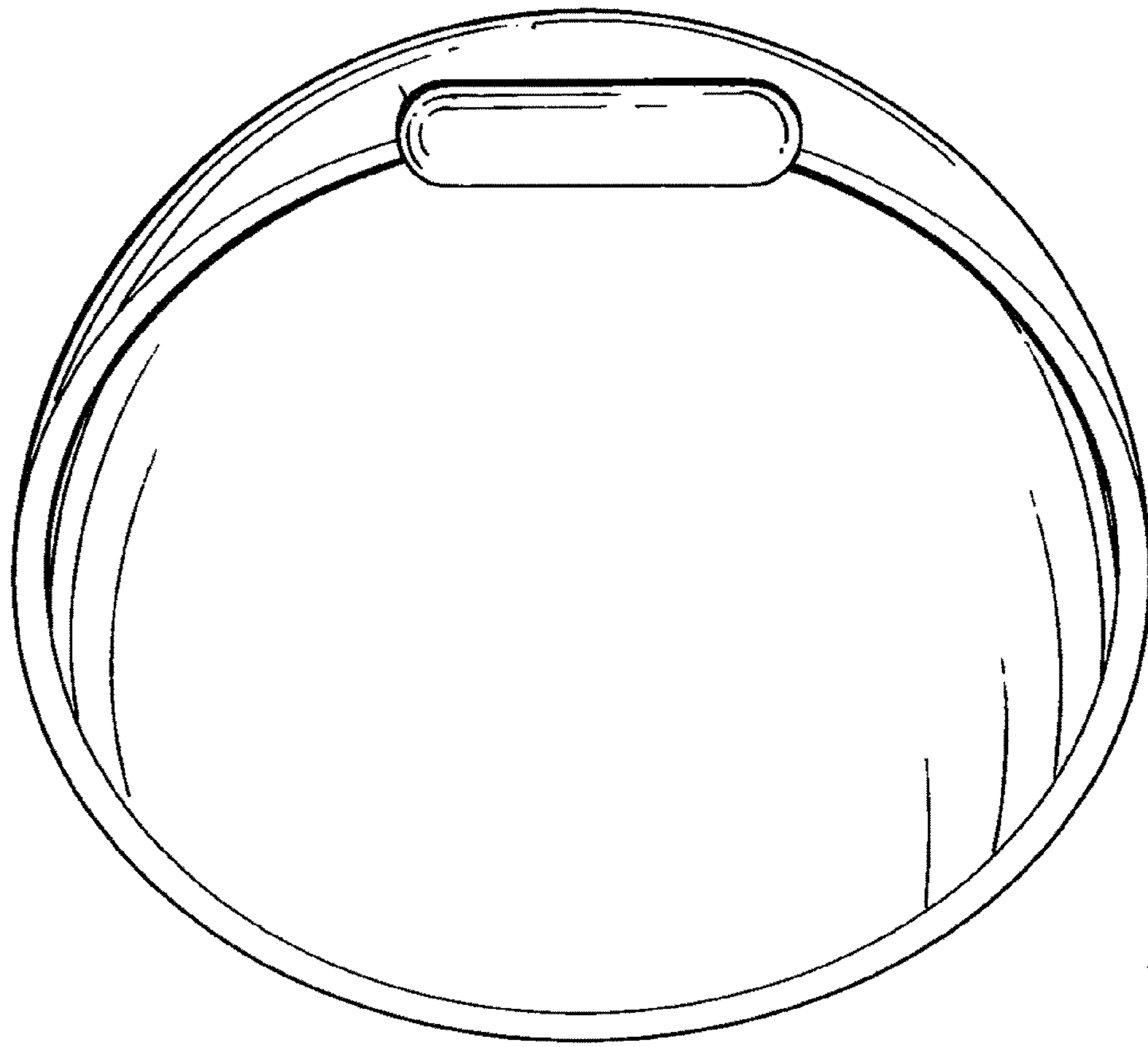


FIG. 6

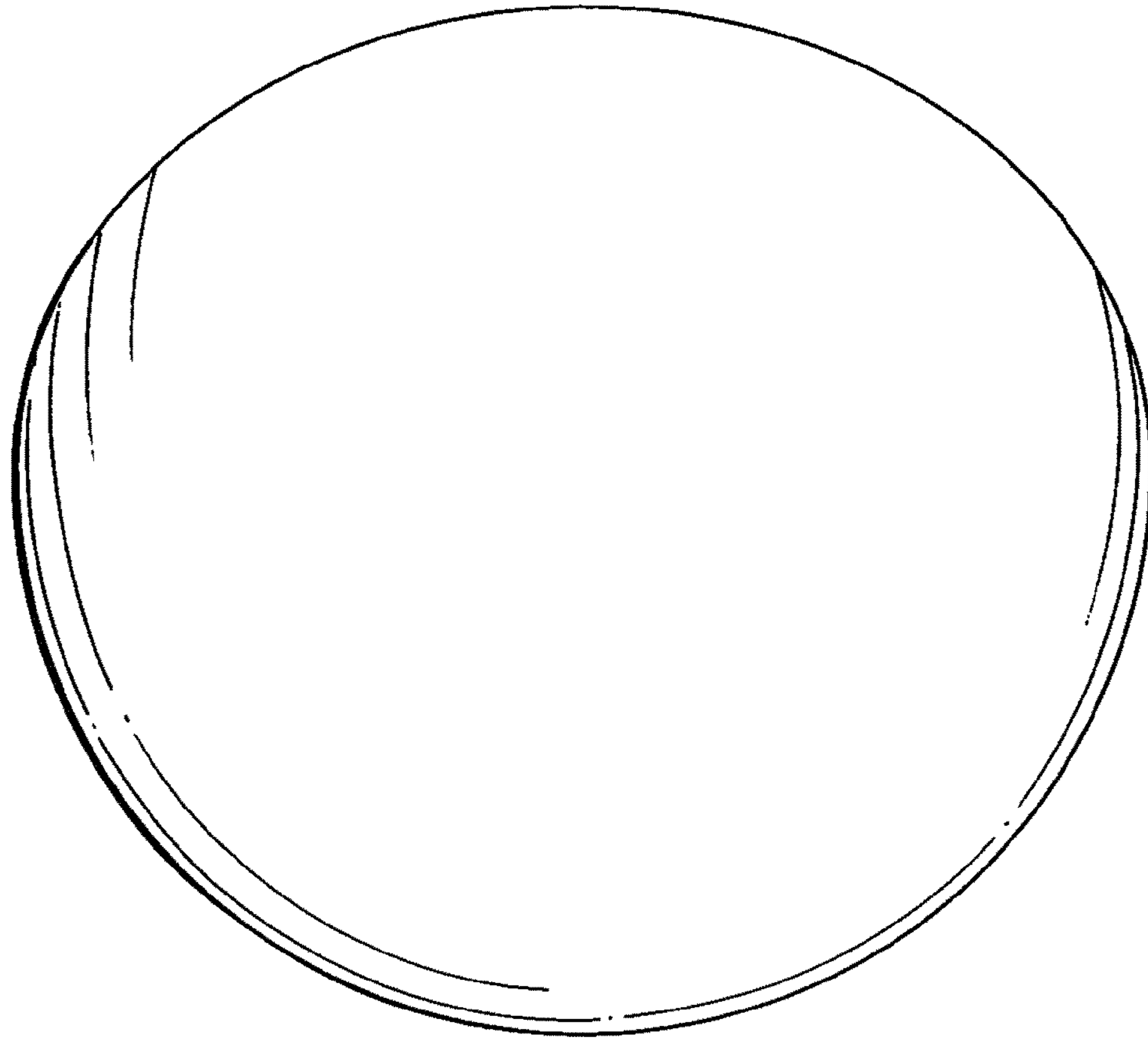


FIG. 7