

US00D634588S

(12) **United States Design Patent**
Cook et al.

(10) **Patent No.:** **US D634,588 S**
(45) **Date of Patent:** **** Mar. 22, 2011**

(54) **CONTAINER SLEEVE**

(75) Inventors: **Matthew R. Cook**, Hinsdale, IL (US);
Kurt M. Wolf, Chicago, IL (US);
Thomas Fu, Naperville, IL (US)

(73) Assignee: **LBP Manufacturing, Inc.**, Cicero, IL (US)

(**) Term: **14 Years**

(21) Appl. No.: **29/358,446**

(22) Filed: **Mar. 26, 2010**

(51) **LOC (9) Cl.** **07-06**

(52) **U.S. Cl.** **D7/619.1; D7/624.2**

(58) **Field of Classification Search** D7/619.1,
D7/622, 624.1, 624.2; D9/444; 220/737-739,
220/903; 229/400, 402, 403, 405, 117.23,
229/939

See application file for complete search history.

(56) **References Cited**

U.S. PATENT DOCUMENTS

3,126,139	A	3/1964	Schechter	
5,203,490	A	4/1993	Roe	
5,425,497	A *	6/1995	Sorensen	220/738
D383,947	S	9/1997	Schaefer	
5,667,135	A	9/1997	Schaefer	
5,842,633	A *	12/1998	Nurse	229/403
5,857,615	A *	1/1999	Rose	229/403
6,032,826	A *	3/2000	Libit et al.	220/738
6,053,352	A	4/2000	Cai	
6,068,182	A *	5/2000	Tokunaga	229/403
6,273,333	B1	8/2001	Ward	
6,343,735	B1	2/2002	Cai	
D524,118	S *	7/2006	Gregorczyk	D7/624.2
7,264,134	B2	9/2007	Tulp	

D585,700 S 2/2009 Chu
2006/0000882 A1 1/2006 Darzinskas
2006/0231606 A1* 10/2006 Katchko et al. 229/403

OTHER PUBLICATIONS

Web page showing cup sleeves, <http://www.gramfg.com/page/product-sleeves.htm>, Last viewed May 21, 2010.
Web page showing cup sleeves, http://makeseller.en.alibaba.com/product/207147487-0/paper_cup_sleeves.html, Last viewed May 21, 2010.

* cited by examiner

Primary Examiner — Terry A Wallace

(74) *Attorney, Agent, or Firm* — Brinks Hofer Gilson & Lione

(57) **CLAIM**

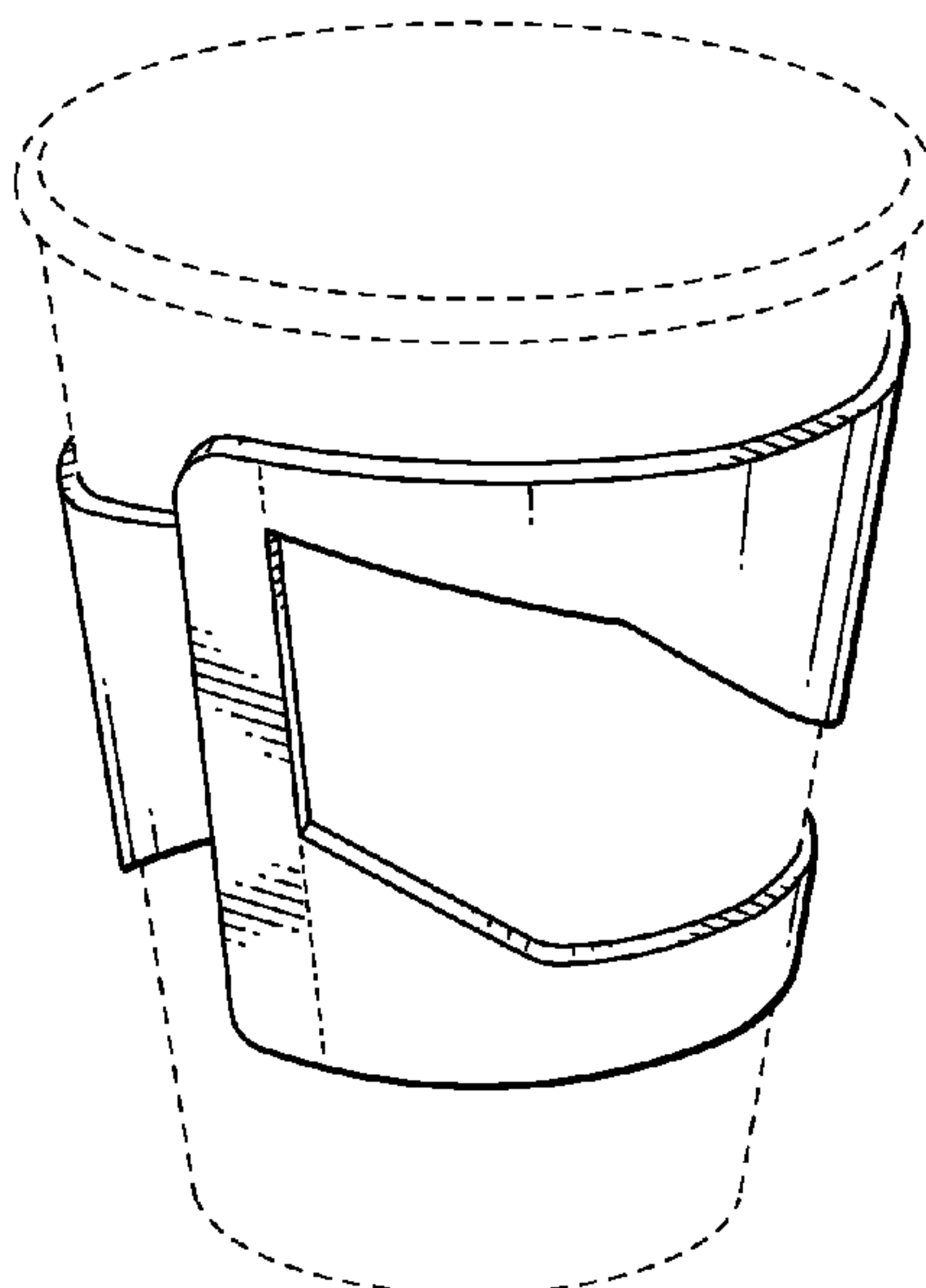
We claim the ornamental design for a container sleeve, as shown and described.

DESCRIPTION

FIG. 1 is a perspective view of a container sleeve showing an exemplary embodiment of my/our new design;
FIG. 2 is a front view of the container sleeve of FIG. 1;
FIG. 3 is a rear view of the container sleeve of FIG. 1;
FIG. 4 is a first side view of the container sleeve of FIG. 1;
FIG. 5 is a second side view of the container sleeve of FIG. 1;
FIG. 6 is a top view of the container sleeve of FIG. 1;
FIG. 7 is a bottom view the container sleeve of FIG. 1; and,
FIG. 8 is an unassembled view of the container sleeve of FIG. 1.

The broken lines in FIG. 1-7 are for illustrative purposes only and form no part of the claimed design. The dashed lines in FIG. 8 represent fold lines.

1 Claim, 3 Drawing Sheets



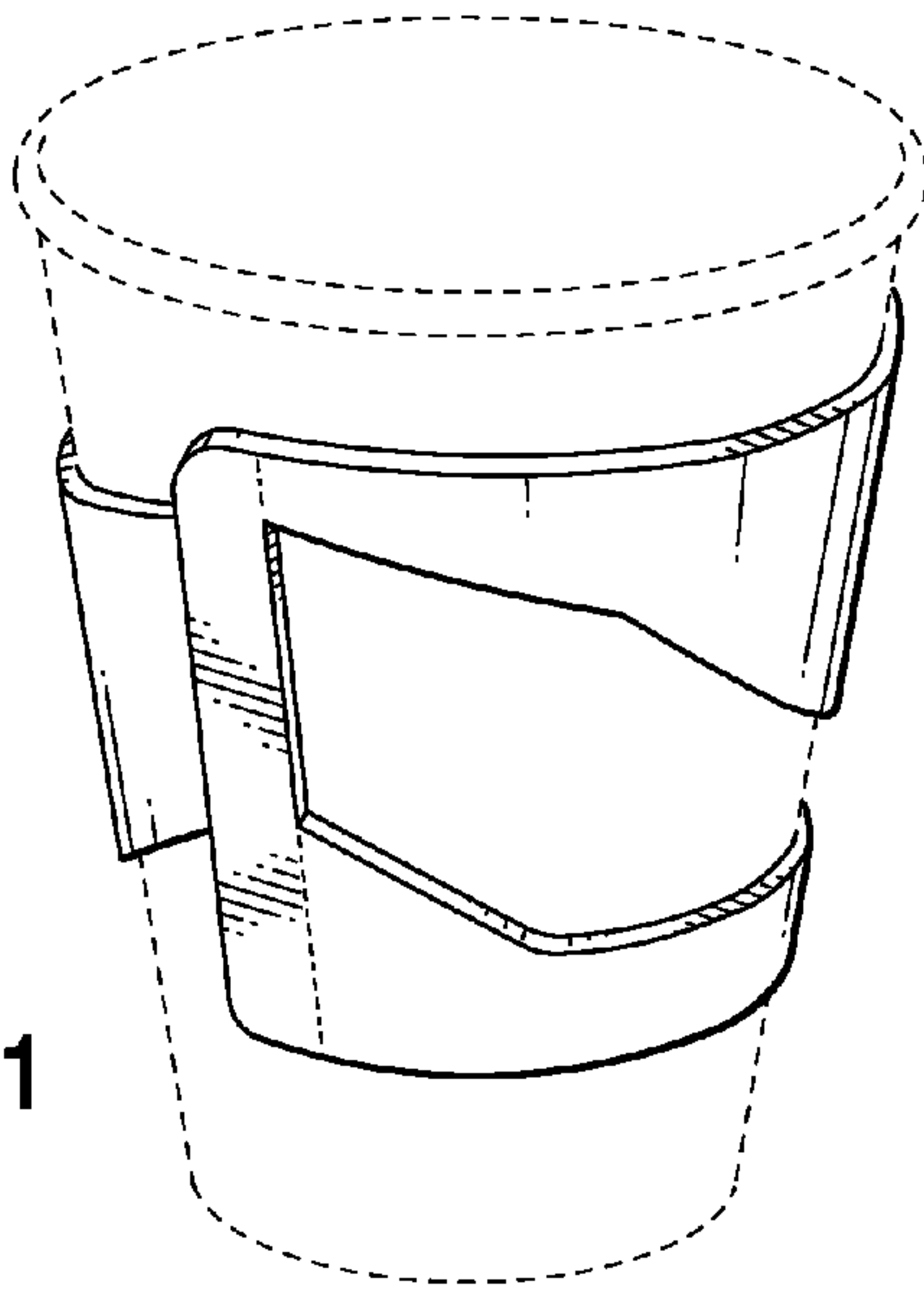


FIG. 1

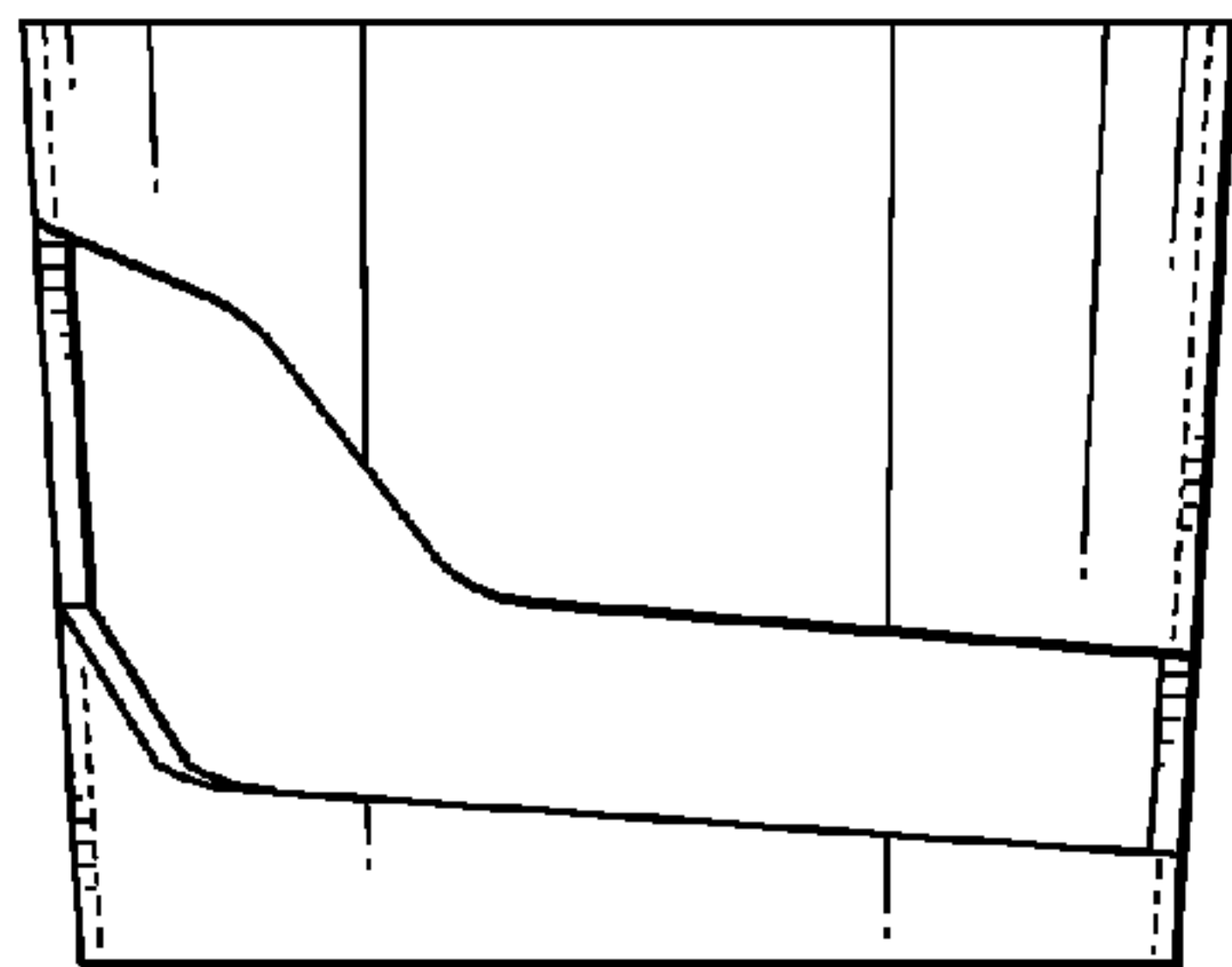


FIG. 2

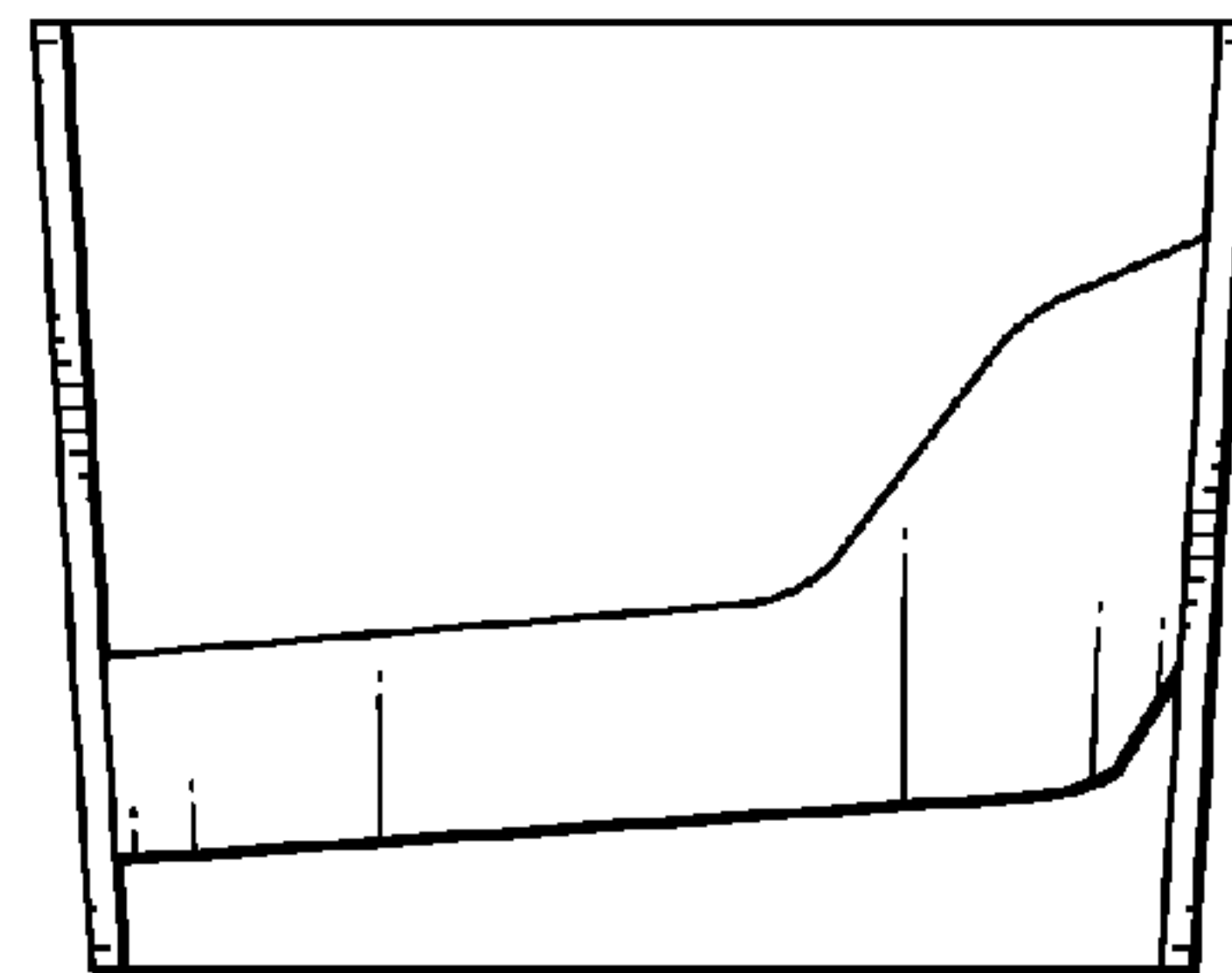


FIG. 3

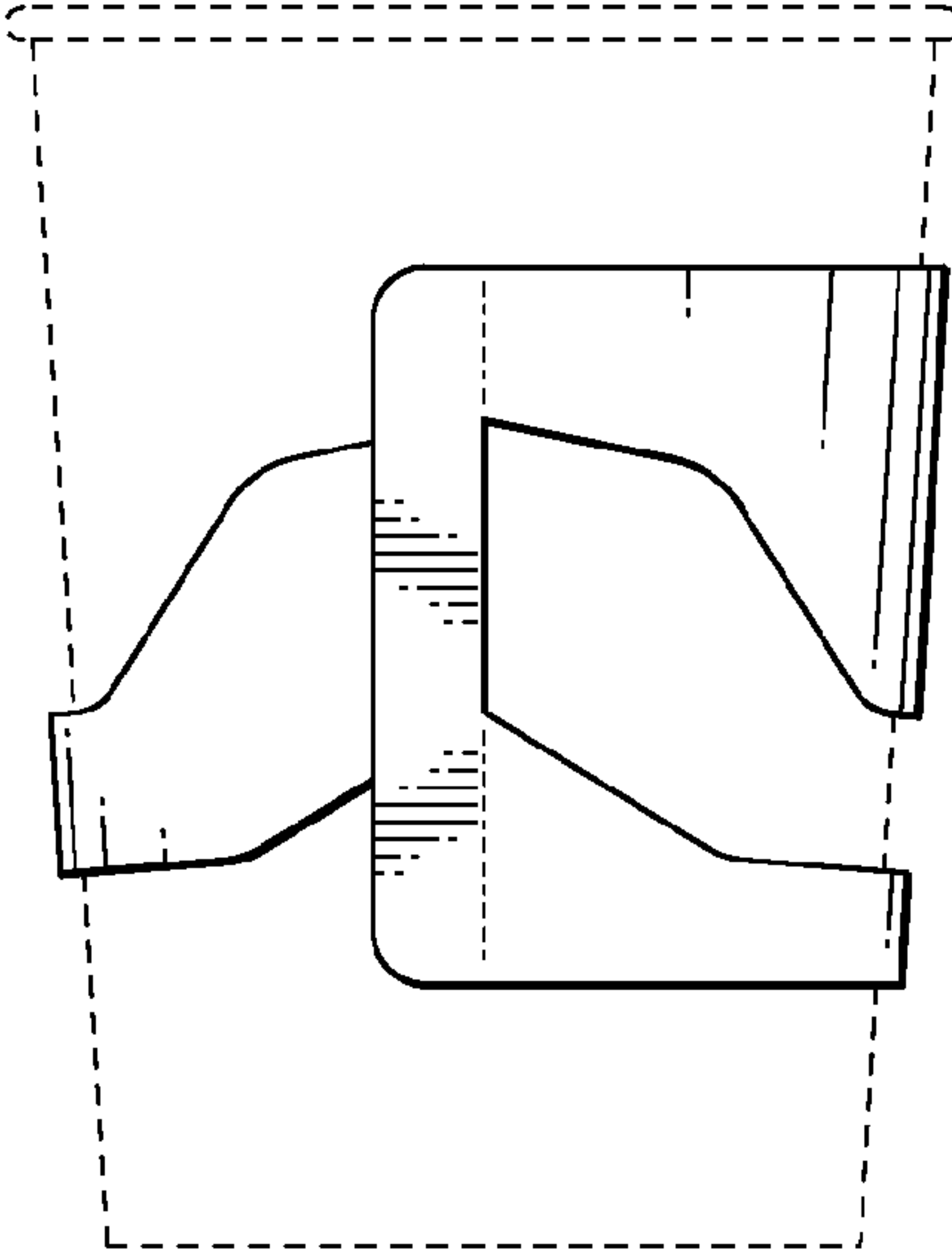


FIG. 4

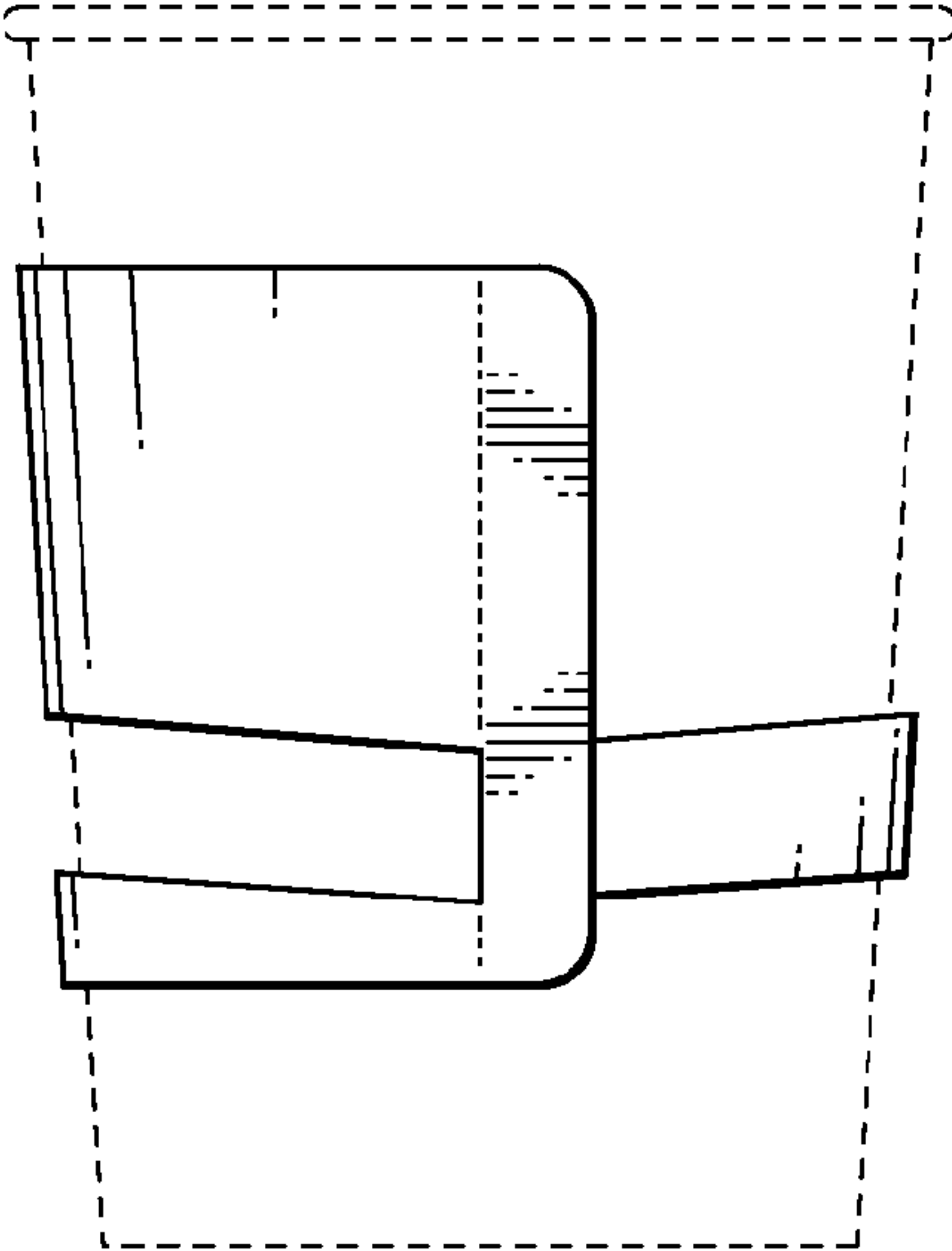


FIG. 5

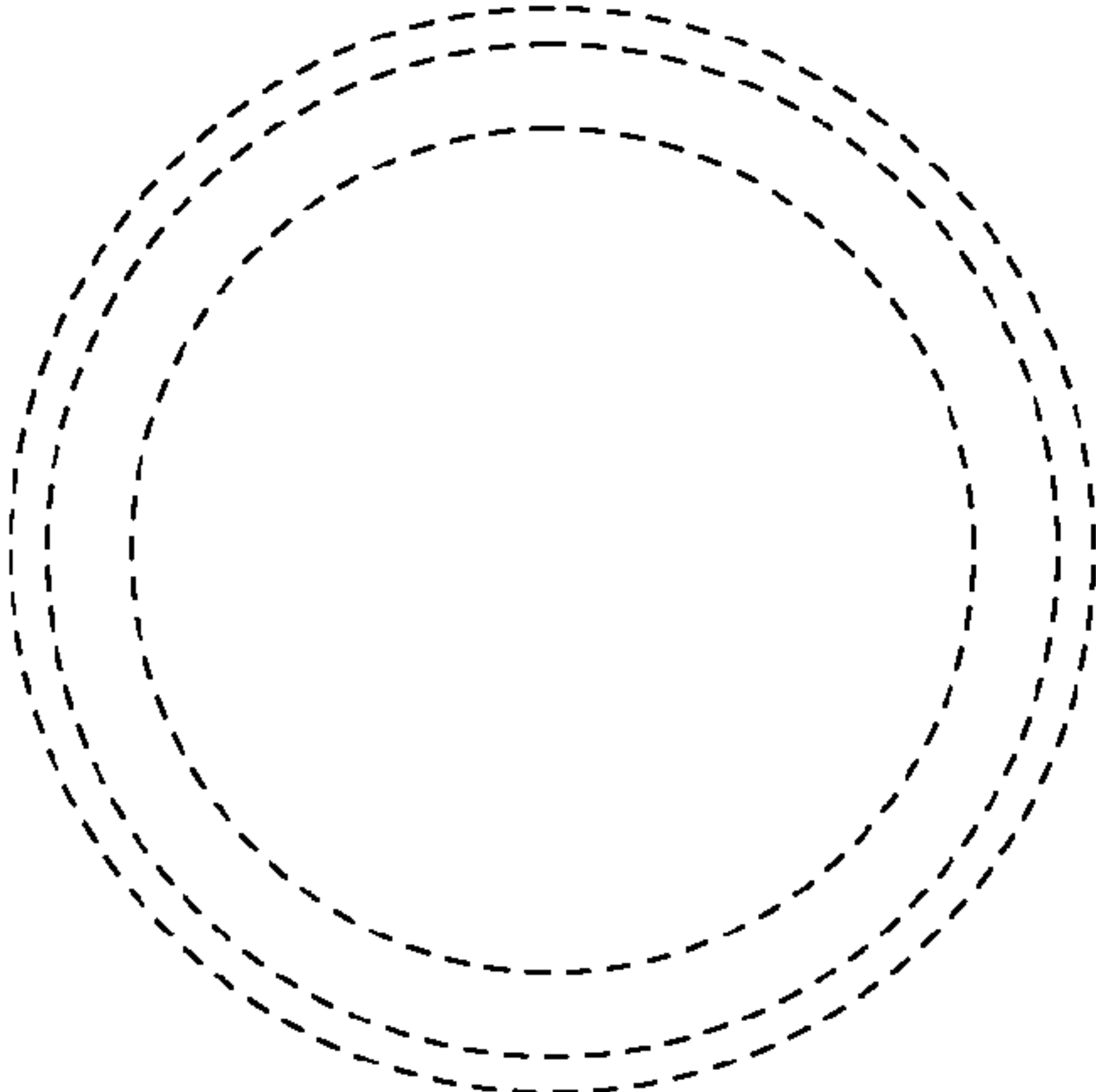


FIG. 6

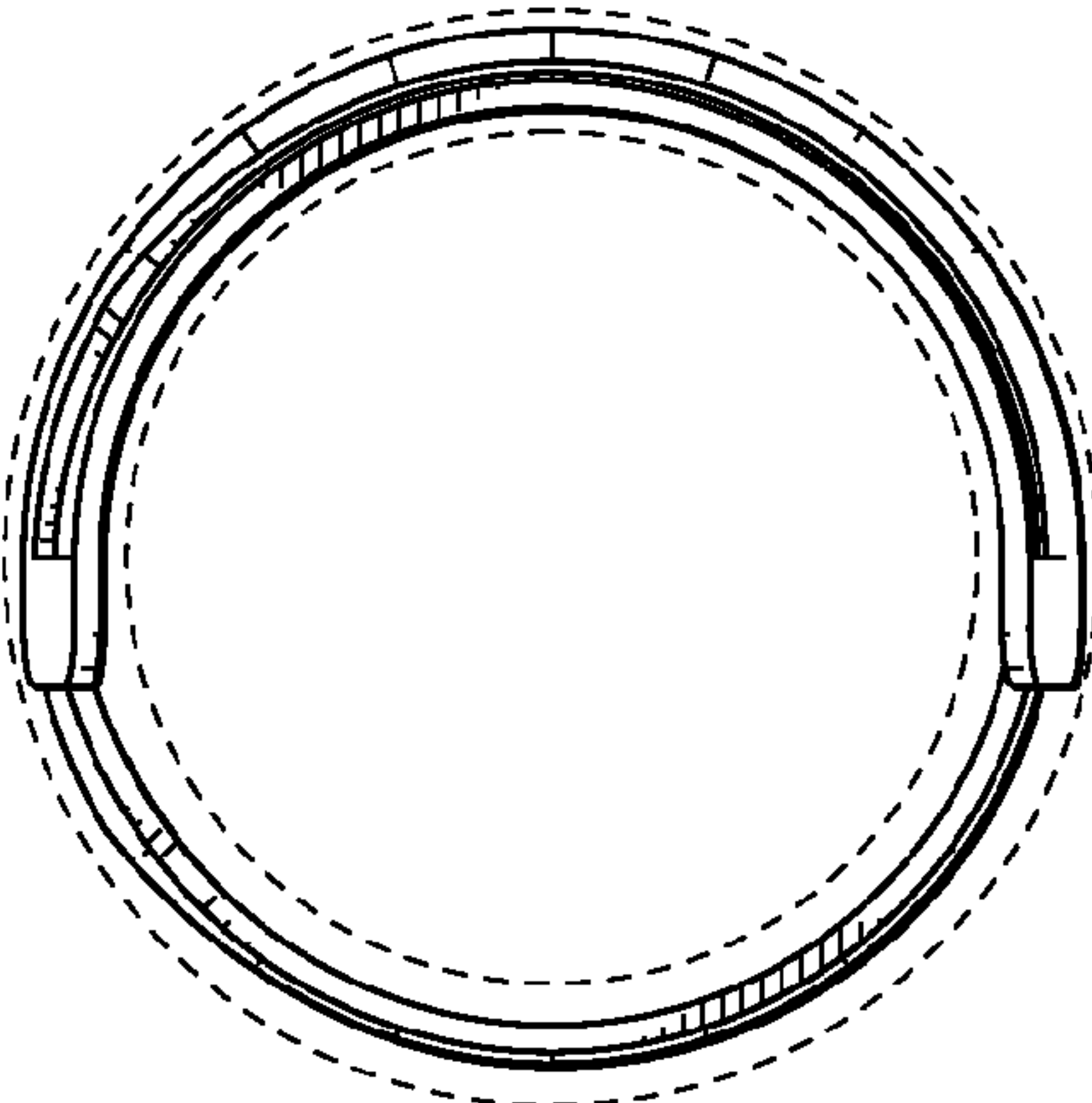


FIG. 7

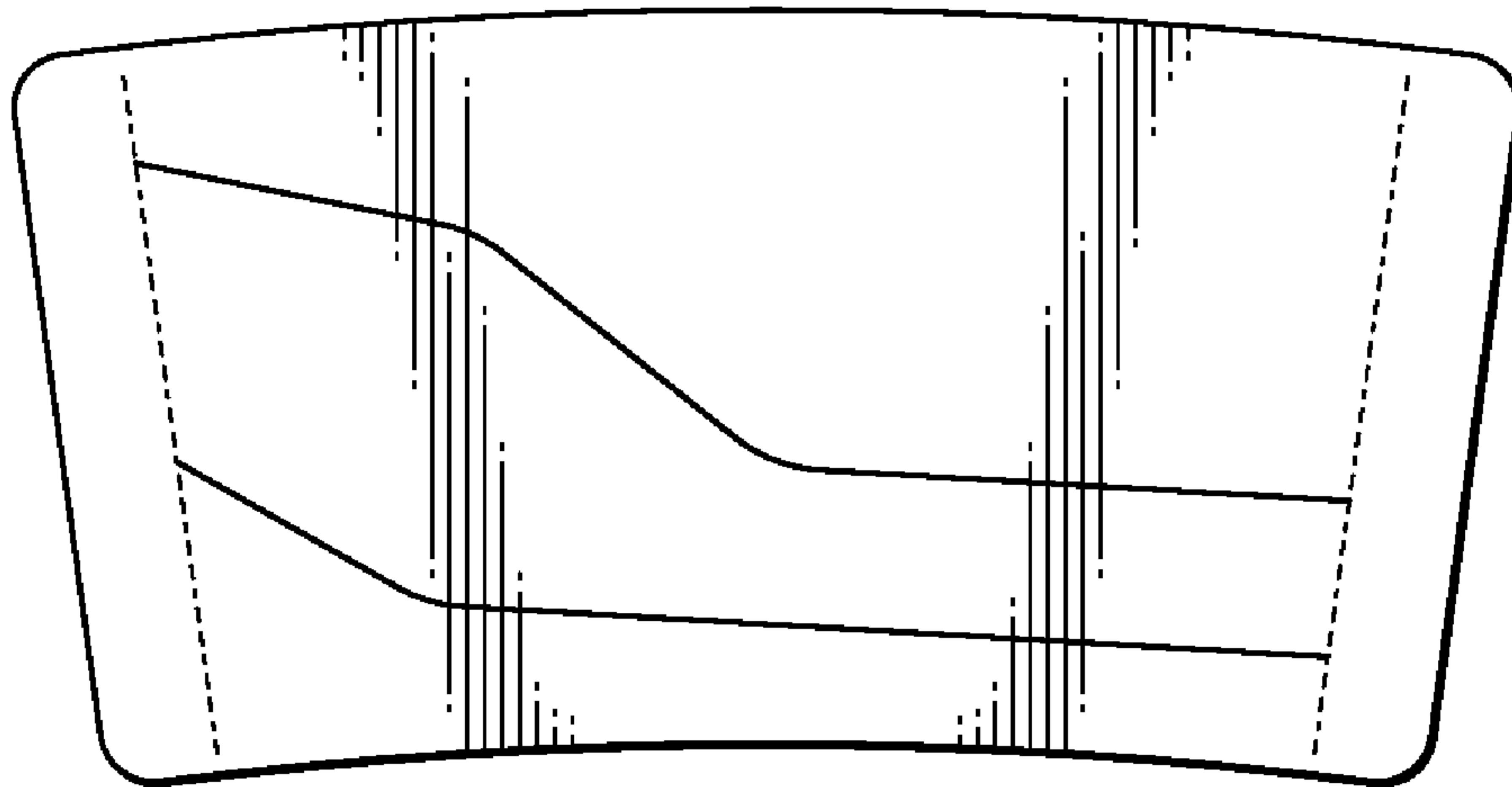


FIG. 8