



US00D634584S

(12) **United States Design Patent**  
**Bergkvist**

(10) **Patent No.:** **US D634,584 S**  
(45) **Date of Patent:** **\*\* Mar. 22, 2011**

(54) **TRAY**  
(75) Inventor: **Håkan Bergkvist**, Bromma (SE)  
(73) Assignee: **BabyBjörn AB**, Solna (SE)  
(\*\*) Term: **14 Years**  
(21) Appl. No.: **29/371,072**  
(22) Filed: **Oct. 8, 2010**

5,497,885 A \* 3/1996 Sussman ..... 206/563  
D373,933 S \* 9/1996 Gibbs, III ..... D7/555  
D399,095 S \* 10/1998 Schmidt ..... D7/553.2  
D426,110 S \* 6/2000 Schmidt ..... D7/553.4  
6,305,532 B1 \* 10/2001 Overkamp ..... 206/217  
D479,439 S \* 9/2003 Joss et al. .... D7/553.4  
D573,940 S \* 7/2008 Heneghan et al. .... D12/425  
D576,449 S \* 9/2008 Boudewijns ..... D7/553.5  
D592,014 S \* 5/2009 Bizzell et al. .... D7/553.4  
D595,094 S \* 6/2009 Vernes et al. .... D7/553.4  
D606,774 S \* 12/2009 Kohli ..... D6/406.6  
D620,260 S \* 7/2010 Emmert ..... D3/313  
D623,902 S \* 9/2010 Henderson et al. .... D7/553.2

\* cited by examiner

(30) **Foreign Application Priority Data**

Apr. 12, 2010 (EM) ..... 001693805-0001

(51) **LOC (9) Cl.** ..... **07-01**  
(52) **U.S. Cl.** ..... **D7/553.7**  
(58) **Field of Classification Search** ..... D7/505,  
D7/549, 552.2, 555, 553.1–553.5, 553.7;  
D6/406.1, 491, 511, 338, 406.5; D3/304;  
D9/736, 749; 206/562–565, 217; 220/555  
See application file for complete search history.

*Primary Examiner* — Elizabeth A Albert

*Assistant Examiner* — Kelley A Donnelly

(74) *Attorney, Agent, or Firm* — Jacobson Holman PLLC

(57) **CLAIM**

The ornamental design for a tray, as shown and described.

**DESCRIPTION**

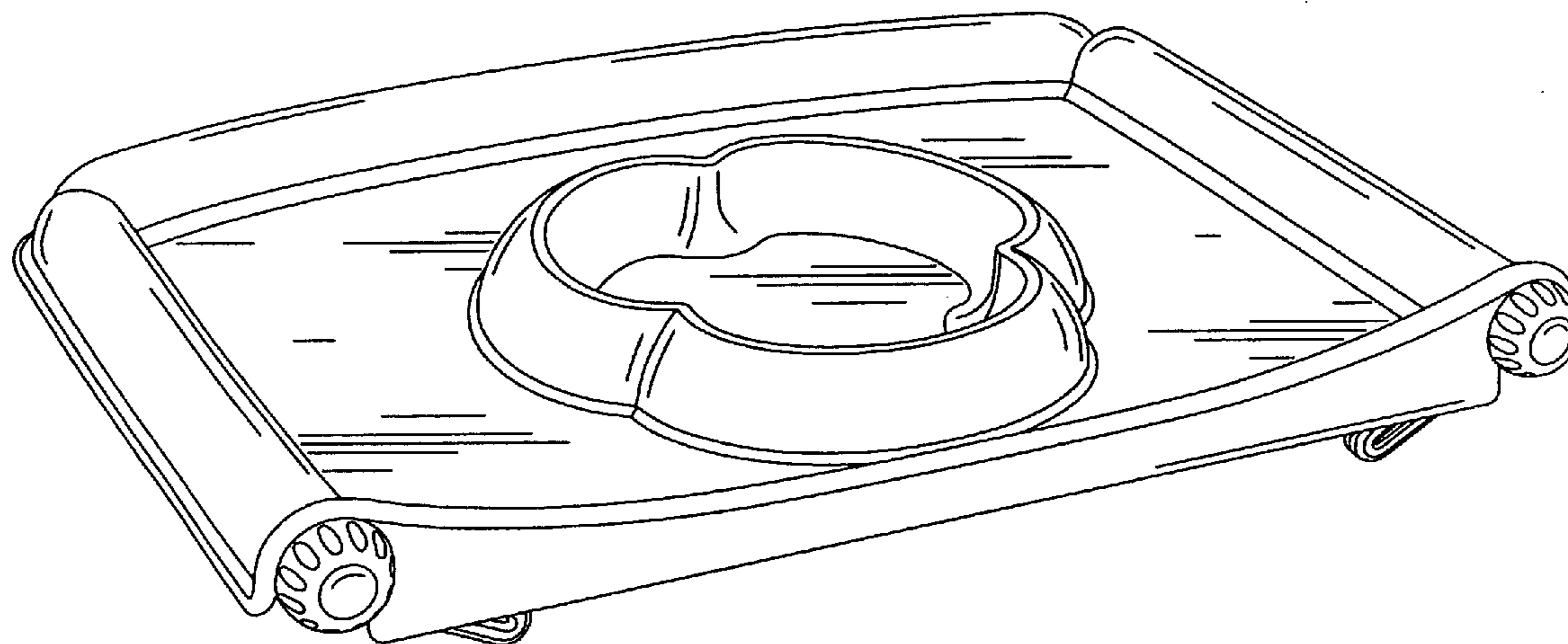
FIG. 1 is a top perspective view showing my new design for a tray,  
FIG. 2 is a bottom perspective view thereof,  
FIG. 3 is a top view thereof,  
FIG. 4 is a bottom view thereof,  
FIG. 5 is a front view thereof,  
FIG. 6 is a rear view thereof; and,  
FIG. 7 is a left side view thereof, the opposite side being a mirror image thereof.

**1 Claim, 7 Drawing Sheets**

(56) **References Cited**

**U.S. PATENT DOCUMENTS**

D311,662 S \* 10/1990 Lorenzana et al. .... D7/505  
D311,828 S \* 11/1990 Clark et al. .... D6/406.5  
D326,798 S \* 6/1992 Grossman et al. .... D7/549  
D326,962 S \* 6/1992 Mowry et al. .... D6/406.6  
5,145,090 A \* 9/1992 Wyatt ..... 220/592.25  
D363,857 S \* 11/1995 Sussman ..... D7/552.2  
D366,395 S \* 1/1996 Wyatt et al. .... D7/552.2



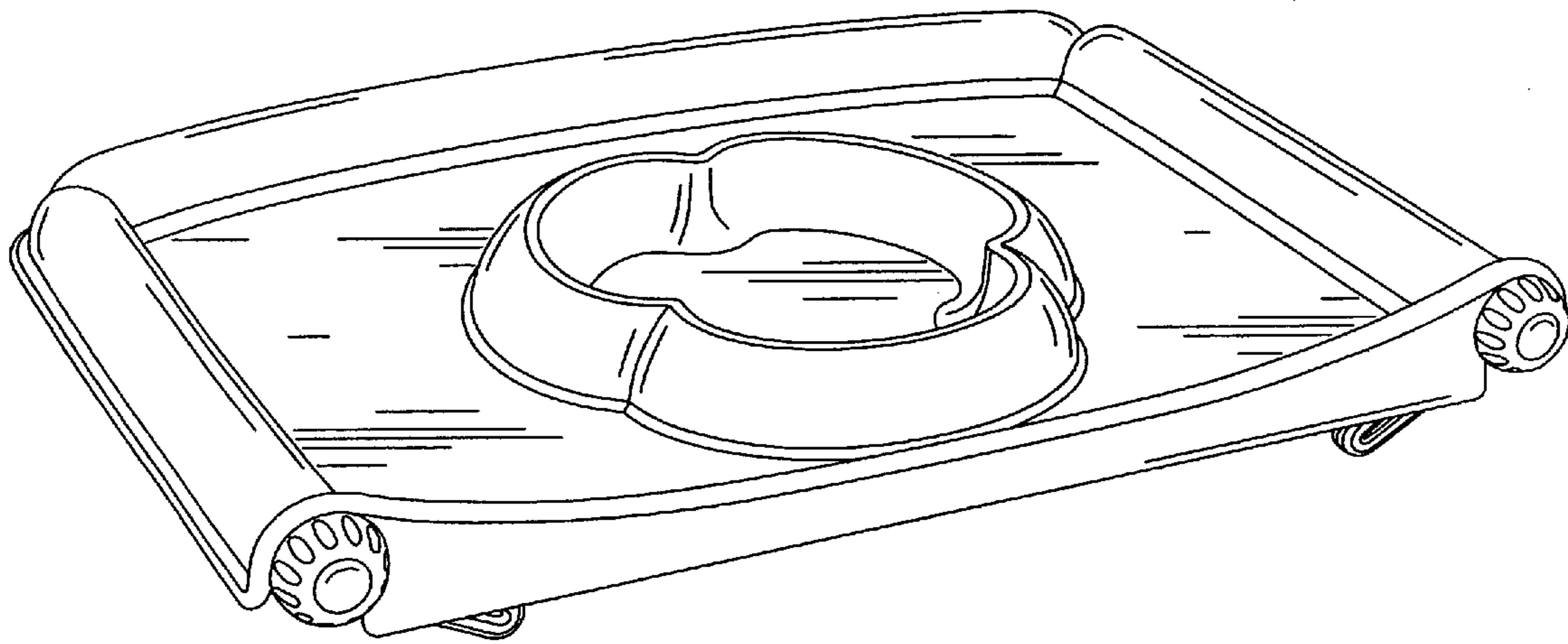


FIGURE 1

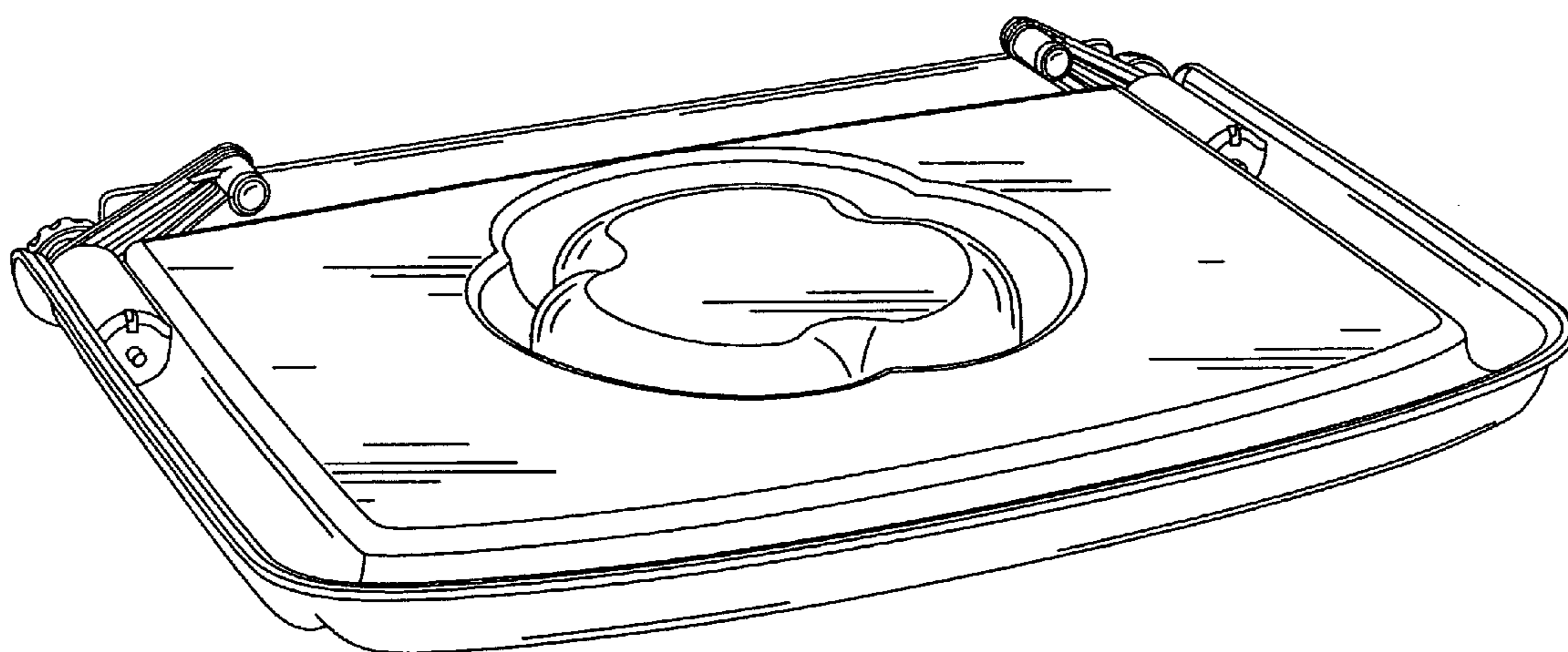


FIGURE 2

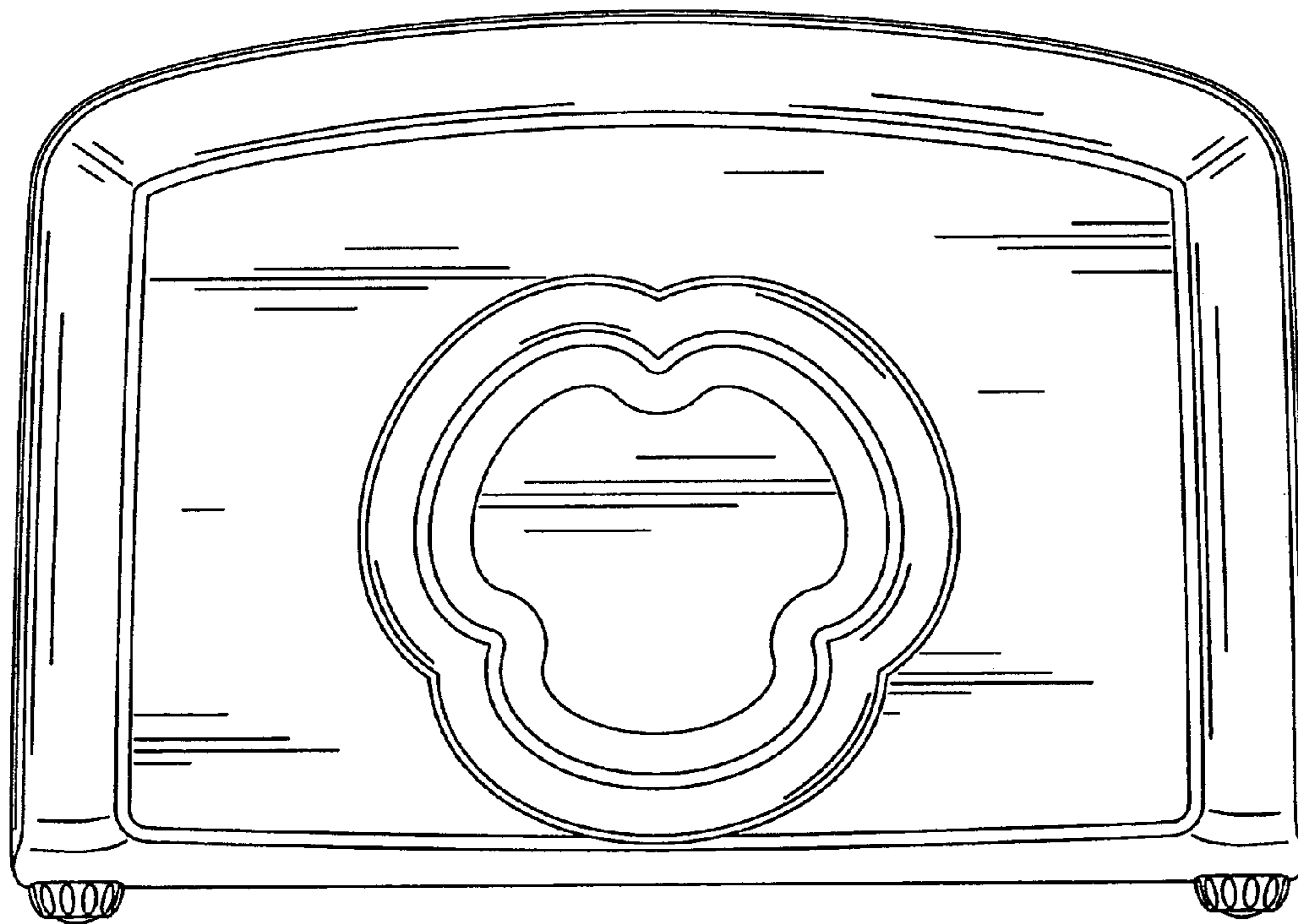


FIGURE 3

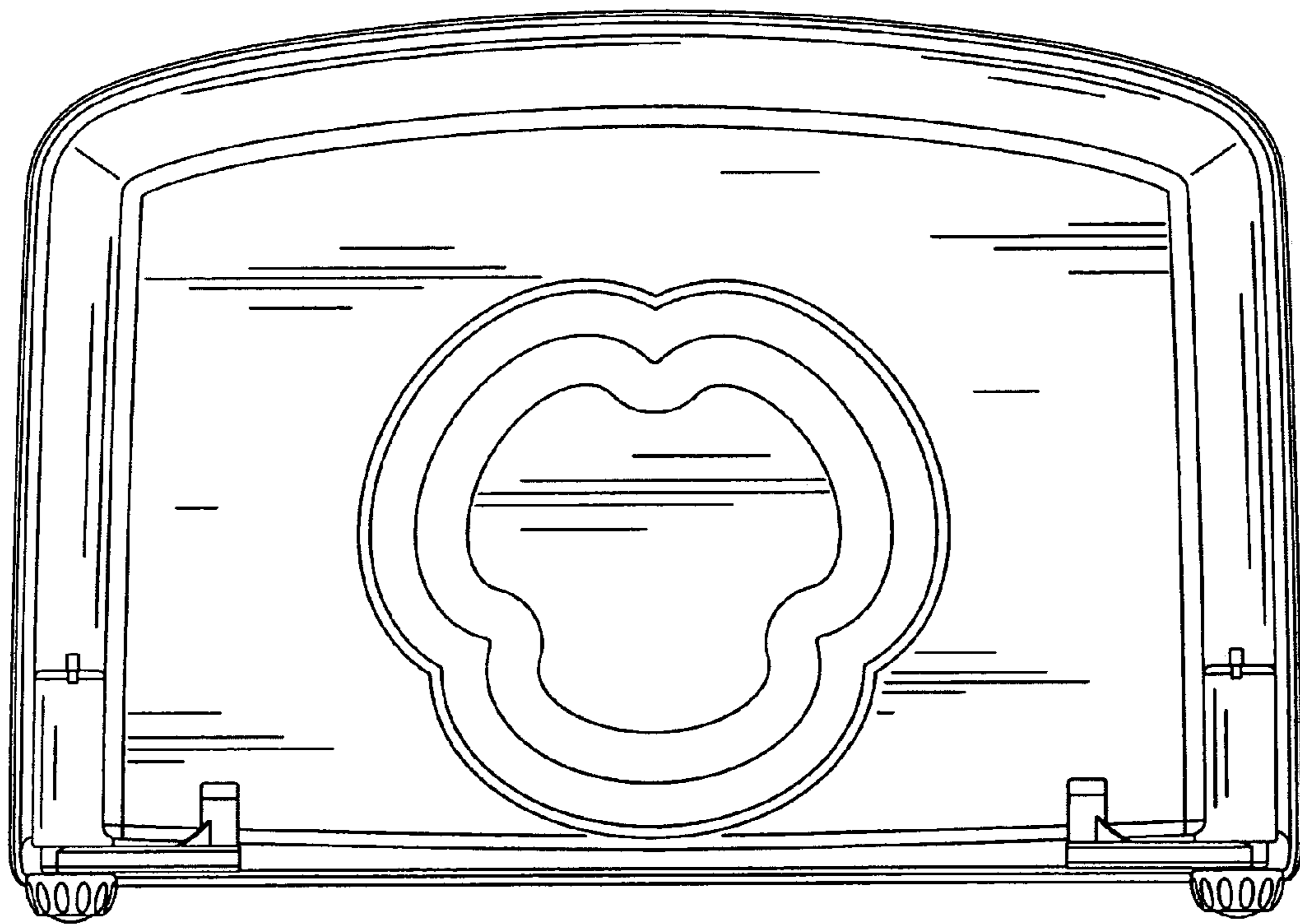


FIGURE 4

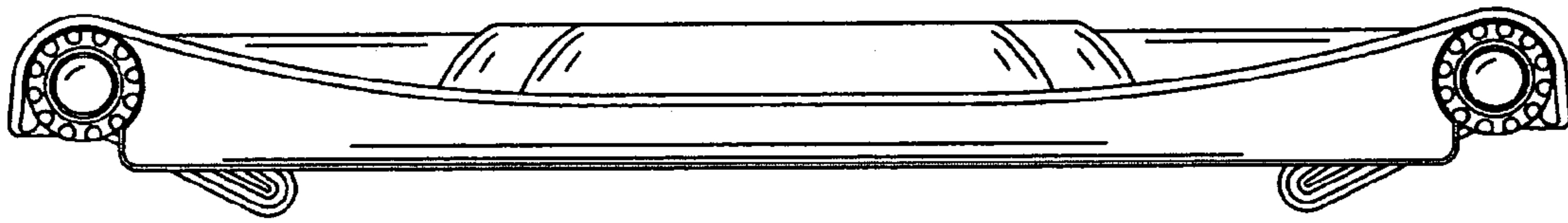


FIGURE 5



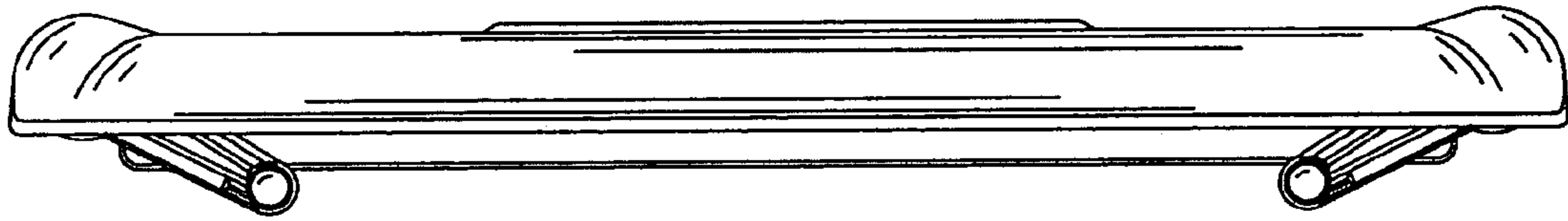


FIGURE 6

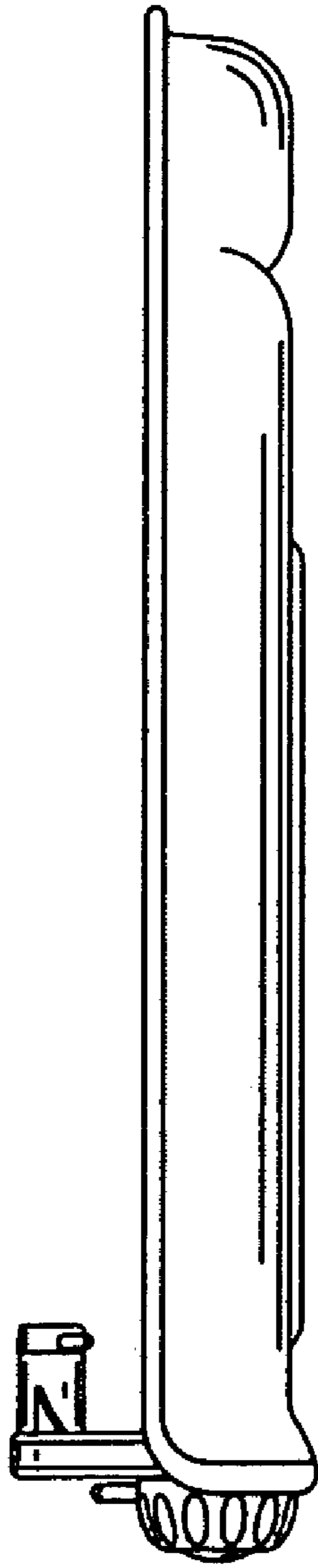


FIGURE 7