

US00D634582S

(12) **United States Design Patent**
Holscher

(10) **Patent No.:** **US D634,582 S**
(45) **Date of Patent:** **** Mar. 22, 2011**

- (54) **DRINKING GLASS**
- (75) Inventor: **Knud Holscher**, Holte (DK)
- (73) Assignee: **Pi-Design AG**, Triengen (CH)
- (**) Term: **14 Years**
- (21) Appl. No.: **29/369,261**
- (22) Filed: **Sep. 3, 2010**

Related U.S. Application Data

- (62) Division of application No. 29/341,858, filed on Aug. 13, 2009, now Pat. No. Des. 626,787.

Foreign Application Priority Data

- (30) Mar. 10, 2009 (WO) DM/071 448
- (51) **LOC (9) Cl.** **07-01**
- (52) **U.S. Cl.** **D7/532; D7/523**
- (58) **Field of Classification Search** D7/509–511,
D7/523, 533, 536, 608, 532; D9/502, 504;
220/592.16, 715, 669; 215/315, 382, 373,
215/384; 229/400, 403; D11/152
See application file for complete search history.

References Cited

U.S. PATENT DOCUMENTS

D96,731 S *	9/1935	Dougherty	D7/532
D107,986 S *	1/1938	Fuerst	D7/523
D107,991 S *	1/1938	Smith	D7/532
D107,994 S *	1/1938	Hansen	D7/532
D108,421 S *	2/1938	Brill	D7/532
D108,788 S *	3/1938	Kostellow	D7/523
D108,957 S *	3/1938	Achenbach	D7/532
D113,385 S *	2/1939	Jones	D7/532
D120,134 S *	4/1940	Morrison	D7/532
D122,393 S *	9/1940	Dreitzer	D7/523
D124,317 S *	12/1940	Lundy	D7/532
D234,110 S *	1/1975	Achenbach	D7/532

D244,502 S *	5/1977	Harbaugh et al.	D7/532
D282,134 S *	1/1986	Durand	D7/523
D282,997 S *	3/1986	Miller	D7/523
D437,185 S *	2/2001	Freed	D7/510
D462,238 S *	9/2002	Wyche	D7/523
D462,576 S *	9/2002	Janky	D7/510
D463,715 S *	10/2002	Dretzka	D7/523
D468,588 S *	1/2003	Norris et al.	D7/532
D472,427 S *	4/2003	Dretzka	D7/523
D479,669 S *	9/2003	Norris et al.	D7/532
D480,916 S *	10/2003	Norris et al.	D7/532
D502,365 S *	3/2005	Dretzka	D7/523
D503,072 S *	3/2005	Norris et al.	D7/532
D503,073 S *	3/2005	Lapsker	D7/532
D503,074 S *	3/2005	Norris et al.	D7/532
D572,083 S *	7/2008	Tien	D7/510
D614,917 S *	5/2010	Calco	D7/509

OTHER PUBLICATIONS

So Long glasses, Bodum catalog 2006/2007, pp. 150-151.

* cited by examiner

Primary Examiner — Marianne Pandozzi

(74) *Attorney, Agent, or Firm* — Sughrue Mion, PLLC

CLAIM

The ornamental design for drinking glass, as shown and described.

DESCRIPTION

FIG. 1 is a perspective view of a drinking glass showing my new design;
 FIG. 2 is a right side elevation view thereof
 FIG. 3 is a left side elevation view thereof;
 FIG. 4 is a front elevation view thereof;
 FIG. 5 is a rear elevation view thereof;
 FIG. 6 is a top view thereof;
 FIG. 7 is a bottom view thereof; and,
 FIG. 8 is a cross sectional view taken along line 8—8 of FIG. 6.

1 Claim, 8 Drawing Sheets

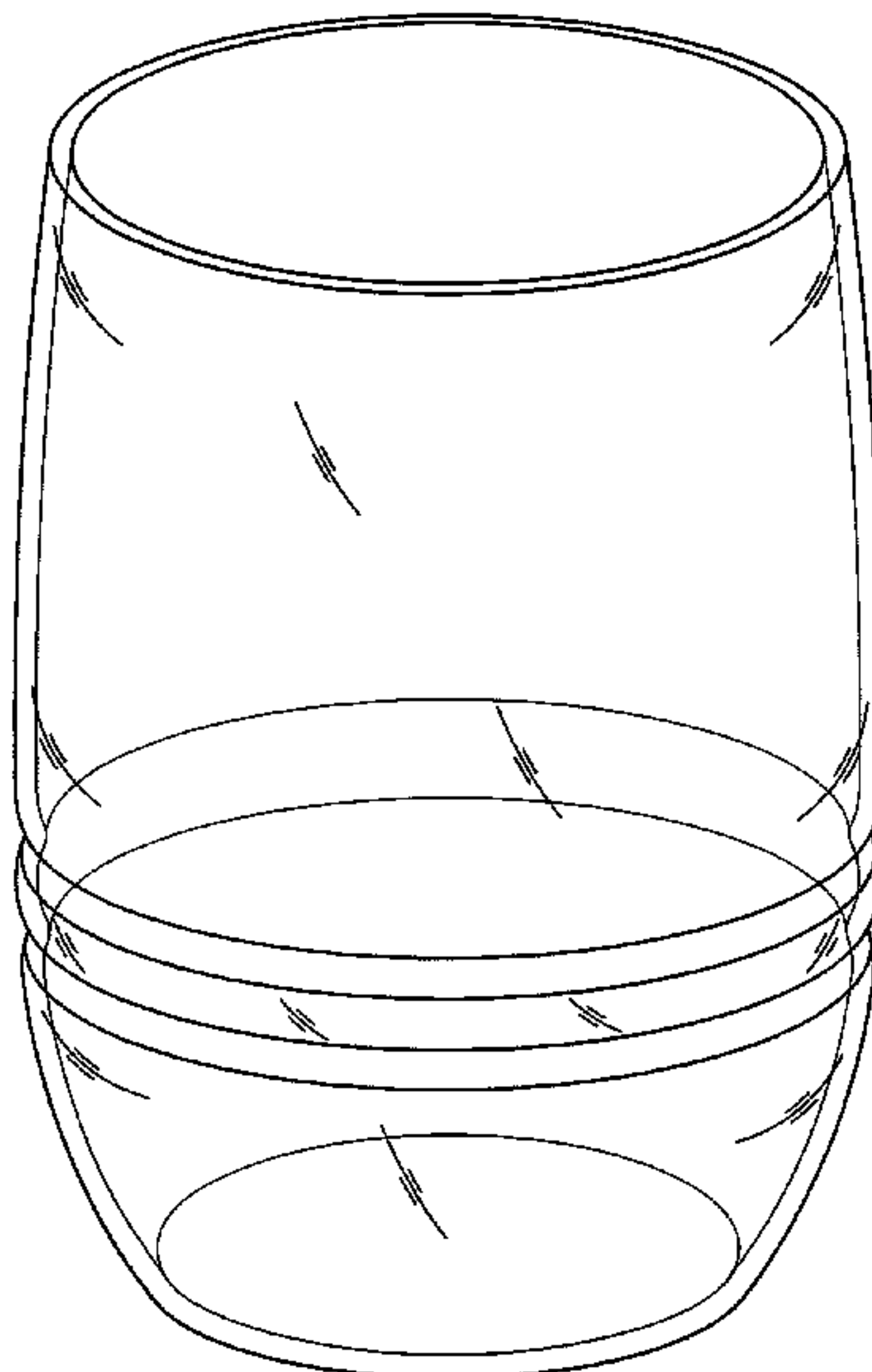


FIGURE 1

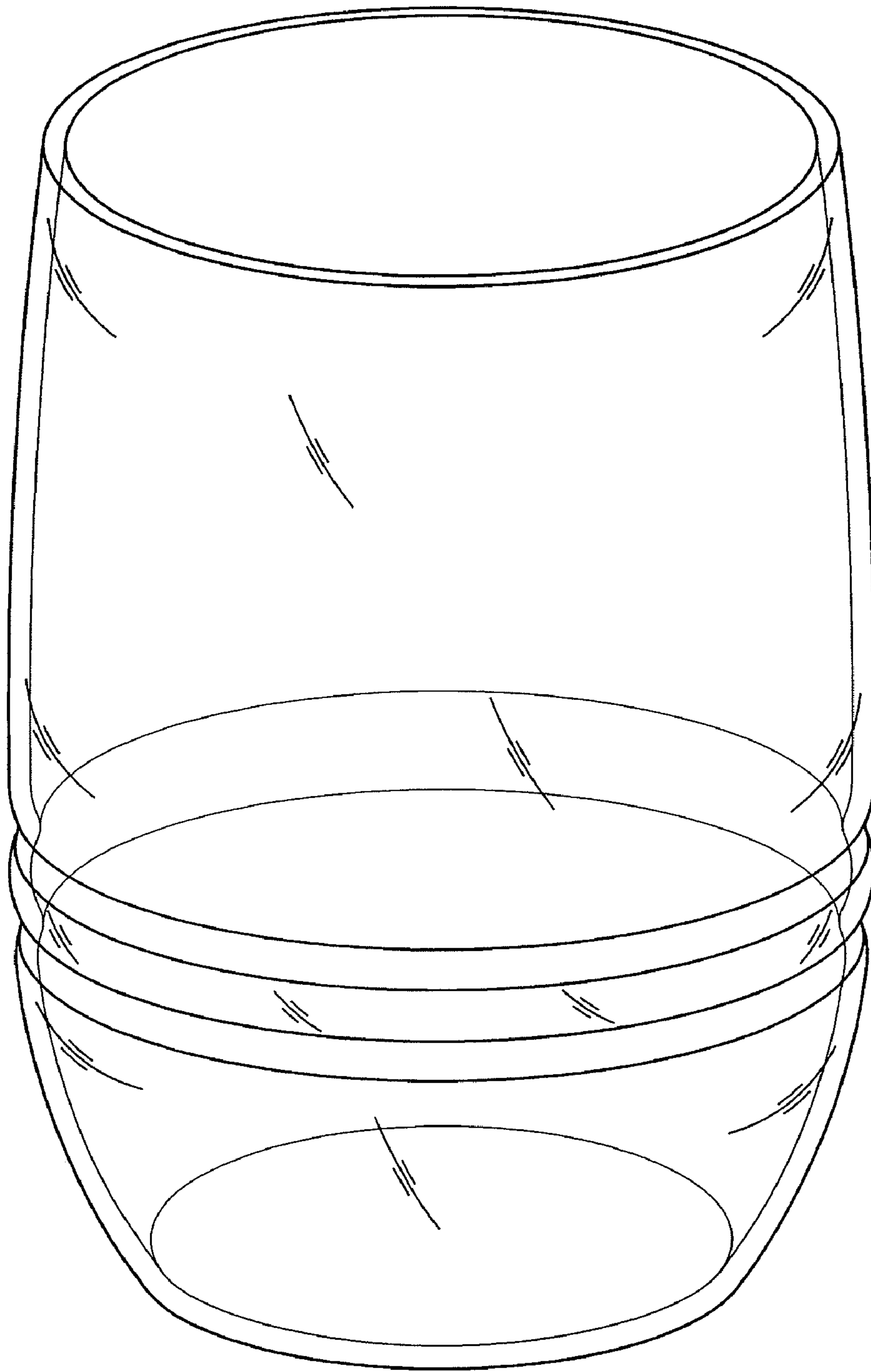


FIGURE 2

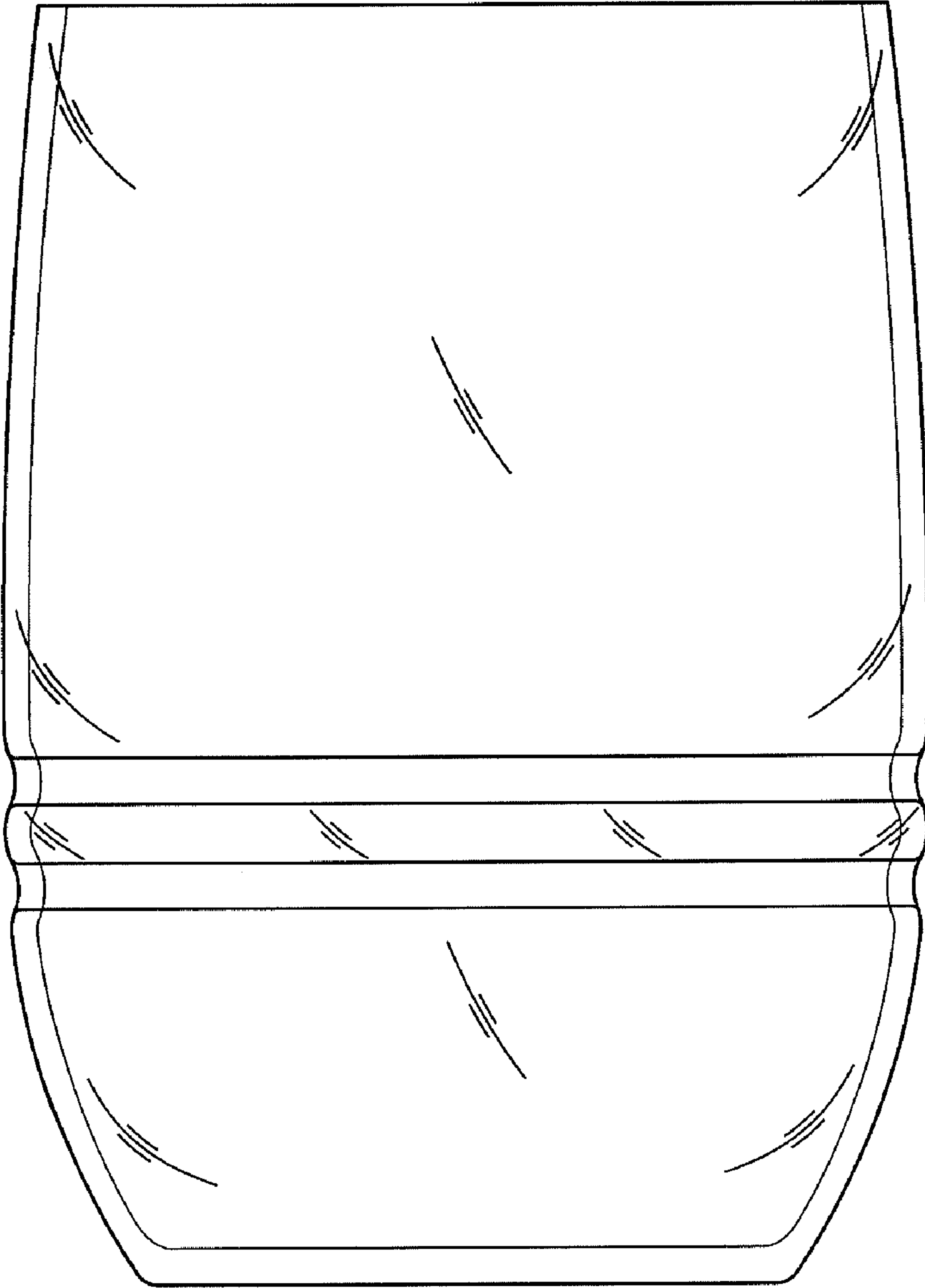


FIGURE 3

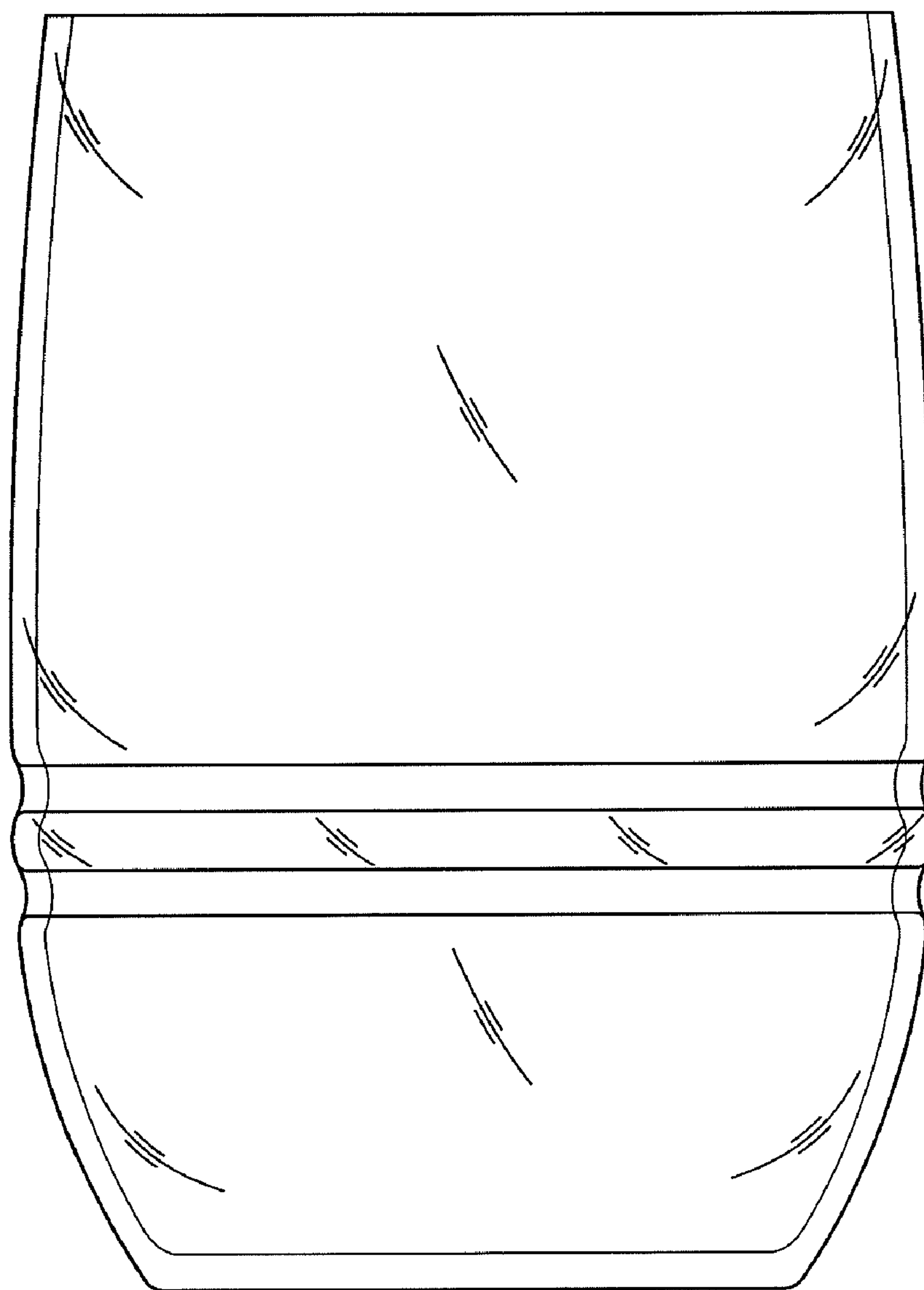


FIGURE 4

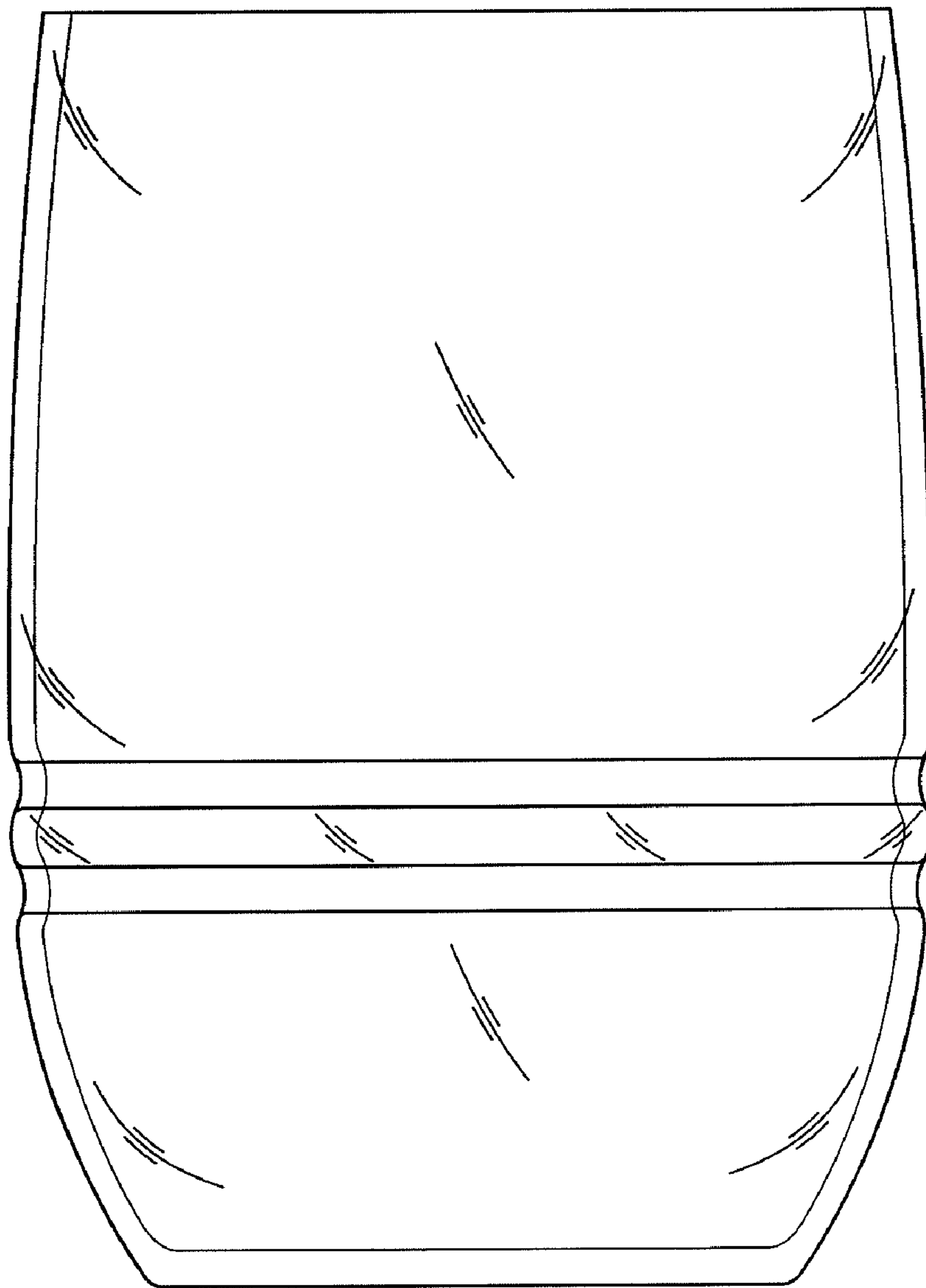


FIGURE 5

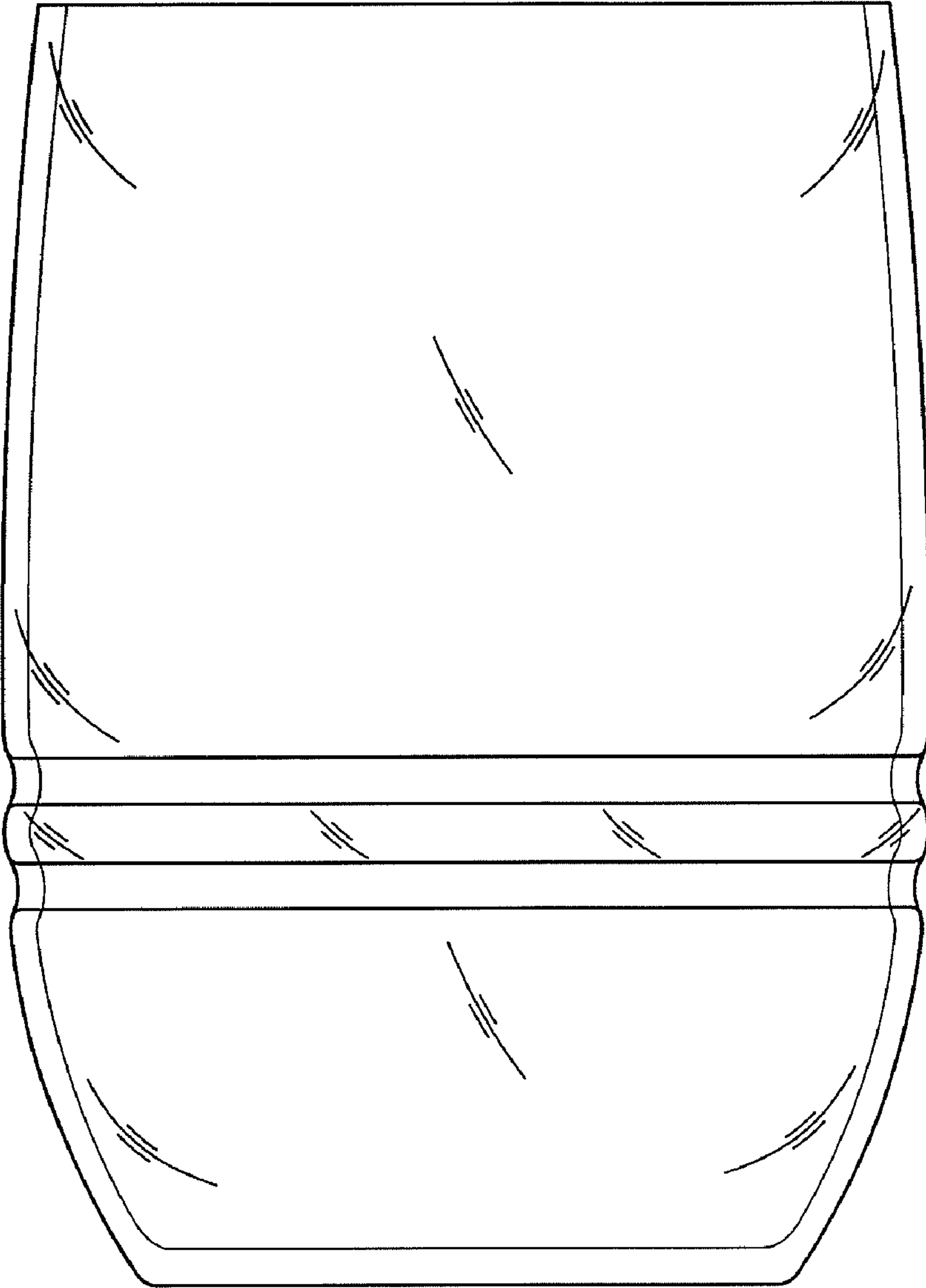


FIGURE 6

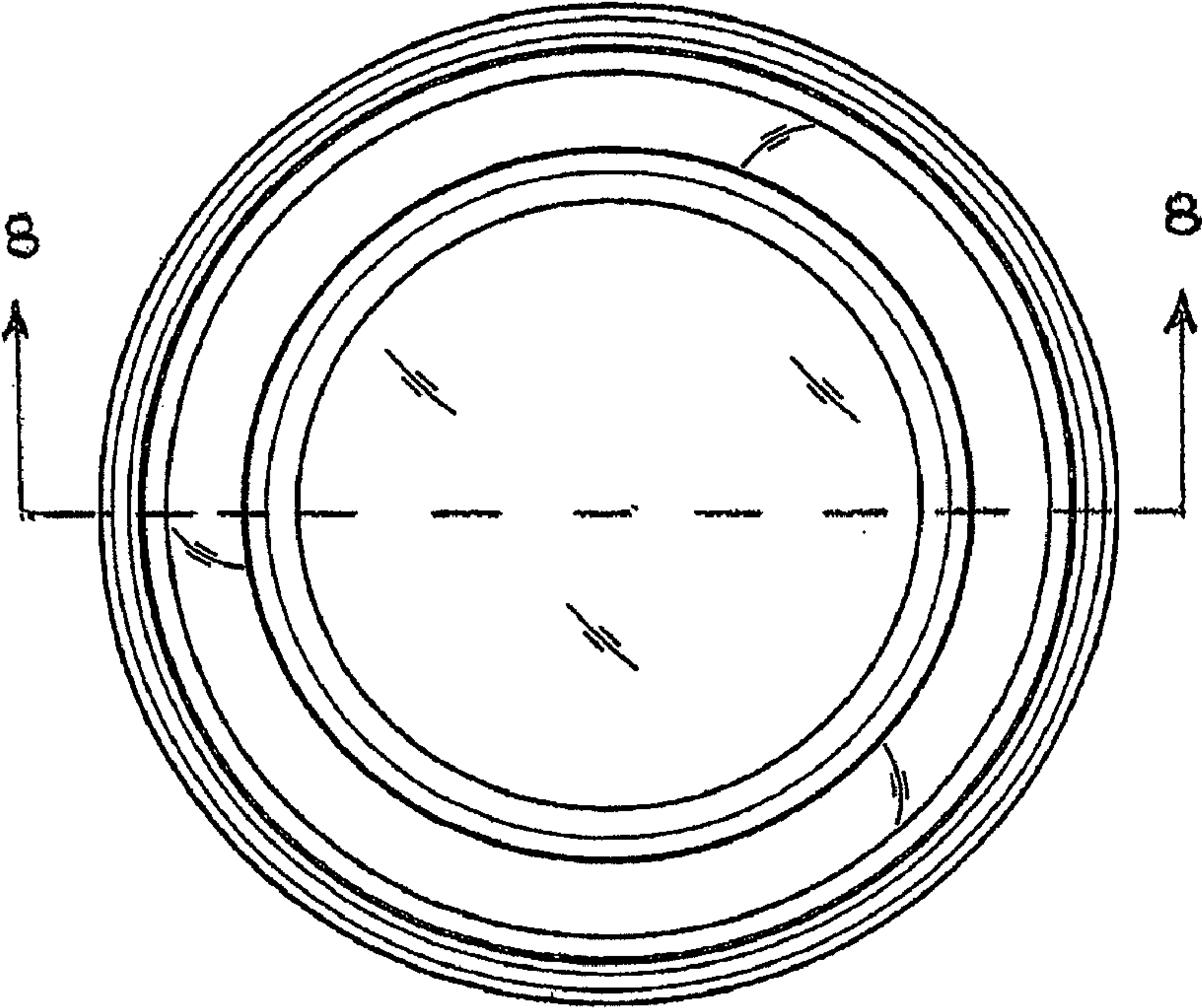


FIGURE 7

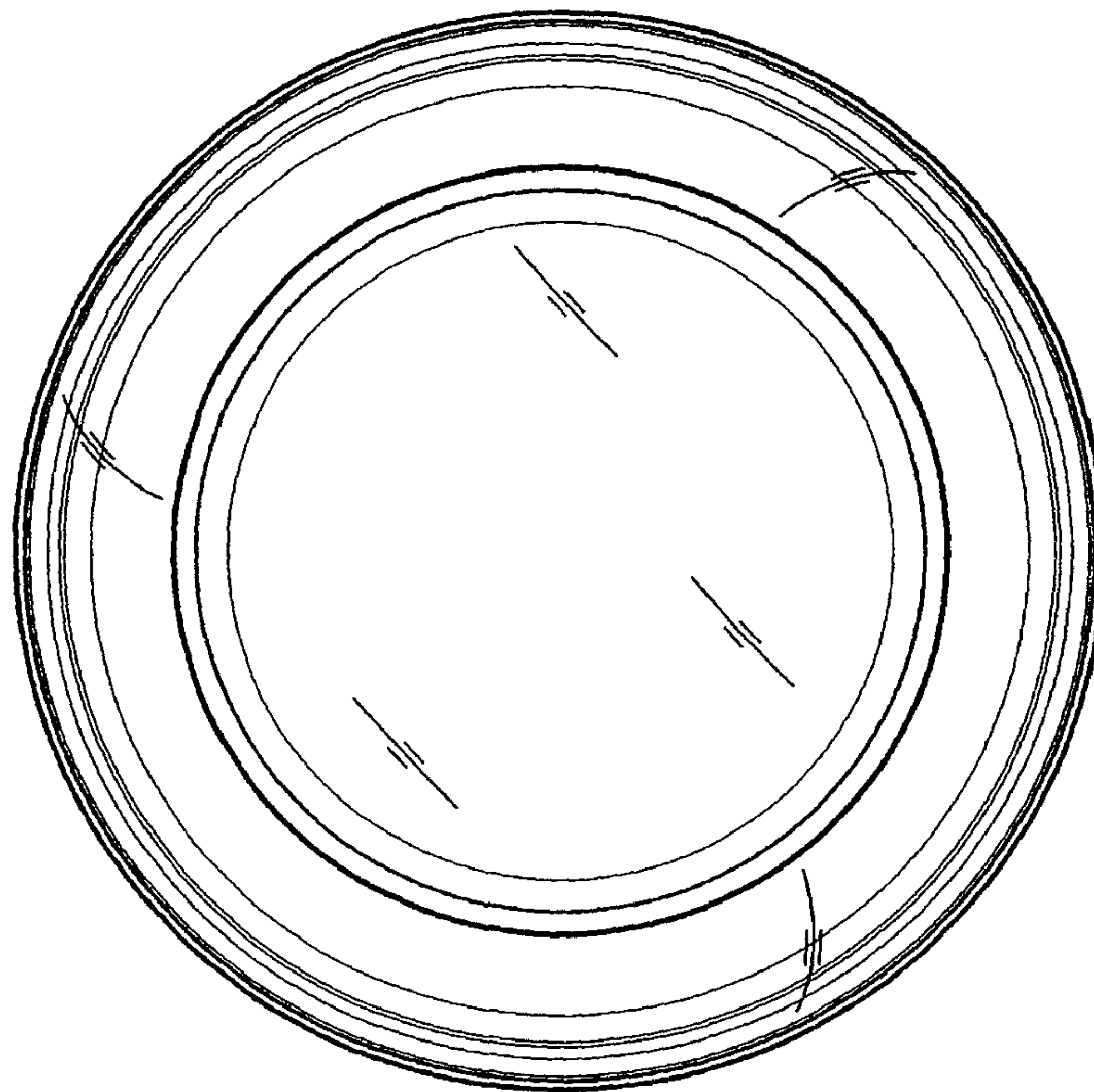


FIGURE 8

