



US00D634581S

(12) **United States Design Patent**
Burroughs et al.

(10) **Patent No.:** **US D634,581 S**
(45) **Date of Patent:** **** Mar. 22, 2011**

(54) **MARTINI BOTTLE**

(75) Inventors: **Dillon Burroughs**, Beverly Hills, CA (US); **Ed Gilcrest**, Oxford, CT (US); **Ken Benson**, Southbury, CT (US)

(73) Assignee: **Frontiersman, LLC**, Beverly Hills, CA (US)

(**) Term: **14 Years**

(21) Appl. No.: **29/377,607**

(22) Filed: **Oct. 22, 2010**

Related U.S. Application Data

(62) Division of application No. 29/359,451, filed on Apr. 12, 2010, now Pat. No. Des. 627,185.

(51) **LOC (9) Cl.** **07-01**

(52) **U.S. Cl.** **D7/507; D7/523**

(58) **Field of Classification Search** D7/300,
D7/300.1, 524, 537, 507, 510, 511, 505, 392.6,
D7/397; 99/277.1; 220/568, 375, 703, 508;
426/474; 215/6; 222/189.07

See application file for complete search history.

(56) **References Cited**

U.S. PATENT DOCUMENTS

1,751,315	A *	3/1930	Fox	220/568
2,258,524	A *	10/1941	Vigurs	210/467
3,218,447	A *	11/1965	Pardue	362/101
4,132,225	A *	1/1979	Whattam	600/576
D269,659	S *	7/1983	Holloway	D7/507
D348,802	S *	7/1994	Miller, III	D7/510
D378,975	S *	4/1997	Reid	D7/510
D429,603	S *	8/2000	Lipson	D7/507
7,225,920	B2 *	6/2007	Hoeffkes et al.	206/222
D550,083	S *	9/2007	Etheridge	D9/503
D563,724	S *	3/2008	Bodum	D7/524
D577,253	S *	9/2008	Bodum	D7/400
7,614,512	B2 *	11/2009	Nader	215/6
7,614,614	B2 *	11/2009	Sabadicci et al.	261/76
D604,984	S *	12/2009	Kalamaras	D7/300.1
D609,972	S *	2/2010	Reeser et al.	D7/536
D623,897	S *	9/2010	Ross	D7/523

* cited by examiner

Primary Examiner — Marianne Pandozzi

(74) *Attorney, Agent, or Firm* — DeLio & Peterson, LLC; Peter W. Peterson

(57) **CLAIM**

We claim the ornamental design for a martini bottle, as shown and described.

DESCRIPTION

FIG. 1 is a perspective view of a martini bottle showing my new design,

FIG. 2 is a top plan view of the martini bottle of this invention shown in FIG. 1;

FIG. 3 is a bottom plan view of the martini bottle of this invention shown in FIG. 1;

FIG. 4 is a front elevational view of the martini bottle of this invention shown in FIG. 1;

FIG. 5 is a rear elevational view of the martini bottle of this invention shown in FIG. 1;

FIG. 6 is a left side elevational view of the martini bottle of this invention shown in FIG. 1;

FIG. 7 is a right side elevational view of the martini bottle of this invention shown in FIG. 1;

FIG. 8 is a perspective view of a martini bottle showing a second embodiment of my new design;

FIG. 9 is a top plan view of the martini bottle of this invention shown in FIG. 8;

FIG. 10 is a bottom plan view of the martini bottle of this invention shown in FIG. 8;

FIG. 11 is a front elevational view of the martini bottle of this invention shown in FIG. 8;

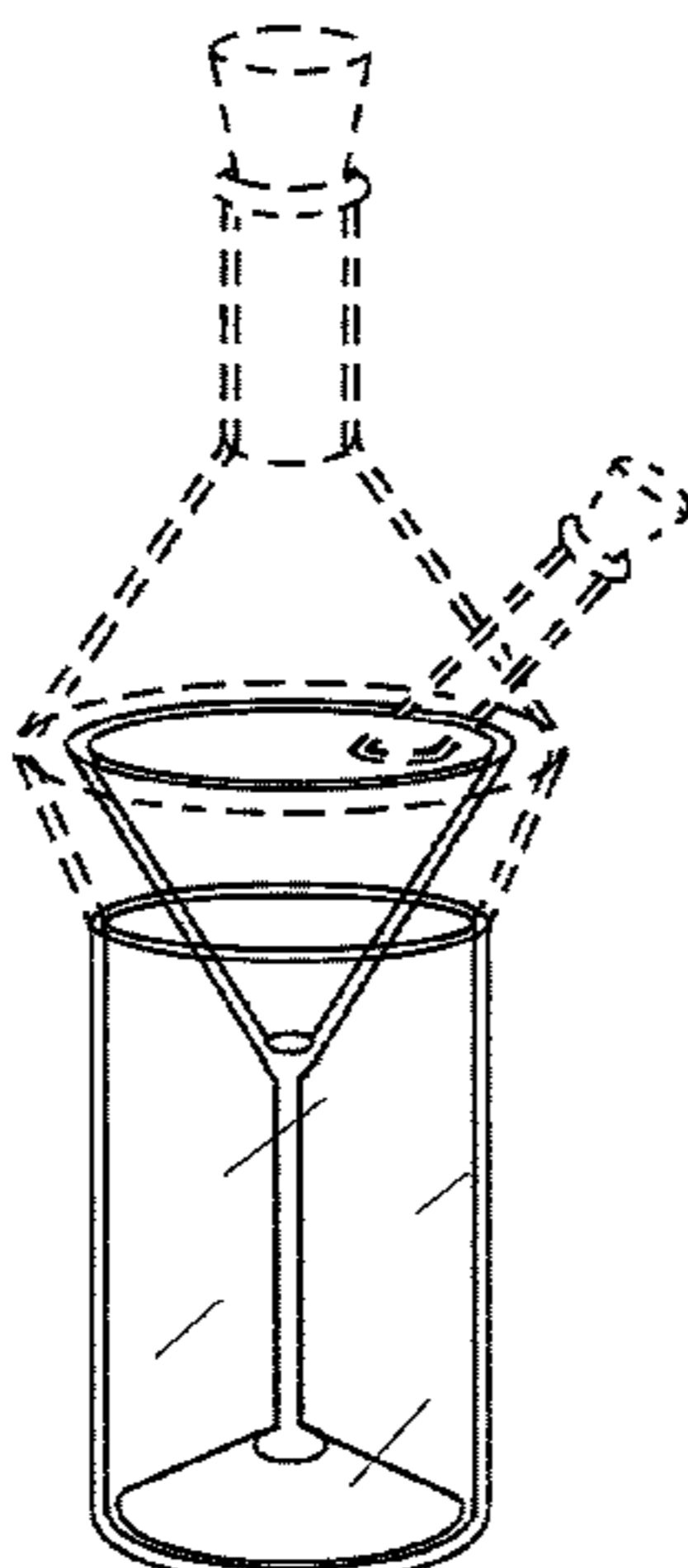
FIG. 12 is a rear elevational view of the martini bottle of this invention shown in FIG. 8;

FIG. 13 is a left side elevational view of the martini bottle of this invention shown in FIG. 8; and,

FIG. 14 is a right side elevational view of the martini bottle of this invention shown in FIG. 8.

The broken lines in the drawings are included for the purpose of illustration and form no part of the claimed design.

1 Claim, 4 Drawing Sheets



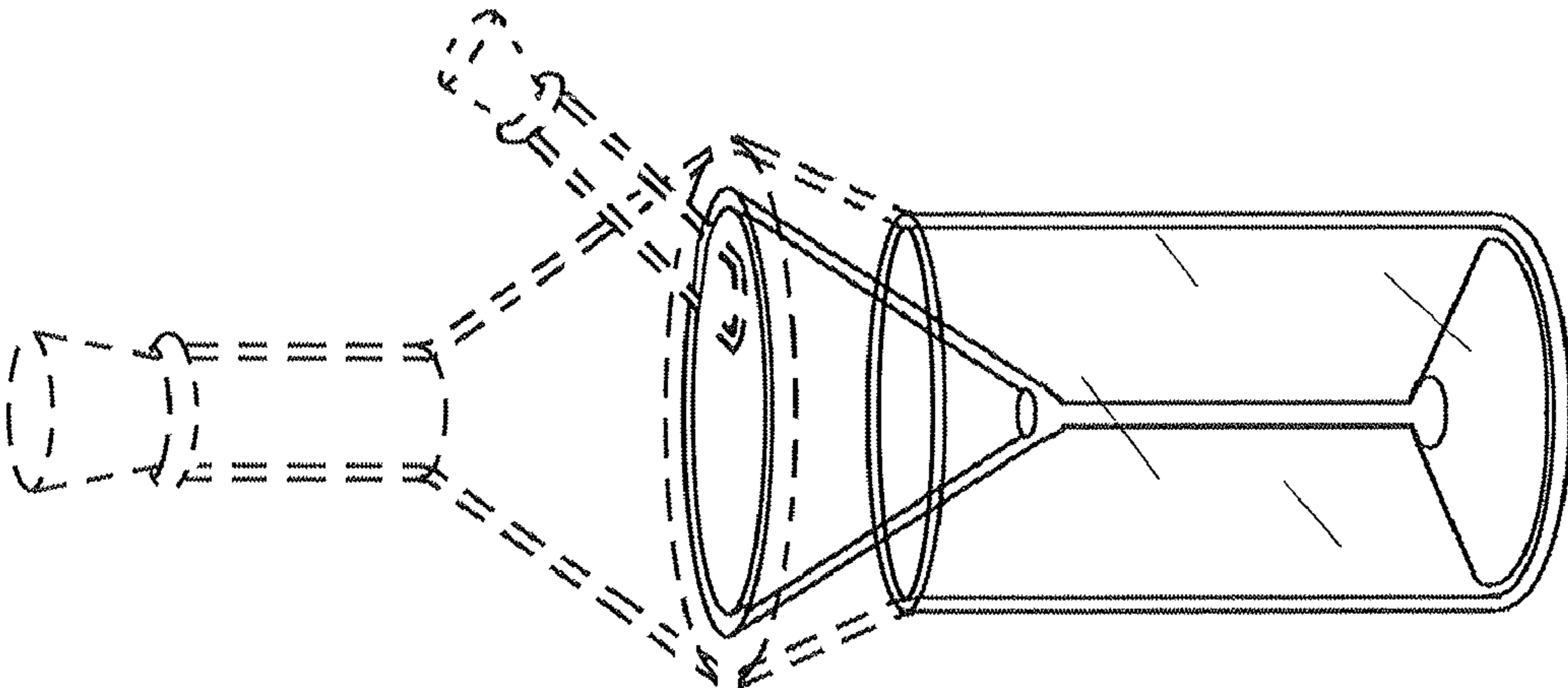


FIG. 1

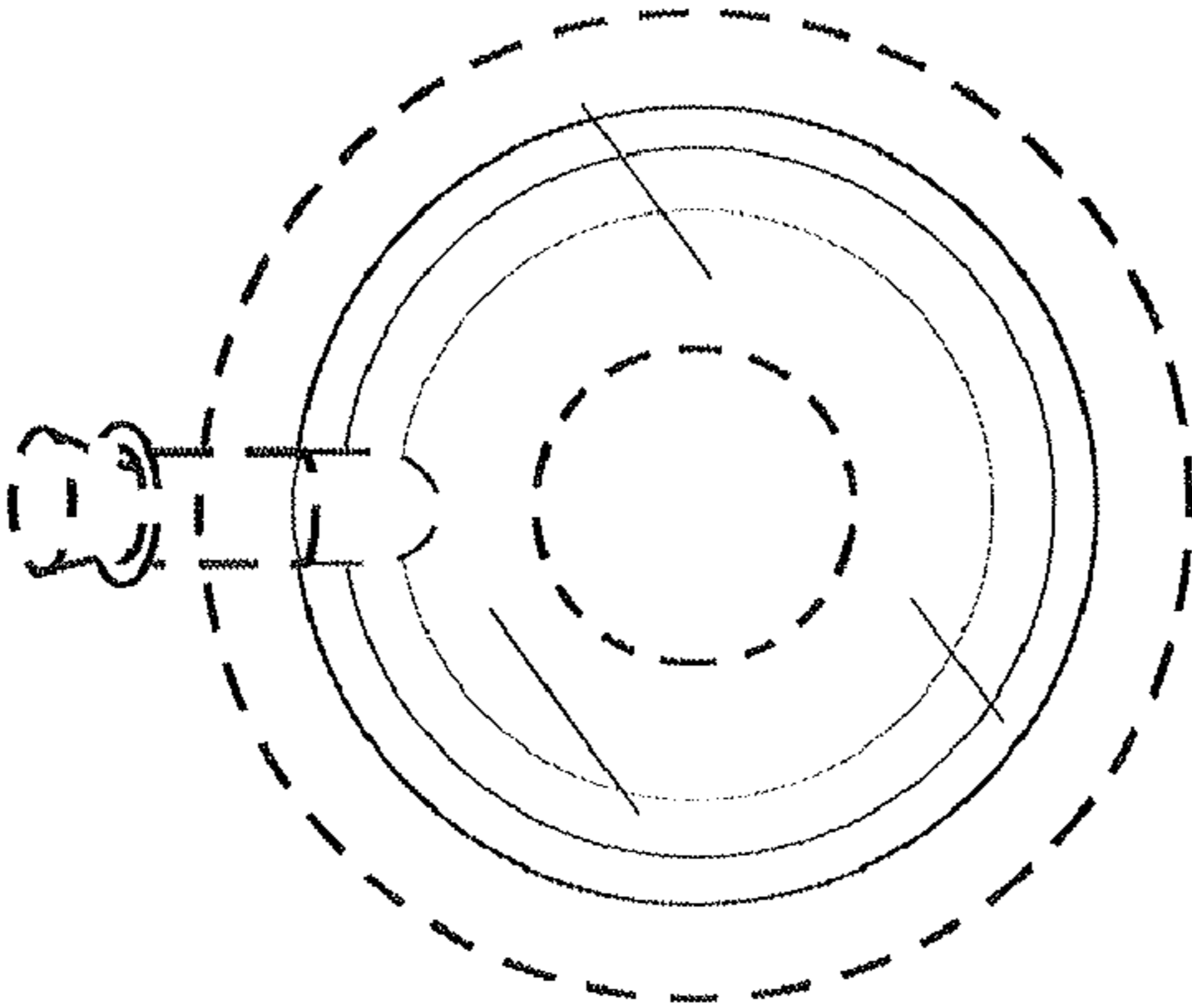


FIG. 2

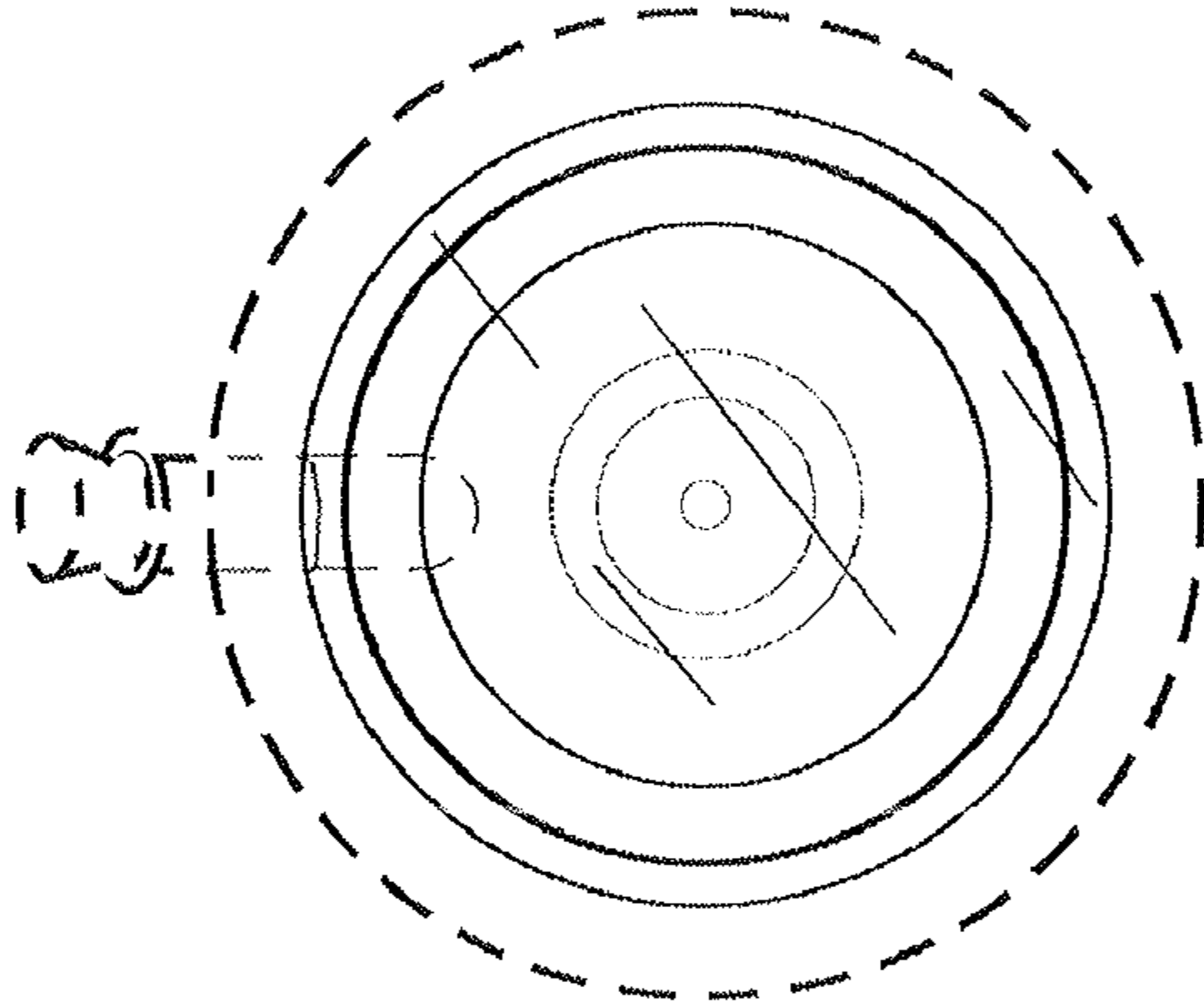


FIG. 3

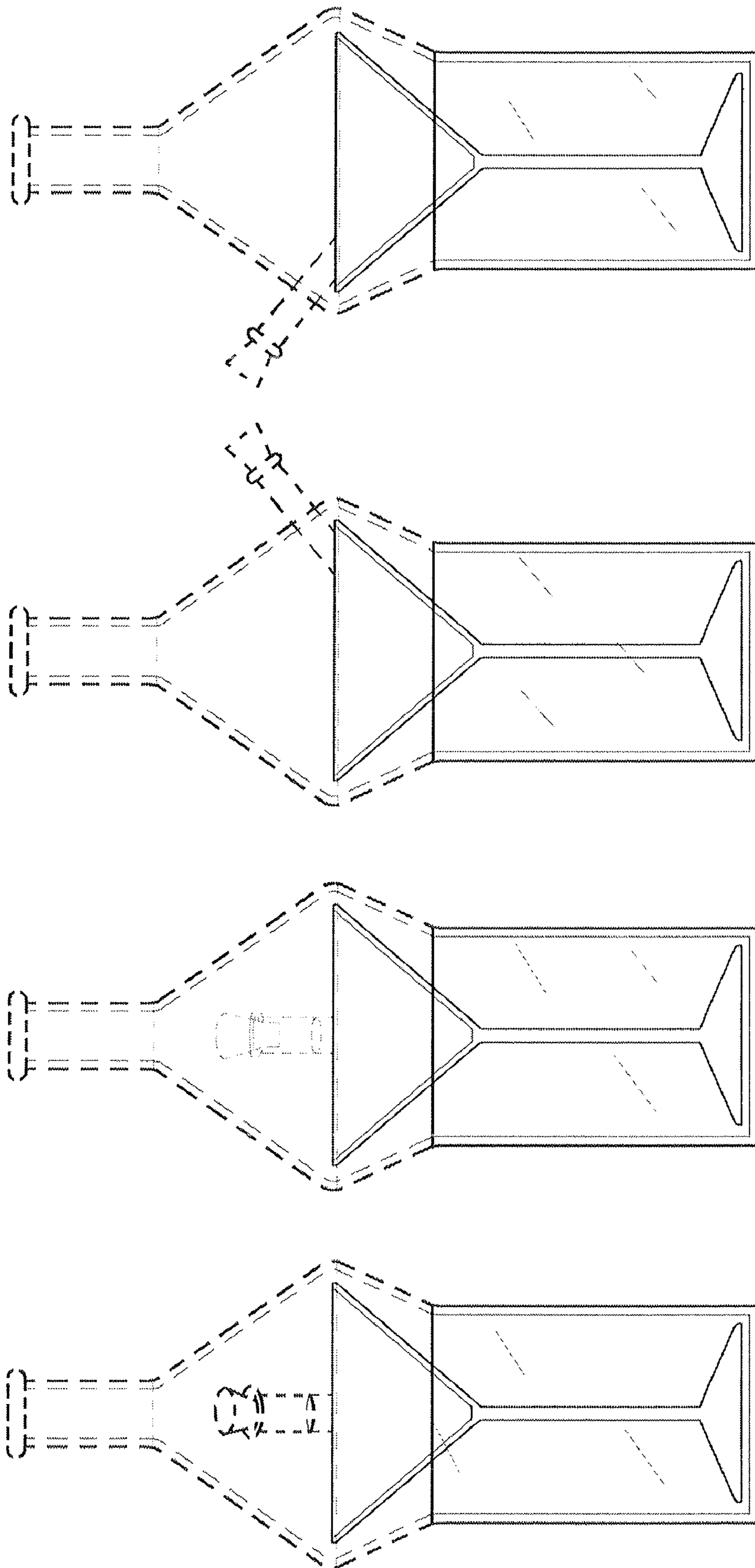


FIG. 7

FIG. 6

FIG. 5

FIG. 4

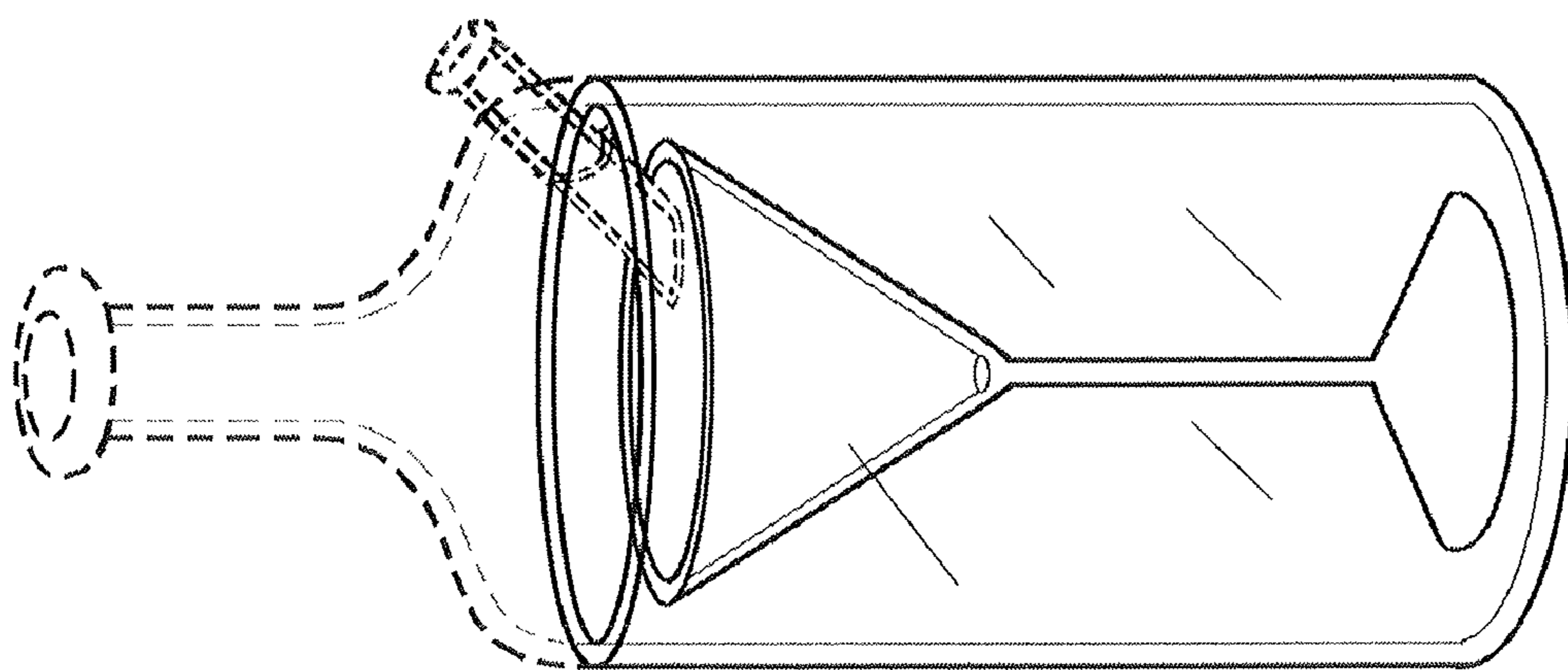


FIG. 8

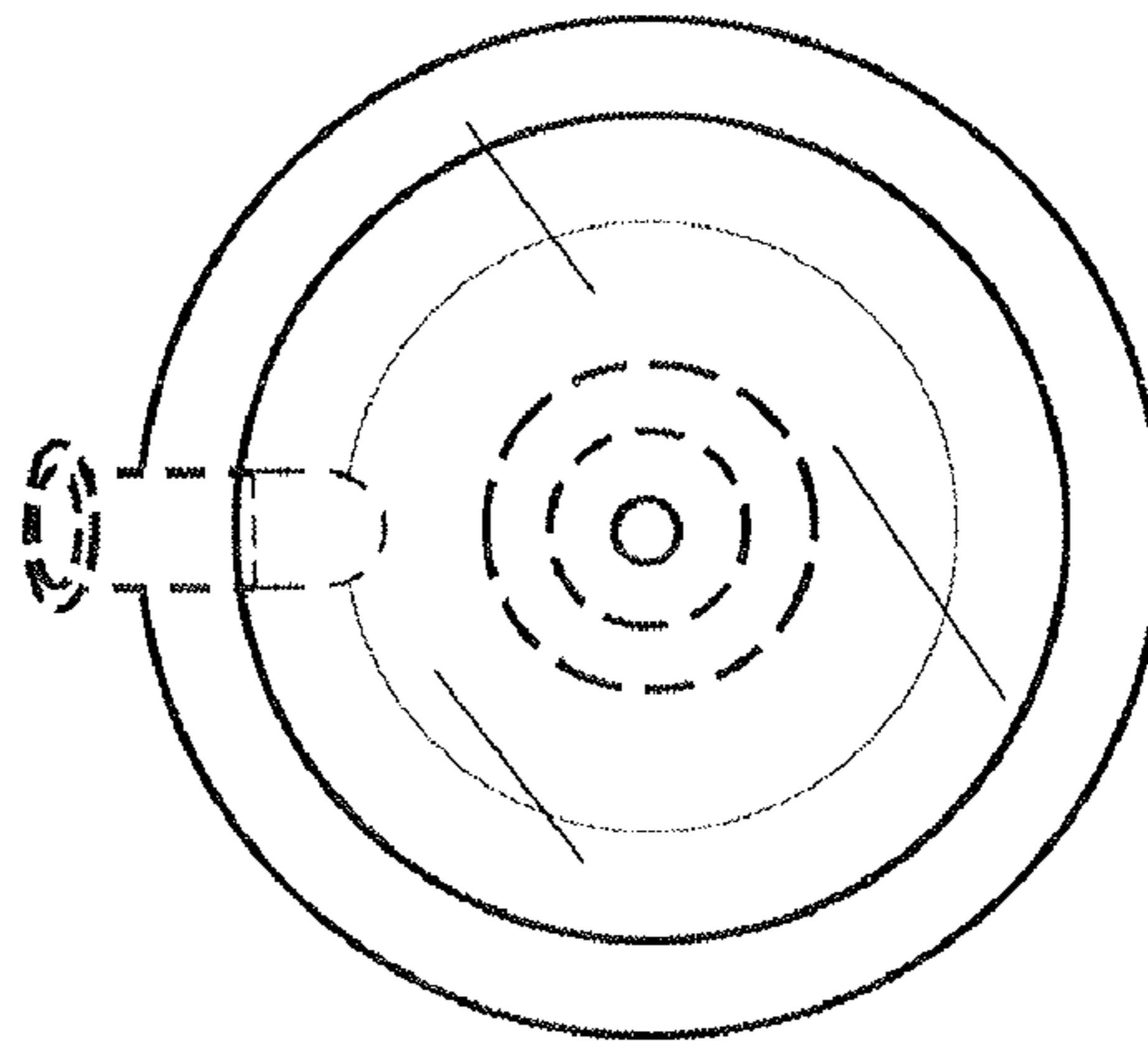


FIG. 9

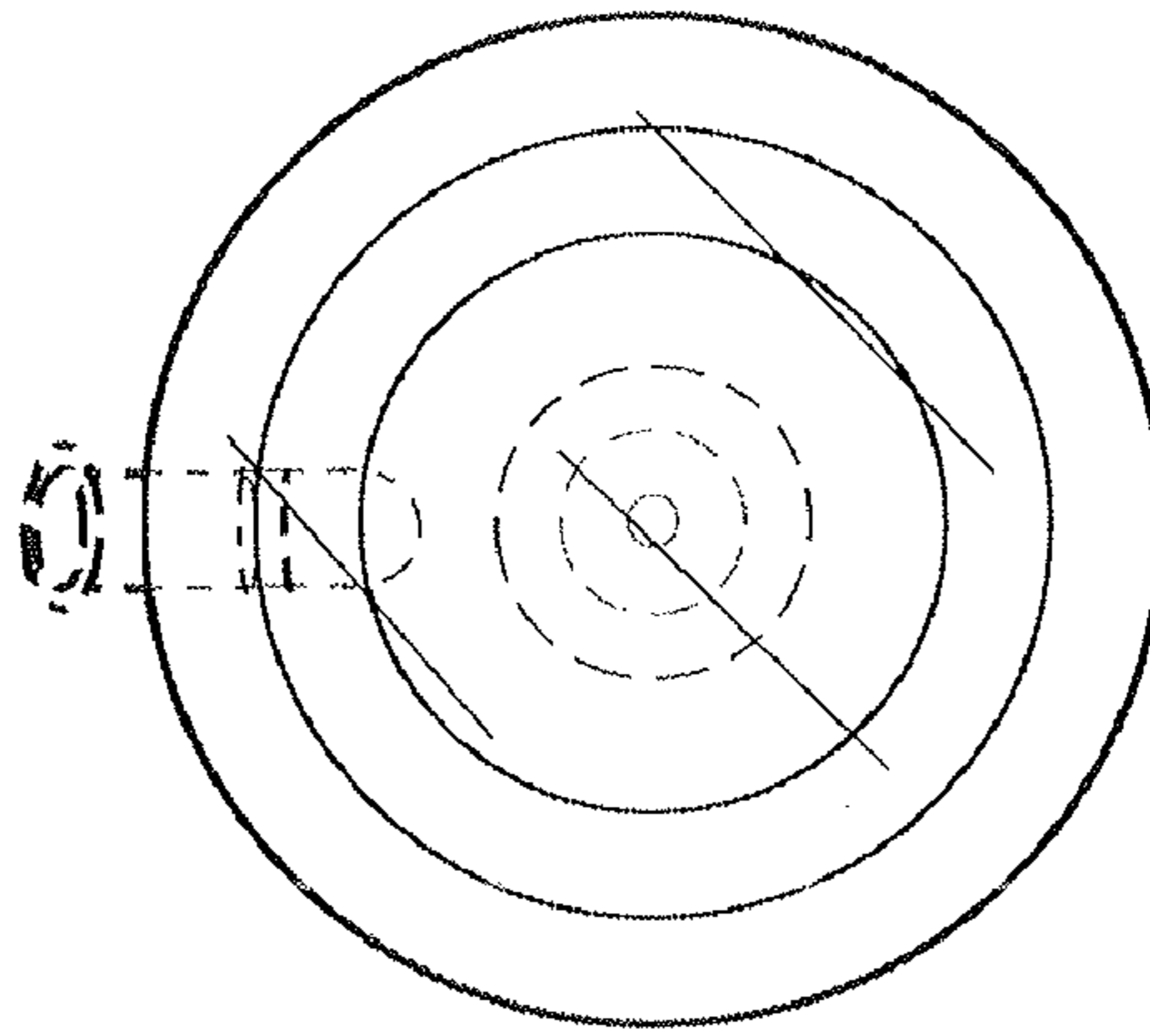


FIG. 10

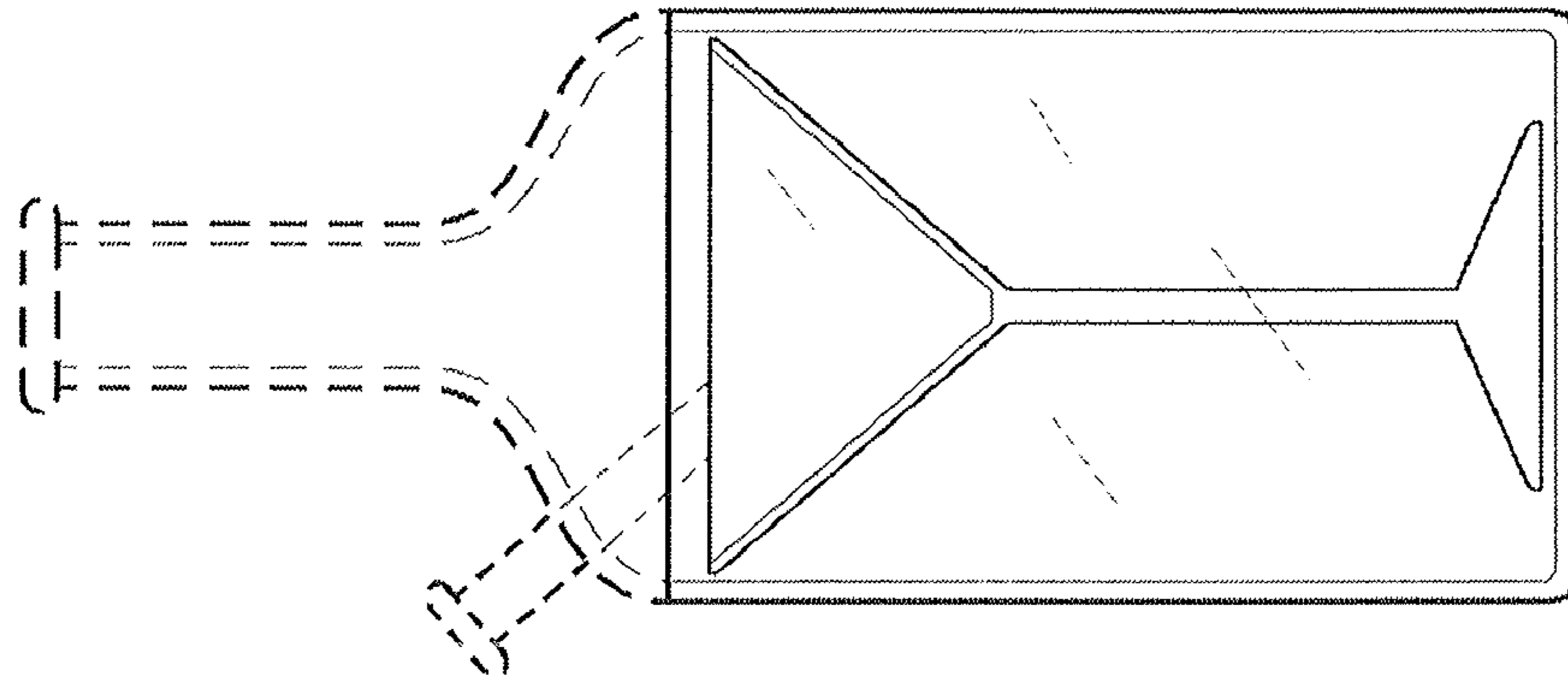


FIG. 11

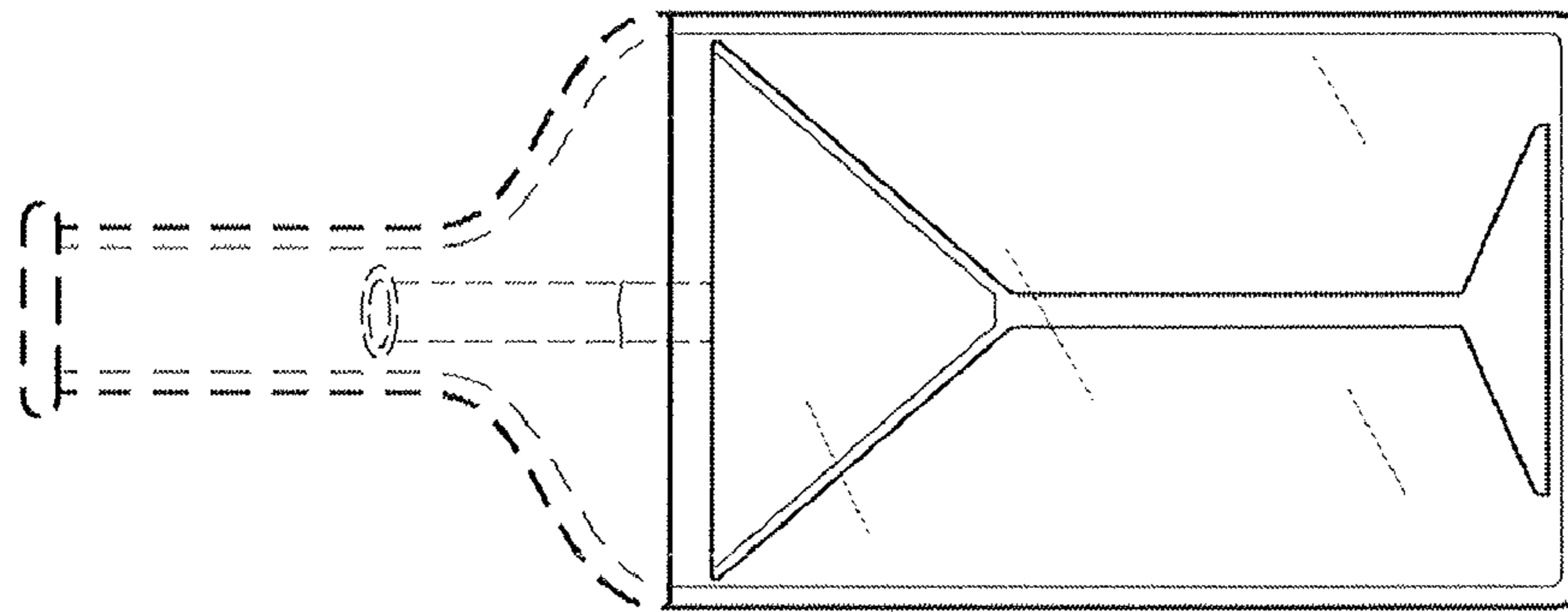


FIG. 12

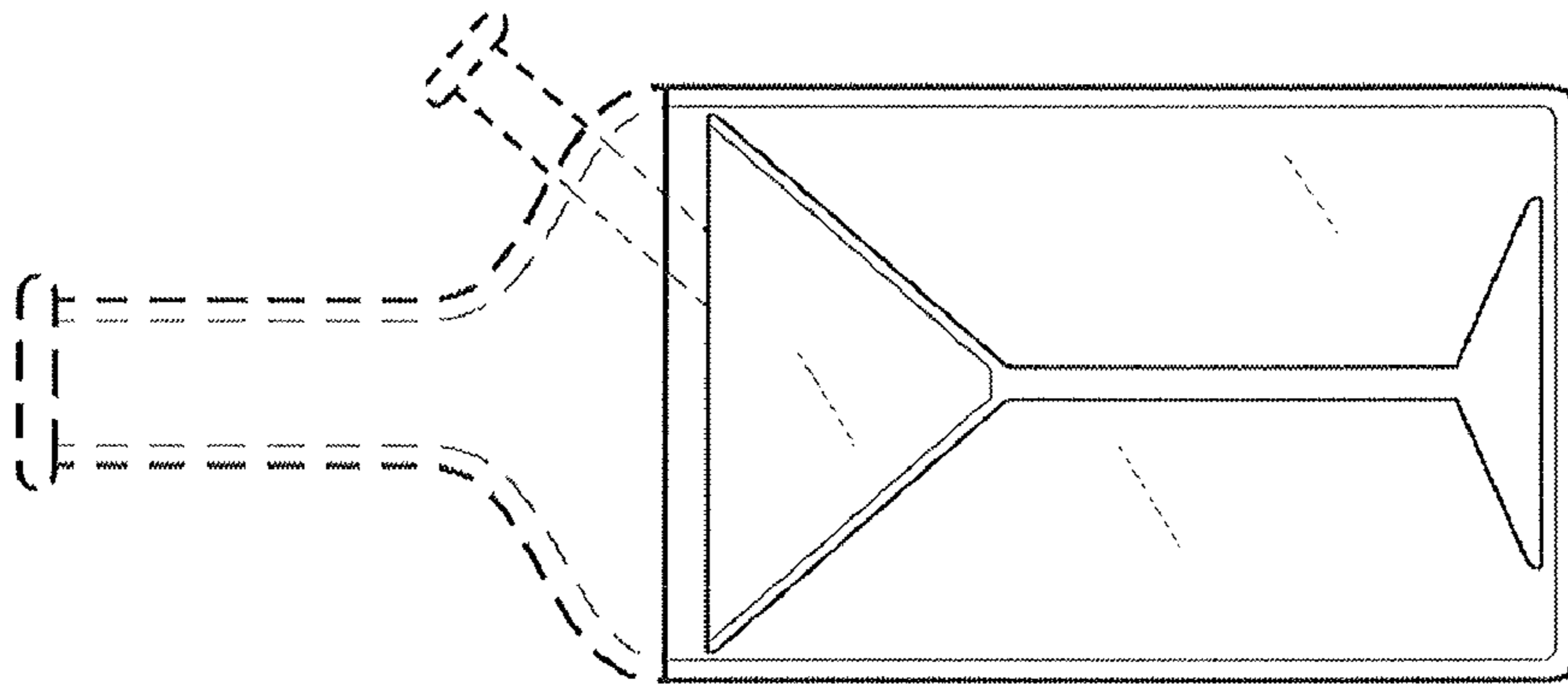


FIG. 13

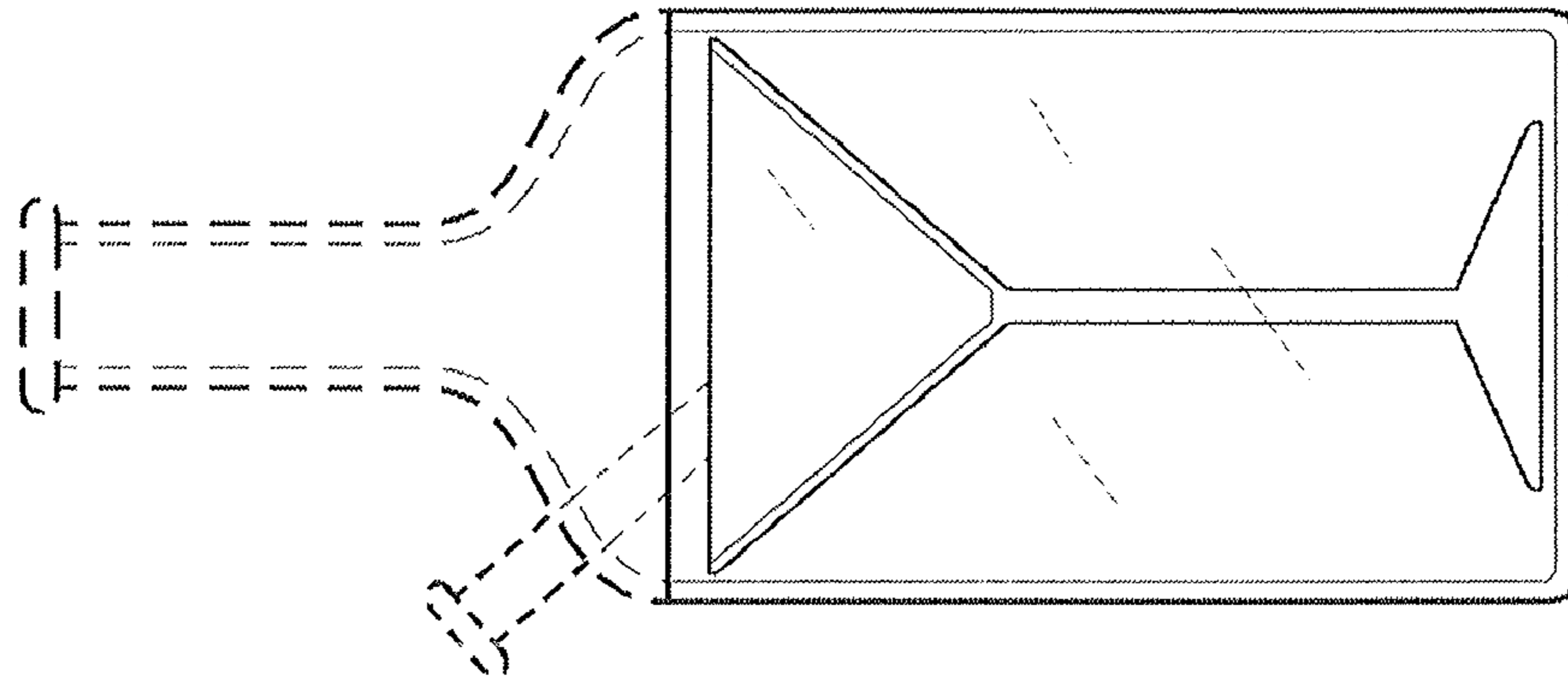


FIG. 14