



US00D634578S

(12) **United States Design Patent**  
**Minshall et al.**

(10) **Patent No.:** **US D634,578 S**  
(45) **Date of Patent:** **\*\* Mar. 22, 2011**

(54) **COMBINED SHELF AND CONSOLE FOR A BARBECUE GRILL**

(75) Inventors: **Patrick Minshall**, Caledon (CA);  
**Sydney Barkhouse**, Oakville (CA);  
**Shawn Long**, Orangeville (CA); **Orrin Bowser**, Barrie (CA)

(73) Assignee: **Wolfedale Engineering Limited**,  
Ontario (CA)

(\*\*) Term: **14 Years**

(21) Appl. No.: **29/332,225**

(22) Filed: **Feb. 11, 2009**

(30) **Foreign Application Priority Data**

Nov. 17, 2008 (CA) ..... 128629  
Jan. 7, 2009 (CA) ..... 129262

(51) **LOC (9) Cl.** ..... **07-02**

(52) **U.S. Cl.** ..... **D7/403**

(58) **Field of Classification Search** ..... D7/332,  
D7/334-337, 402-406; 126/25 R, 9 R, 37 R,  
126/41 R, 40, 42, 50, 9 A, 1 B, 299 C, 98,  
126/201, 43-44, 48, 38

See application file for complete search history.

(56) **References Cited**

**U.S. PATENT DOCUMENTS**

4,499,630 A 2/1985 Harris et al.  
5,323,758 A 6/1994 Minshall et al.  
5,499,427 A 3/1996 Bowman  
5,927,267 A 7/1999 McKenzie  
5,941,228 A 8/1999 McKenzie  
D460,313 S 7/2002 Crookshanks et al.  
D462,234 S 9/2002 Alden et al.  
D462,564 S 9/2002 Brake et al.  
6,463,630 B1 10/2002 Howie, Jr.  
D467,489 S 12/2002 Rubinson  
D470,357 S 2/2003 Home

D472,422 S 4/2003 Pai  
D472,756 S 4/2003 Pai  
D474,070 S 5/2003 McKenzie  
6,561,179 B1 5/2003 Brake et al.  
D482,292 S 11/2003 Minshall et al.  
D482,950 S 12/2003 McKenzie  
6,687,957 B2 2/2004 Worrell  
6,726,159 B2 4/2004 Brake  
D493,090 S 7/2004 Chen et al.  
D495,200 S 8/2004 McKenzie  
6,854,812 B2 2/2005 Brake  
D511,650 S 11/2005 McKenzie  
D521,308 S 5/2006 Tseng  
D536,927 S 2/2007 McKenzie  
D538,592 S 3/2007 McKenzie  
D538,593 S 3/2007 McKenzie  
D539,087 S 3/2007 McKenzie  
7,207,326 B2 4/2007 McKenzie et al.  
D541,588 S 5/2007 McKenzie  
D542,089 S 5/2007 McKenzie

(Continued)

**FOREIGN PATENT DOCUMENTS**

CA 48732 9/1981

(Continued)

*Primary Examiner* — Ruth McInroy

(74) *Attorney, Agent, or Firm* — Knoble Yoshida & Dunleavy, LLC

(57) **CLAIM**

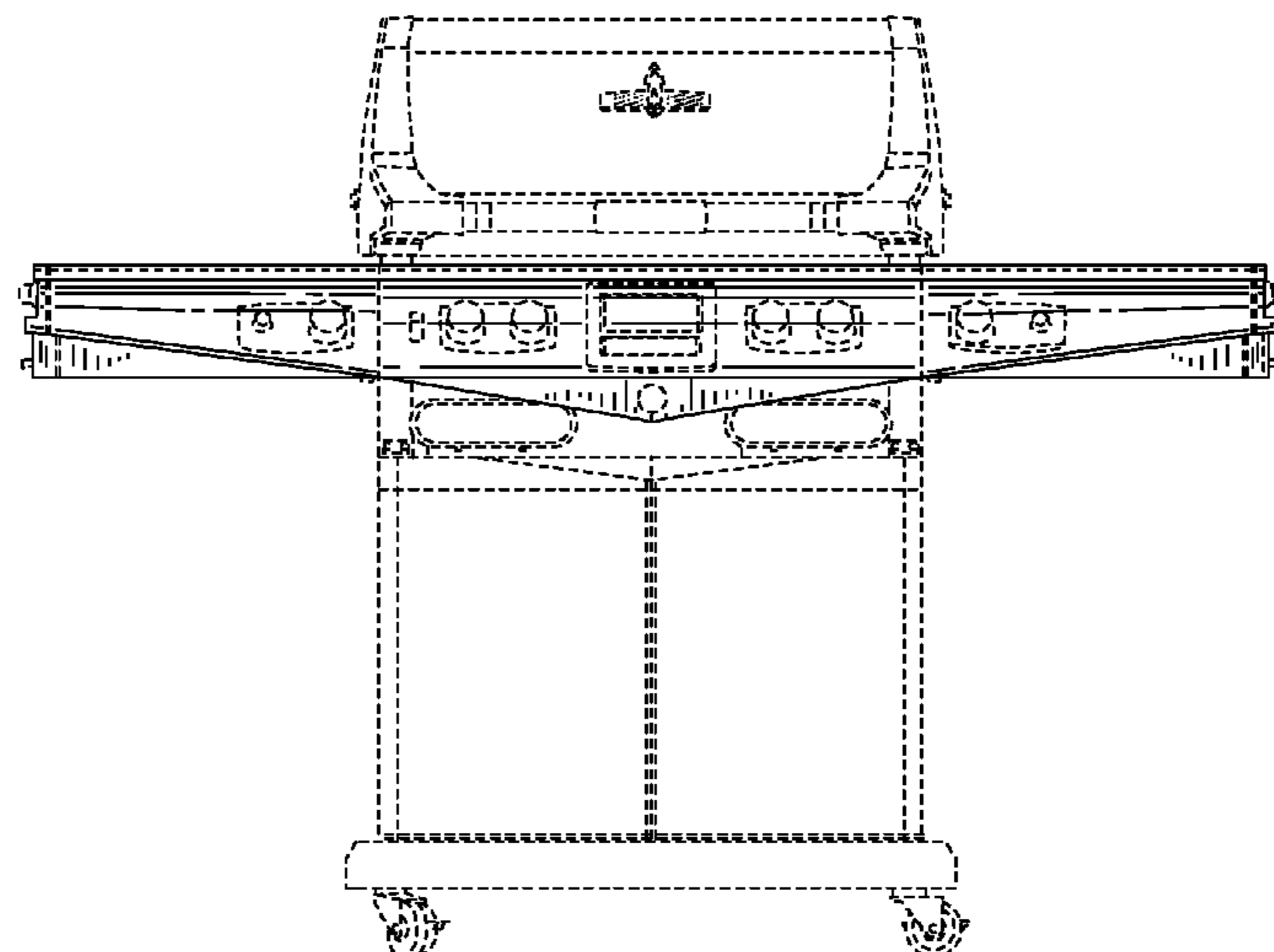
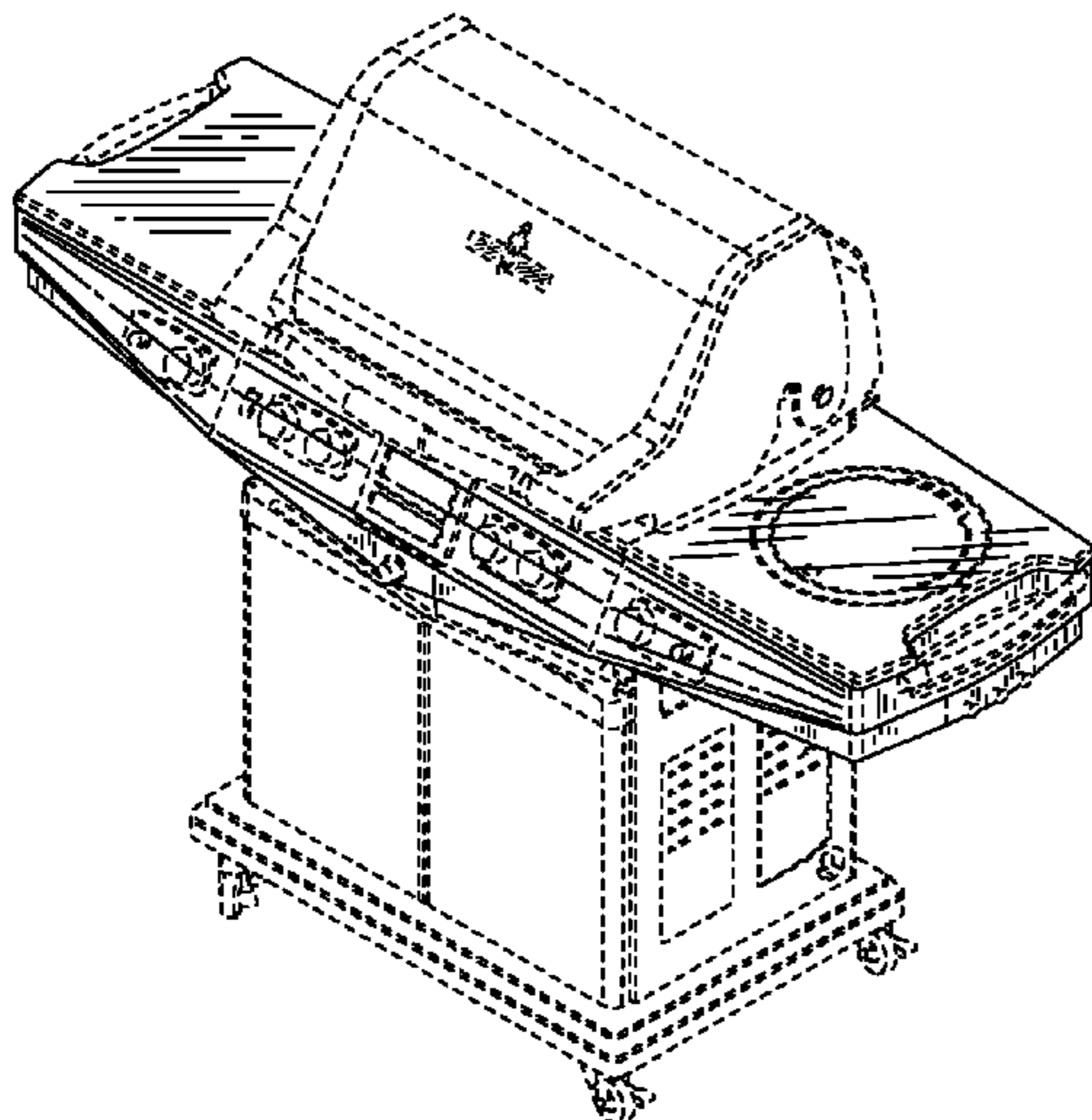
The ornamental design for a combined shelf and console for a barbecue grill, as shown and described.

**DESCRIPTION**

FIG. 1 is a perspective view of a combined shelf and console for a barbecue grill showing our new design; FIG. 2 is a front view thereof; and, FIG. 3 is a side view thereof.

Any broken lines in the drawings depict probable environment only and form no part of the claimed design.

**1 Claim, 3 Drawing Sheets**



# US D634,578 S

Page 2

## U.S. PATENT DOCUMENTS

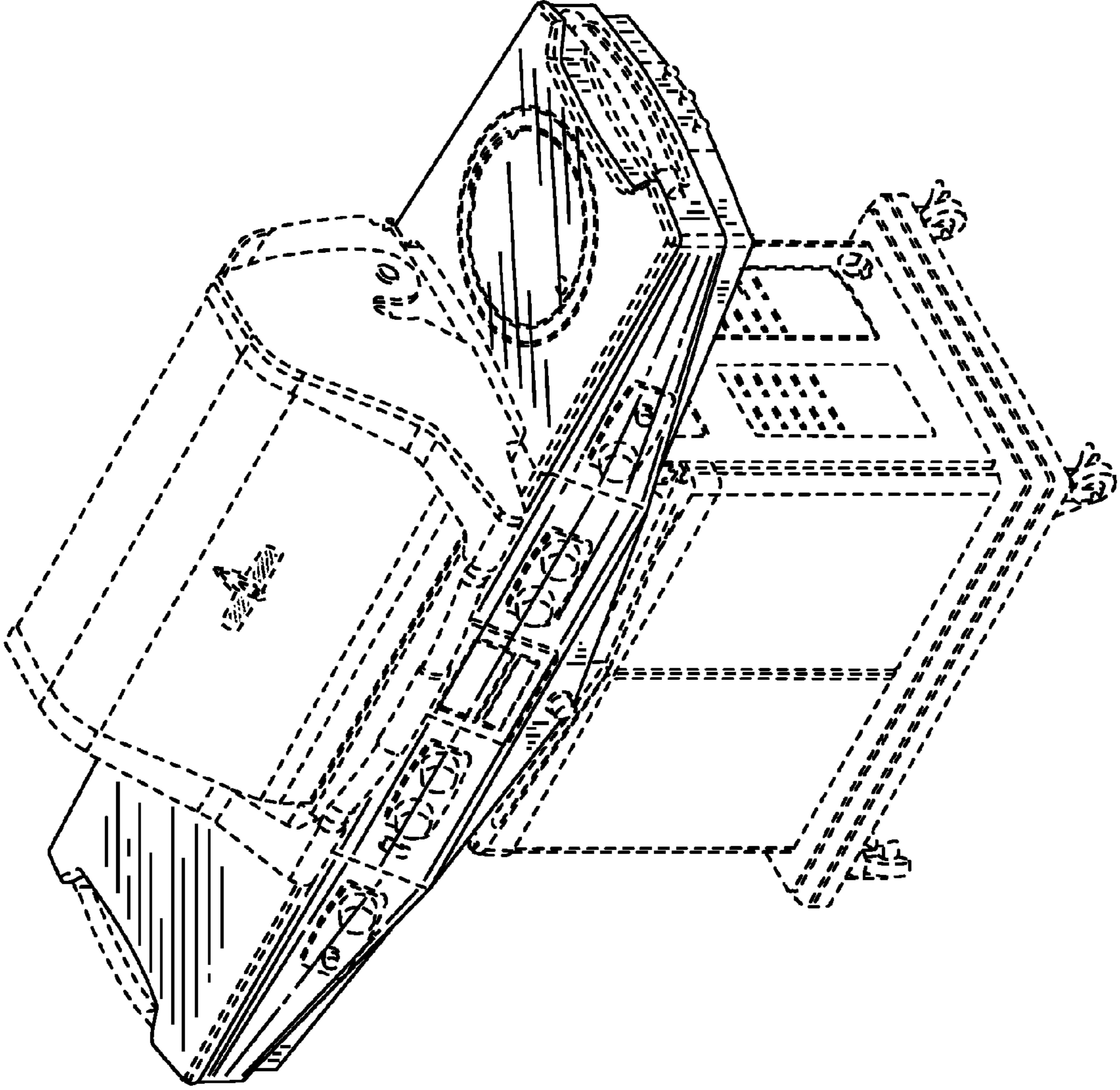
D546,622 S \* 7/2007 McKenzie ..... D7/402  
D549,511 S \* 8/2007 Chung ..... D7/334  
D549,514 S \* 8/2007 Chung ..... D7/334  
D549,521 S 8/2007 McKenzie  
D559,619 S \* 1/2008 McKenzie ..... D7/402  
D571,604 S \* 6/2008 Chung ..... D7/334  
D571,605 S \* 6/2008 Chung ..... D7/334  
D580,221 S \* 11/2008 McKenzie ..... D7/402  
D581,735 S \* 12/2008 McKenzie ..... D7/402  
2002/0020303 A1 2/2002 Johnson  
2002/0020405 A1 2/2002 Coleman et al.  
2003/0029436 A1 2/2003 Carden et al.  
2003/0154971 A1 8/2003 Chapman  
2004/0154608 A1 8/2004 Ward et al.

## FOREIGN PATENT DOCUMENTS

CA 2246010 A1 2/2000  
CA 2280312 A1 2/2001  
CA 2281382 A1 3/2001  
CA 96899 1/2003

CA 96898 1/2004  
CA 98382 1/2004  
CA 101024 1/2004  
CA 2418515 A1 8/2004  
CA 2435868 A1 8/2004  
CA 103849 1/2005  
CA 103850 1/2005  
CA 103851 1/2005  
CA 103852 1/2005  
CA 103853 1/2005  
CA 2493654 A1 7/2006  
CA 122175 3/2009  
CA 122176 3/2009  
CA 122177 3/2009  
CA 122178 3/2009  
EP 67111-0001 8/2003  
EP 67111-0002 8/2003  
EP 67111-0003 8/2003  
EP 67111-0004 8/2003  
EP 67111-0005 8/2003

\* cited by examiner



**FIG. 1**

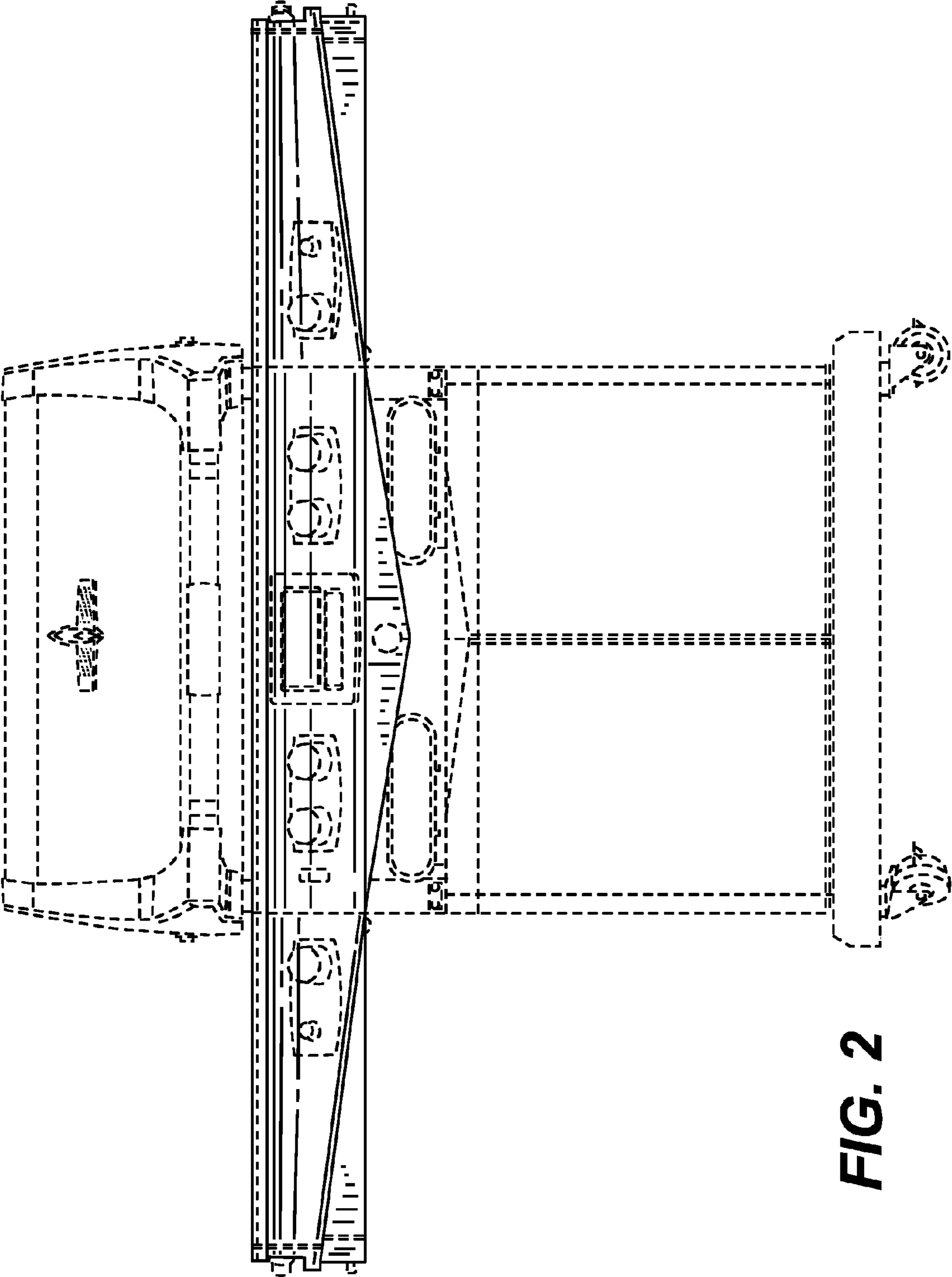
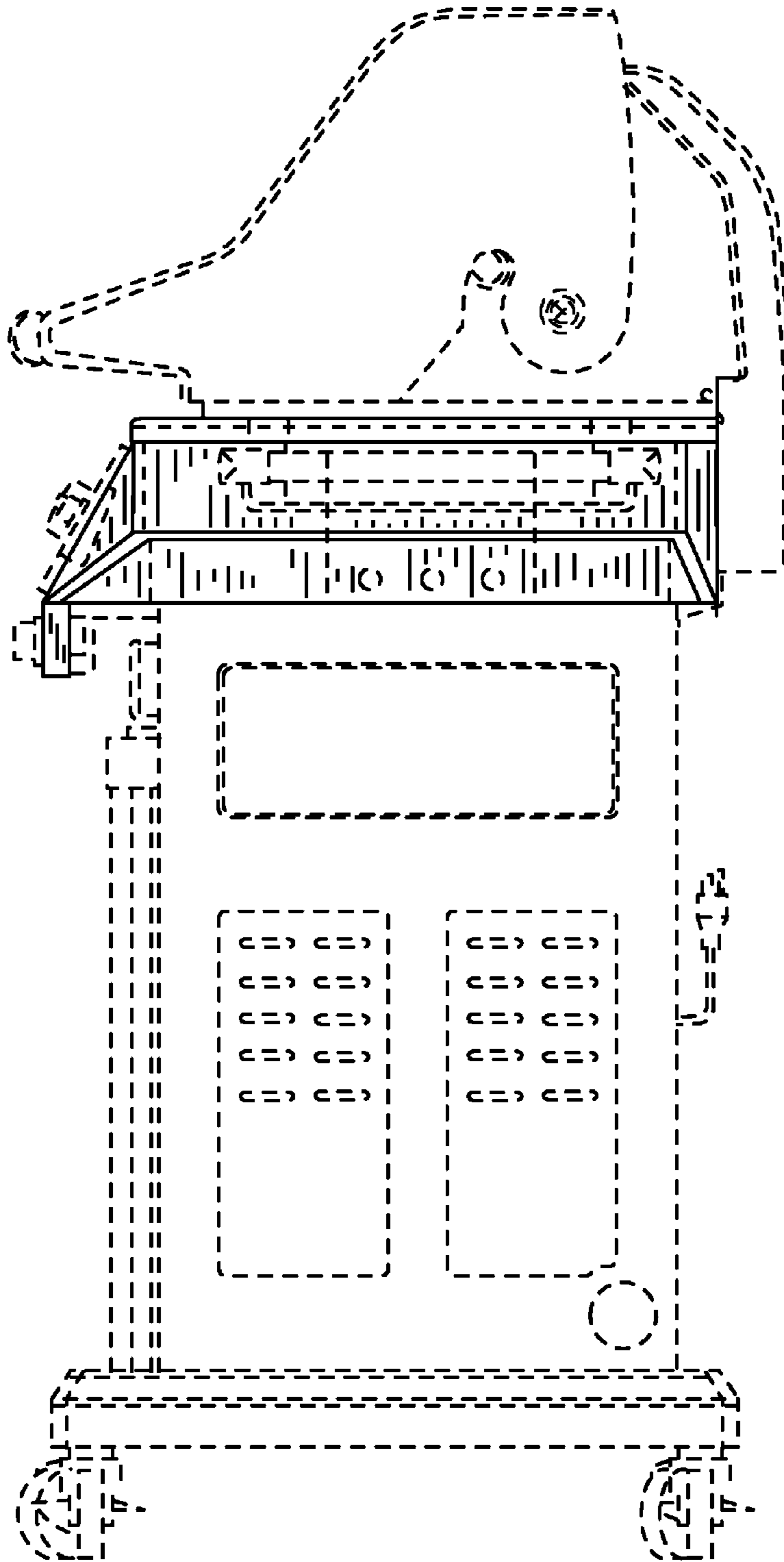


FIG. 2



**FIG. 3**