



US00D634576S

(12) **United States Design Patent**
Baek et al.

(10) **Patent No.:** **US D634,576 S**
(45) **Date of Patent:** **** Mar. 22, 2011**

(54) **MICROWAVE OVEN**

(75) Inventors: **Byung Kook Baek**, Kyungki-Do (KR);
Jung Kyung Kwack, Seoul (KR)

(73) Assignee: **Samsung Electronics Co., Ltd.**, Suwon (KR)

(**) Term: **14 Years**

(21) Appl. No.: **29/357,769**

(22) Filed: **Mar. 17, 2010**

(51) **LOC (9) Cl.** **07-02**

(52) **U.S. Cl.** **D7/351**

(58) **Field of Classification Search** D7/350.1,
D7/350.3, 350.4, 351, 405; 219/756, 757,
219/758, 391; 126/19 M, 21 A, 275 E, 275 R;
99/352

See application file for complete search history.

(56) **References Cited**

U.S. PATENT DOCUMENTS

D439,468 S *	3/2001	Kim	D7/351
D442,821 S *	5/2001	Naganuma	D7/351
D452,410 S *	12/2001	Ichimura	D7/351
D455,932 S *	4/2002	Noda et al.	D7/351
D476,521 S *	7/2003	Fukuda et al.	D7/351

D478,465 S *	8/2003	Kanza	D7/351
D522,801 S *	6/2006	Lee	D7/351
D530,973 S *	10/2006	Lee et al.	D7/351
D531,447 S *	11/2006	Lee et al.	D7/350.4
D532,645 S *	11/2006	Lee	D7/351
D540,105 S *	4/2007	Lee et al.	D7/351
D545,611 S *	7/2007	Sakata	D7/351
D562,057 S *	2/2008	Kim	D7/351
D565,341 S *	4/2008	Jeon et al.	D7/351
D615,805 S *	5/2010	Baek	D7/351

* cited by examiner

Primary Examiner — Ruth McInroy

(74) *Attorney, Agent, or Firm* — Ladas & Parry LLP

(57) **CLAIM**

We claim the ornamental design for a microwave oven, as shown.

DESCRIPTION

FIG. 1 is a top, front and right side perspective view of a microwave oven showing our new design; FIG. 2 is a front elevational view thereof; FIG. 3 is a rear elevational view thereof; FIG. 4 is a left side elevational view thereof; FIG. 5 is a right side elevational view thereof; FIG. 6 is a top plan view thereof; and, FIG. 7 is a bottom plan view thereof.

1 Claim, 4 Drawing Sheets

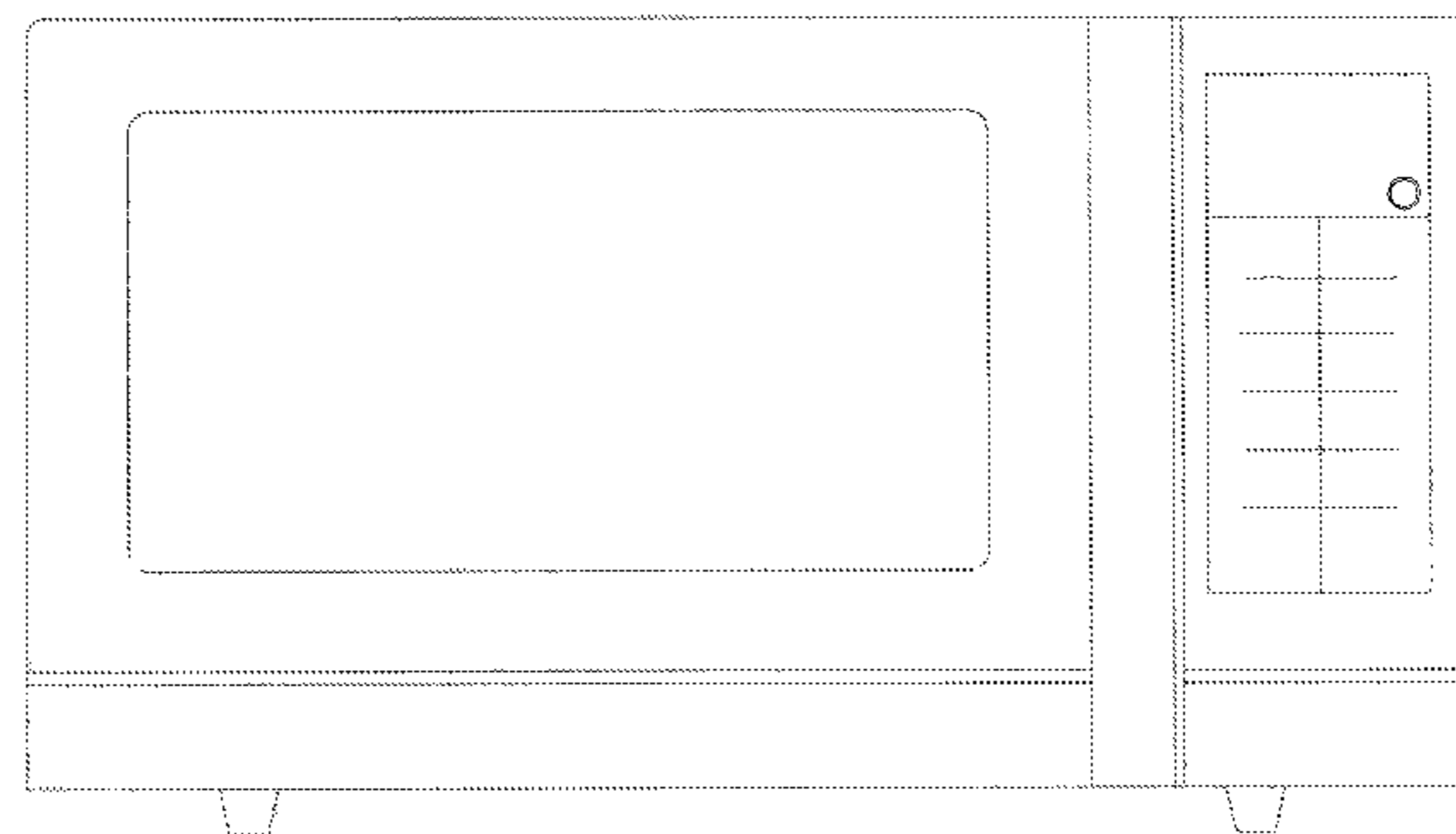
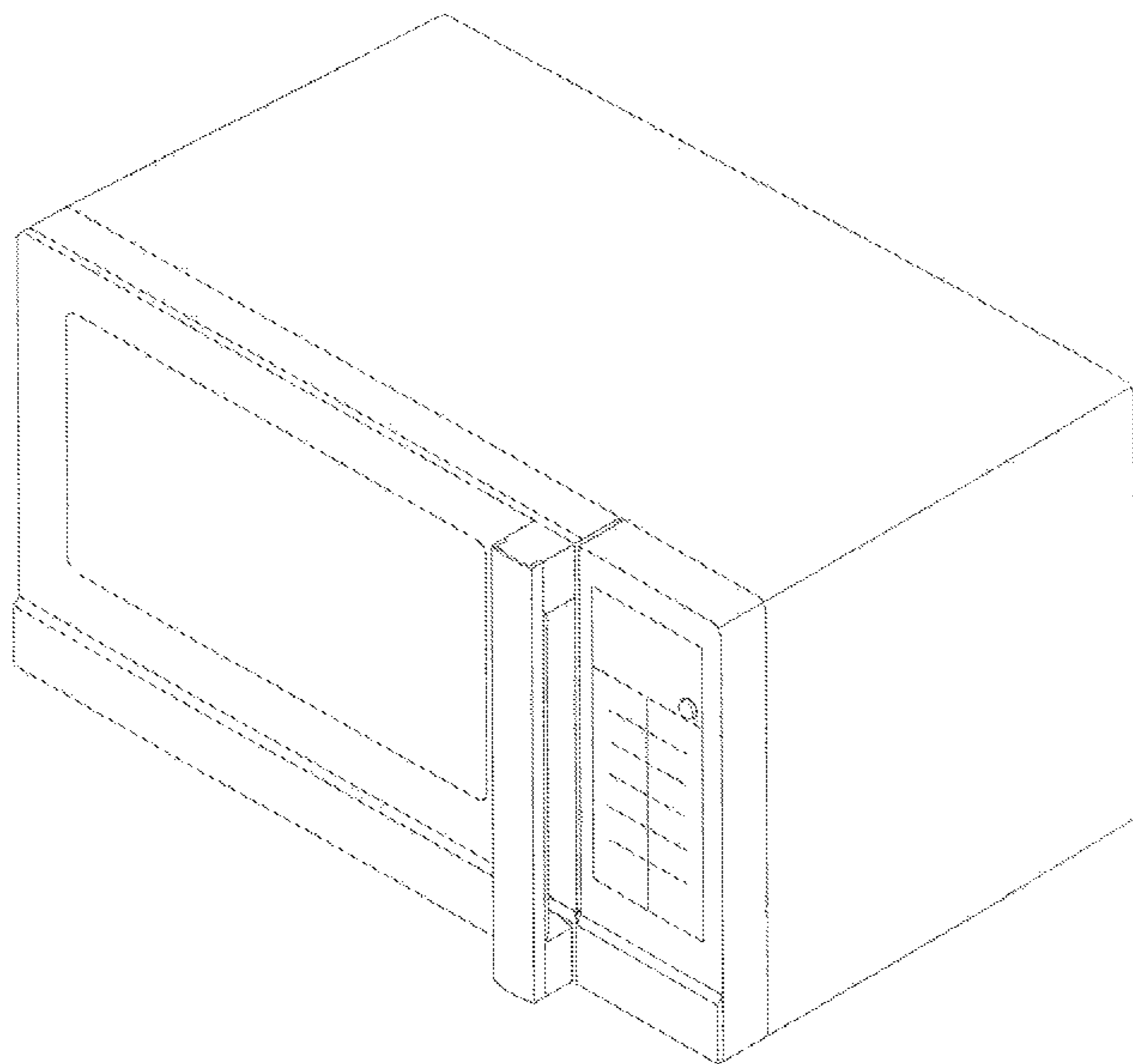


FIG. 1

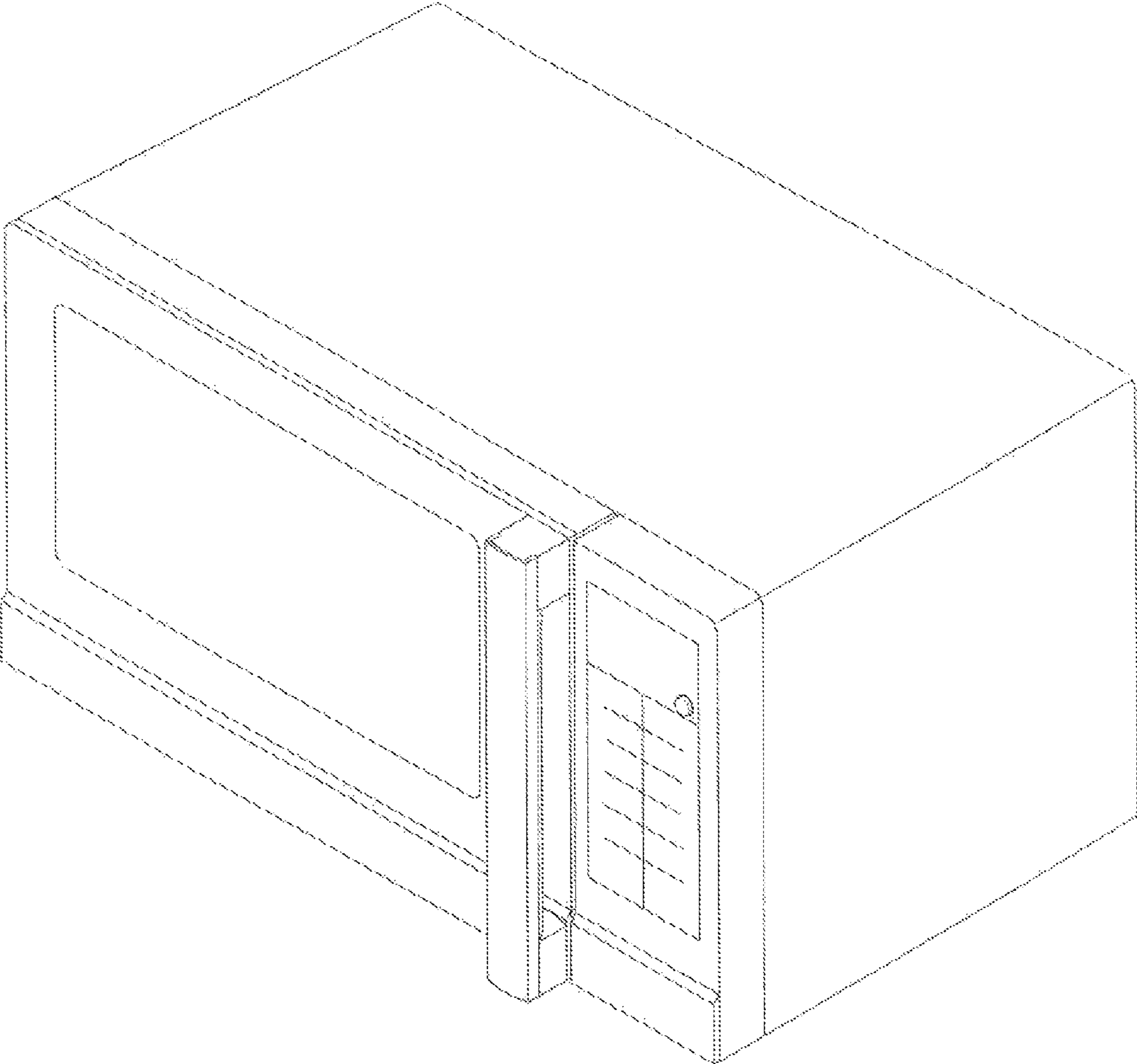


FIG. 2

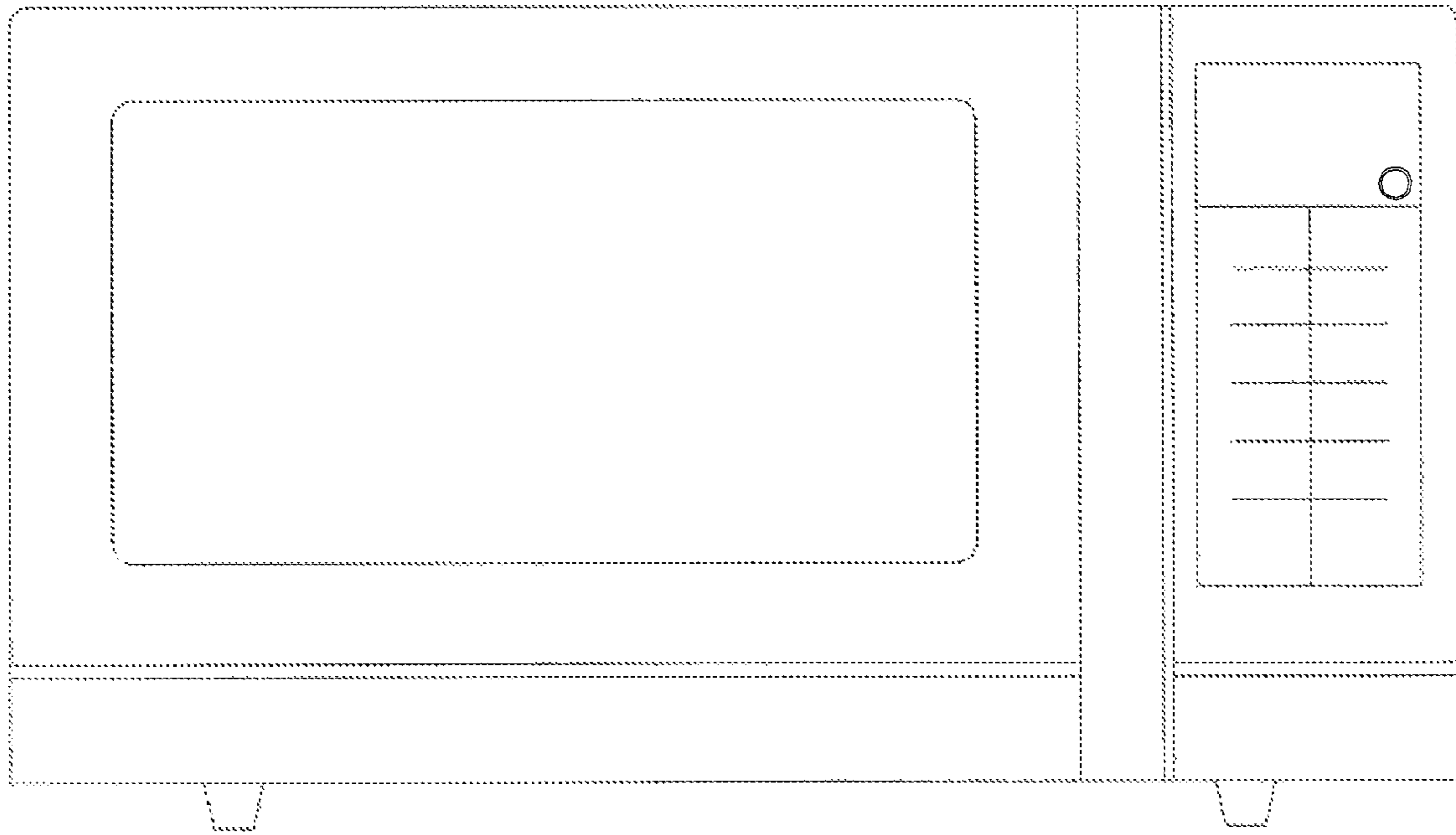


FIG. 3

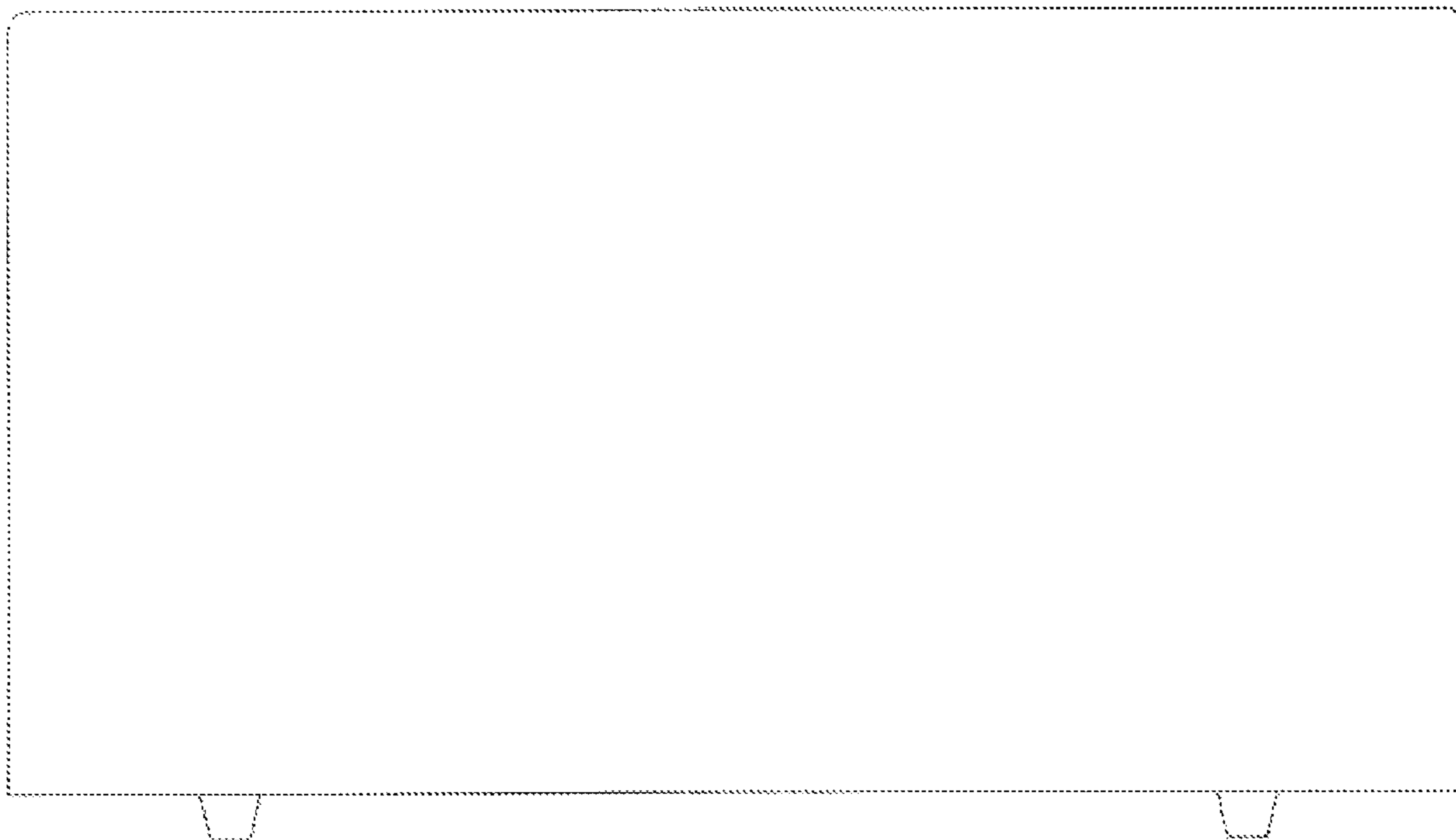


FIG. 4

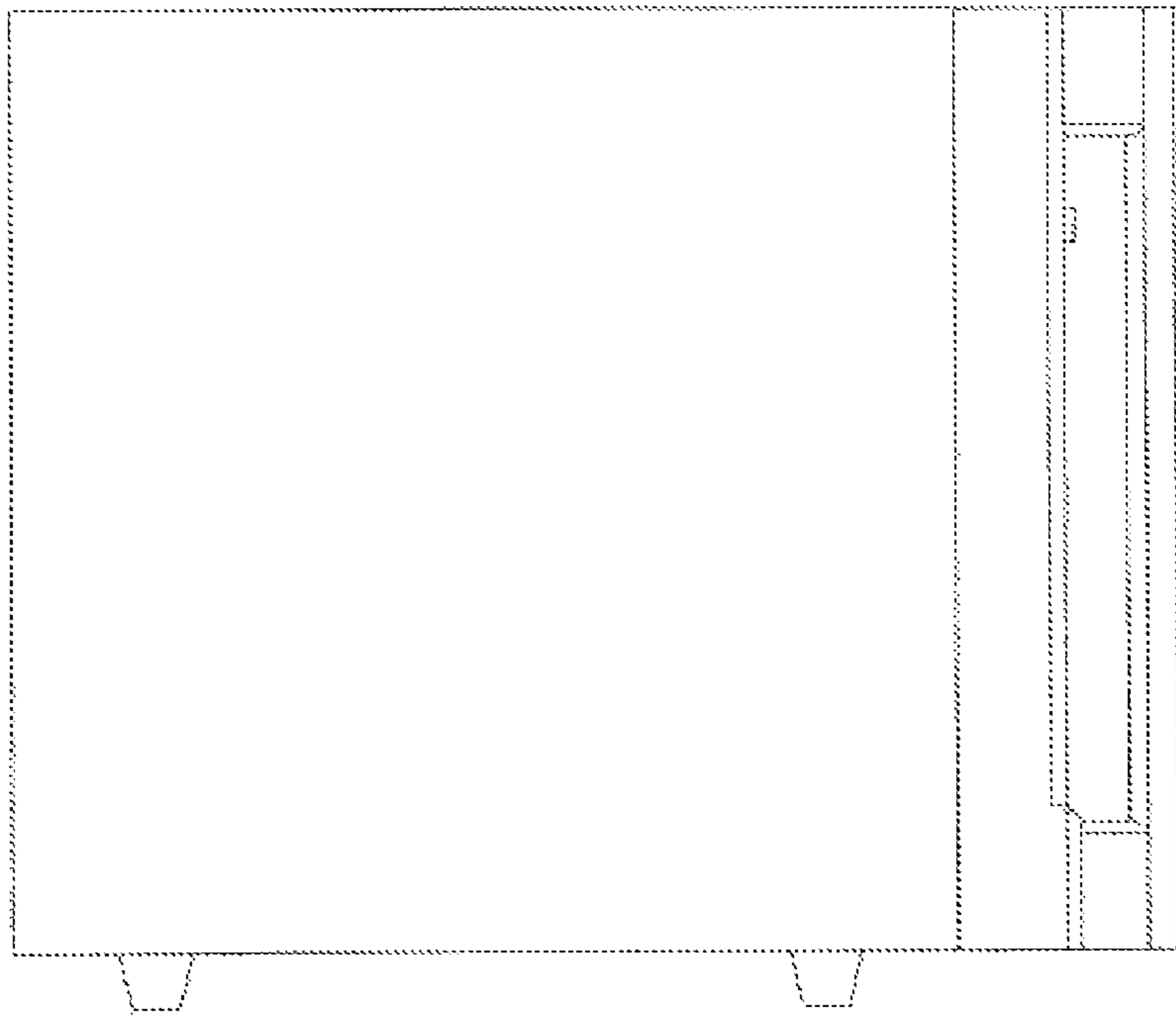


FIG. 5

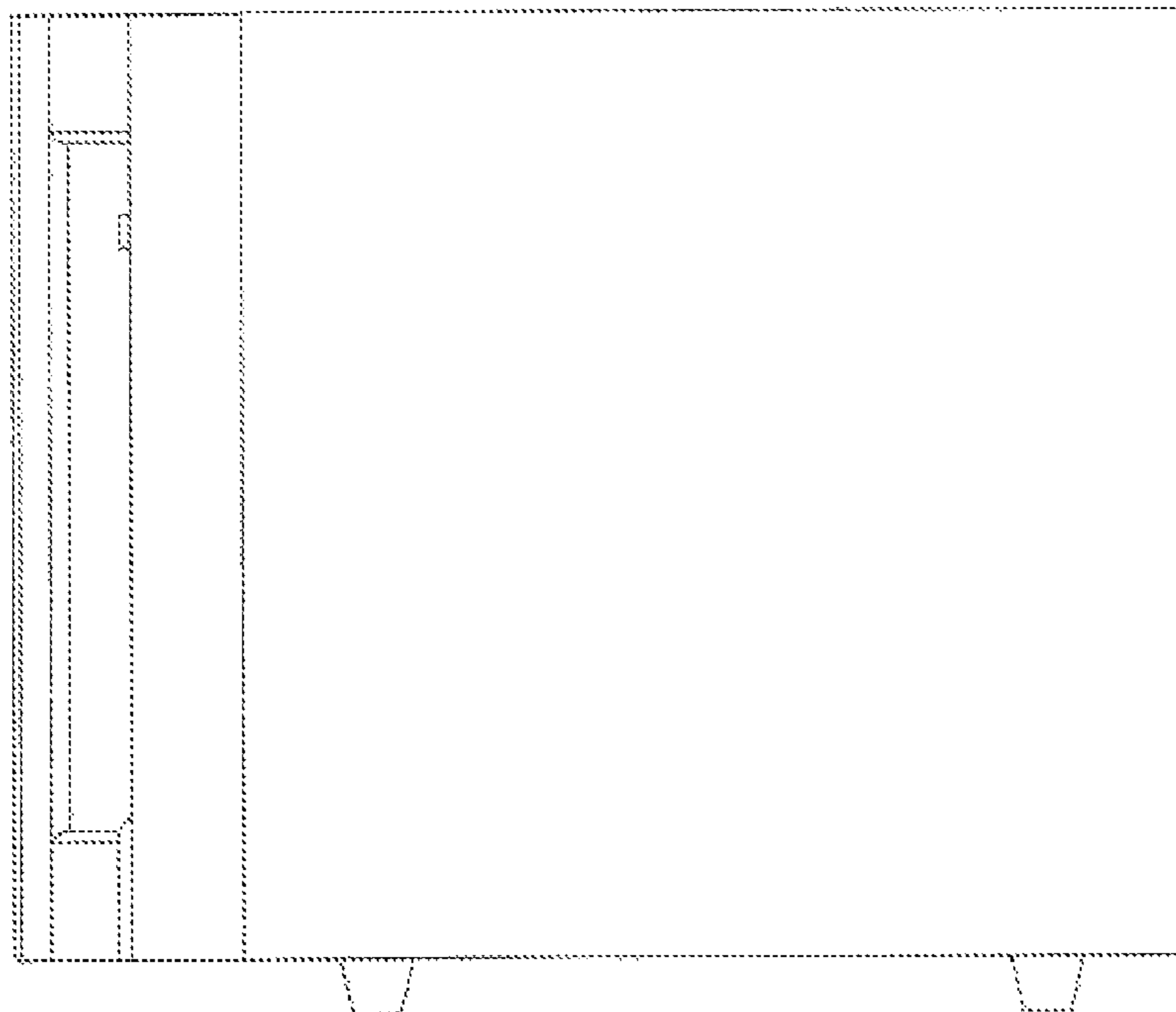


FIG. 6

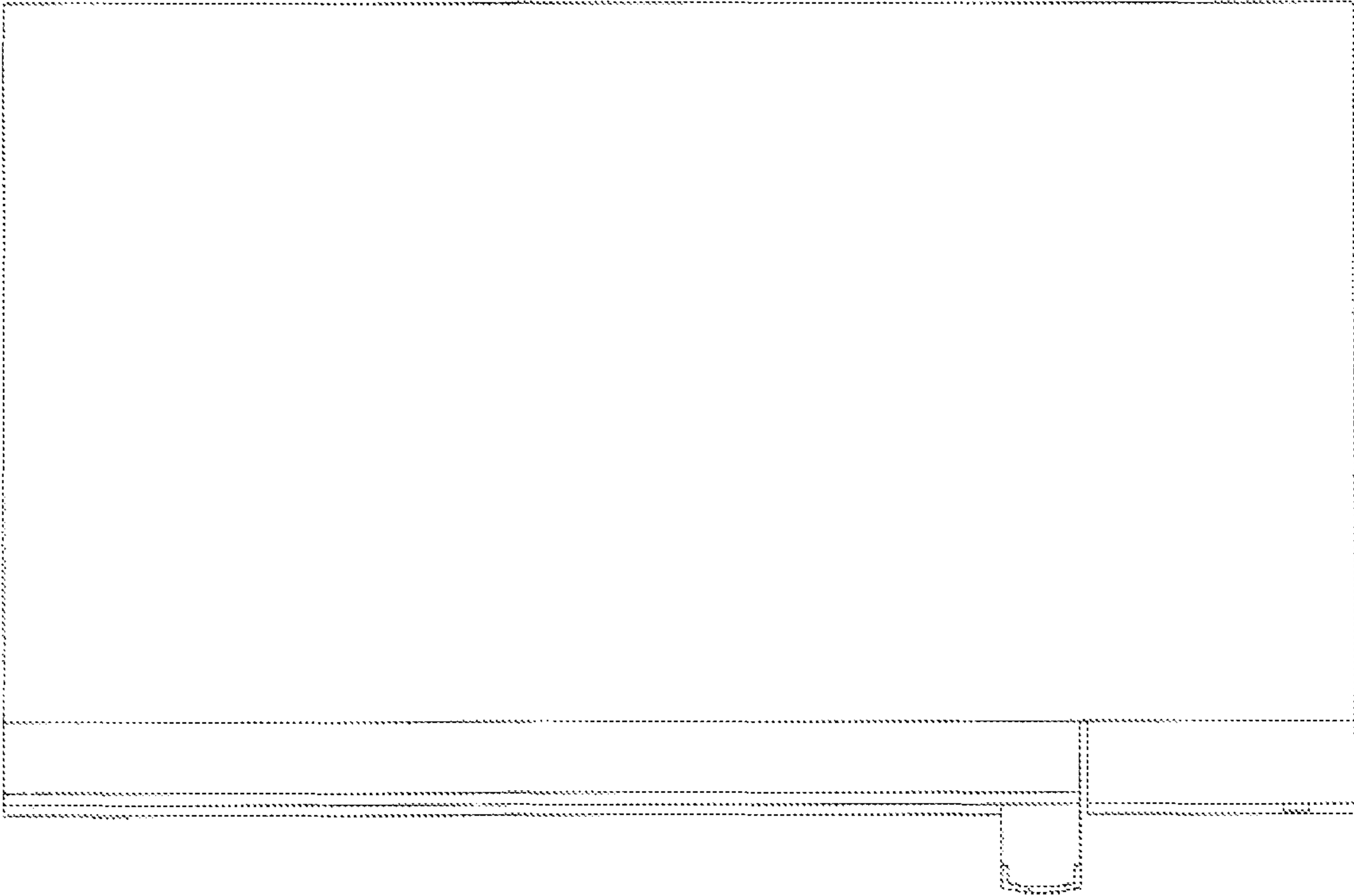


FIG. 7

