



US00D634567S

(12) **United States Design Patent**
Zalewski

(10) **Patent No.:** **US D634,567 S**

(45) **Date of Patent:** **** *Mar. 22, 2011**

(54) **SUPPORTING BASE**

(75) Inventor: **Kevin Zalewski**, Rochester Hills, MI
(US)

(73) Assignee: **Target Brands, Inc.**, Minneapolis, MN
(US)

(*) Notice: This patent is subject to a terminal disclaimer.

(**) Term: **14 Years**

(21) Appl. No.: **29/361,912**

(22) Filed: **May 17, 2010**

Related U.S. Application Data

(63) Continuation of application No. 29/333,917, filed on Mar. 17, 2009, now Pat. No. Des. 617,582.

(51) **LOC (9) Cl.** **06-06**

(52) **U.S. Cl.** **D6/491**

(58) **Field of Classification Search** D6/449,
D6/480, 485, 495, 503, 382-384, 397, 491,
D6/555, 511, 477-479, 509; D25/65; 108/51.3,
108/57.16, 57.17, 57.18, 57.21; 248/188,
248/188.1, 188.2, 188.4, 346.01, 346.03,
248/346.06; 312/242, 140, 265.5, 265.6,
312/194, 195; 5/200.1, 236.1

See application file for complete search history.

4,717,214 A	1/1988	Moore et al.
5,147,120 A	9/1992	Ray
5,176,435 A	1/1993	Pipkens
5,464,295 A	11/1995	Dailot
5,466,058 A	11/1995	Chan
5,477,594 A	12/1995	LePage
5,486,041 A	1/1996	Sykes
5,647,649 A	7/1997	Kao
5,716,116 A	2/1998	Carlson et al.
5,775,046 A	7/1998	Fanger et al.
D396,566 S	8/1998	Albrecht
5,921,646 A	7/1999	Hwang
5,941,616 A	8/1999	Billingham
6,113,203 A	9/2000	Chen
D437,706 S	2/2001	Alcala et al.
D460,887 S	7/2002	Palka
6,488,346 B2	12/2002	Chen
6,508,021 B2	1/2003	Ong
6,557,955 B2	5/2003	Saravis
6,820,950 B1	11/2004	Sun
D503,864 S	4/2005	DiFanti
RE38,836 E	10/2005	Krause et al.
7,048,346 B2	5/2006	Saravis
D527,926 S	9/2006	Domack et al.
7,231,740 B2	6/2007	Jirele
D568,649 S	5/2008	Morris et al.
D582,168 S	12/2008	Sandel
2002/0185941 A1	12/2002	Ferraro et al.
2003/0193274 A1	10/2003	Saravis
2003/0222545 A1	12/2003	Stravitz
2004/0164653 A1	8/2004	Winkless
2004/0217677 A1	11/2004	Durand et al.
2005/0006991 A1	1/2005	Saravis
2005/0077805 A1	4/2005	Dalebout et al.
2005/0104483 A1	5/2005	Saravis
2006/0250052 A1	11/2006	Davis et al.

FOREIGN PATENT DOCUMENTS

DE	4313330	9/1994
GB	2355672	5/2001
WO	8700406	1/1987
WO	9920153	4/1999

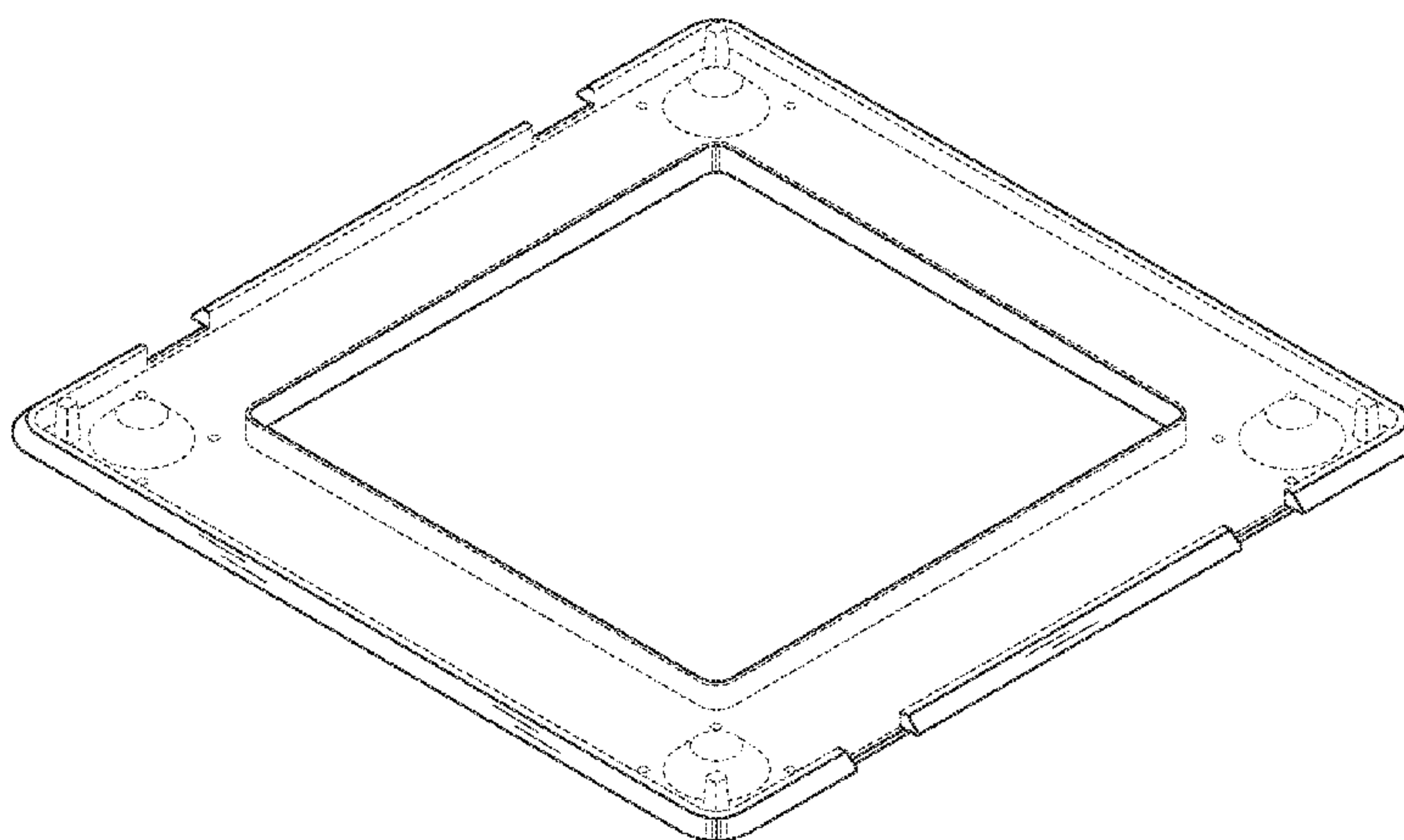
OTHER PUBLICATIONS

"iCube, my cube, my space™", materials publicly provided in an offer to sell the associated product at least as early as Apr. 23, 2008, 22 pages. Egan Visual, Inc., "Modular Storage . . . configured to your requirements," 2004, 2 pages.
Egan Visual, Inc., "Finish Schedule," Price and Specification Guide, Jul. 2002, 11 pages.
Egan Visual, Inc., "Finish Schedule," Price and Specification Guide, Jul. 2002, 3 pages.

(56) **References Cited**

U.S. PATENT DOCUMENTS

2,121,190 A	6/1938	Fellowes
2,299,766 A	10/1942	Rosenthal
3,279,873 A	10/1966	Gronquist
3,468,591 A	9/1969	Wodli
3,655,065 A	4/1972	Yellin
3,874,753 A	4/1975	Naito et al.
3,885,845 A	5/1975	Krieks
3,975,877 A	8/1976	Walton
4,050,604 A	9/1977	Flanders
D268,796 S	5/1983	Kola
4,448,463 A	5/1984	Amos
4,704,313 A	11/1987	Maier



Egan Visual, Inc., “Mobile Task Carts & Lockers—Product Design Rationale,” 2004, 2 pages.

Moduline Modular Aluminum Cabinets, “Moduline Pro-Series Combinations—Trailer Cabinets Organize With Style!—Modular Aluminum Storage Cabinets,” printed from www.modulinecabinets.com in May 2006, 3 pages.

“elfa® Platinum Garage System,” printed from www.organize.com in May 2006, 2 pages.

Primary Examiner — Caron Veynar

Assistant Examiner — Abraham Bahta

(74) *Attorney, Agent, or Firm* — Griffiths & Seaton PLLC

(57) **CLAIM**

I claim: The ornamental design for a supporting base, as shown and described.

DESCRIPTION

The present application is also related to pending U.S. Utility patent application Ser. No. 11/851,165, entitled “STORAGE AND ORGANIZATION SYSTEM AND COMPONENTS THEREOF,” filed Sep. 6, 2007; U.S. Design application Ser. No. 29/284,375, now U.S. Pat. No. D602,255, entitled “STORAGE BIN,” filed Sep. 6, 2007; U.S. Design application Ser. No. 29/284,379, now U.S. Pat. No. D592,402, entitled “LID PORTION,” filed Sep. 6, 2007; U.S. Design application Ser. No. 29/329,629, now U.S. Design Pat. No. D596,857, entitled “STORAGE BIN,” filed Dec. 18, 2008; pending U.S. Design application Ser. No. 29/333,915, entitled “STORAGE UNIT AND STORAGE UNIT PORTIONS,” filed Mar. 17, 2009; pending U.S. Design application Ser. No. 29/333,916, entitled “DRAWER,” filed Mar. 17, 2009; U.S. Design application Ser. No. 29/333,918, now U.S. Pat. No. D605,896, entitled “TRAY,” filed Mar. 17, 2009; and pending U.S. Design application Ser. No. 29/358,558, entitled “DOOR FOR A STORAGE UNIT,” filed Mar. 29,

2010 and claiming priority to U.S. Design application Ser. No. 29/333,916; all of which are incorporated herein by reference.

FIG. 1 is a top perspective view of a supporting base, according to the invention;

FIG. 2 is a bottom perspective view thereof;

FIG. 3 is a top view thereof;

FIG. 4 is a bottom view thereof;

FIG. 5 is a front view thereof, the rear view being a mirror image of the front view; and

FIG. 6 is a right side view thereof; the left side view being a mirror image of the right side view.

FIG. 7 is a top perspective view of the supporting base of FIG. 1 with the addition of legs shown in broken lines, according to the invention;

FIG. 8 is a bottom perspective view thereof;

FIG. 9 is a top view thereof;

FIG. 10 is a bottom view thereof;

FIG. 11 is a front view thereof, the rear view being a mirror image of the front view; and

FIG. 12 is a right side view thereof; the left side view being a mirror image of the right side view.

FIG. 13 is a top perspective view of the supporting base of FIG. 1 with the addition of casters shown in broken lines, according to the invention;

FIG. 14 is a bottom perspective view thereof;

FIG. 15 is a top view thereof;

FIG. 16 is a bottom view thereof;

FIG. 17 is a front view thereof, the rear view being a mirror image of the front view; and

FIG. 18 is a right side view thereof; the left side view being a mirror image of the right side view.

The features shown in broken lines depict environmental subject matter only and form no part of the claimed design.

1 Claim, 9 Drawing Sheets

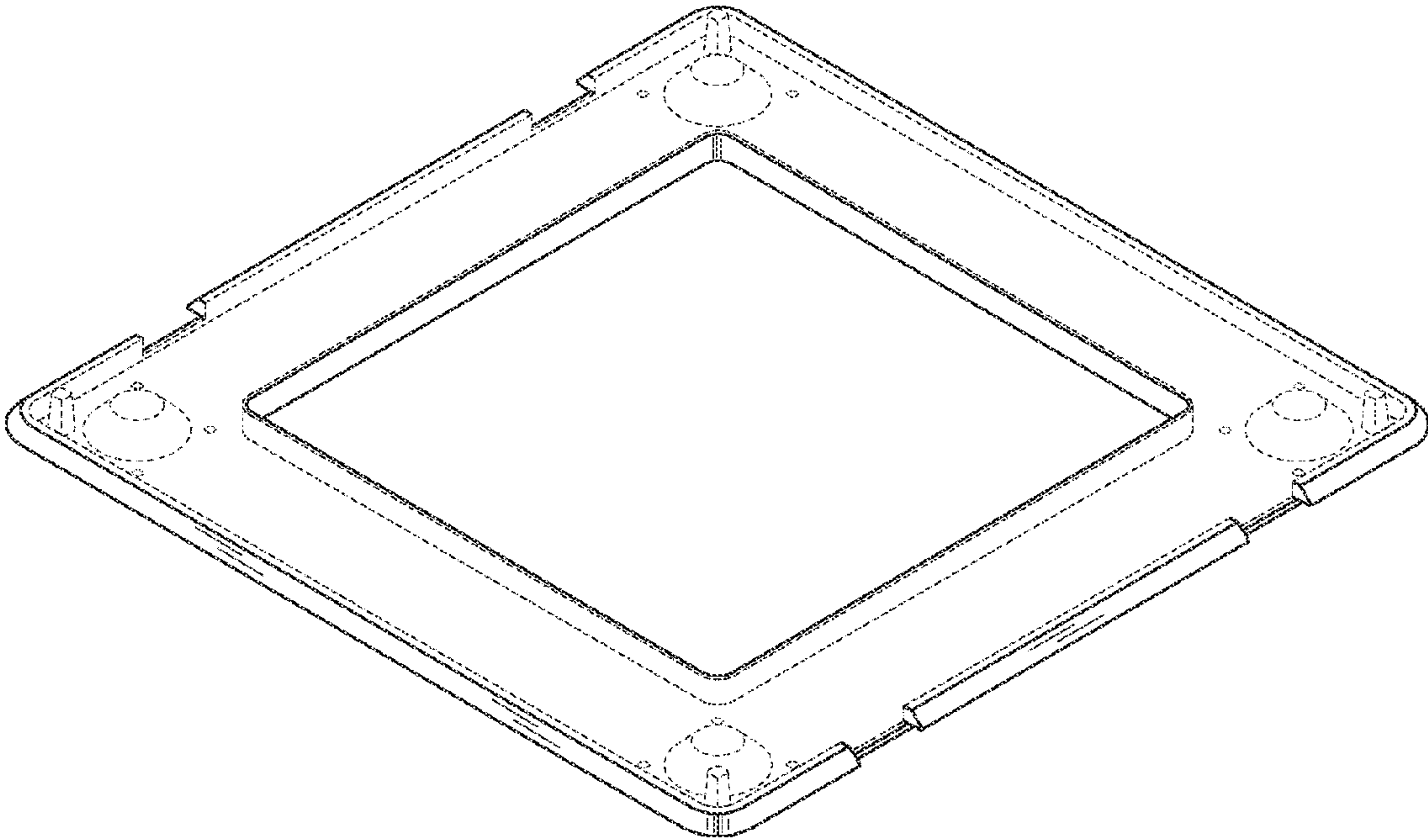


Fig. 1

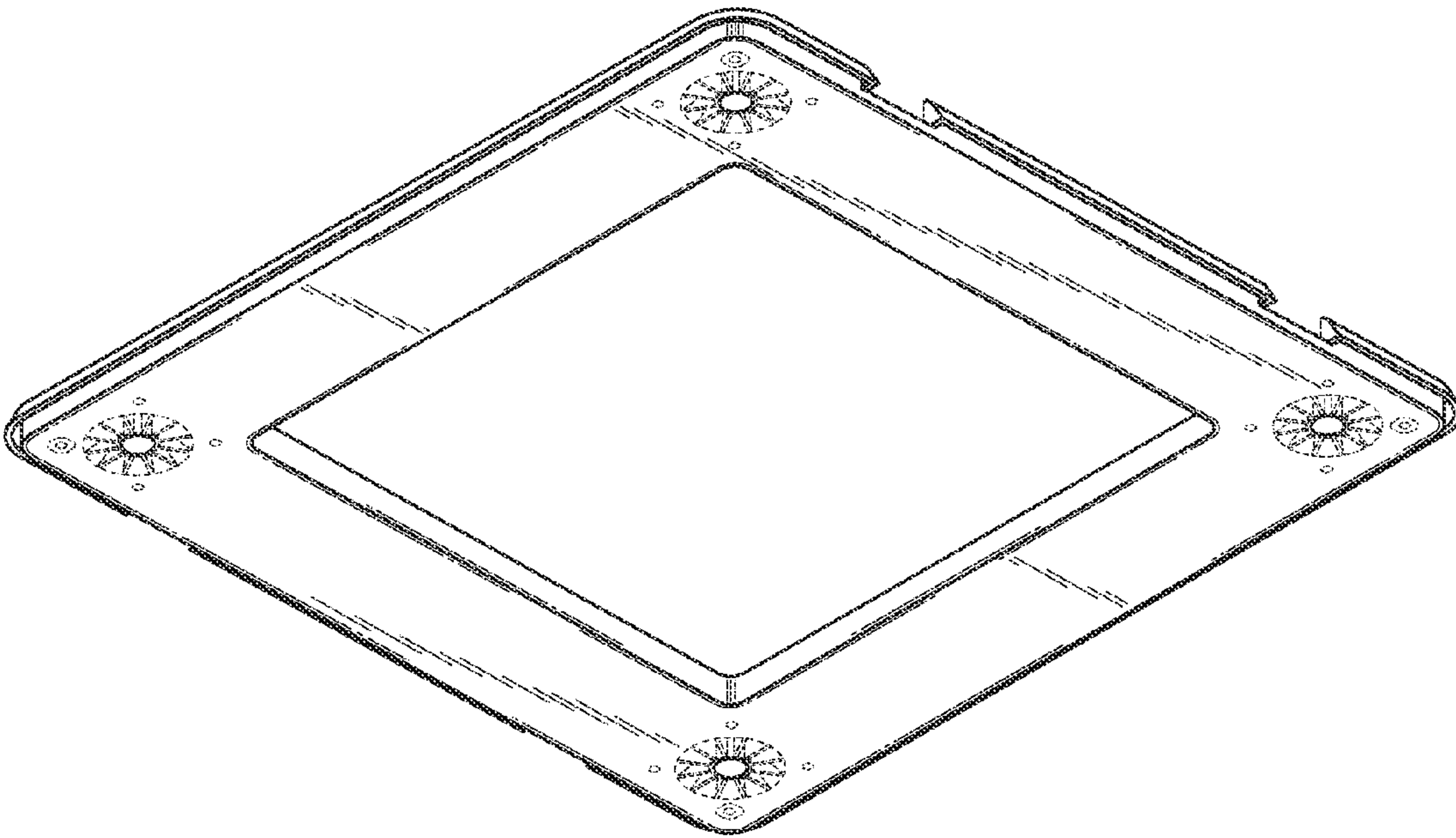


Fig. 2

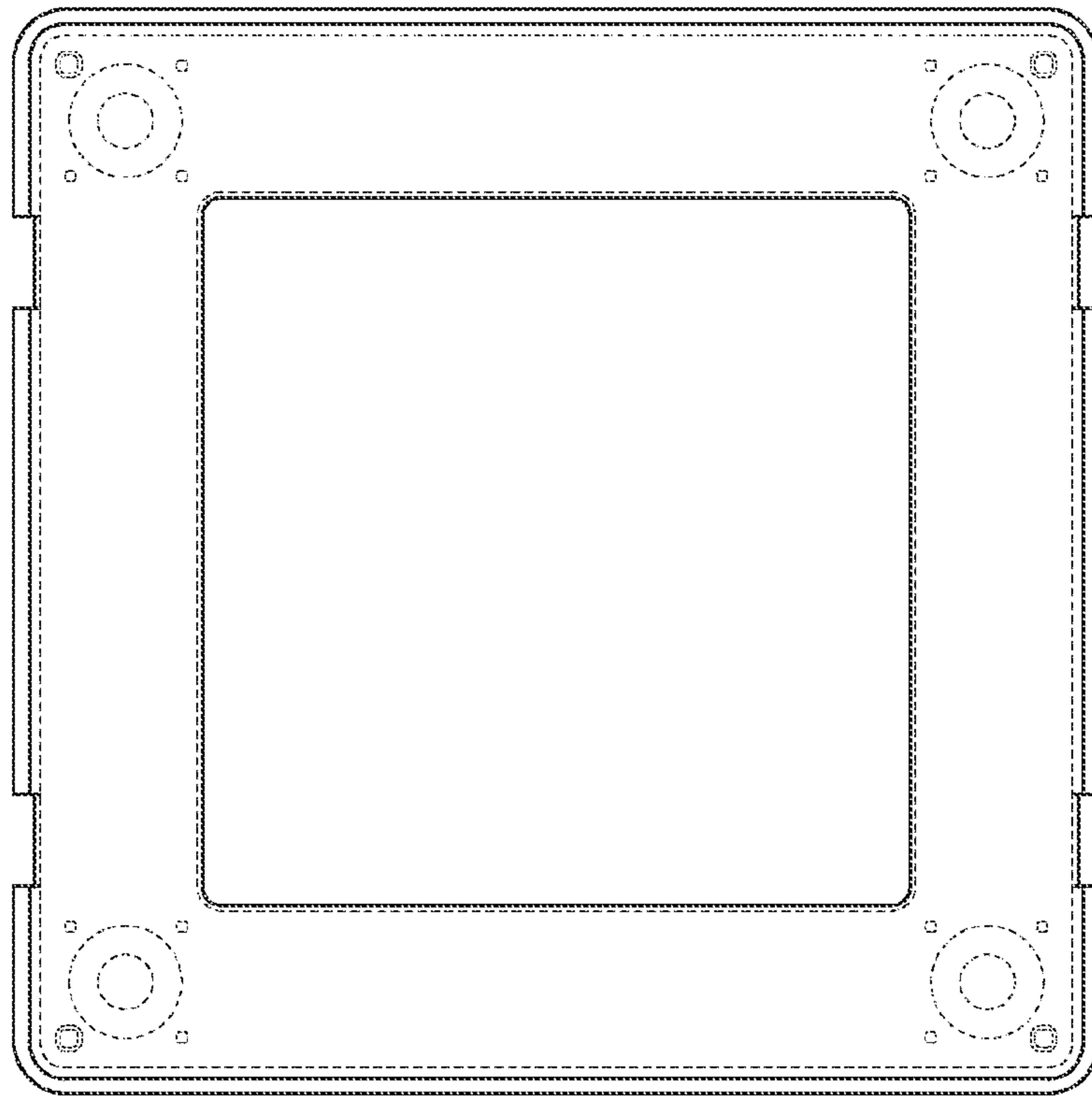


Fig. 3

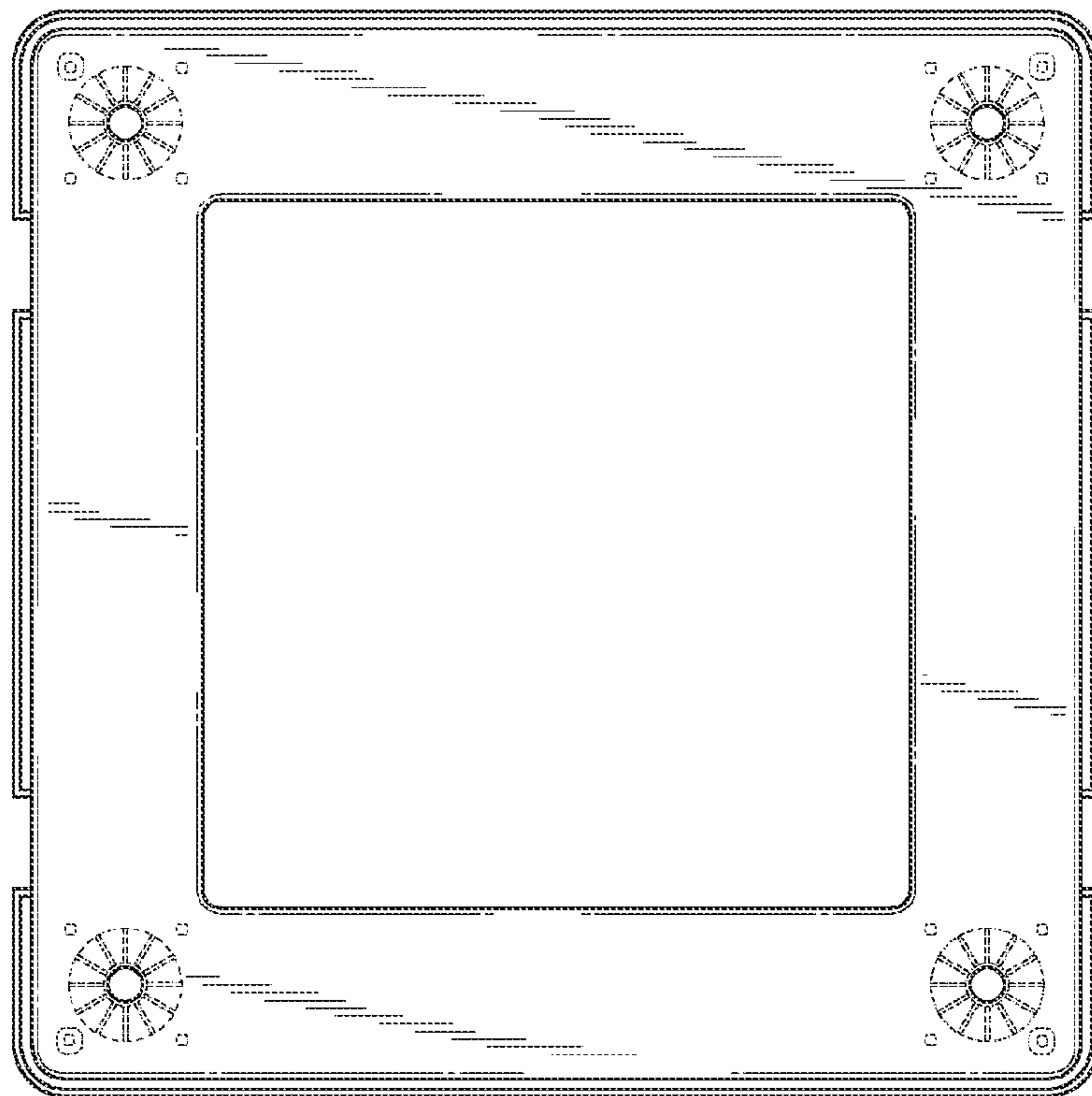


Fig. 4

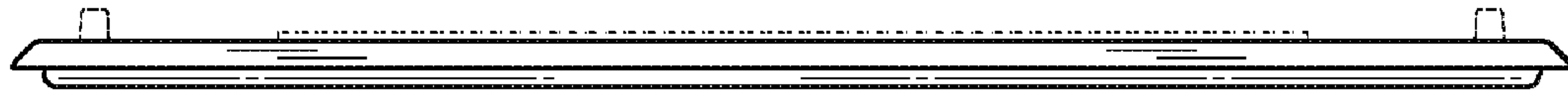


Fig. 5



Fig. 6

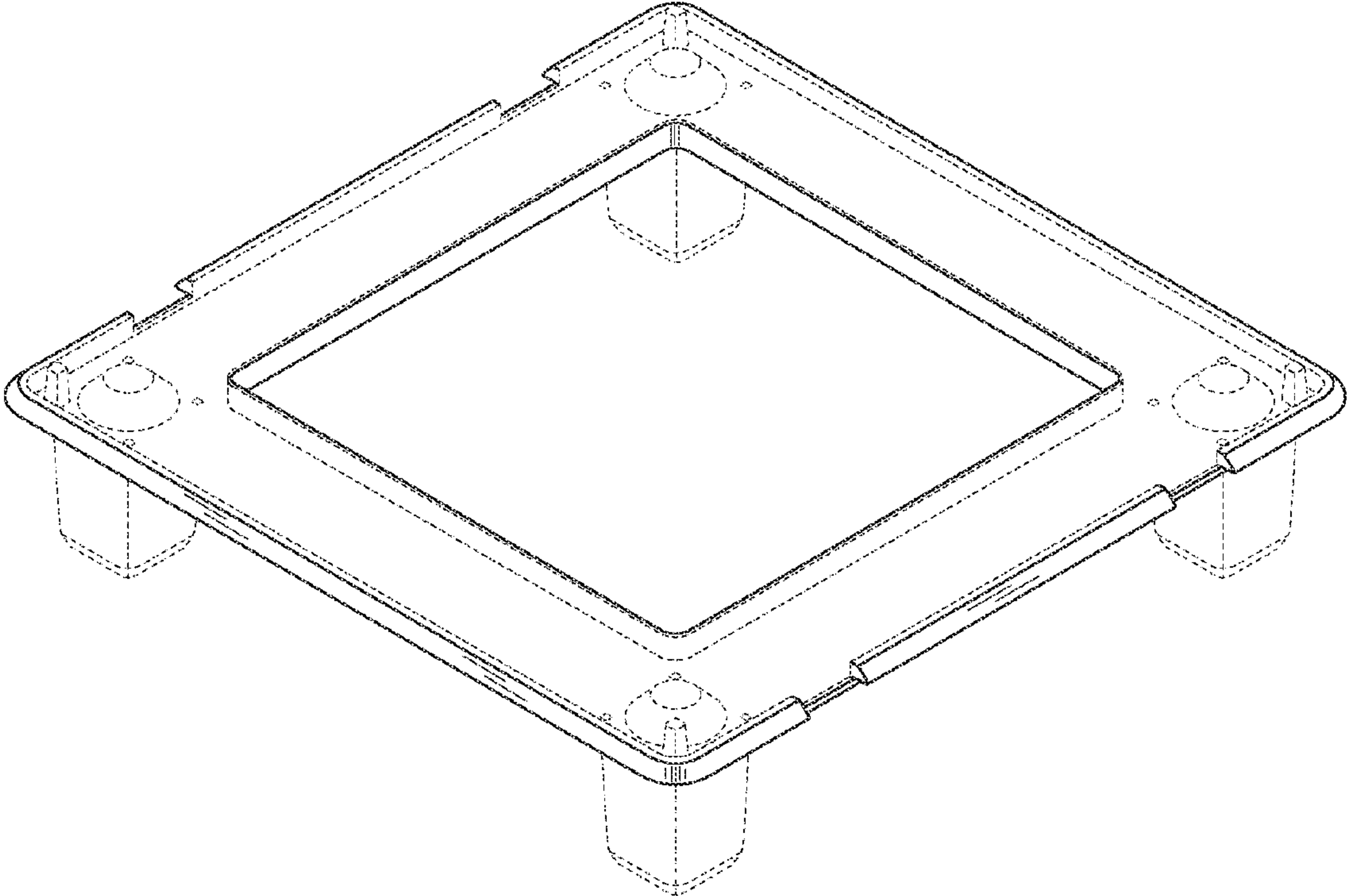


Fig. 7

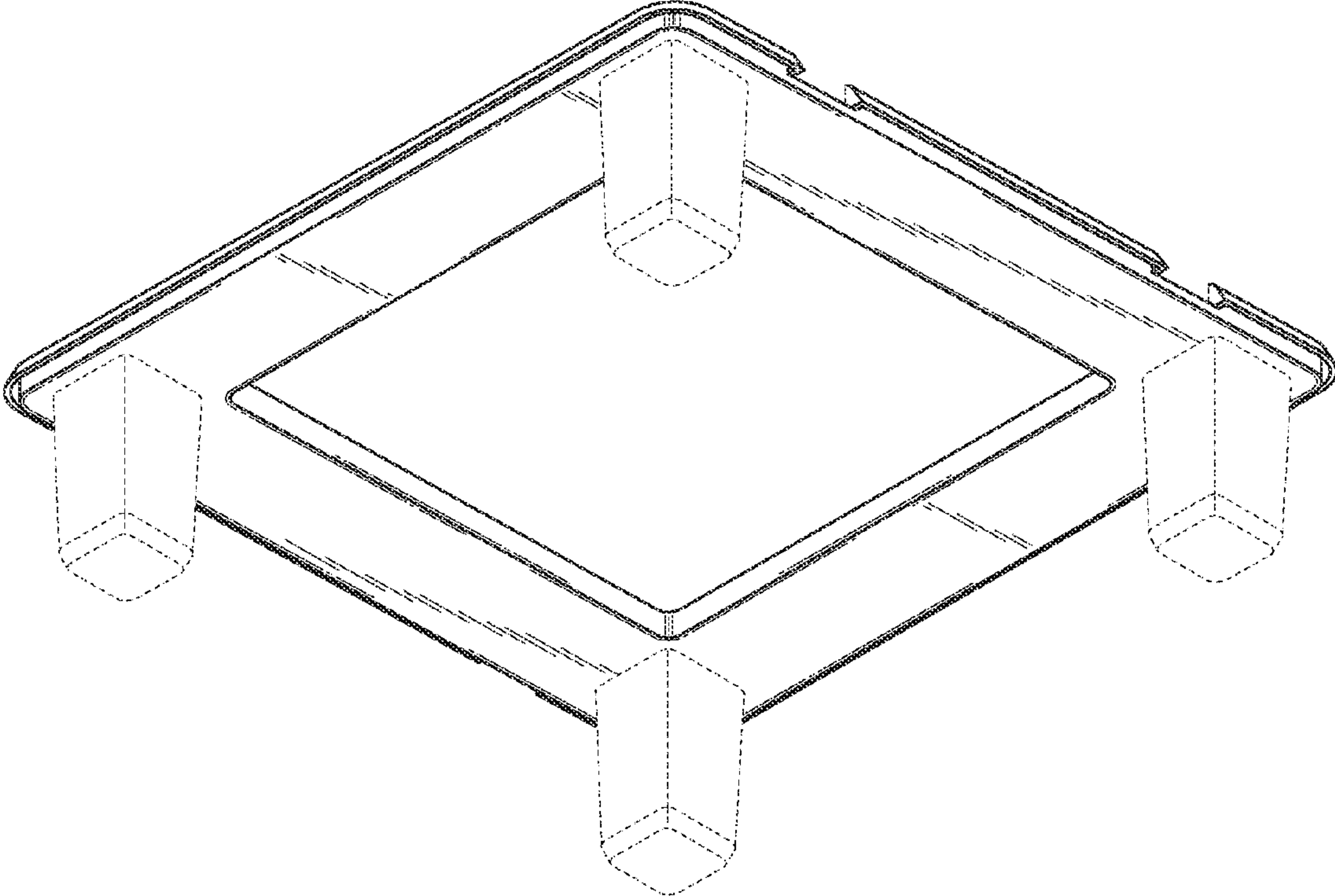


Fig. 8

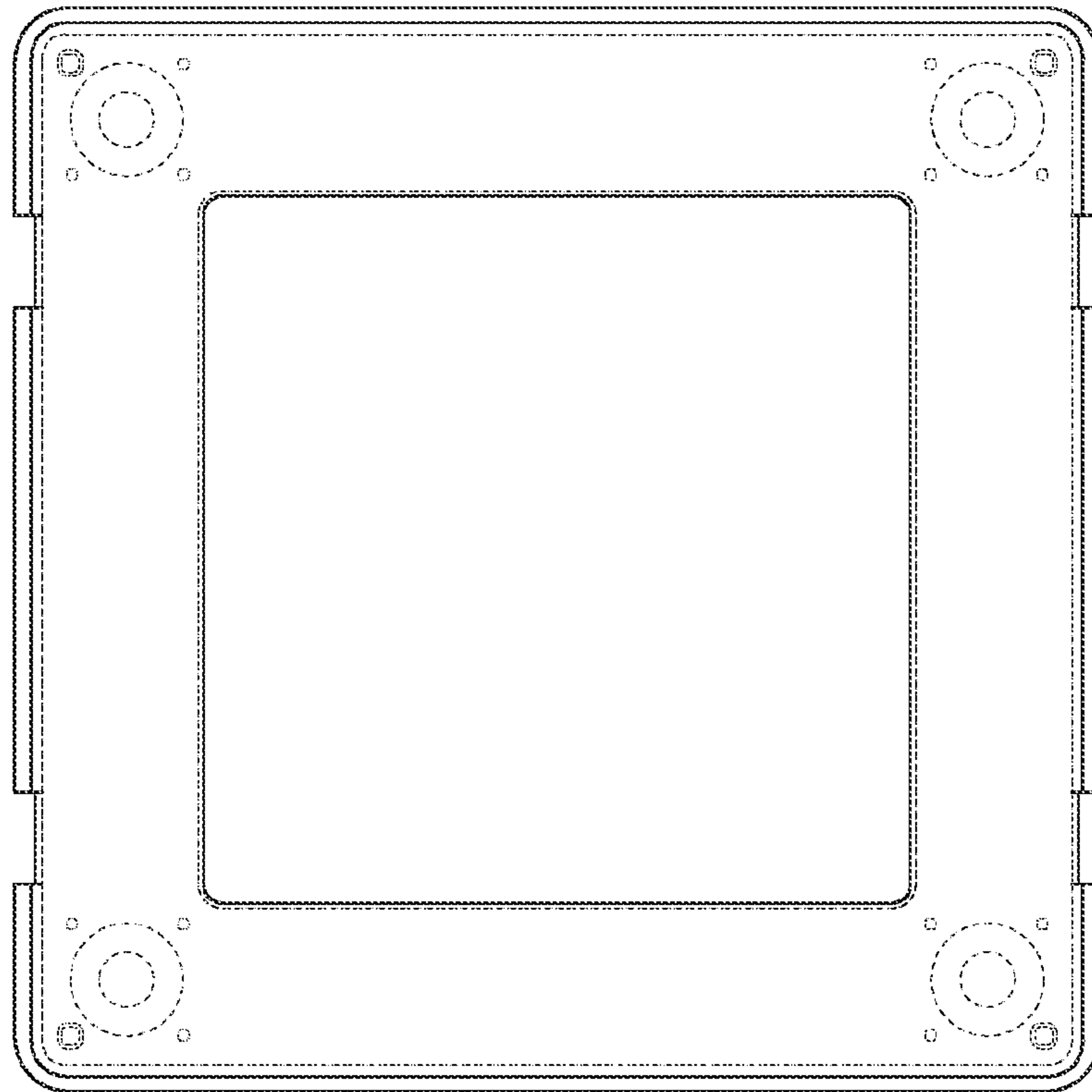


Fig. 9

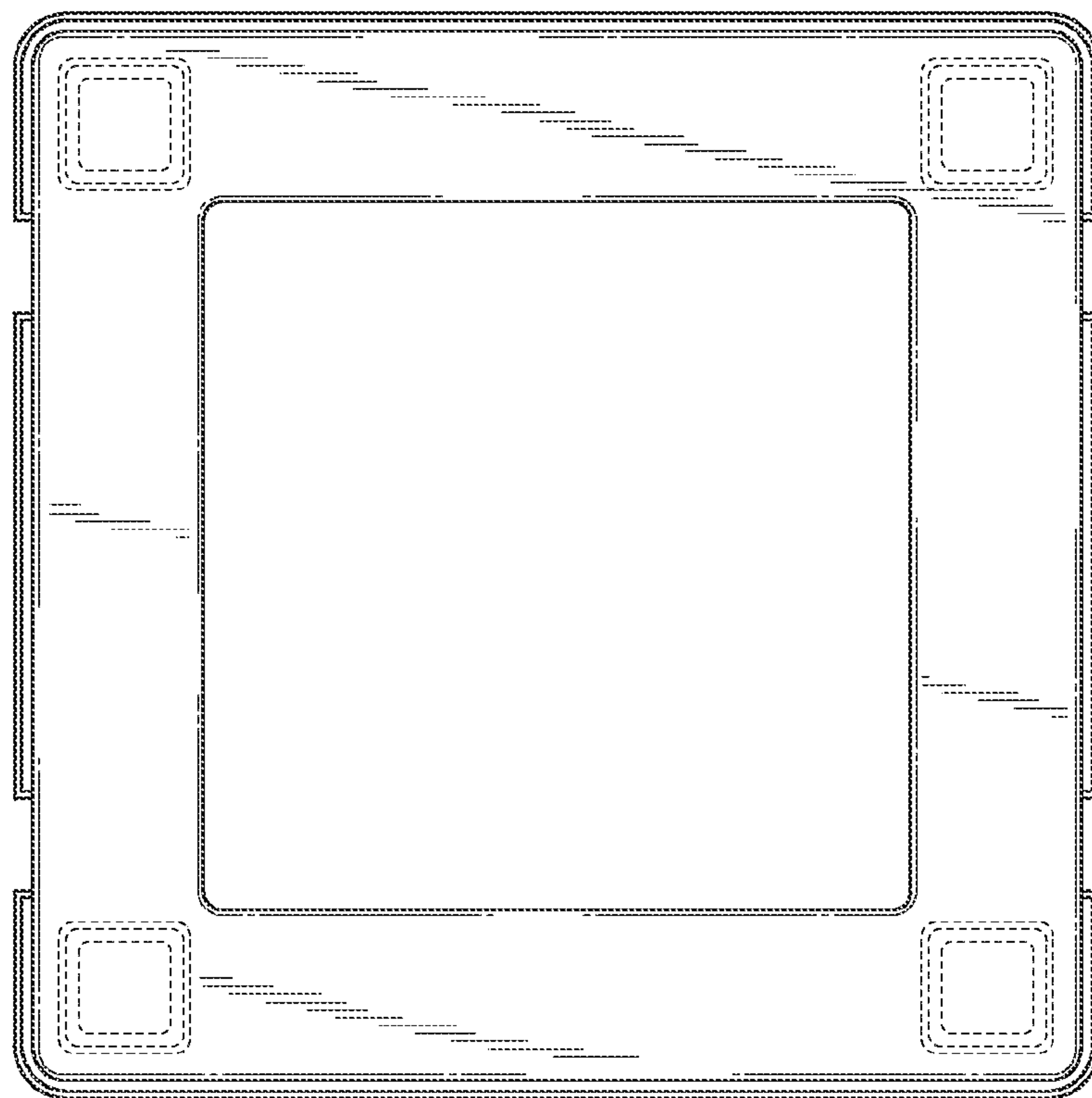


Fig. 10

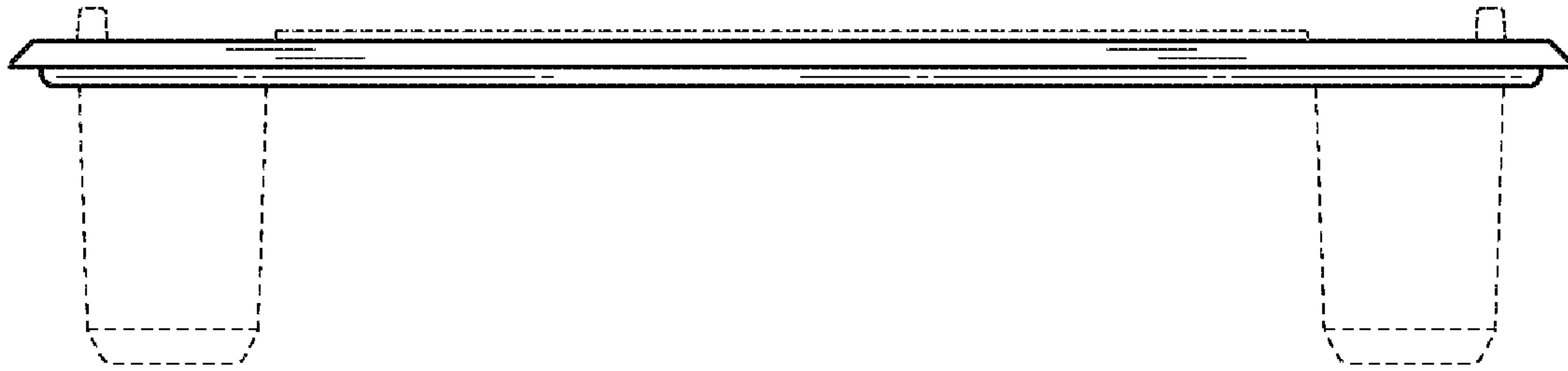


Fig. 11

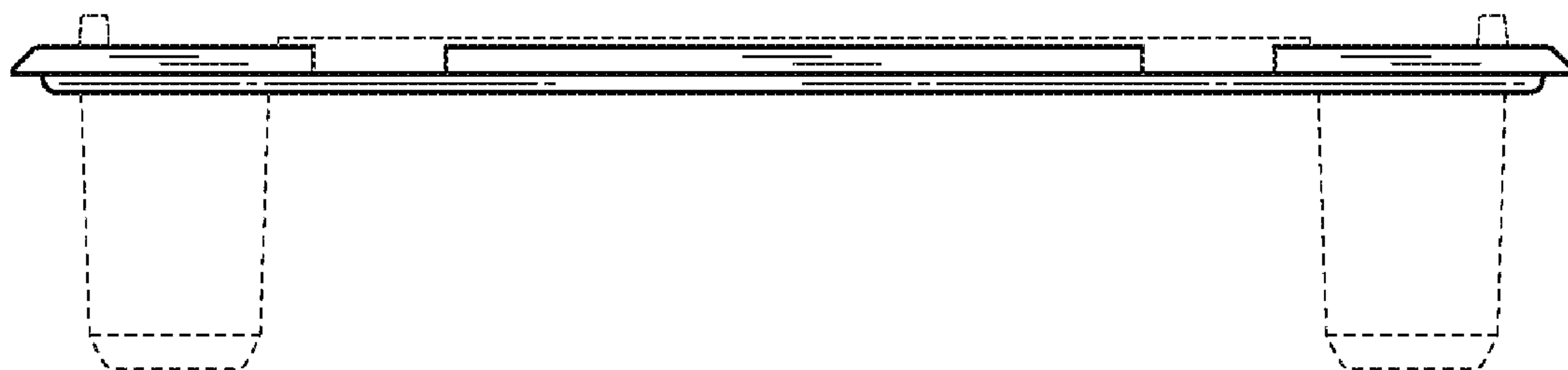


Fig. 12

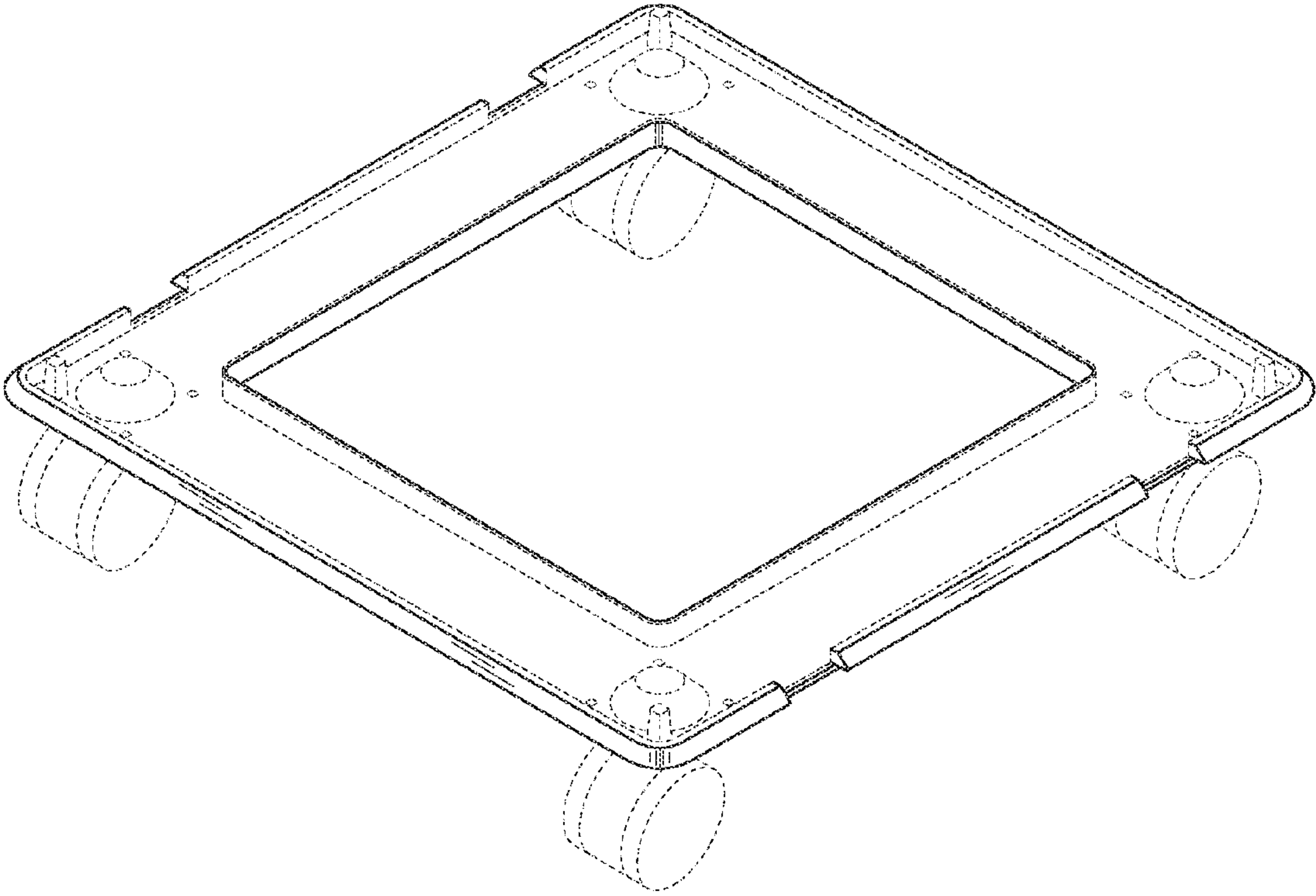


Fig. 13

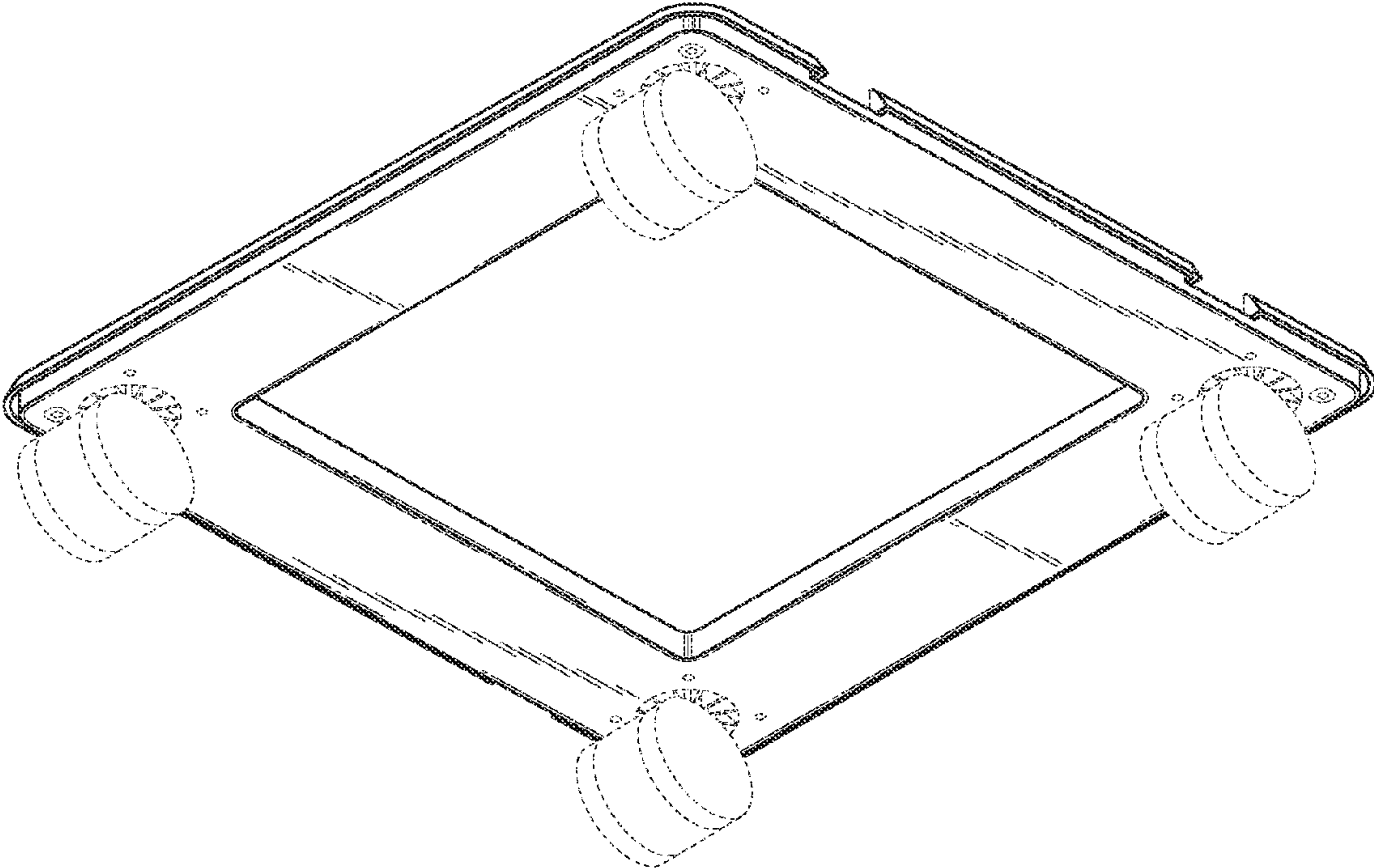


Fig. 14

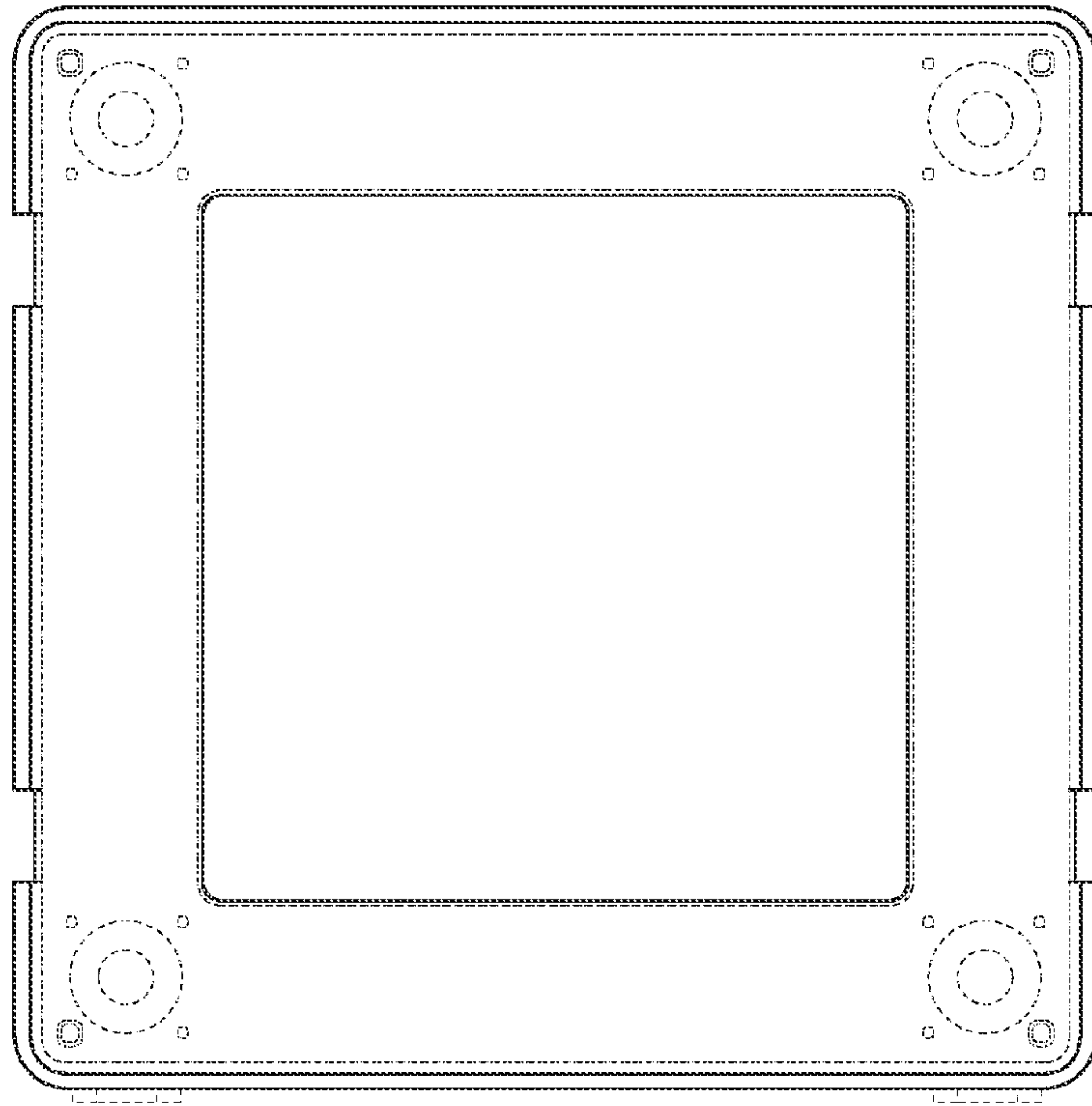


Fig. 15

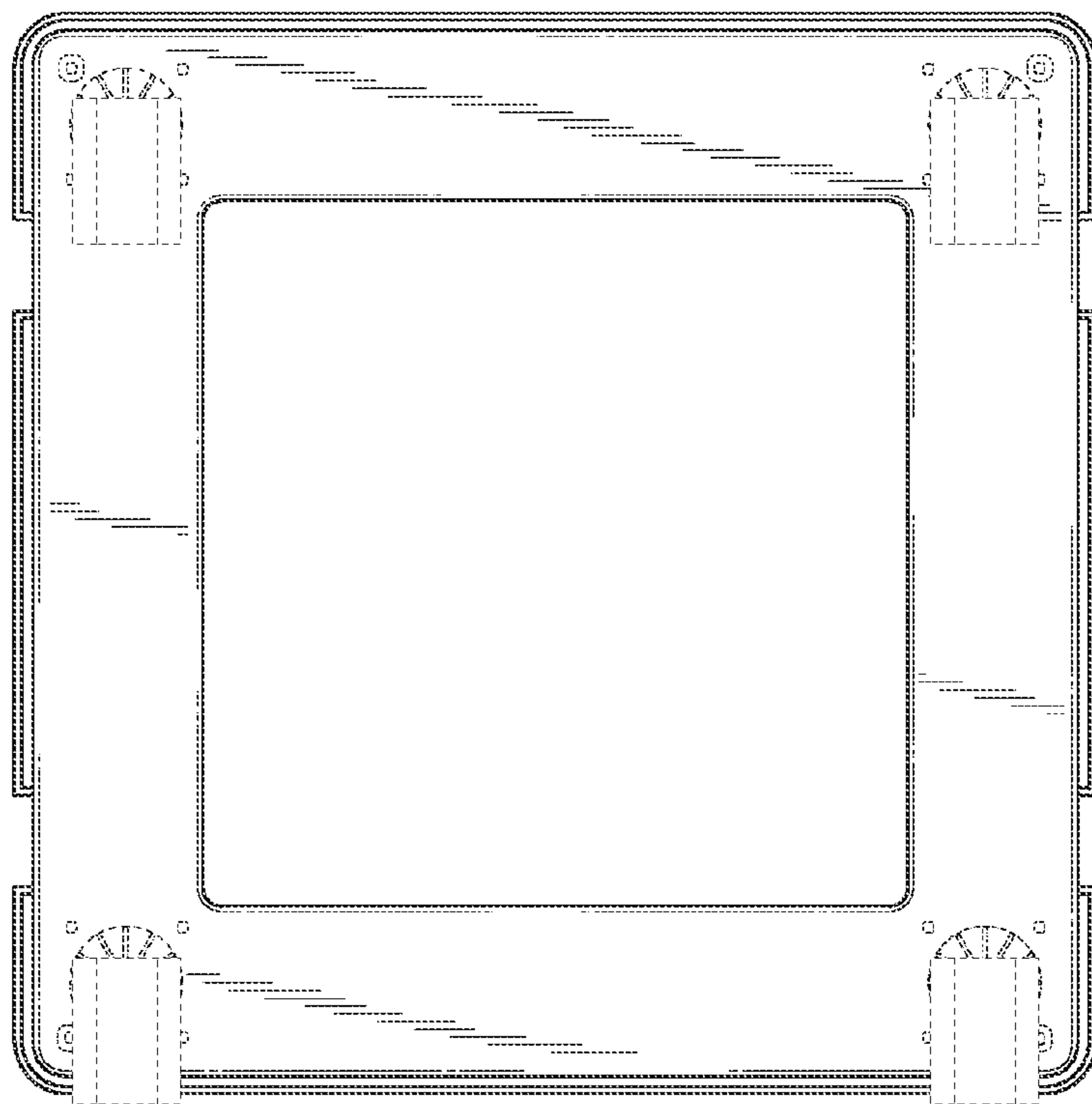


Fig. 16

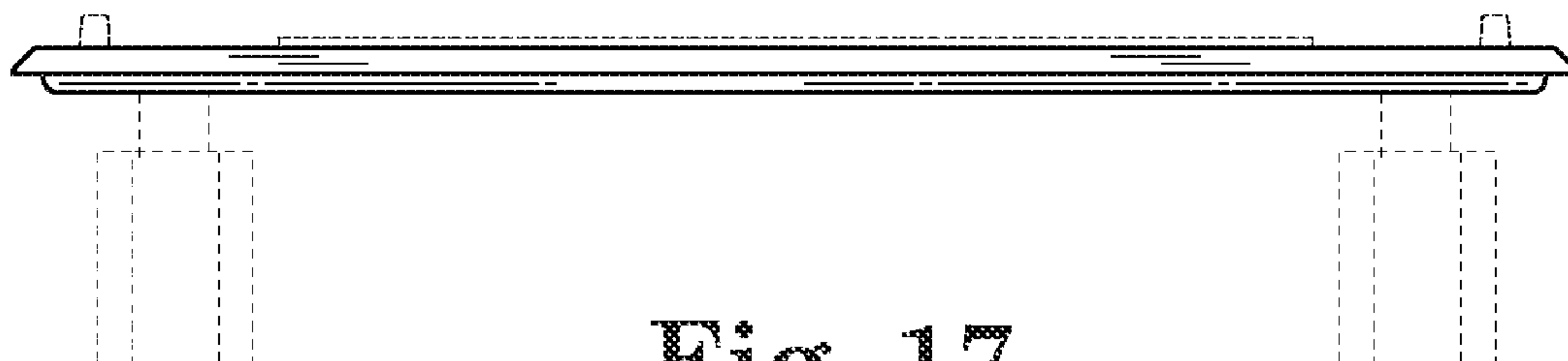


Fig. 17

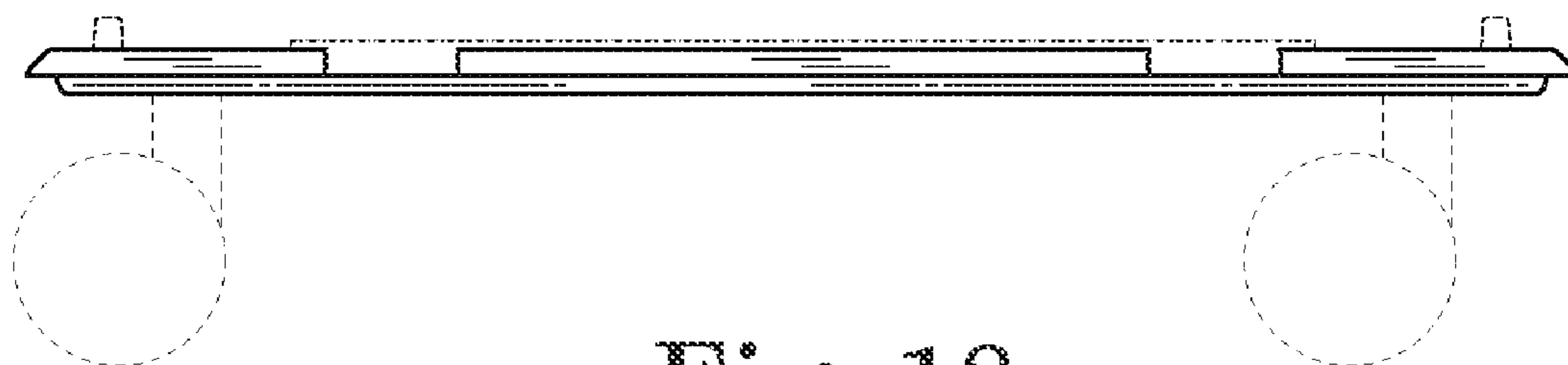


Fig. 18