



US00D634566S

(12) **United States Design Patent**
Gonnelli

(10) **Patent No.:** **US D634,566 S**
(45) **Date of Patent:** **** Mar. 22, 2011**

(54) **BOTTLE STAND**

(76) Inventor: **Piero Gonnelli**, Reggello (IT)

(**) Term: **14 Years**

(21) Appl. No.: **29/310,307**

(22) Filed: **Aug. 8, 2008**

(30) **Foreign Application Priority Data**

Feb. 8, 2008 (EM) 000875687
May 13, 2008 (EM) 000934179

(51) **LOC (9) Cl.** **06-04**

(52) **U.S. Cl.** **D6/469**

(58) **Field of Classification Search** D6/466,
D6/469, 457, 467, 449, 476, 460, 553, 462-465,
D6/574, 397, 475, 455, 552; 211/70, 74,
211/77, 78, 71.01, 133.1, 133.4, 85.18, 95,
211/60.1, 62, 68, 163, 70.2, 70.8; D3/313,
D3/304, 309-314; D7/640, 600.4, 600.1,
D7/600.2, 615, 701; D11/147, 152, 143;
D28/73; 248/176.1, 121; 206/315.11

See application file for complete search history.

(56) **References Cited**

U.S. PATENT DOCUMENTS

D216,713 S * 3/1970 Uchwach D6/457
D234,381 S * 2/1975 Berger D6/469

D252,659 S * 8/1979 Brickman D6/429
D279,444 S * 7/1985 McDonald D6/511
4,795,038 A * 1/1989 Johnson 211/74
D342,844 S * 1/1994 Rittenberg D6/462
D480,938 S * 10/2003 Whitley D8/71
D495,880 S * 9/2004 Warren, III D3/313
D502,786 S * 3/2005 Cheung D28/73
D550,492 S * 9/2007 Fagundes-Daher D6/552

* cited by examiner

Primary Examiner — Caron Veynar

Assistant Examiner — Abraham Bahta

(74) *Attorney, Agent, or Firm* — Pollack, P.C.

(57) **CLAIM**

An ornamental design for a bottle stand, substantially as shown and described.

DESCRIPTION

FIG. 1 is a perspective view of a bottle stand showing my new design;

FIG. 2 is a front view of the bottle stand shown in FIG. 1, with bottles arranged thereon for purposes of illustration;

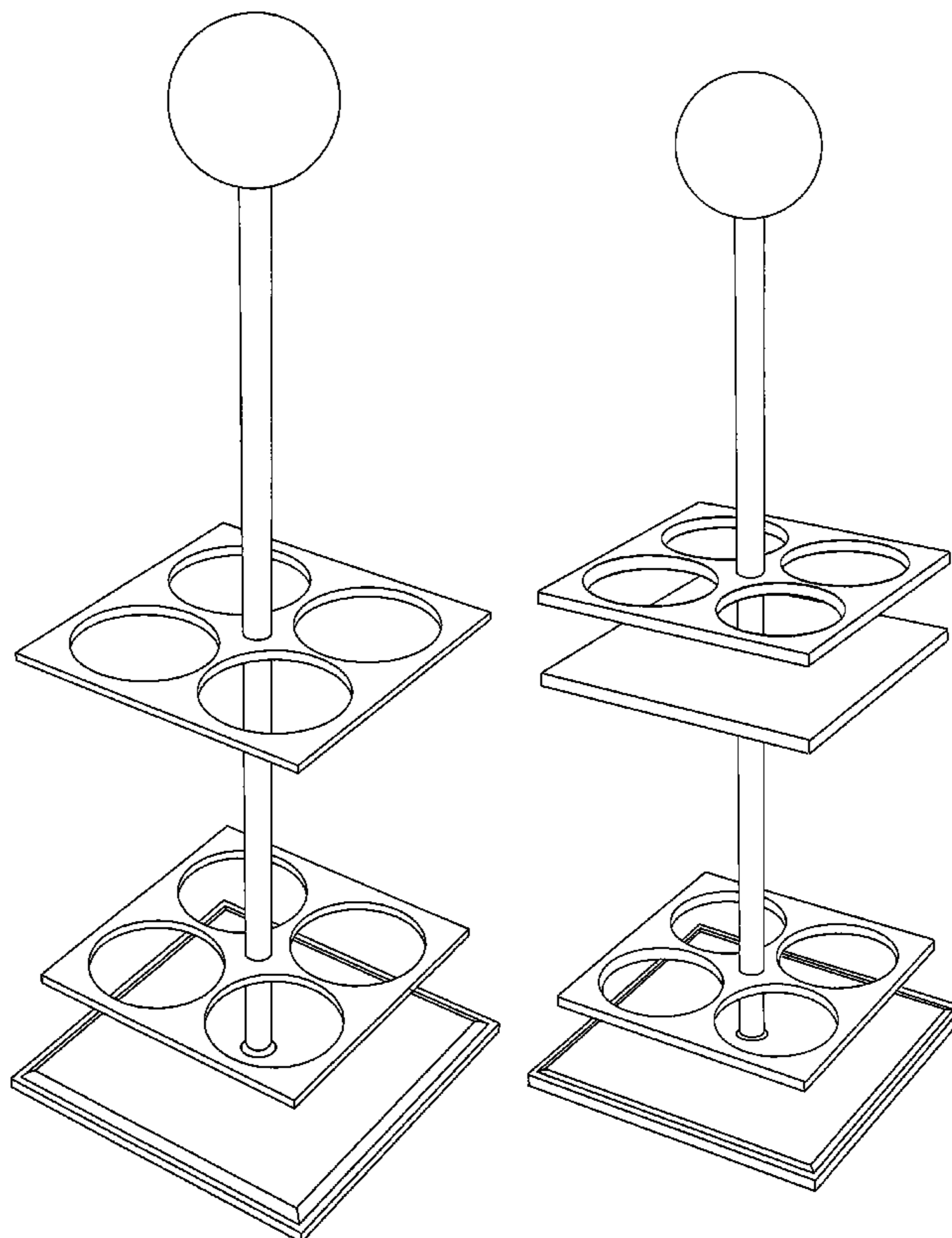
FIG. 3 is a plan view of the bottle stand set forth in FIG. 1;

FIG. 4 is a perspective view of a bottle stand according to another embodiment of my new design;

FIG. 5 is a front view of the bottle stand shown in FIG. 4, with bottles arranged thereon for purposes of illustration; and,

FIG. 6 is a plan view of the bottle stand illustrated in FIG. 4. The bottles represented with dashed line in the figures are only for environmental purposes and are not to be considered as a limitation to the design.

1 Claim, 6 Drawing Sheets



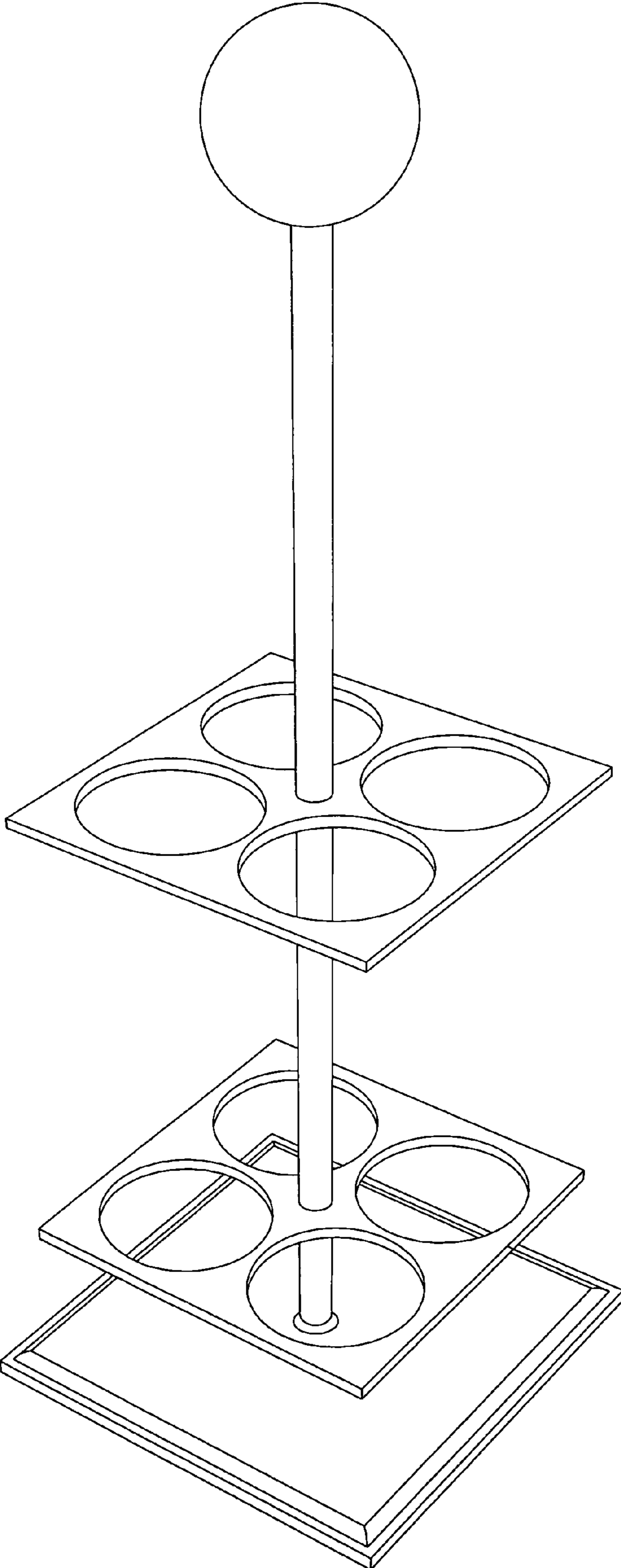


FIG. 1

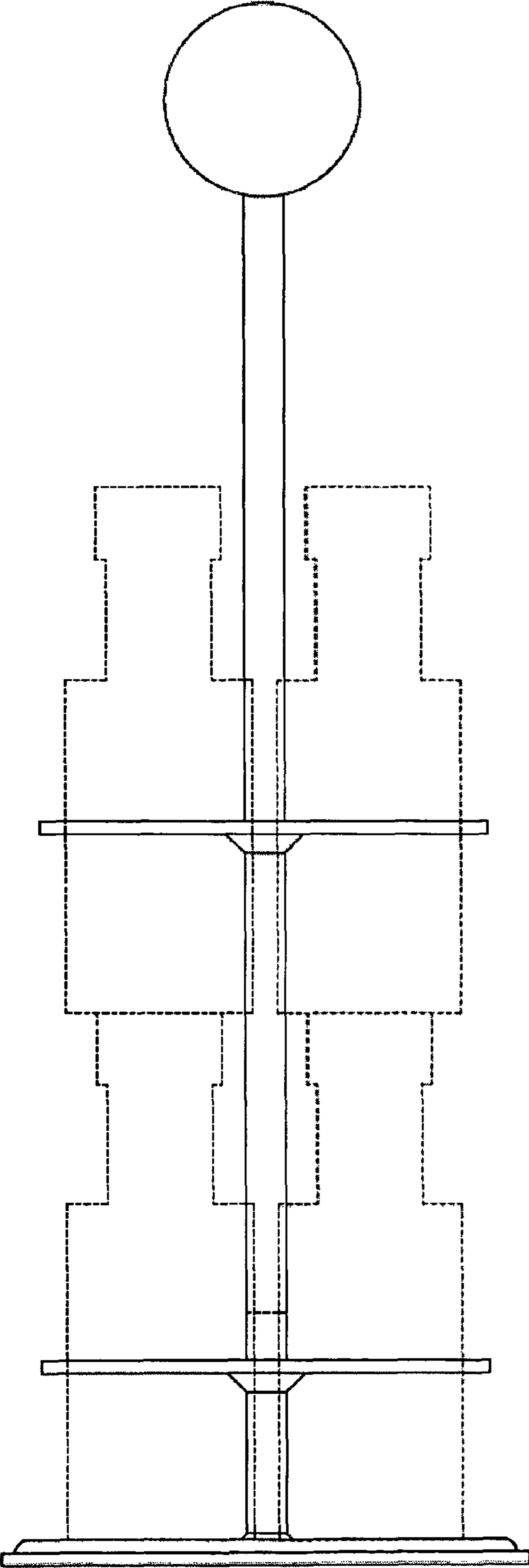


FIG. 2

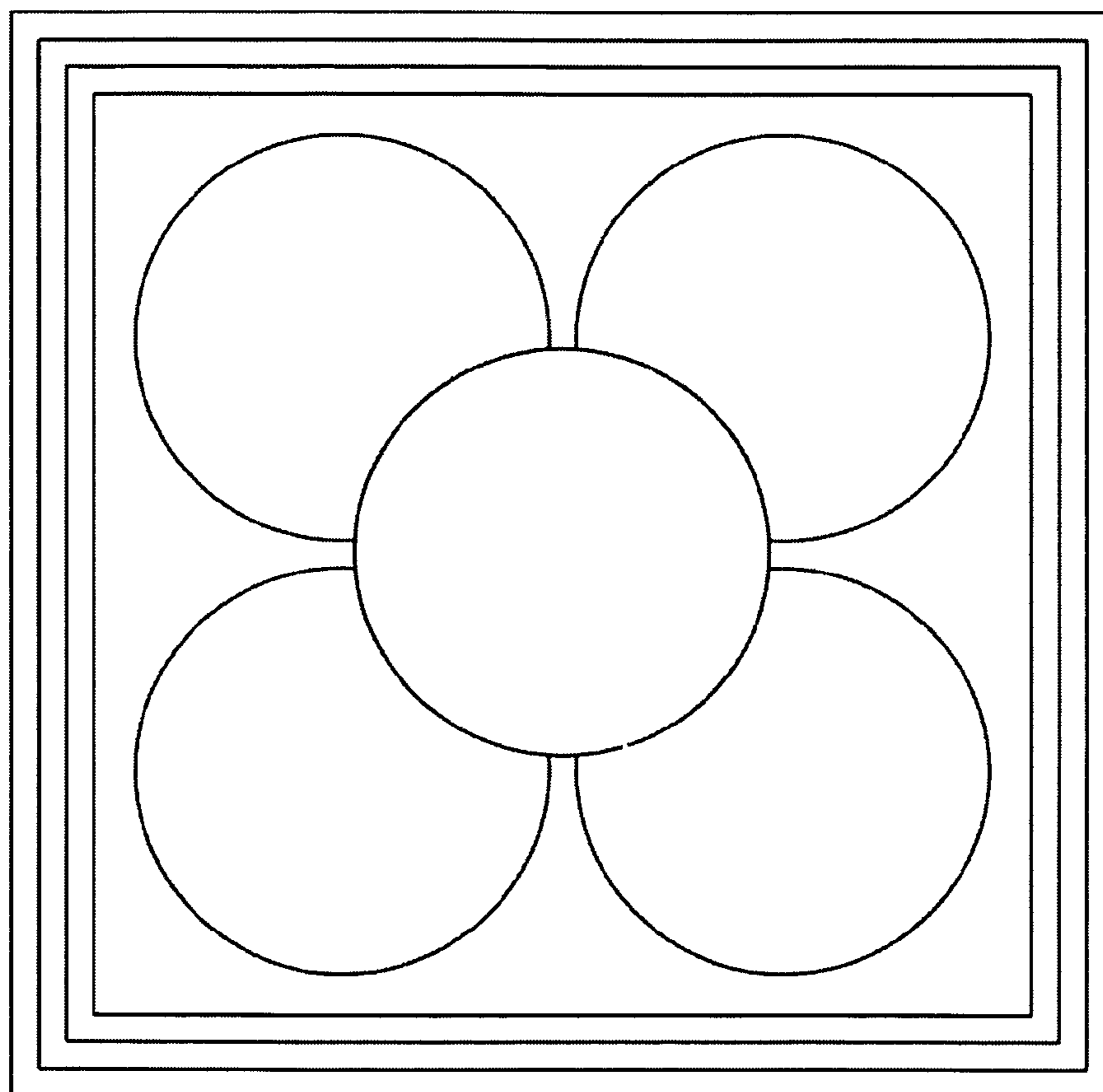


FIG. 3

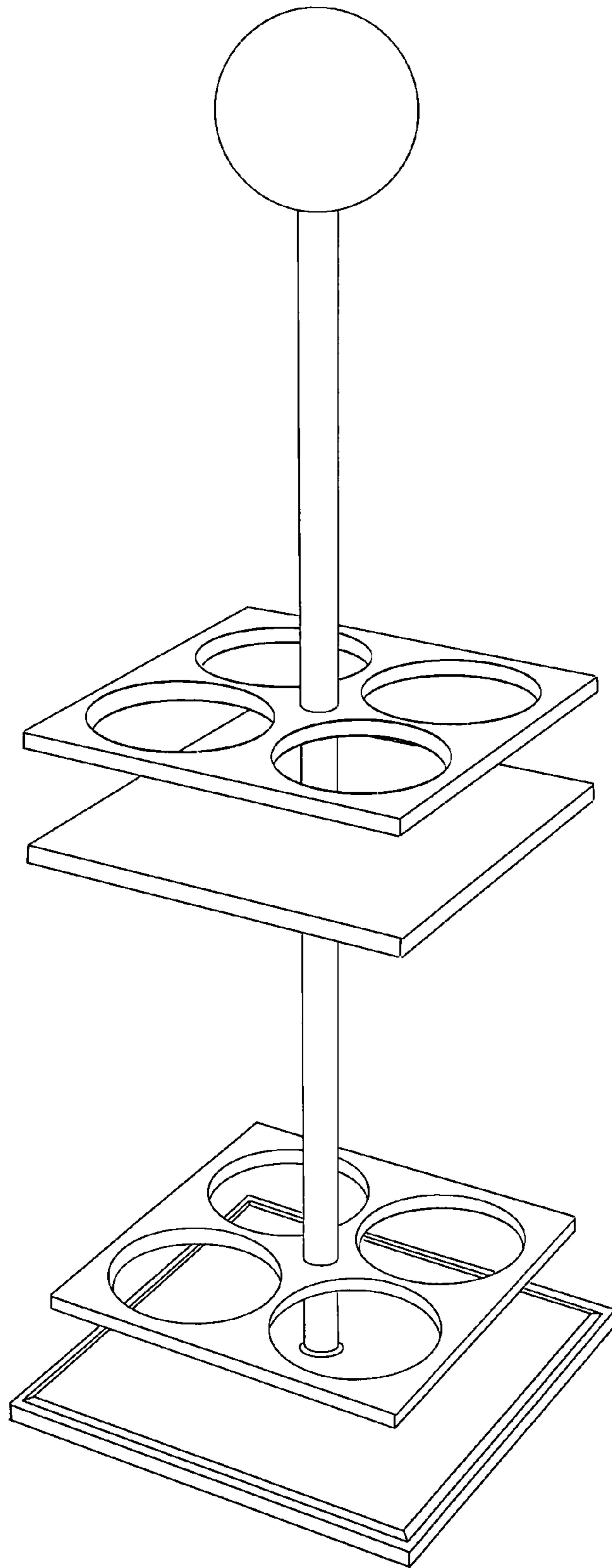


FIG. 4

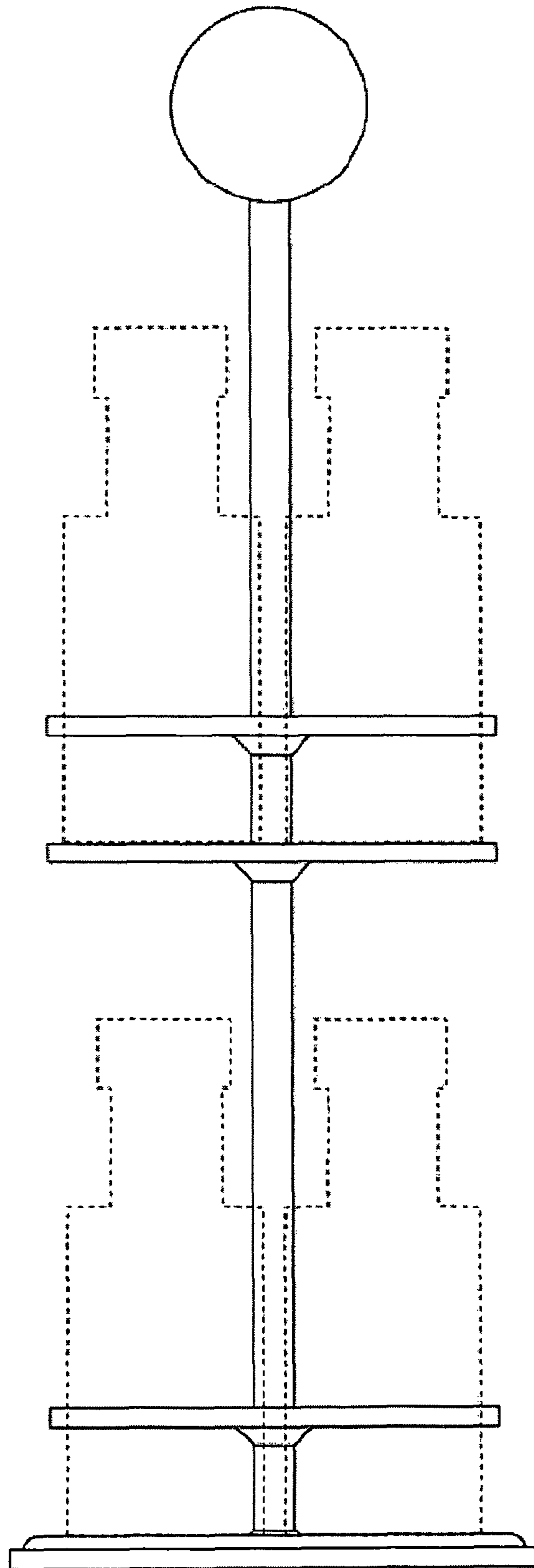


FIG. 5

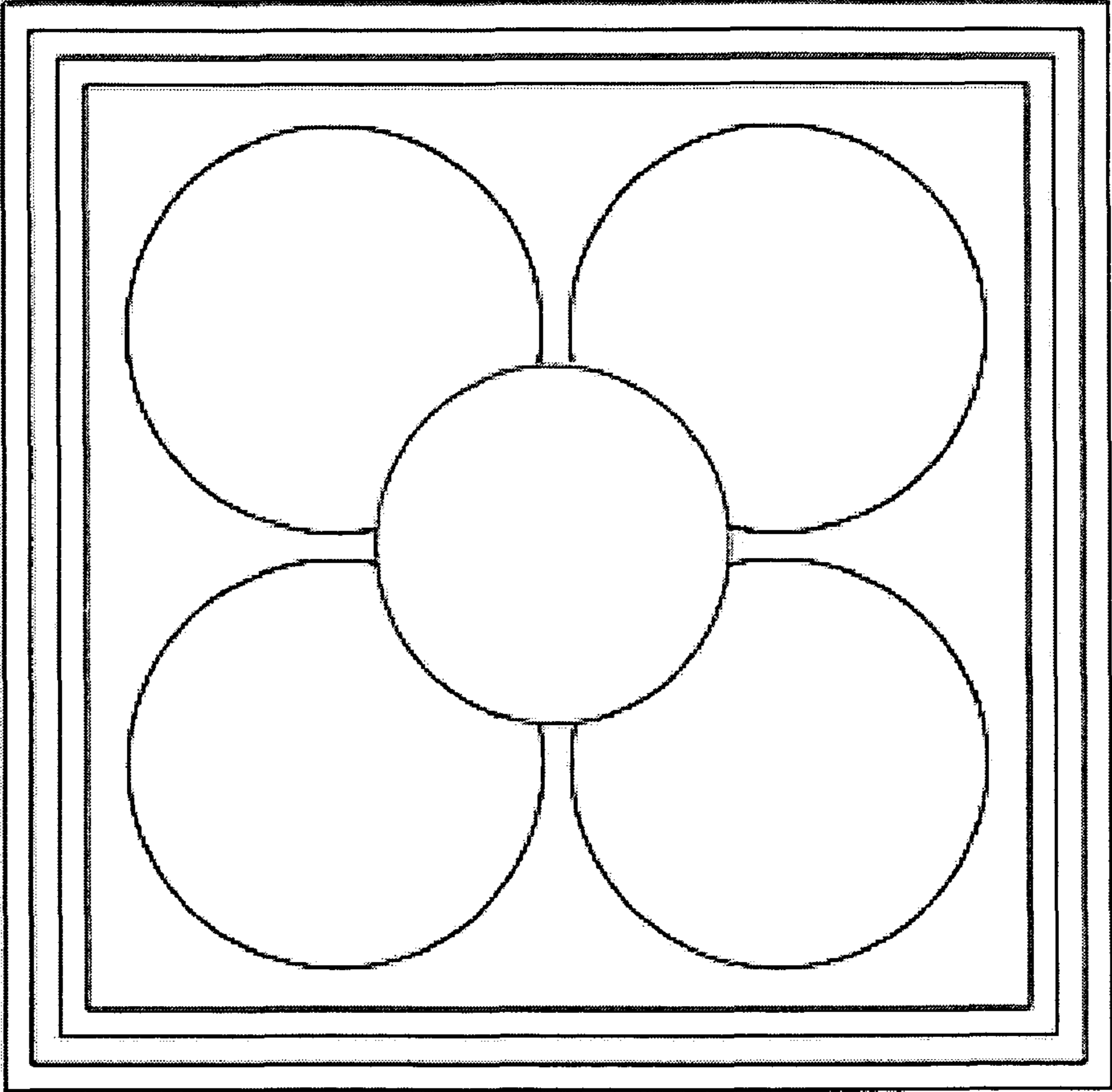


FIG. 6