



US00D634565S

(12) **United States Design Patent**
Goldberg

(10) **Patent No.:** **US D634,565 S**

(45) **Date of Patent:** **** Mar. 22, 2011**

(54) **DISPLAY FOR RINGS**

(75) Inventor: **Mark H. Goldberg**, Davie, FL (US)

(73) Assignee: **Lamar Creations, Inc.**, Helen, GA (US)

(**) Term: **14 Years**

(21) Appl. No.: **29/343,055**

(22) Filed: **Sep. 4, 2009**

(51) **LOC (9) Cl.** **06-04**

(52) **U.S. Cl.** **D6/466**

(58) **Field of Classification Search** D6/396-397,
D6/449, 455, 466, 469, 491, 495, 512, 521;
D3/903; D28/73, 81-83, 89; 211/85.2; 108/85.2;
40/639; 248/188.1; D7/553.4, 553.5, 553.6,
D7/553.7, 553.8, 554.1-554.4
See application file for complete search history.

(56) **References Cited**

U.S. PATENT DOCUMENTS

D209,357 S *	11/1967	Semler	D6/466
D239,796 S *	5/1976	Williams	D6/466
4,043,452 A *	8/1977	Ross	206/343
D379,410 S *	5/1997	Porcaro	D6/466
D575,556 S *	8/2008	Rohkar, Jr.	D6/466
D607,666 S *	1/2010	Isbell	D6/449

* cited by examiner

Primary Examiner — Caron Veynar

Assistant Examiner — Abraham Bahta

(74) *Attorney, Agent, or Firm* — Thomas, Kayden,
Horstemeyer & Risley, LLP

(57) **CLAIM**

The ornamental design of a display for rings, as shown and described.

DESCRIPTION

FIG. 1 is a perspective view of a first embodiment of the display for rings showing my new design;

FIG. 2 is a side elevation view thereof;

FIG. 3 is a front elevational view of the display for rings taken along lines 3—3 in FIG. 2;

FIG. 4 is a top plan view of the display for rings taken along lines 4—4 in FIG. 2;

FIG. 5 is a cross-sectional view of the display for rings taken along lines 5—5 in FIG. 4;

FIG. 6 is a perspective view of a second embodiment of the display for rings;

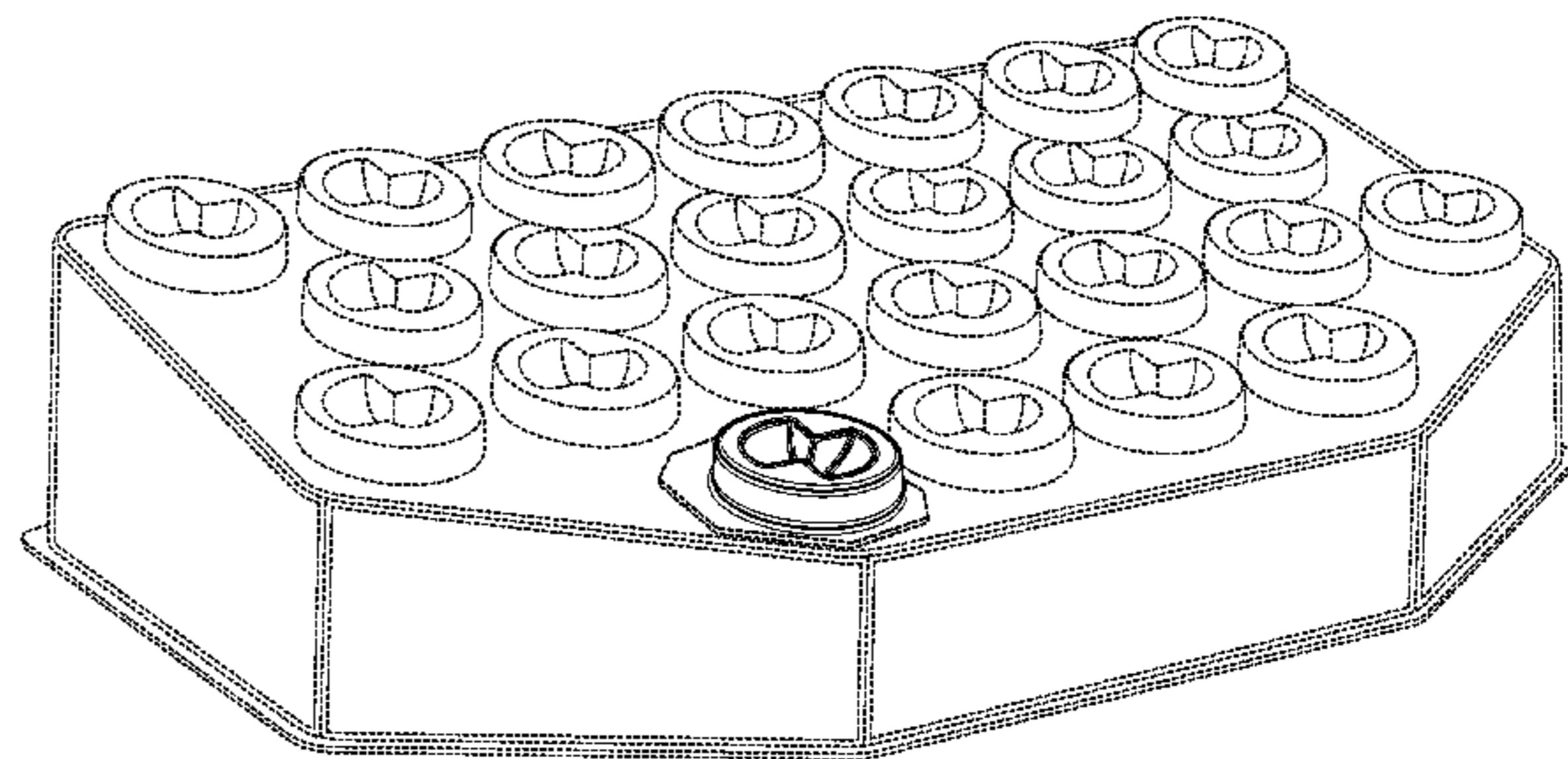
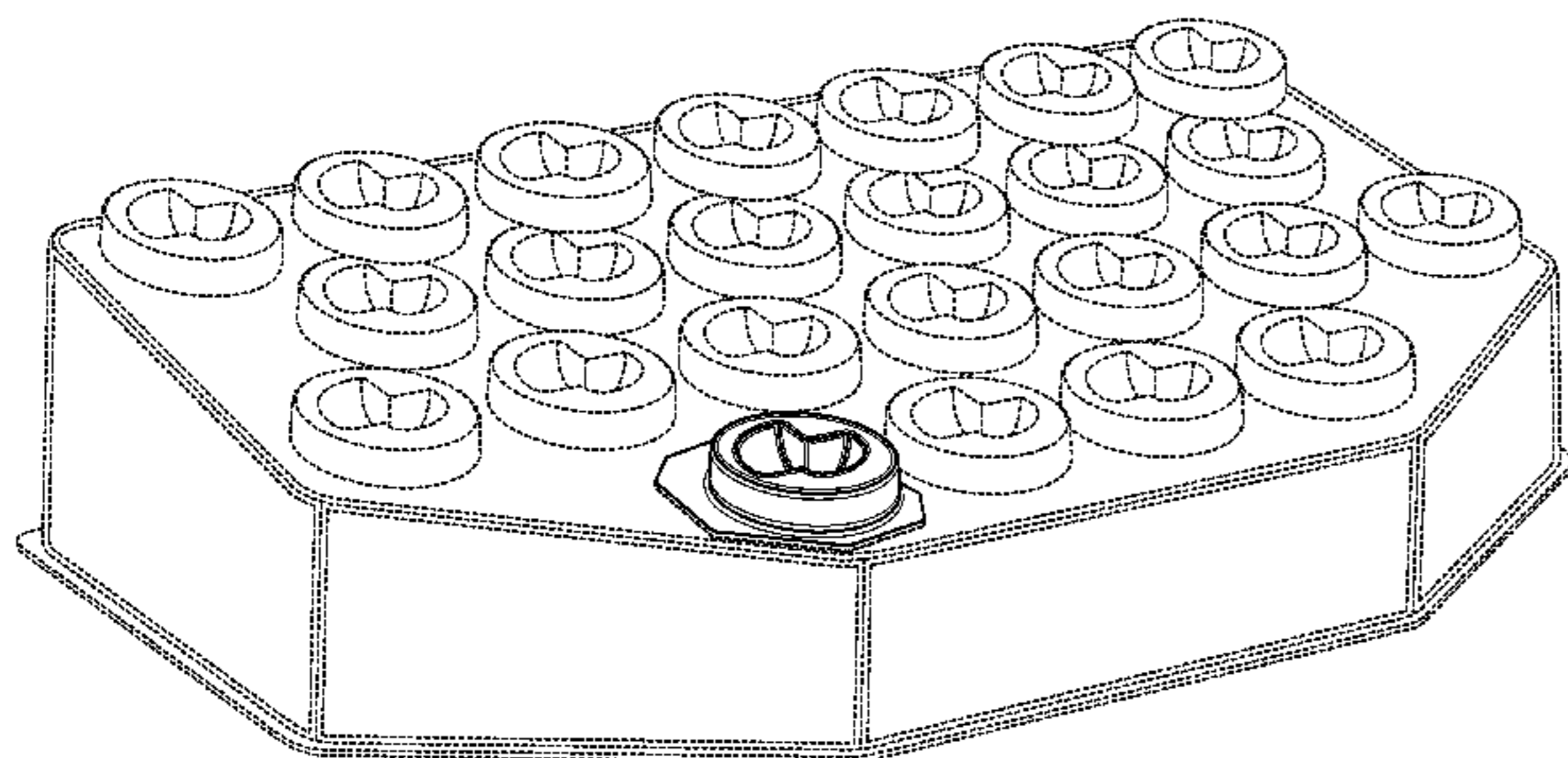
FIG. 7 is a front elevation of the display for rings shown in FIG. 6;

FIG. 8 is a top plan view of the display for rings shown in FIG. 6; and,

FIG. 9 is a cross-sectional view of the display for rings taken along lines 9—9 in FIG. 8.

The broken line showing of portions of the display for rings is included for the purpose of illustrating environmental structure and forms no part of the claimed design.

1 Claim, 5 Drawing Sheets



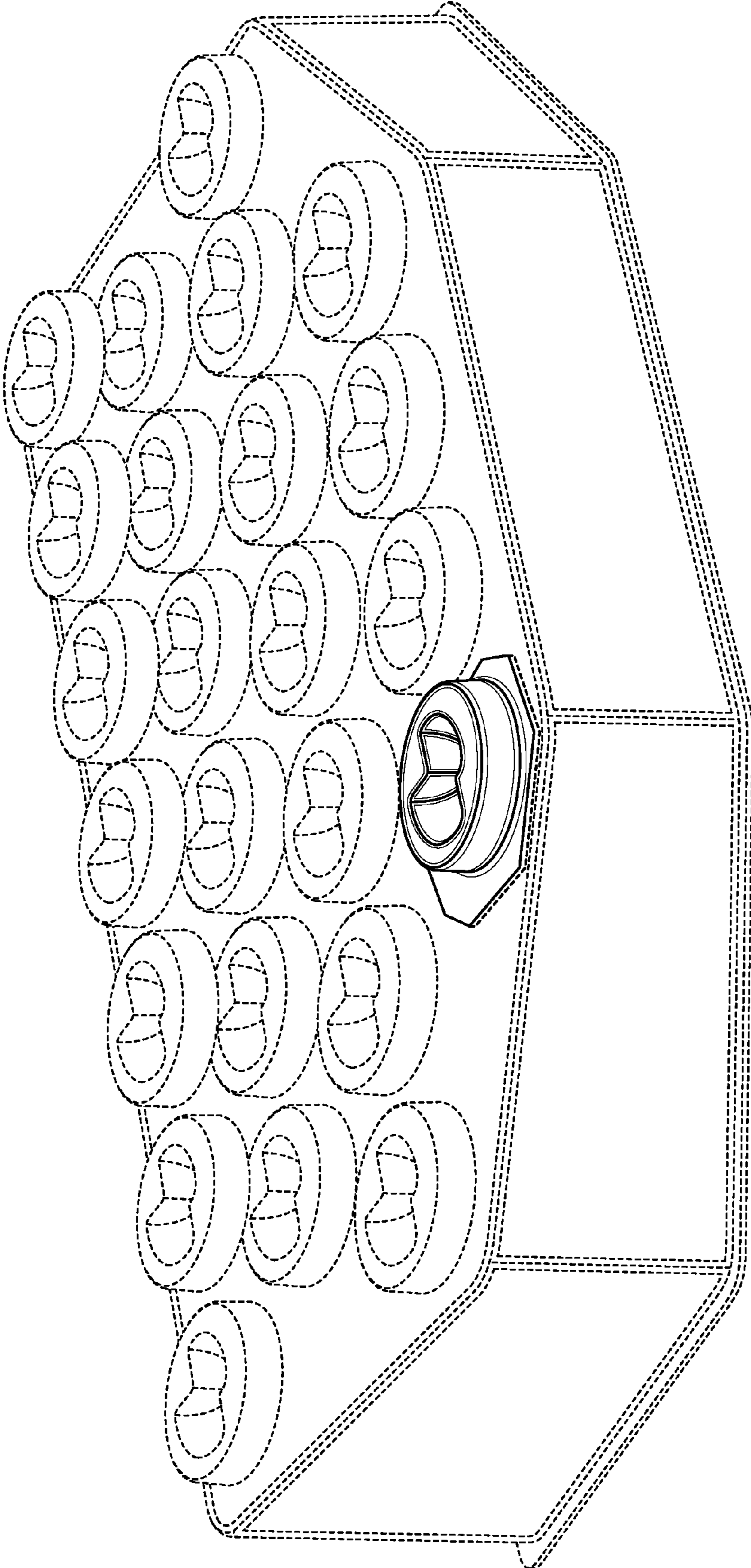


FIG. 1

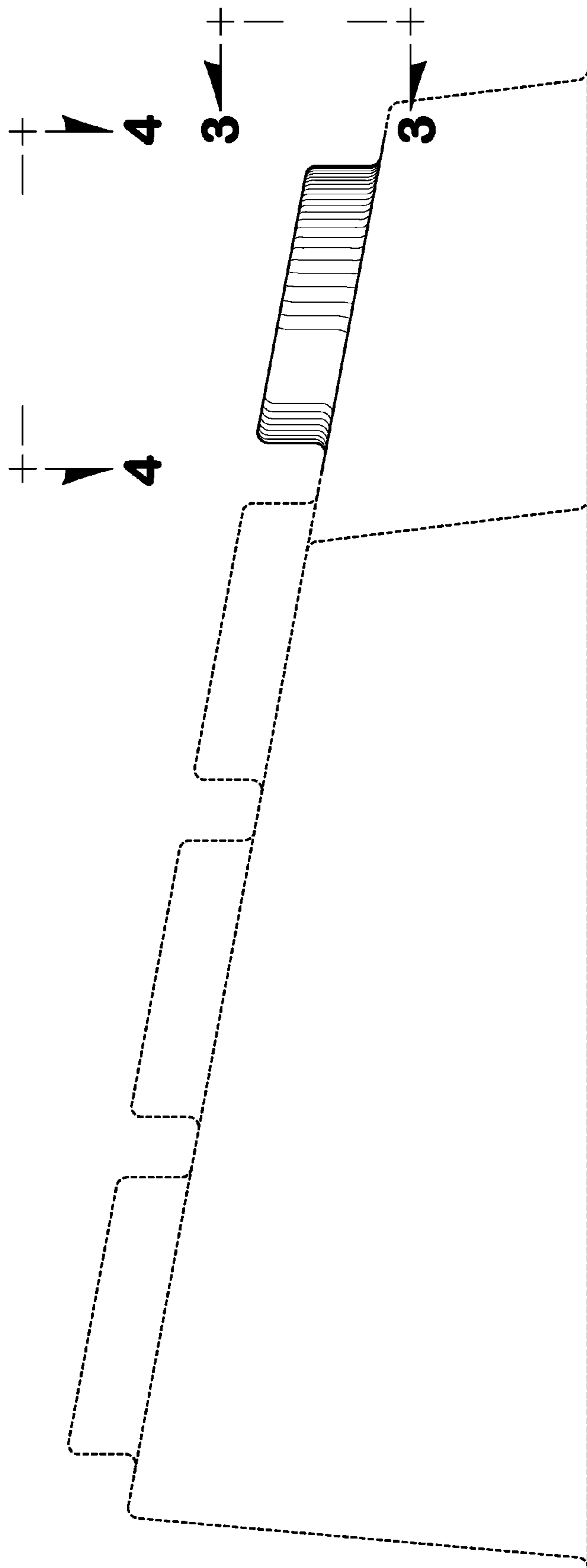


FIG. 2

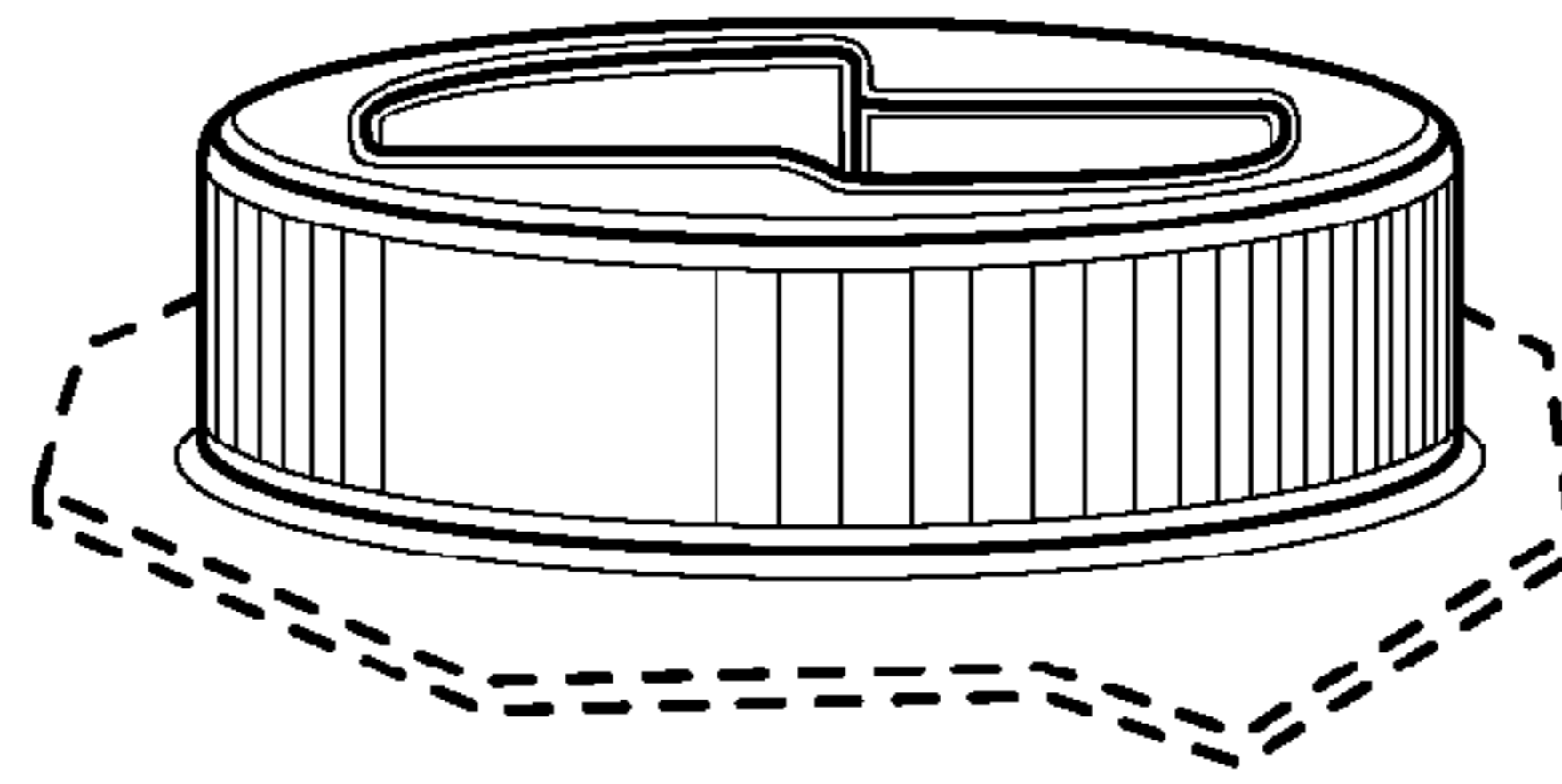


FIG. 3

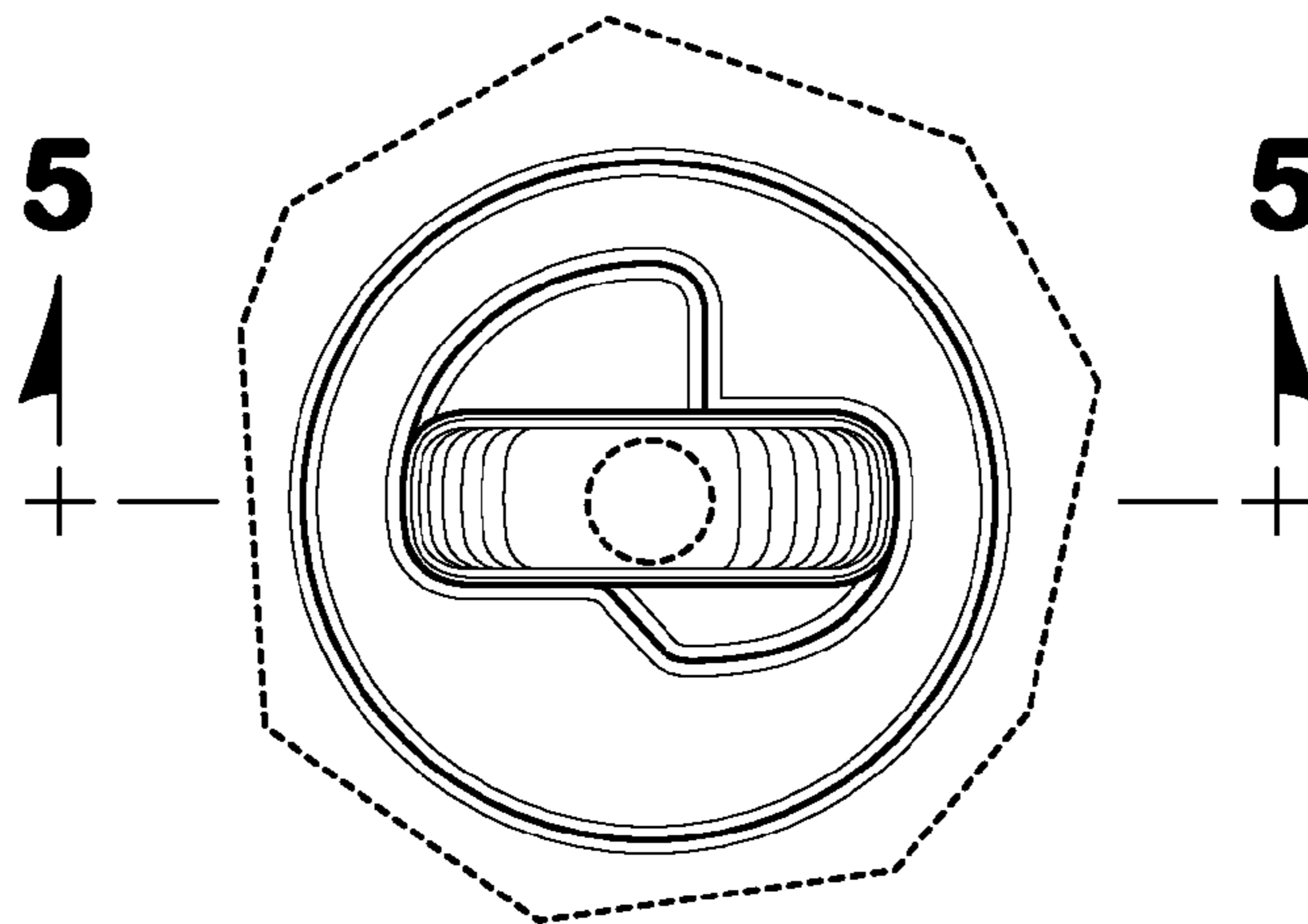


FIG. 4

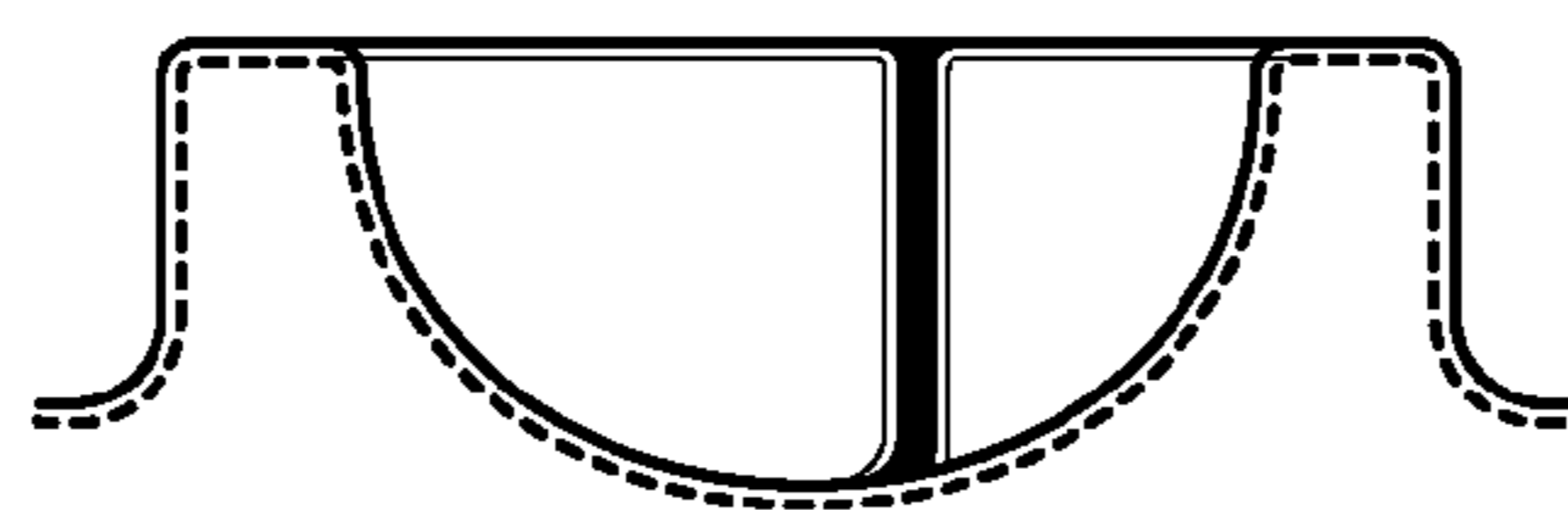


FIG. 5

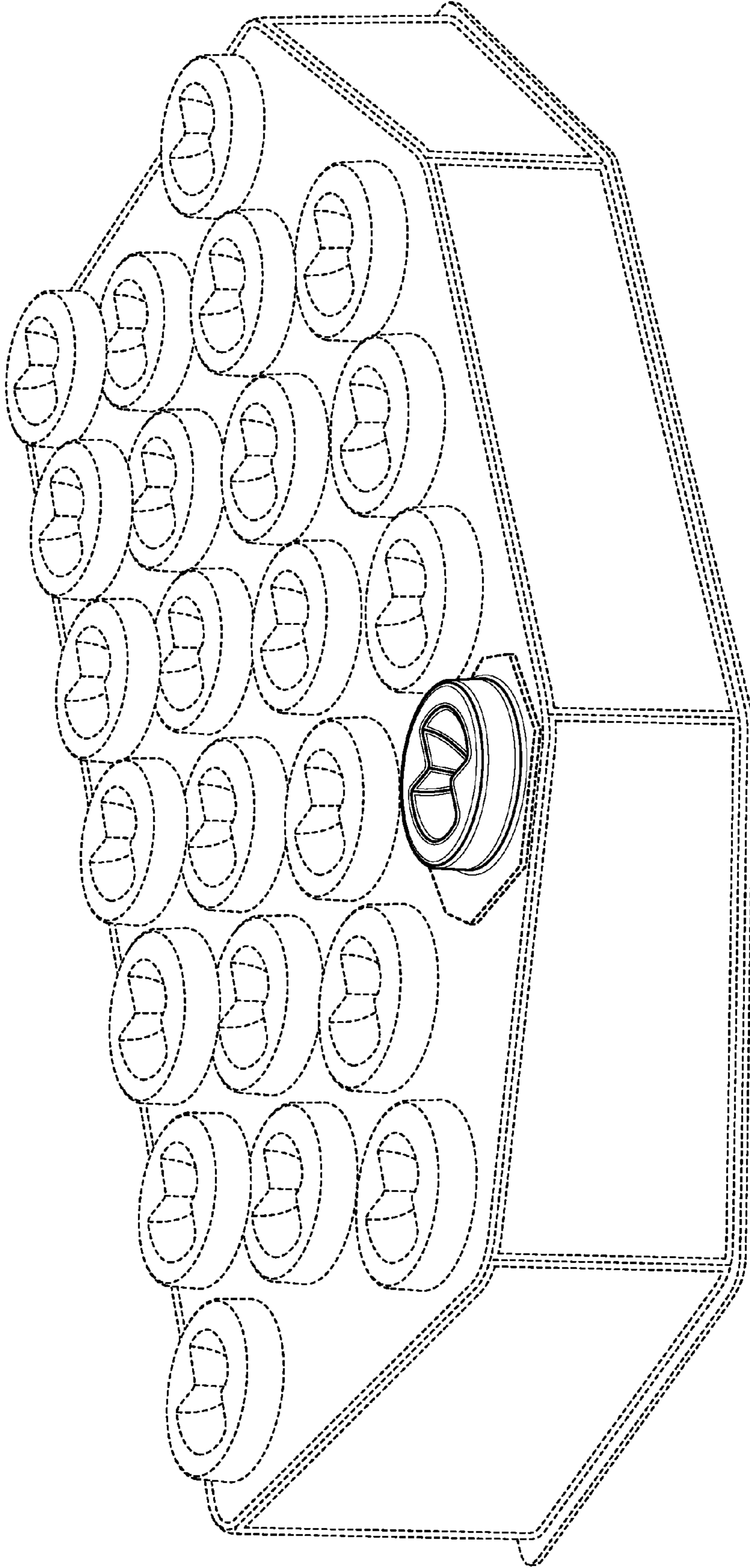


FIG. 6

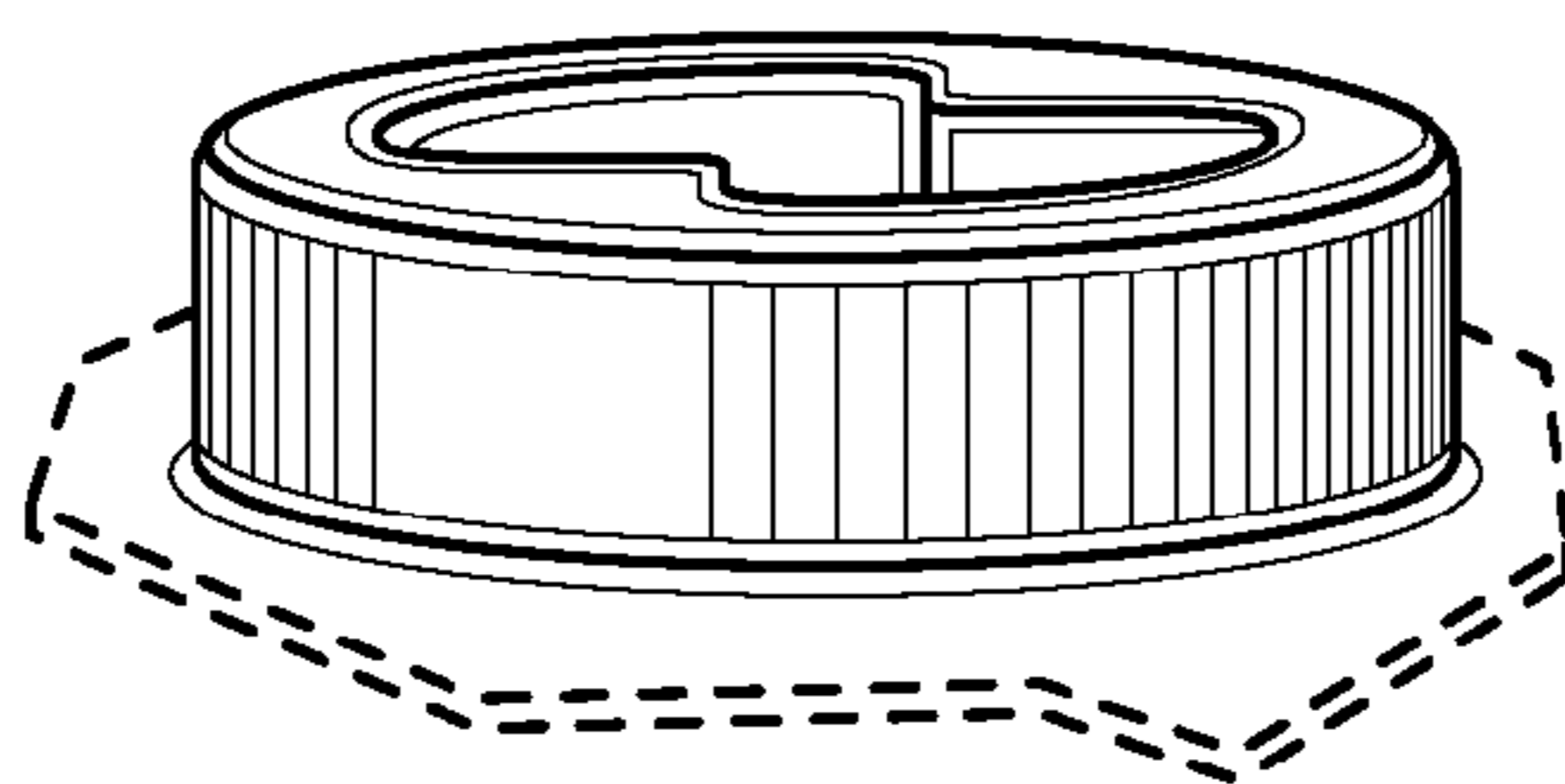


FIG. 7

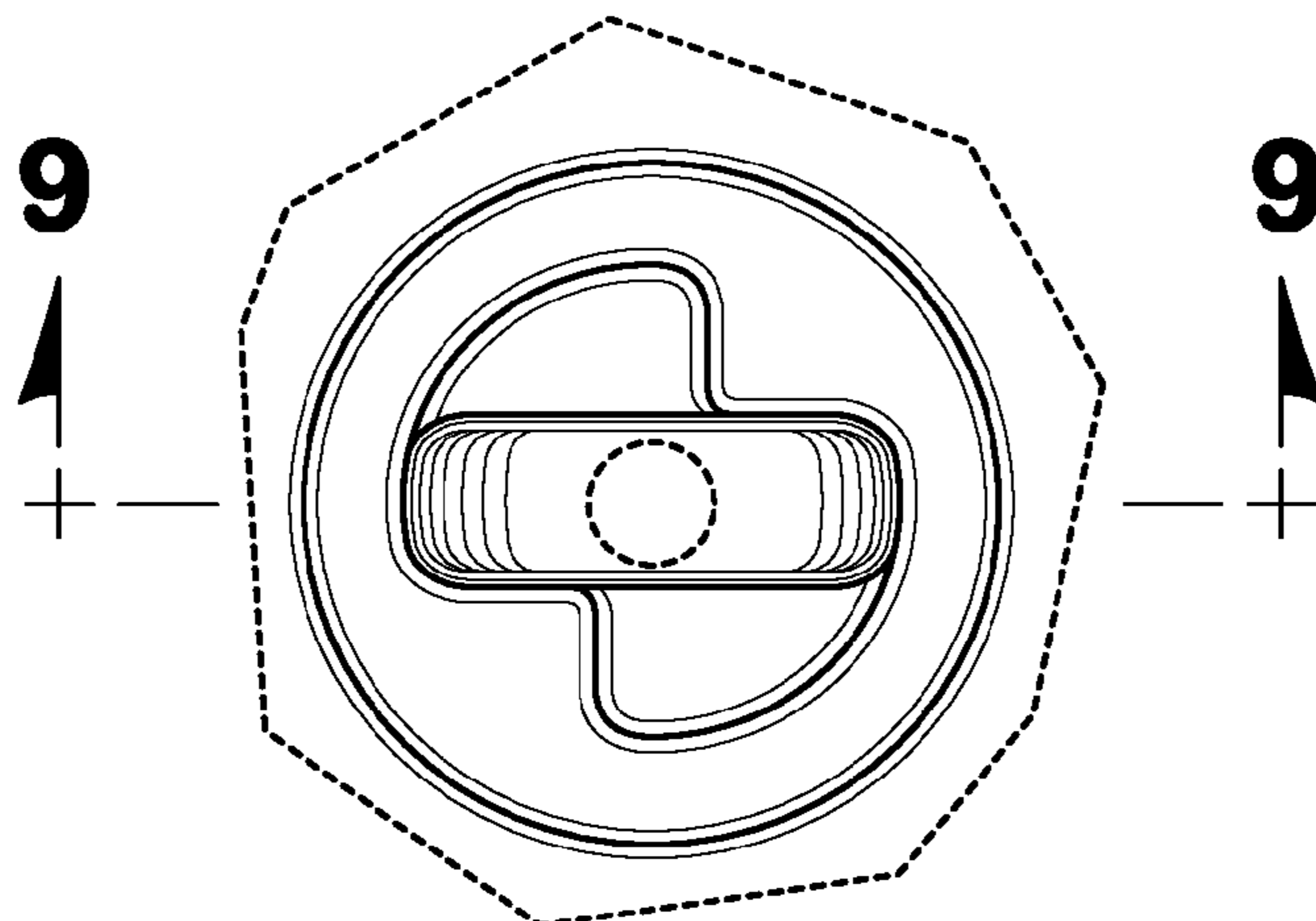


FIG. 8

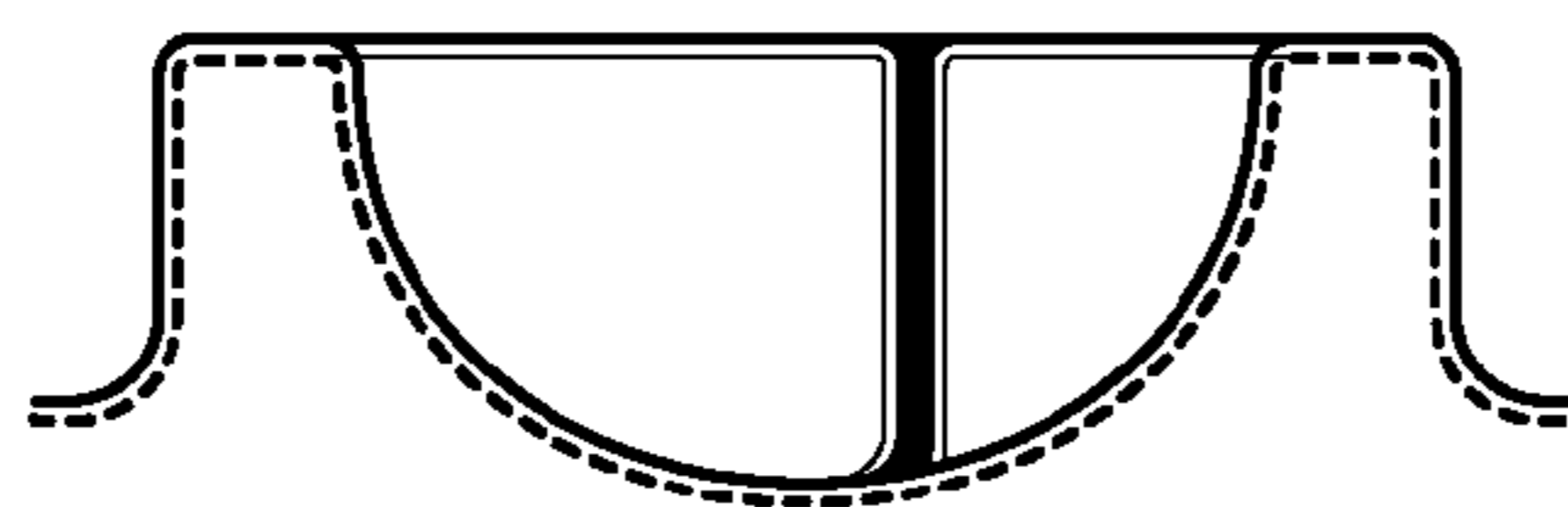


FIG. 9