

US00D634559S

(12) **United States Design Patent**  
**Nouvel**

(10) **Patent No.:** **US D634,559 S**  
(45) **Date of Patent:** **\*\* Mar. 22, 2011**

- (54) **ARMCHAIR**
- (75) Inventor: **Jean Nouvel**, Milan (IT)
- (73) Assignee: **Molteni & C. S.p.A.**, Giussano, Milan (IT)
- (\*\*) Term: **14 Years**
- (21) Appl. No.: **29/326,340**
- (22) Filed: **Oct. 16, 2008**
- (30) **Foreign Application Priority Data**

4,092,049 A *	5/1978	Schoblom	.....	297/440.23
D257,087 S *	9/1980	Roset	.....	D6/334
D267,525 S *	1/1983	Snodgrass	.....	D6/373
D271,825 S *	12/1983	Snodgrass	.....	D6/373
D290,912 S *	7/1987	Rodriquez	.....	D6/367
D308,141 S *	5/1990	Genova et al.	.....	D6/334
D539,045 S *	3/2007	Mourgue	.....	D6/334
D550,473 S *	9/2007	Mourgue	.....	D6/381
D551,872 S *	10/2007	Bouroullec et al.	.....	D6/381
D559,576 S *	1/2008	Bauchet	.....	D6/381

\* cited by examiner

*Primary Examiner* — Mimoso De

(74) *Attorney, Agent, or Firm* — Shoemaker and Mattare

- Apr. 16, 2008 (IT) ..... MI08O000067
  - (51) **LOC (9) Cl.** ..... **06-01**
  - (52) **U.S. Cl.** ..... **D6/375**
  - (58) **Field of Classification Search** ..... D6/334,  
D6/335, 336, 361, 365, 367, 373, 374, 375,  
D6/376, 379, 380, 381, 500–502; 297/232,  
297/440.23, 445.1, 446.1, 447.1, 447.2, 451.3,  
297/452.19
- See application file for complete search history.

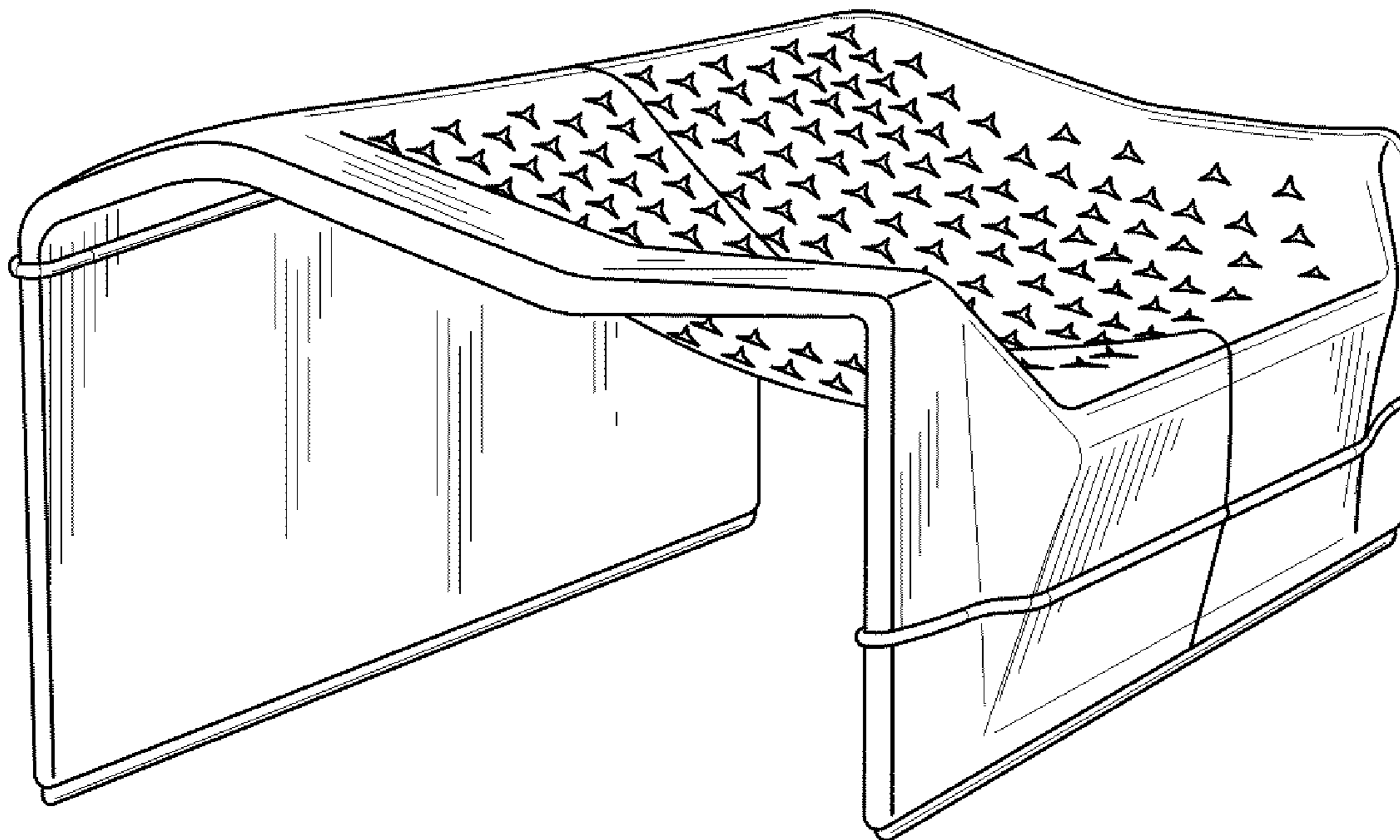
(57) **CLAIM**  
The ornamental design for an armchair, as shown and described.

**DESCRIPTION**

FIG. 1 is a perspective view of an armchair, showing my new design from the front, right side and above;  
FIG. 2 is a perspective view thereof from the front, left side and above;  
FIG. 3 is a front elevational view thereof;  
FIG. 4 is a side elevational view thereof; and,  
FIG. 5 is a top plan view thereof.

- (56) **References Cited**
- U.S. PATENT DOCUMENTS
- 3,717,378 A \* 2/1973 Jackson ..... 297/447.2
- D240,311 S \* 6/1976 Owens ..... D6/375

**1 Claim, 2 Drawing Sheets**



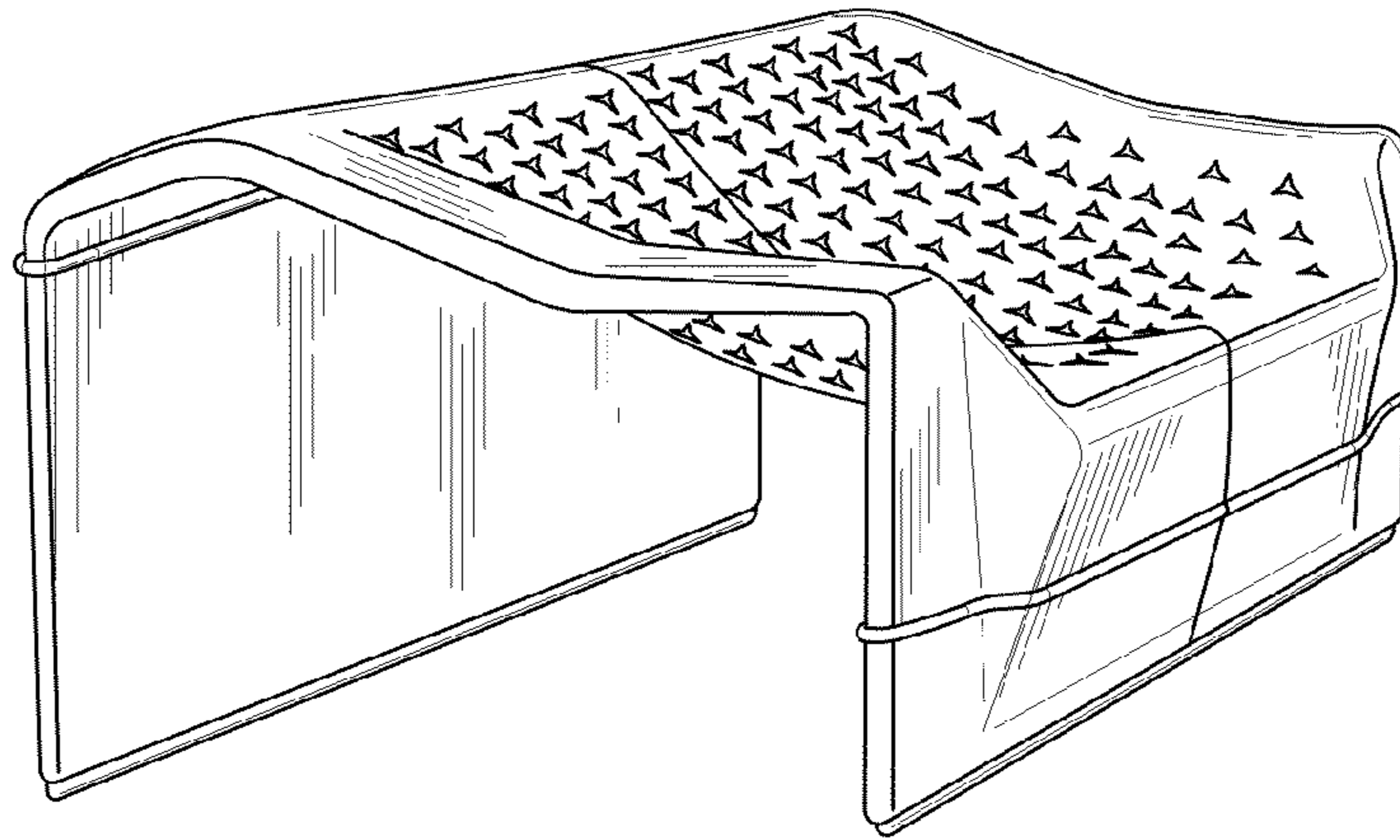


FIG. 1

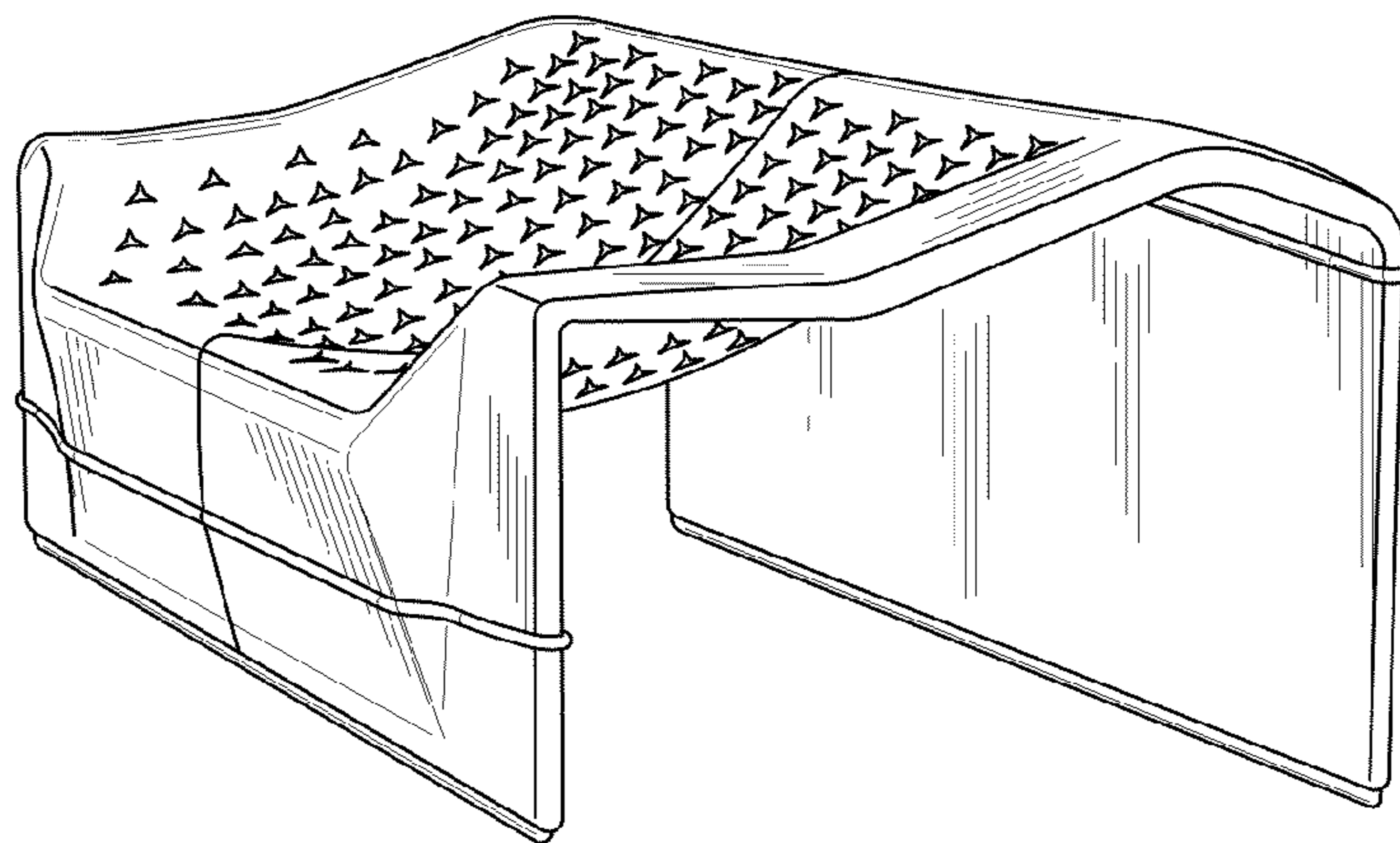


FIG. 2

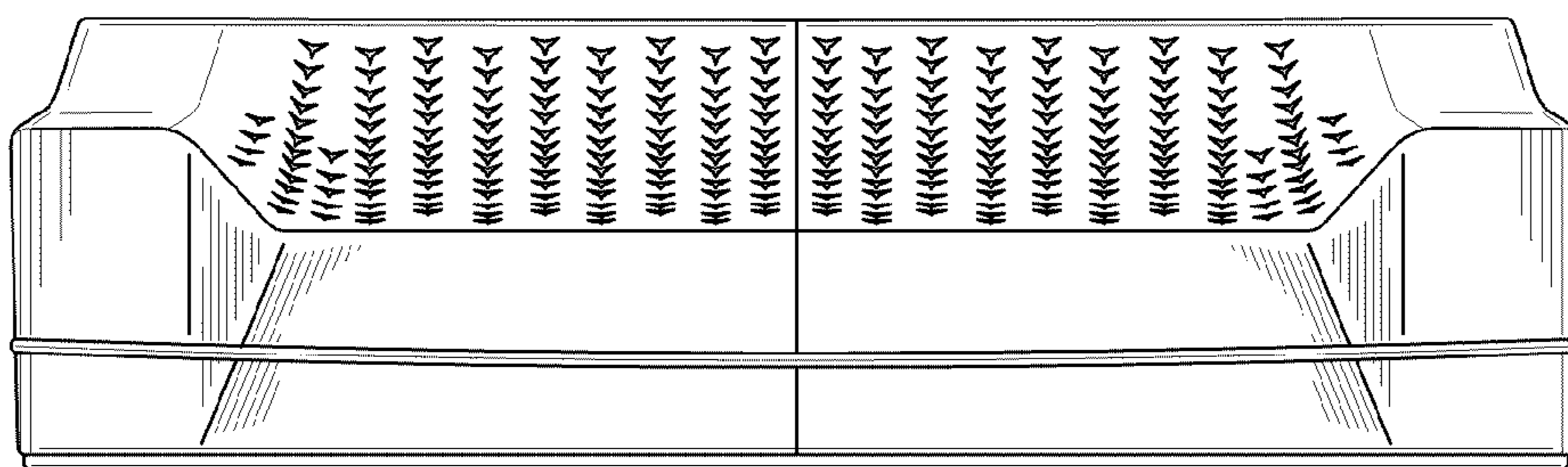


FIG. 3

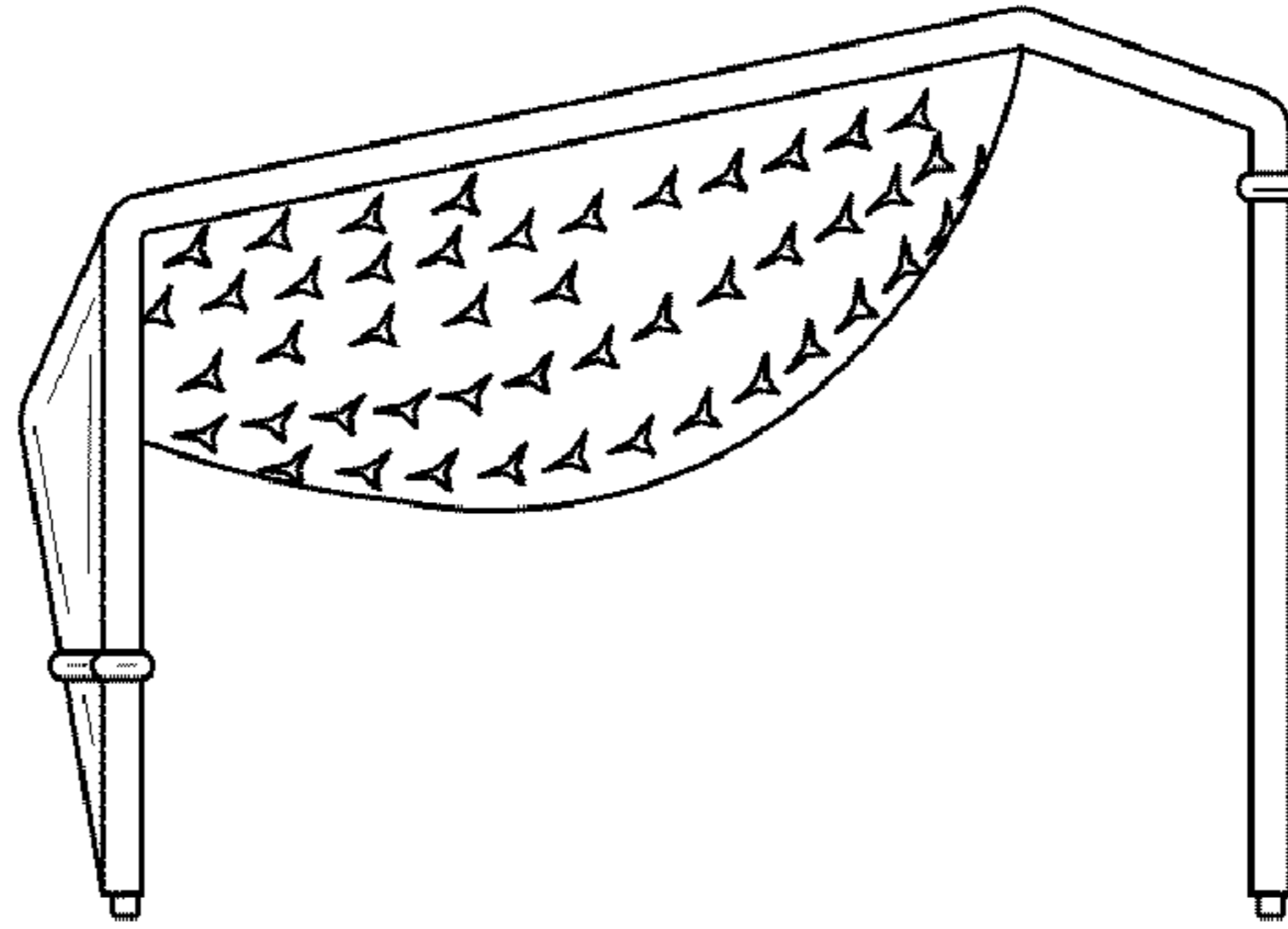


FIG. 4

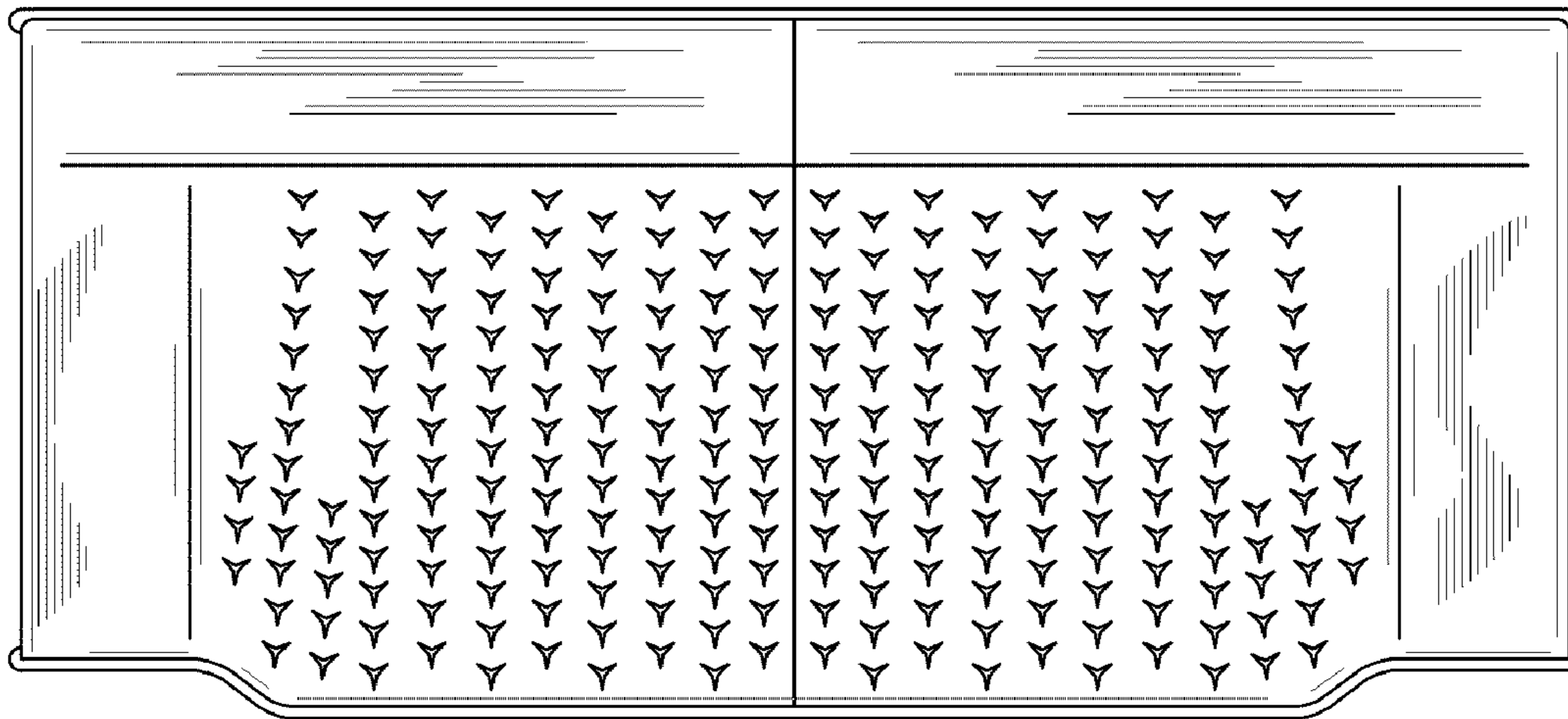


FIG. 5