



US00D634558S

(12) **United States Design Patent**
Deisig

(10) **Patent No.:** **US D634,558 S**

(45) **Date of Patent:** **** Mar. 22, 2011**

(54) **CHAIR**

(76) Inventor: **Wolfgang Deisig**, Berlin (DE)

(**) Term: **14 Years**

(21) Appl. No.: **29/375,989**

(22) Filed: **Sep. 30, 2010**

(30) **Foreign Application Priority Data**

Jul. 2, 2010 (EM) 001223465-0001

(51) **LOC (9) Cl.** **06-01**

(52) **U.S. Cl.** **D6/366**

(58) **Field of Classification Search** D6/334-336,
D6/352, 360-369, 370-374, 379-380, 491,
D6/498, 500-502, 601; 297/118, 284.4-284.5,
297/291, 297, 411.2, 411.27-411.29, 423.13,
297/452.13, 452.19, 452.21, 452.29, 452.3,
297/452.56, 452.64, 466
See application file for complete search history.

(56) **References Cited**

U.S. PATENT DOCUMENTS

| | | | | |
|--------------|---------|-----------------|-------|--------|
| D407,911 S * | 4/1999 | Brauning | | D6/366 |
| D436,259 S * | 1/2001 | Nagamitsu | | D6/366 |
| D436,260 S * | 1/2001 | Nagamitsu | | D6/366 |
| D437,132 S * | 2/2001 | Nagamitsu | | D6/366 |
| D437,701 S * | 2/2001 | Bellini et al. | | D6/366 |
| D482,205 S * | 11/2003 | Englisch et al. | | D6/366 |
| D488,313 S * | 4/2004 | Seiler | | D6/366 |
| D497,264 S * | 10/2004 | Aubriet et al. | | D6/366 |
| D499,564 S * | 12/2004 | Meda | | D6/366 |
| D505,024 S * | 5/2005 | Bellin | | D6/366 |

| | | | | |
|--------------|---------|------------------|-------|--------|
| D507,124 S * | 7/2005 | Yang | | D6/366 |
| D512,232 S * | 12/2005 | Wu | | D6/366 |
| D523,252 S * | 6/2006 | Rodriguez Leitao | | D6/366 |
| D541,062 S * | 4/2007 | Su | | D6/366 |
| D548,994 S * | 8/2007 | Mao et al. | | D6/366 |
| D550,976 S * | 9/2007 | Bellini et al. | | D6/366 |
| D552,857 S * | 10/2007 | Wang | | D6/366 |
| D553,376 S * | 10/2007 | Nakamura et al. | | D6/366 |
| D554,877 S * | 11/2007 | Tsai | | D6/366 |
| D557,024 S * | 12/2007 | Chen | | D6/366 |
| D568,623 S * | 5/2008 | Dauphin | | D6/366 |
| D572,493 S * | 7/2008 | Zhang | | D6/366 |
| D576,416 S * | 9/2008 | Su | | D6/366 |
| D576,813 S * | 9/2008 | Baldanzi et al. | | D6/366 |
| D576,814 S * | 9/2008 | Baldanzi et al. | | D6/366 |
| D610,822 S * | 3/2010 | Chen | | D6/366 |

* cited by examiner

Primary Examiner — Ricky Pham

(74) *Attorney, Agent, or Firm* — Notaro, Michalos & Zaccaria P.C.

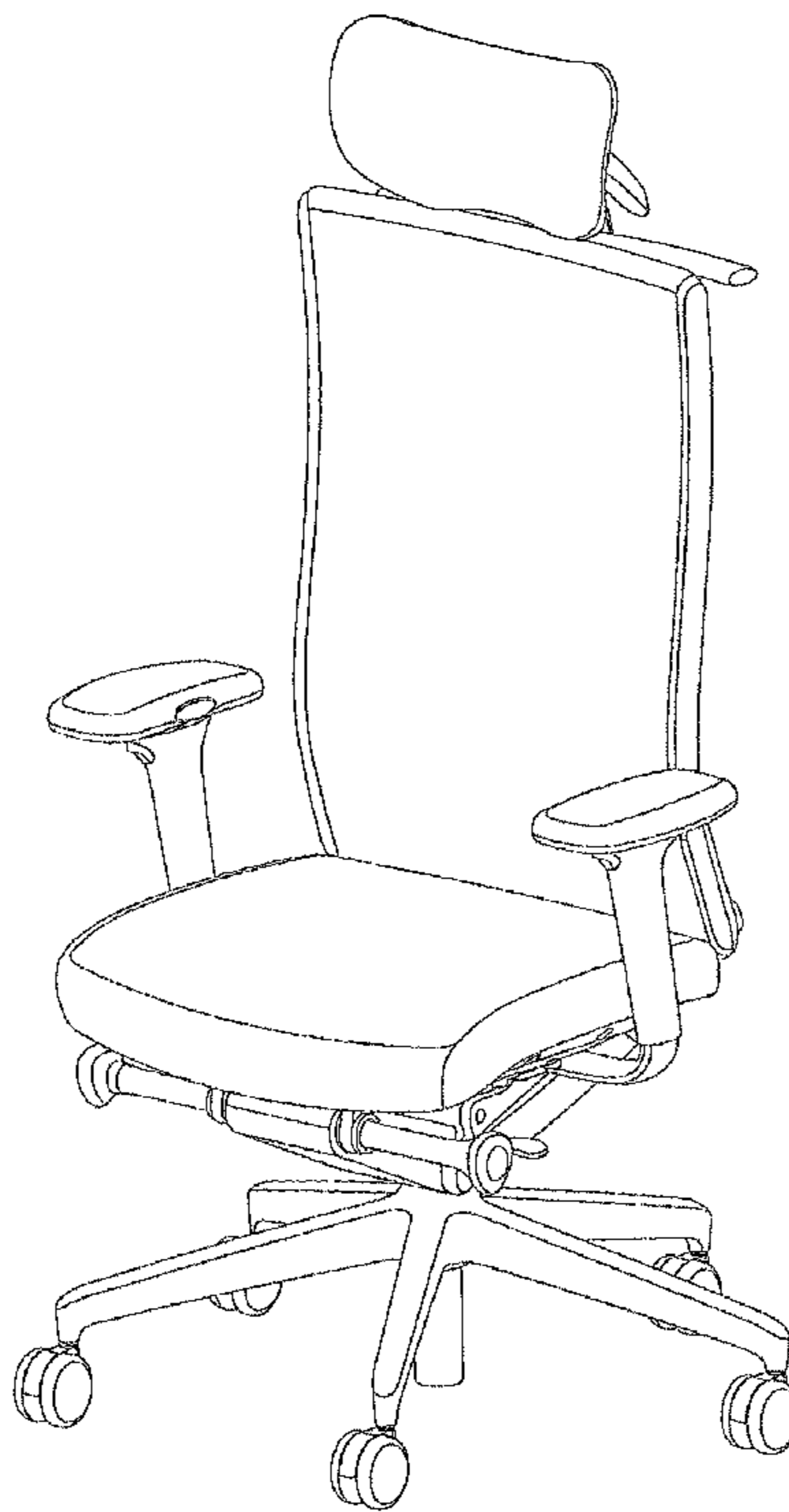
(57) **CLAIM**

The ornamental design for a chair, as shown and described.

DESCRIPTION

FIG. 1 is a right side elevational view of a chair showing my new design thereof;
FIG. 2 is a top front-left perspective view thereof;
FIG. 3 is a front elevational view thereof;
FIG. 4 is a left side elevational view thereof;
FIG. 5 is a bottom plan view thereof;
FIG. 6 is a top plan view thereof; and,
FIG. 7 is a rear elevational view thereof.

1 Claim, 7 Drawing Sheets



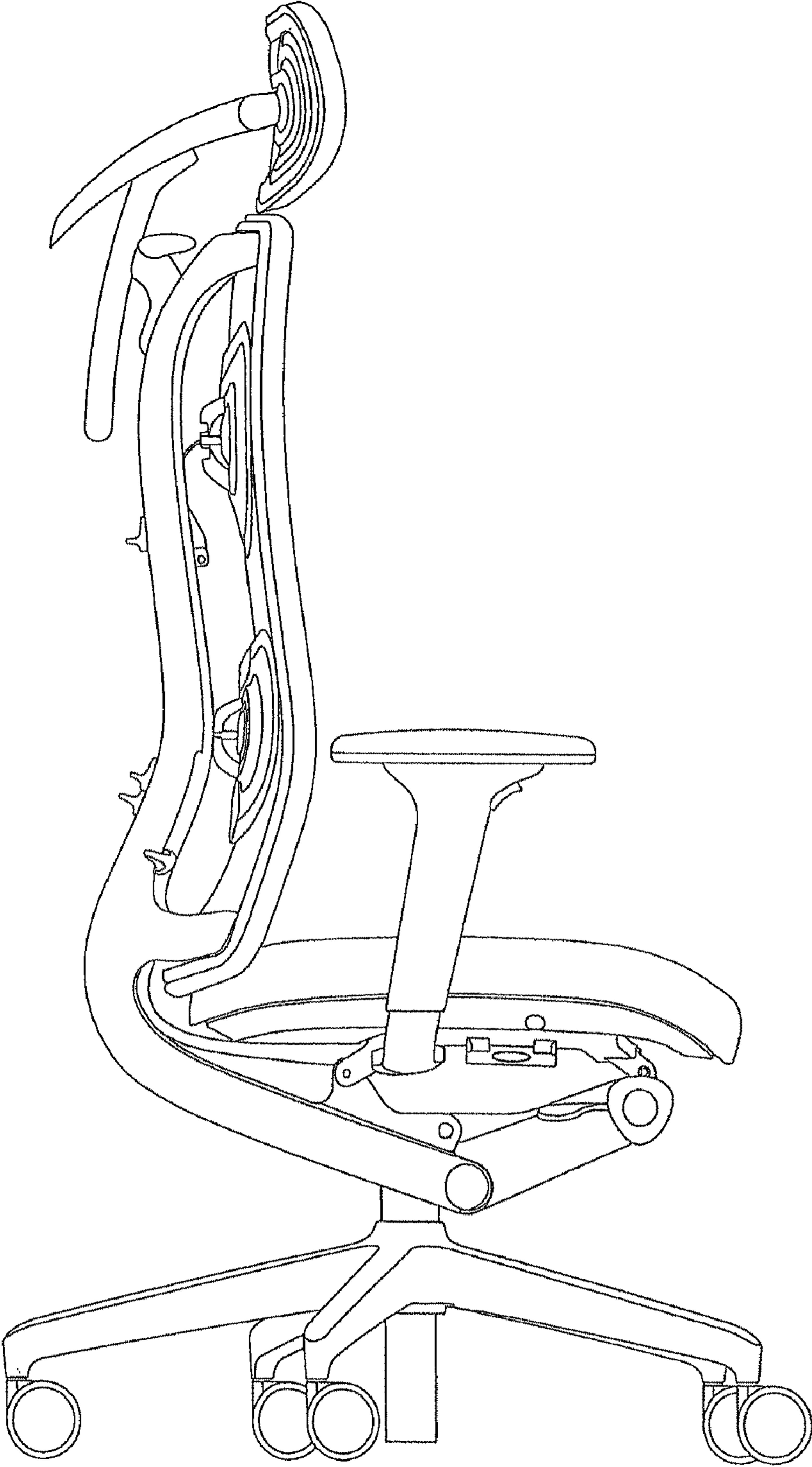


FIG. 1

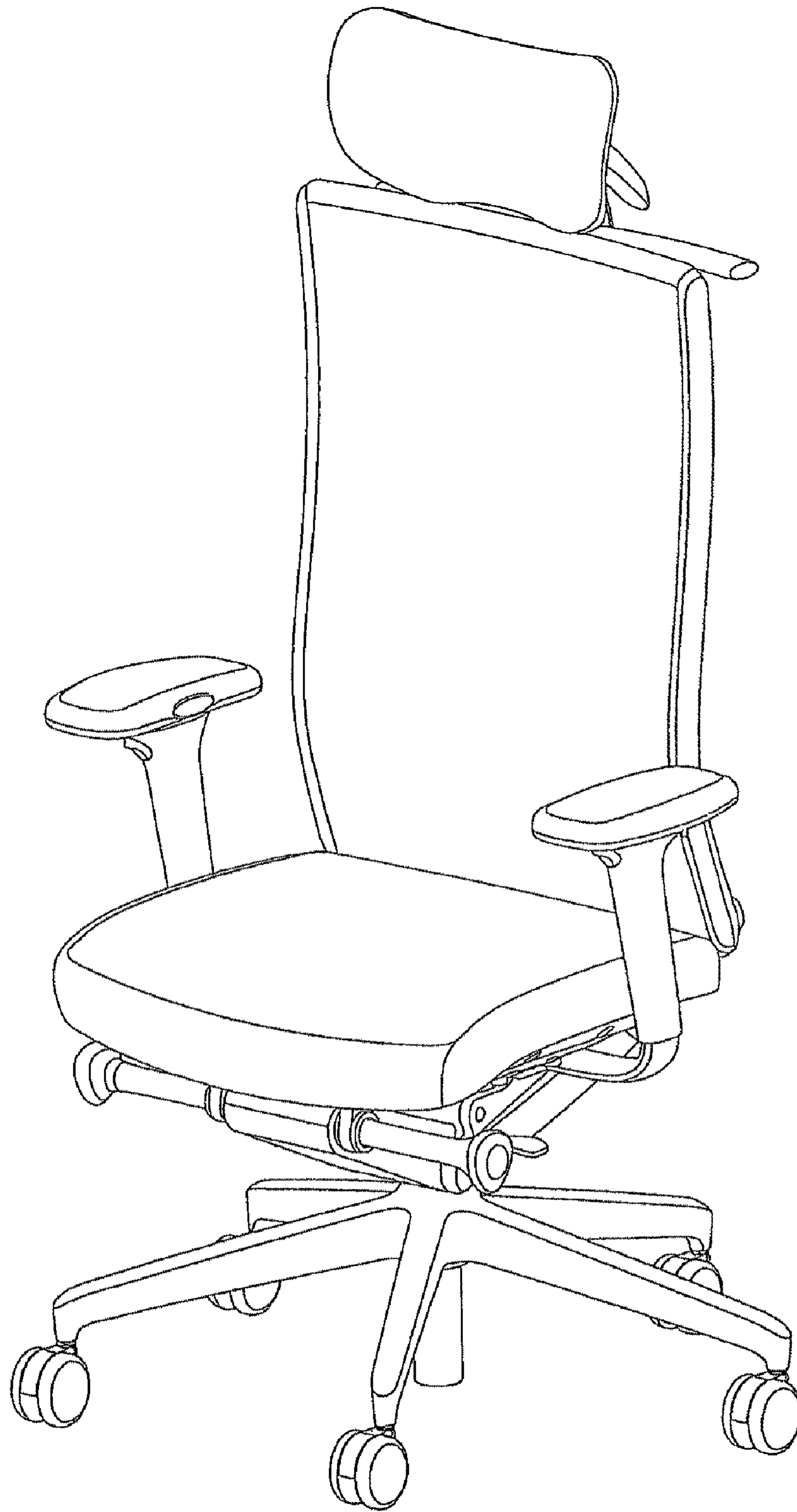


FIG. 2

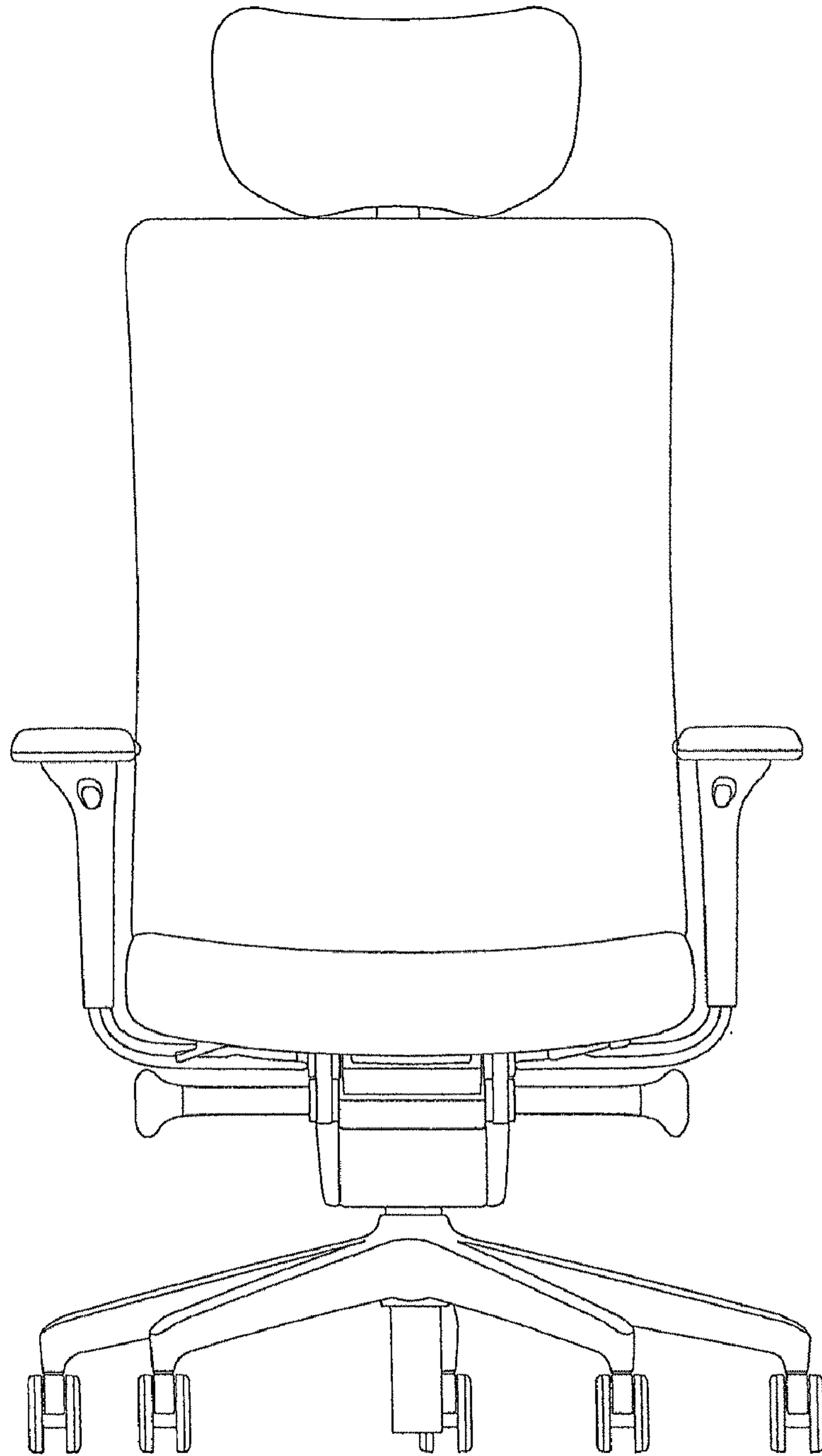


FIG. 3

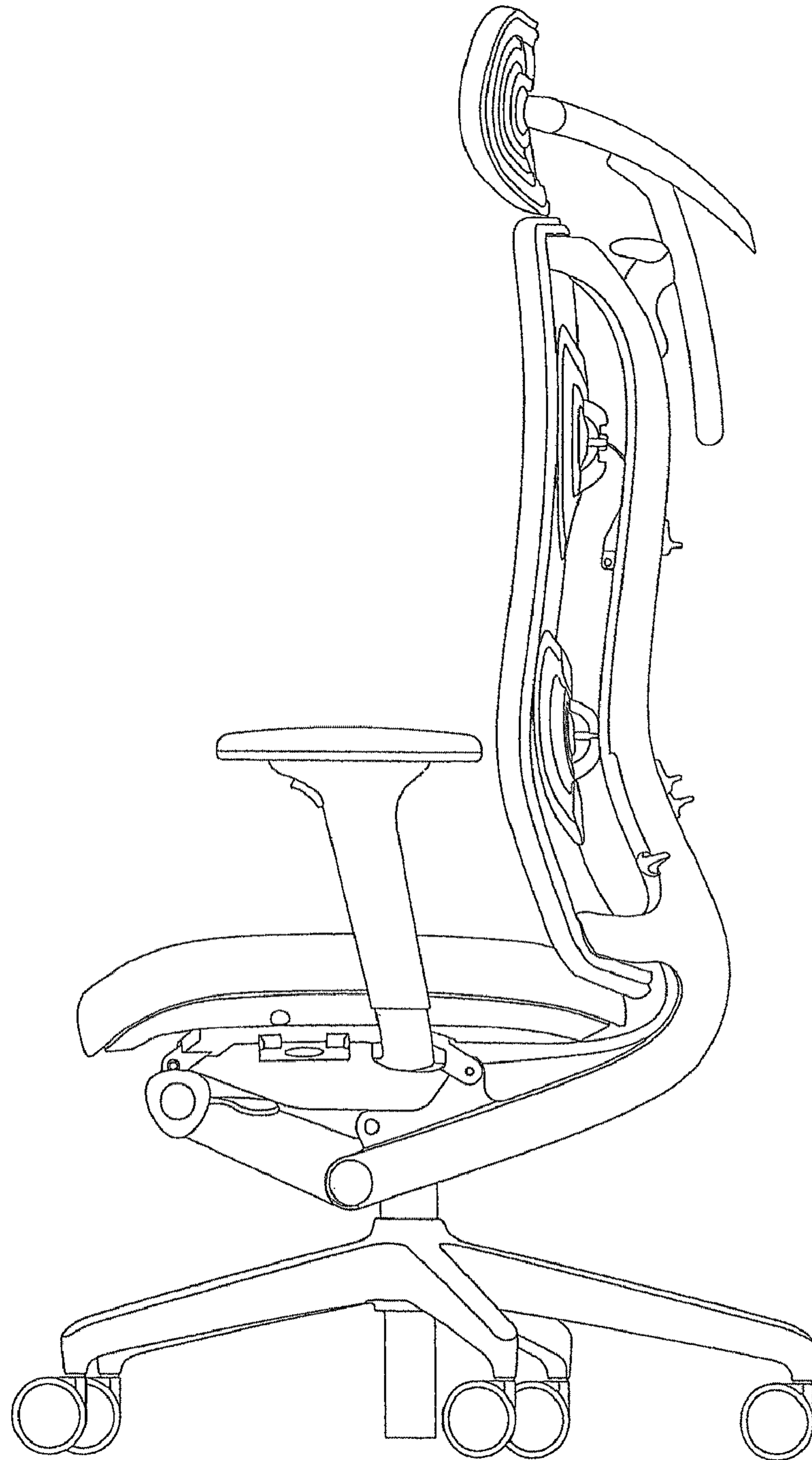


FIG. 4

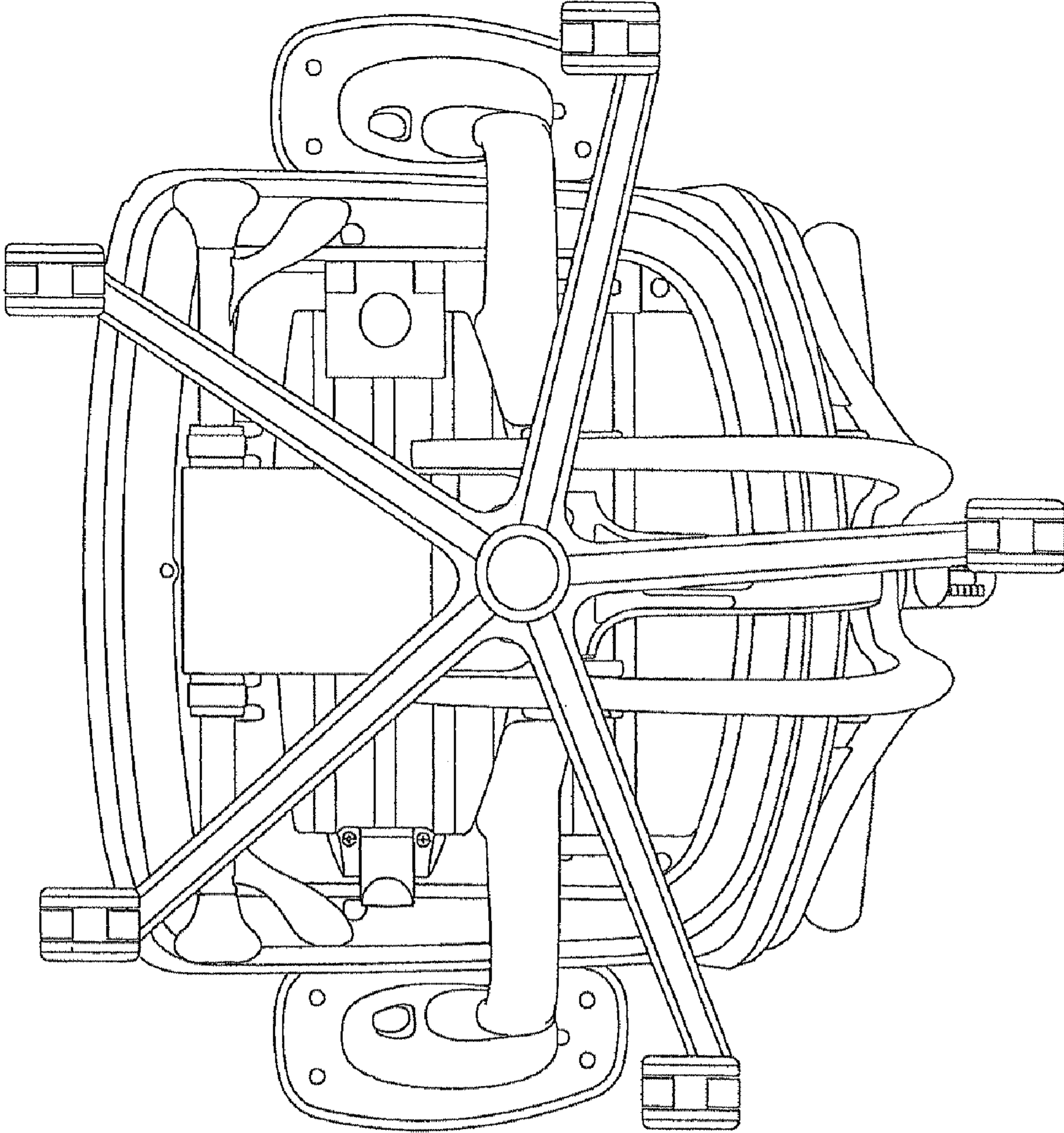


FIG. 5

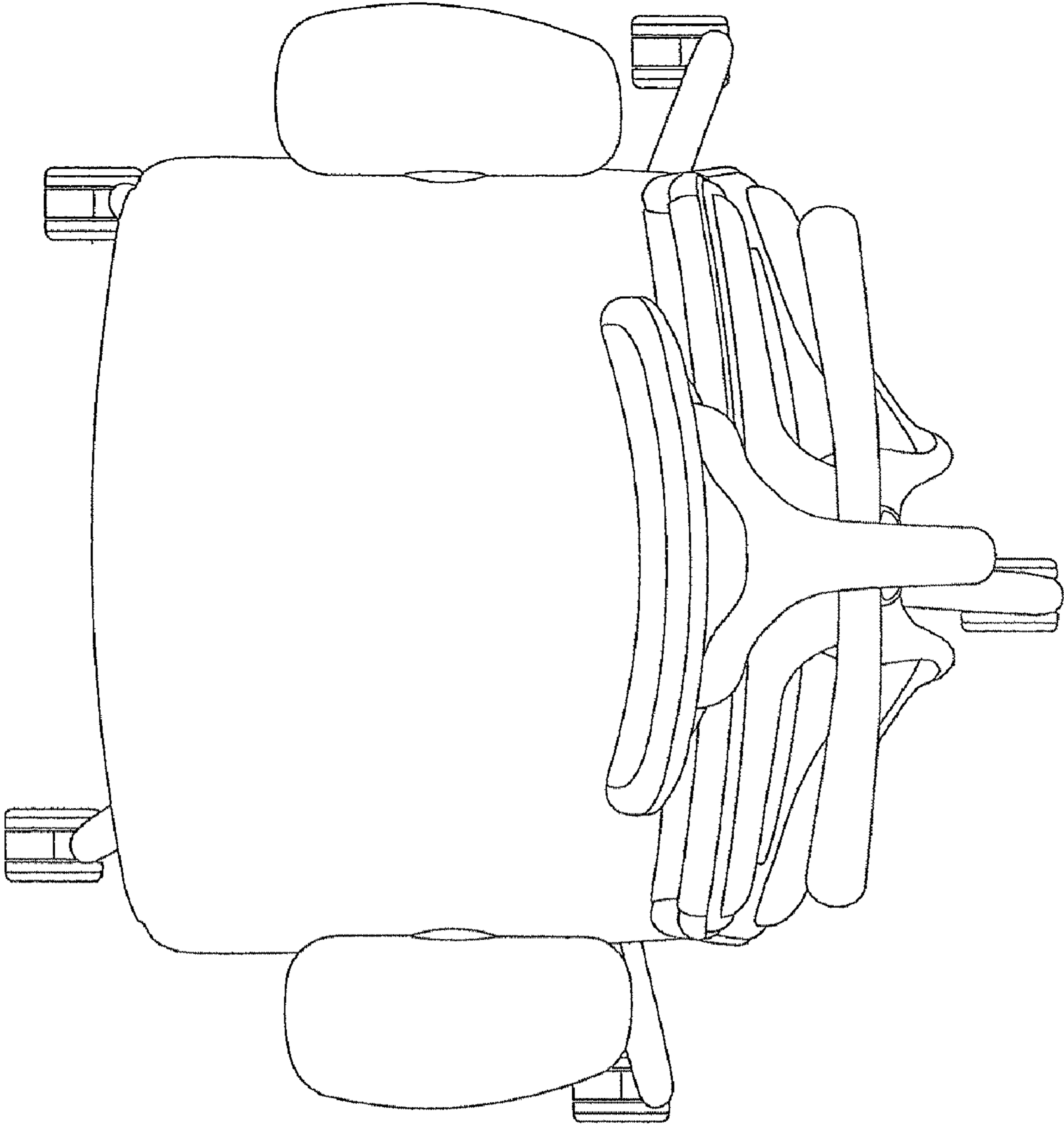


FIG. 6

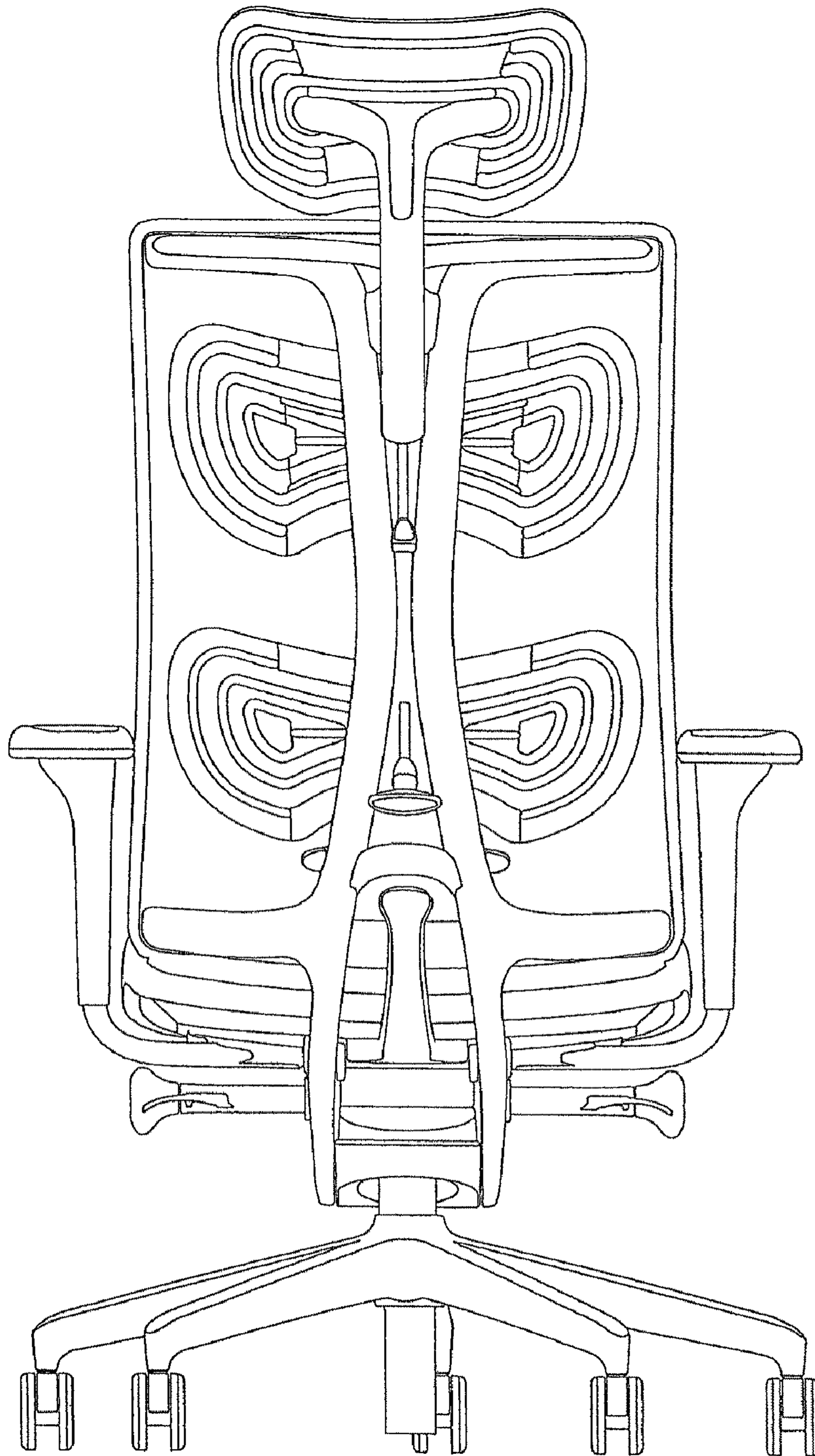


FIG. 7