



US00D634548S

(12) **United States Design Patent**
Bickford

(10) **Patent No.:** **US D634,548 S**

(45) **Date of Patent:** **** Mar. 22, 2011**

(54) **MOLDED MASCARA BRUSH HEAD**

(75) Inventor: **William Robert Bickford,**
Ronkonkoma, NY (US)

(73) Assignee: **ELC Management LLC,** New York, NY
(US)

(**) Term: **14 Years**

(21) Appl. No.: **29/343,805**

(22) Filed: **Sep. 18, 2009**

(51) **LOC (9) Cl.** **04-02**

(52) **U.S. Cl.** **D4/133; D4/136**

(58) **Field of Classification Search** D4/133,
D4/136; D28/7; 15/188, 207.2; 132/126,
132/216, 218, 262, 317, 320

See application file for complete search history.

(56) **References Cited**

U.S. PATENT DOCUMENTS

D238,212	S	*	12/1975	Kingsford	D28/7
D568,614	S	*	5/2008	Lou	D4/128
7,467,905	B2	*	12/2008	Habatjou	401/127
D591,955	S	*	5/2009	Kulik	D4/136
2005/0217691	A1	*	10/2005	Petit	132/320
2008/0060669	A1	*	3/2008	Malvar et al.	132/218
2009/0065020	A1	*	3/2009	Butcher et al.	132/218

* cited by examiner

Primary Examiner — Melanie H Tung

Assistant Examiner — Lavone D Tabor

(74) *Attorney, Agent, or Firm* — Martin W. Haerter

(57) **CLAIM**

The ornamental design for a molded mascara brush head, substantially as shown and described.

DESCRIPTION

FIG. 1 is a top, front and right side perspective view of my new design for a molded mascara brush head;

FIG. 2 is a front elevation view of the molded mascara brush head shown in FIG. 1;

FIG. 3 is a rear elevation view of the molded mascara brush head shown in FIG. 1;

FIG. 4 is a right side elevation view of the molded mascara brush head shown in FIG. 1;

FIG. 5 is a left side elevation view of the molded mascara brush head shown in FIG. 1;

FIG. 6 is a top plan view of the molded mascara brush head shown in FIG. 1; and,

FIG. 7 is a bottom plan view of the molded mascara brush head shown in FIG. 1.

The broken line showing of a stem illustrates environmental structure that forms no part of the claimed design.

1 Claim, 3 Drawing Sheets

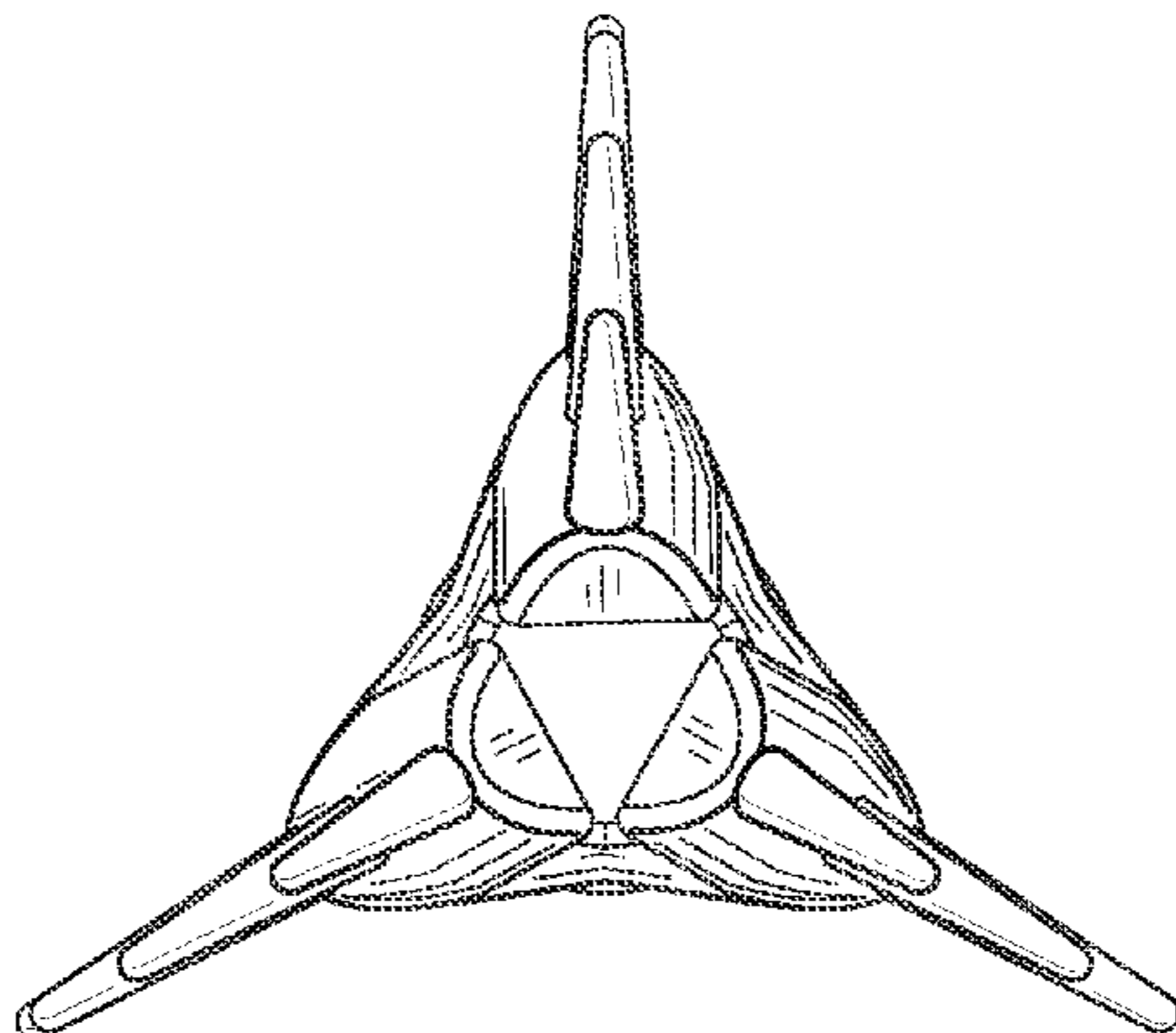
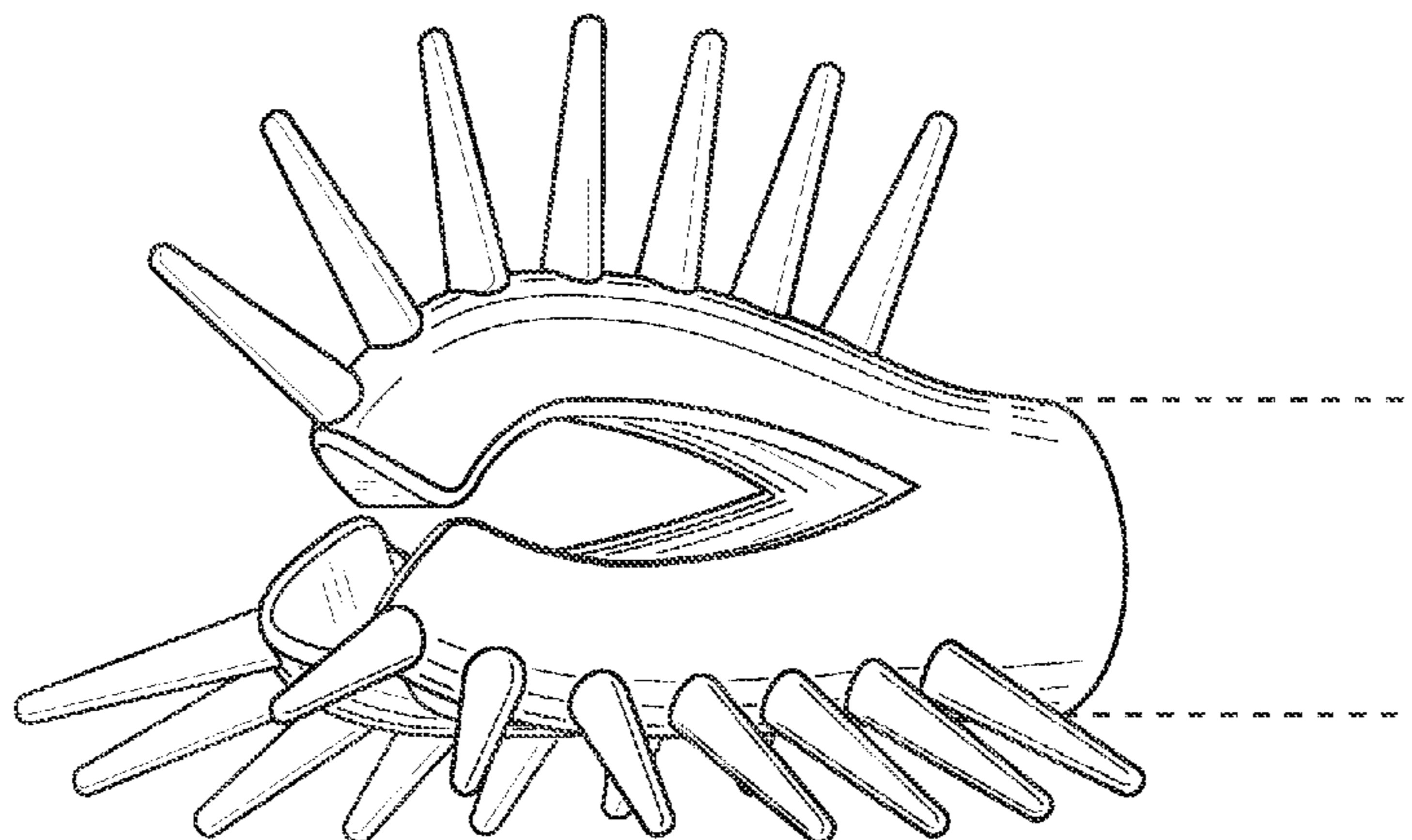


FIG. 1

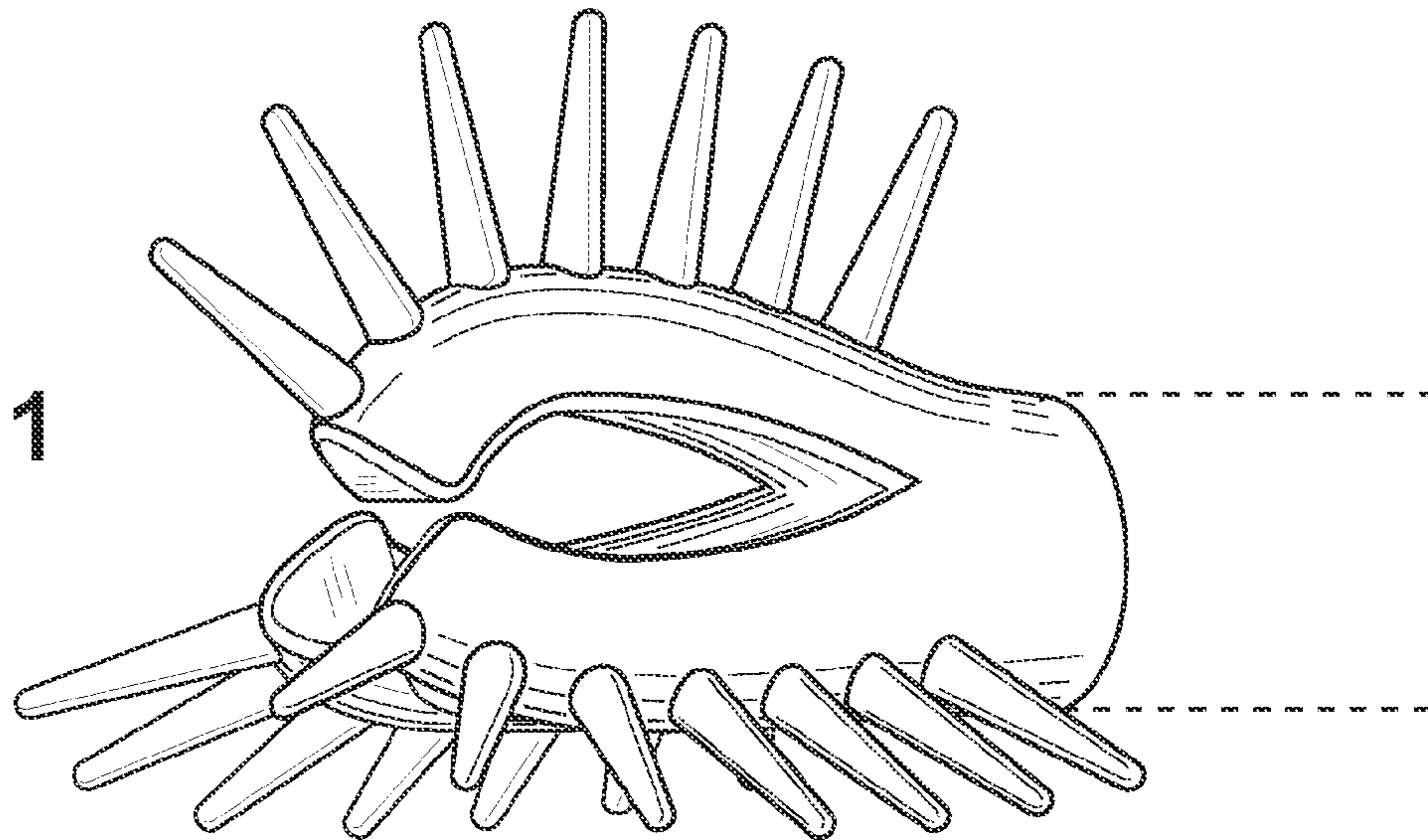


FIG. 2

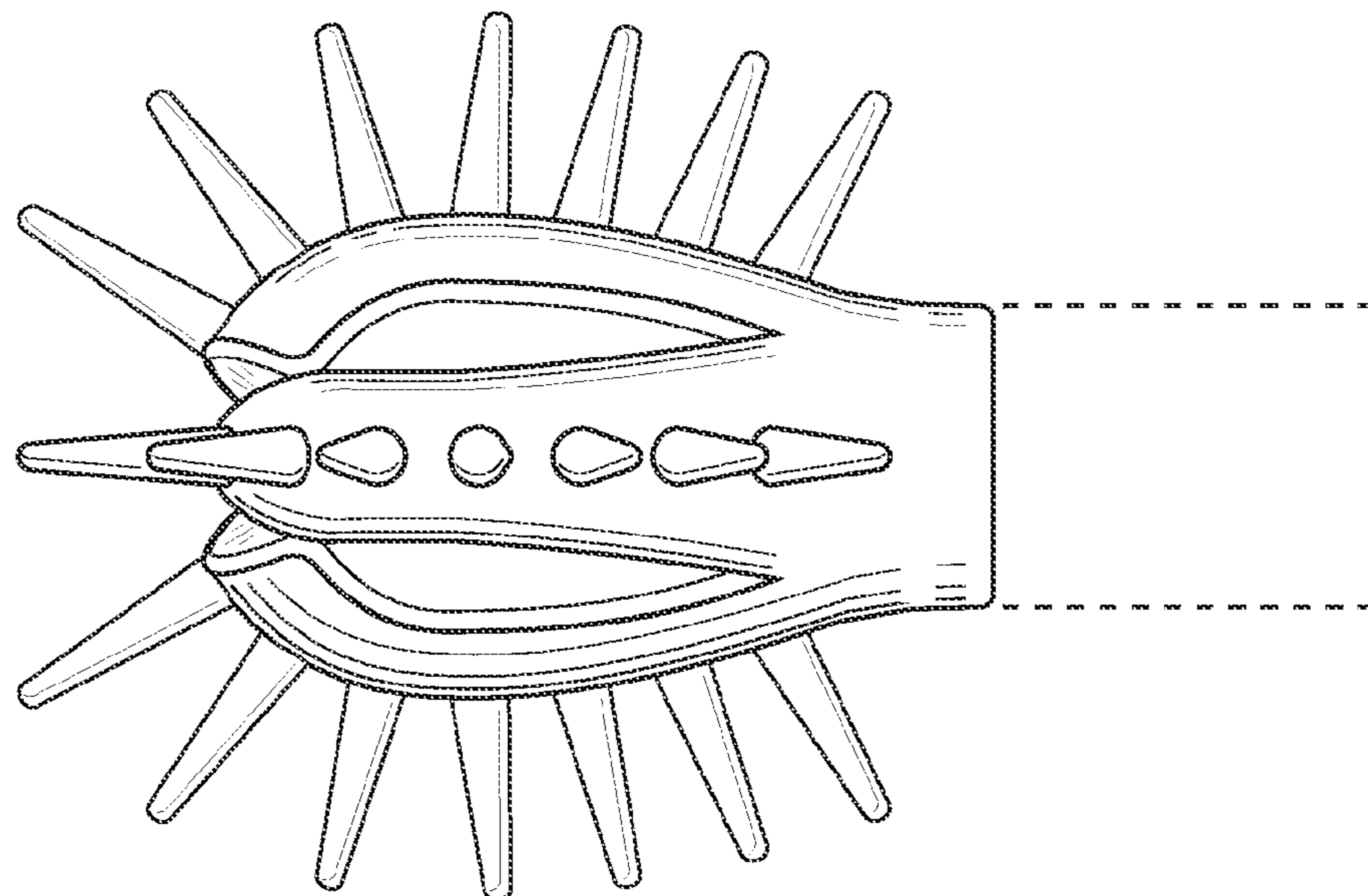


FIG. 3

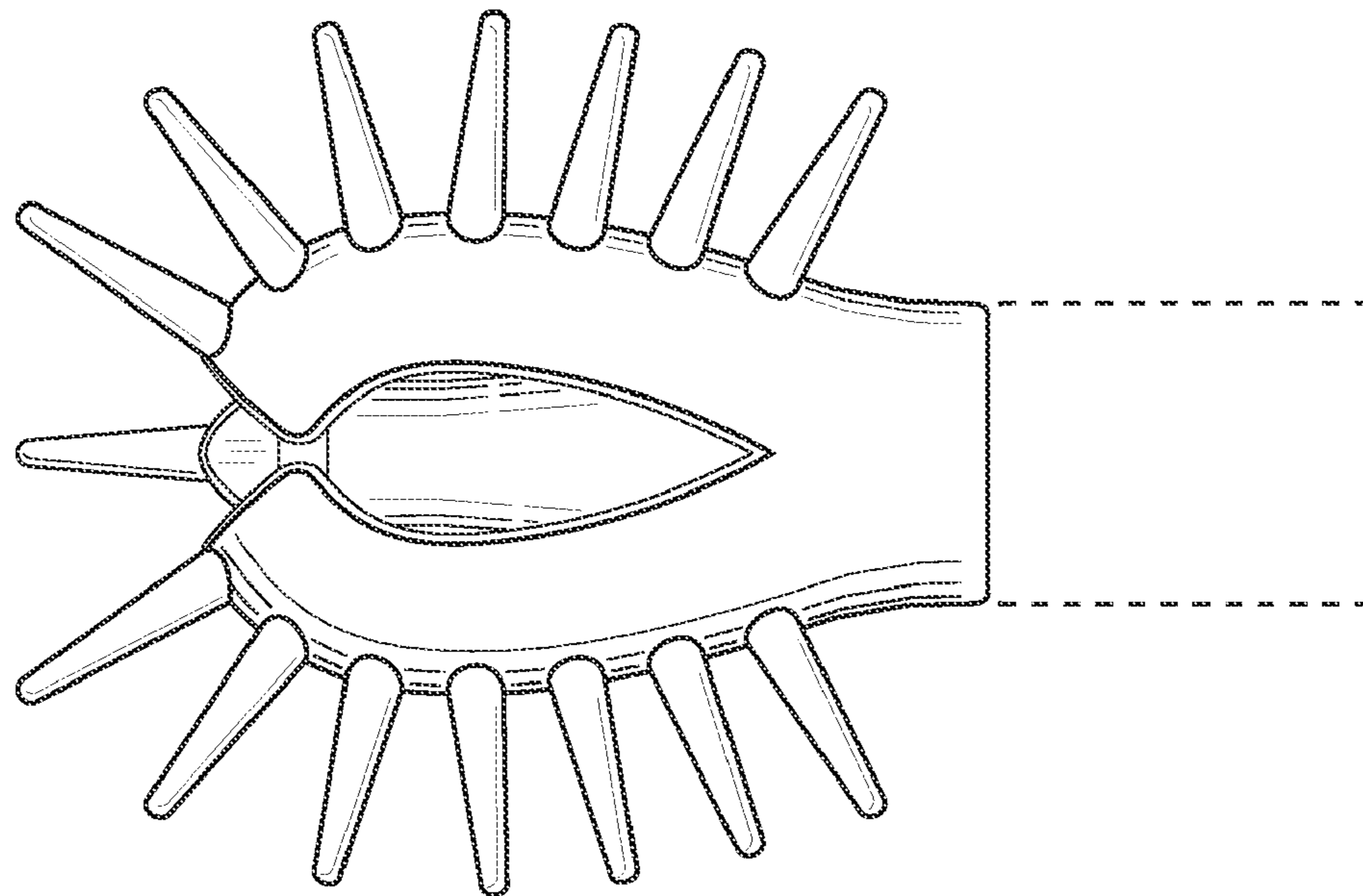


FIG. 4

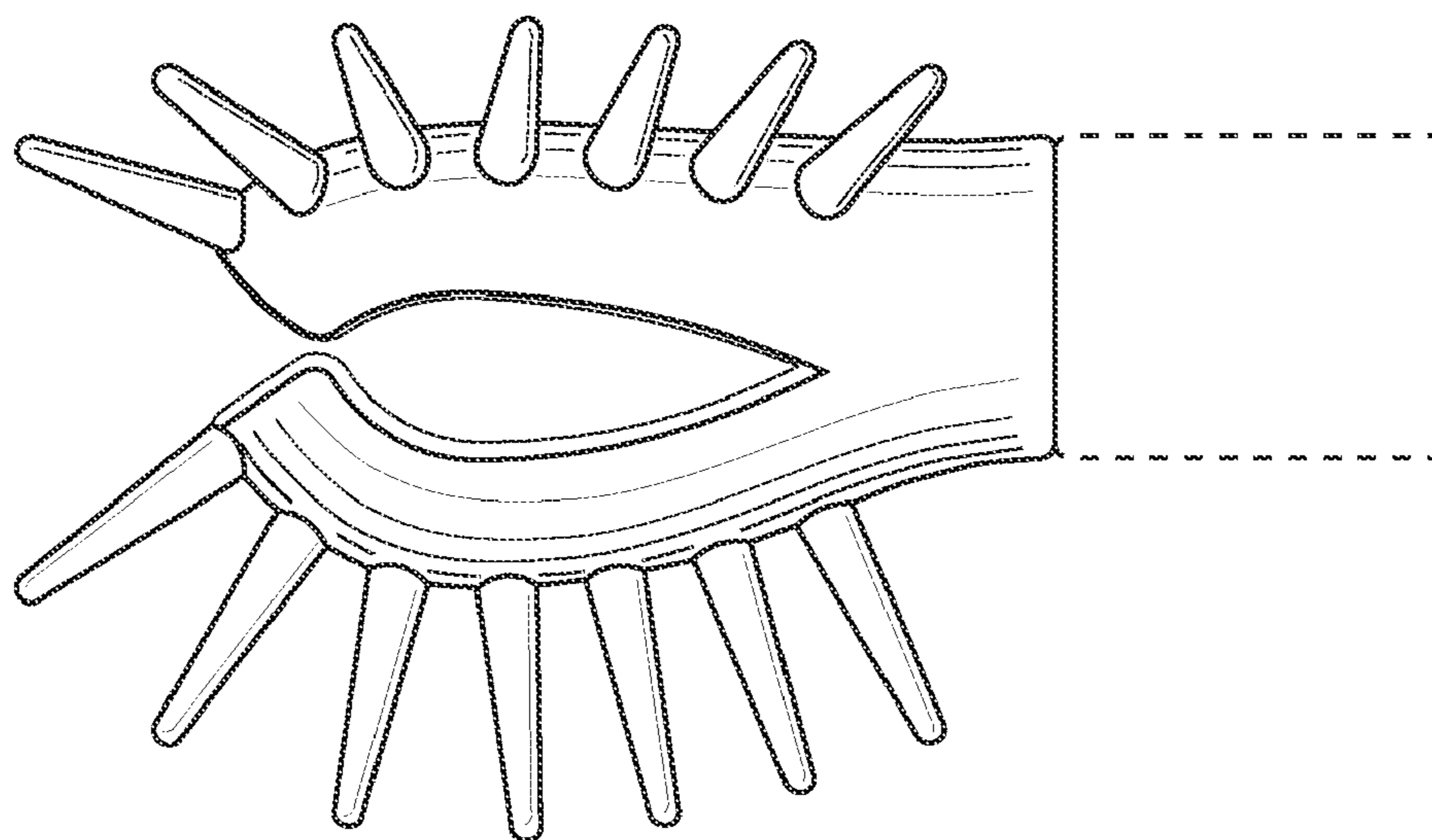


FIG. 5

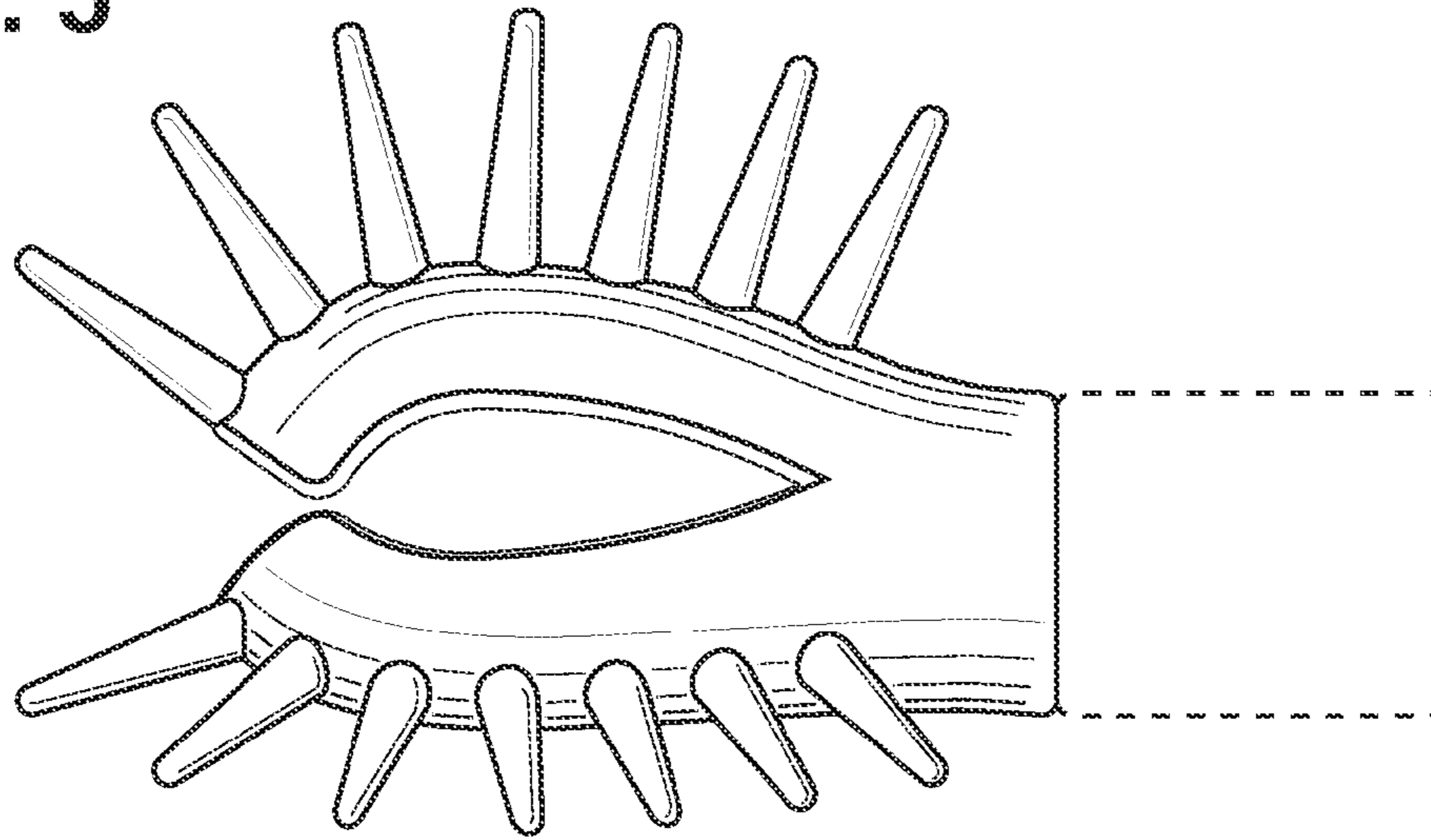


FIG. 6

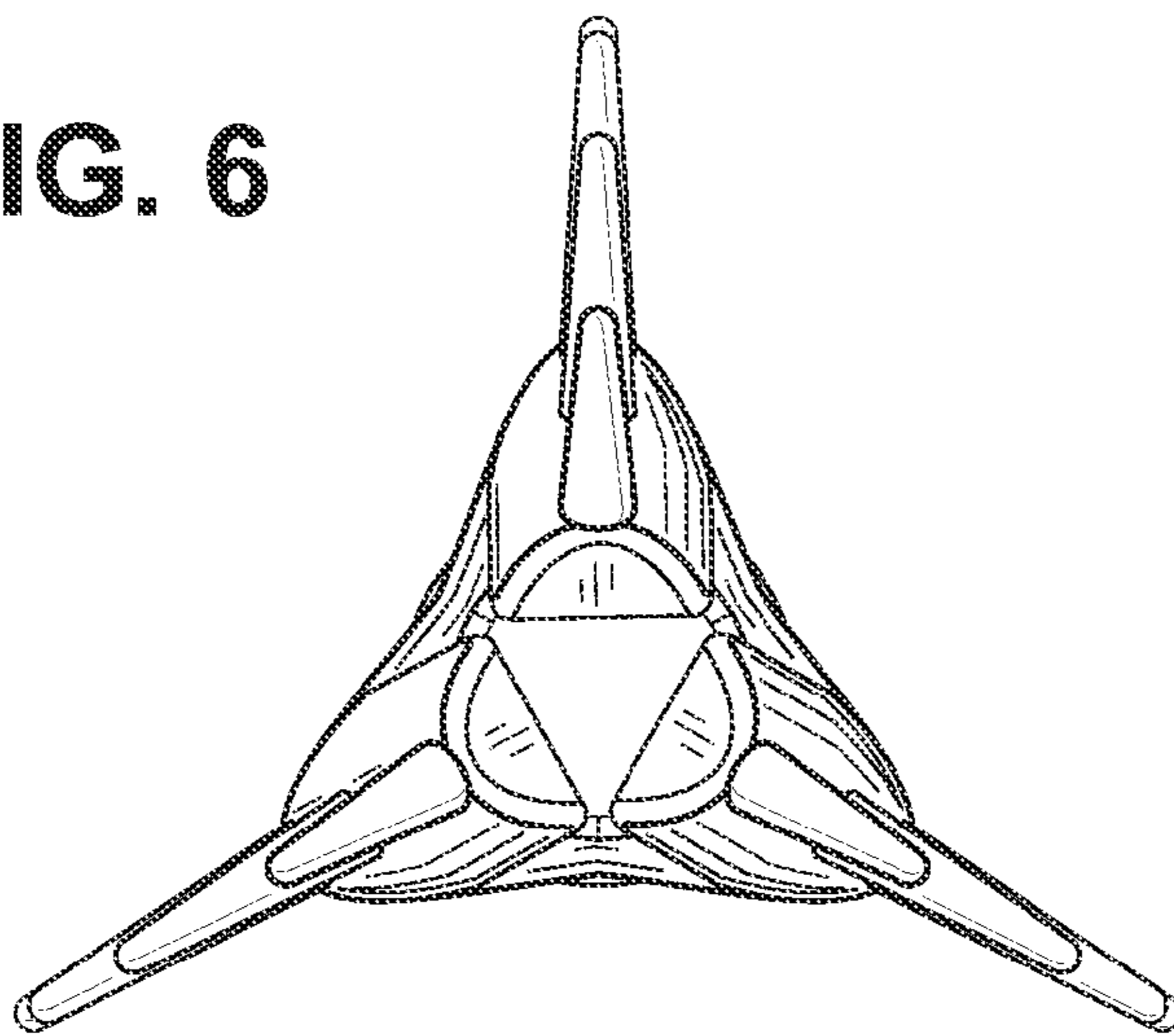


FIG. 7

