



US00D634546S

(12) **United States Design Patent**  
**Horwitz**

(10) **Patent No.:** **US D634,546 S**  
(45) **Date of Patent:** **\*\* Mar. 22, 2011**

(54) **GOLF CART ACCESSORIES CASE**

(75) Inventor: **Daniel N Horwitz**, Palm Beach Gardens,  
FL (US)

(73) Assignee: **Daniel N. Horwitz**, Palm Beach  
Gardens, FL (US)

(\*\*) Term: **14 Years**

(21) Appl. No.: **29/348,612**

(22) Filed: **Jan. 25, 2010**

(51) **LOC (9) Cl.** ..... **03-01**

(52) **U.S. Cl.** ..... **D3/320**

(58) **Field of Classification Search** ..... D3/304–315,  
D3/318, 320; D19/75, 81, 86, 90–91, 99–100;  
D6/569, 512, 552–553; 211/10, 13.1, 85.7,  
211/50, 126.14; 206/503–506

See application file for complete search history.

(56) **References Cited**

**U.S. PATENT DOCUMENTS**

D419,301 S *	1/2000	Hampshire	.....	D3/304
D480,427 S *	10/2003	Chen	.....	D19/85
D486,185 S *	2/2004	Sheldon et al.	.....	D19/90
D493,590 S *	7/2004	Chen	.....	D34/1
D510,953 S *	10/2005	Chen et al.	.....	D19/77
D535,842 S *	1/2007	Wood	.....	D6/567
D536,560 S *	2/2007	Hajianpour	.....	D6/518
D555,736 S *	11/2007	Decarlo et al.	.....	D19/90
D600,017 S *	9/2009	Christie	.....	D3/304

D601,837 S *	10/2009	Evans	.....	D6/553
D602,693 S *	10/2009	McClees	.....	D3/304
D605,405 S *	12/2009	Bodum	.....	D3/308
D606,348 S *	12/2009	White et al.	.....	D6/553
D607,254 S *	1/2010	Mak	.....	D6/553

\* cited by examiner

*Primary Examiner* — Elizabeth A Albert

*Assistant Examiner* — Kelley A Donnelly

(74) *Attorney, Agent, or Firm* — Vytas R. Matas

(57) **CLAIM**

The ornamental design for a golf cart accessories case, as shown and described.

**DESCRIPTION**

FIG. 1 is a perspective view of golf cart accessories case showing my new design;

FIG. 2 is a front view of the design of FIG. 1.

FIG. 3 is a top view of the design of FIG. 1.

FIG. 4 is a back view of the design of FIG. 1.

FIG. 5 is the bottom view of the design of FIG. 1.

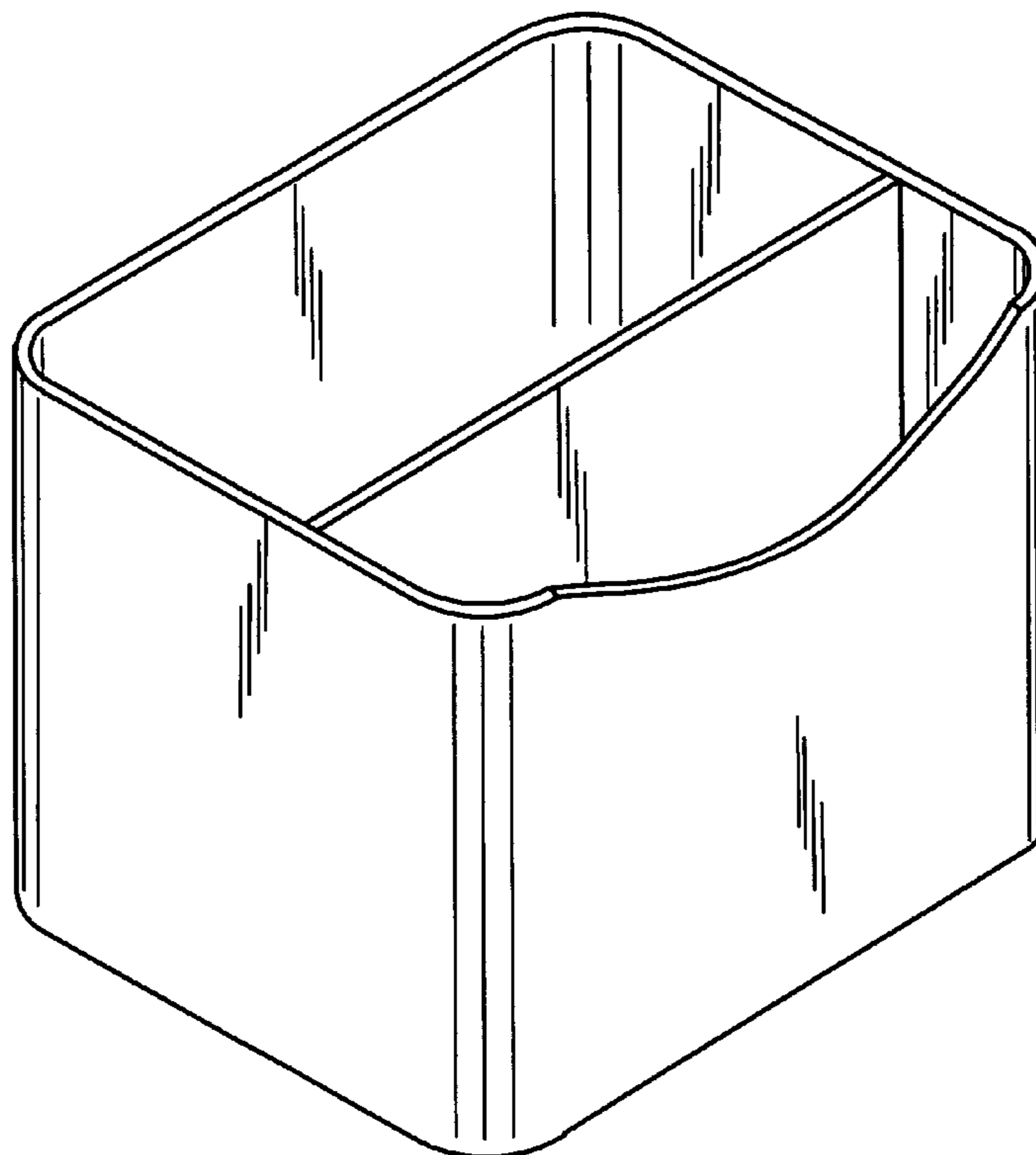
FIG. 6 is the left side view of the design of FIG. 1.

FIG. 7 is the right side view of the design of FIG. 1; and,

FIG. 8 is a perspective view of the case design of FIG. 1 in use.

The broken lines shown in FIGS. 3, 5, and 8 are for the purposes of illustrating the environment of the design only and form no part of the claimed design.

**1 Claim, 3 Drawing Sheets**



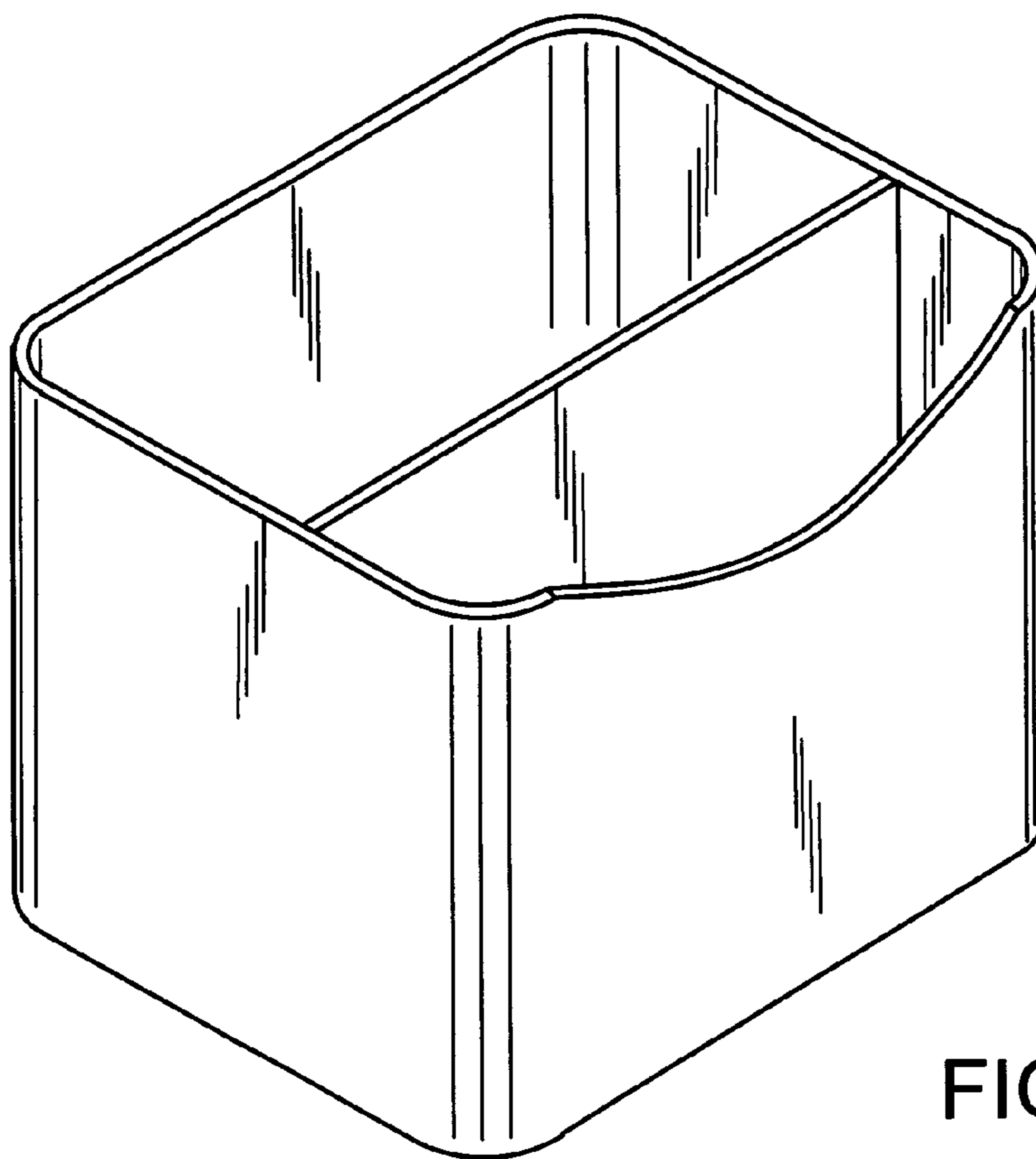


FIG. 1

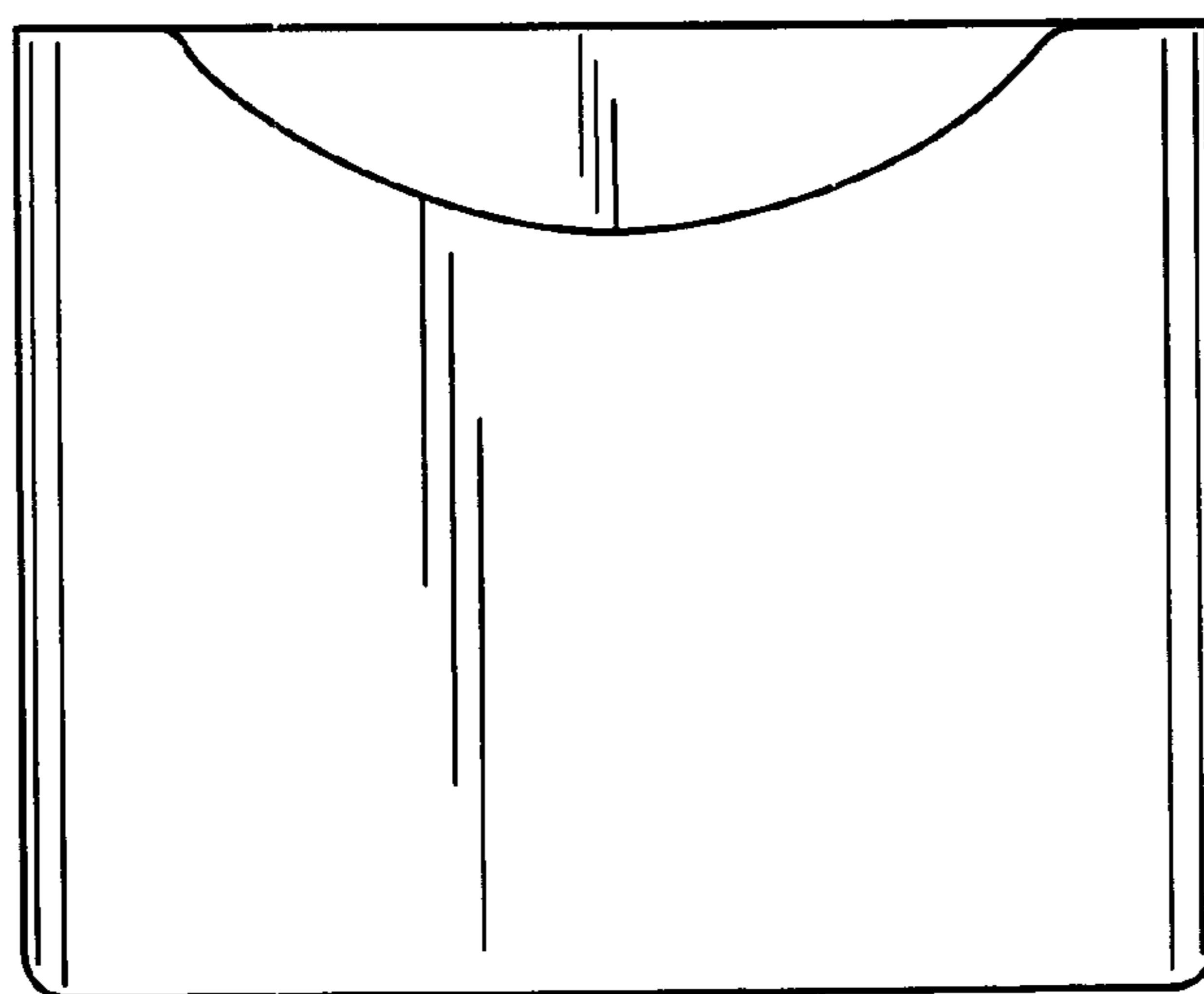


FIG. 2

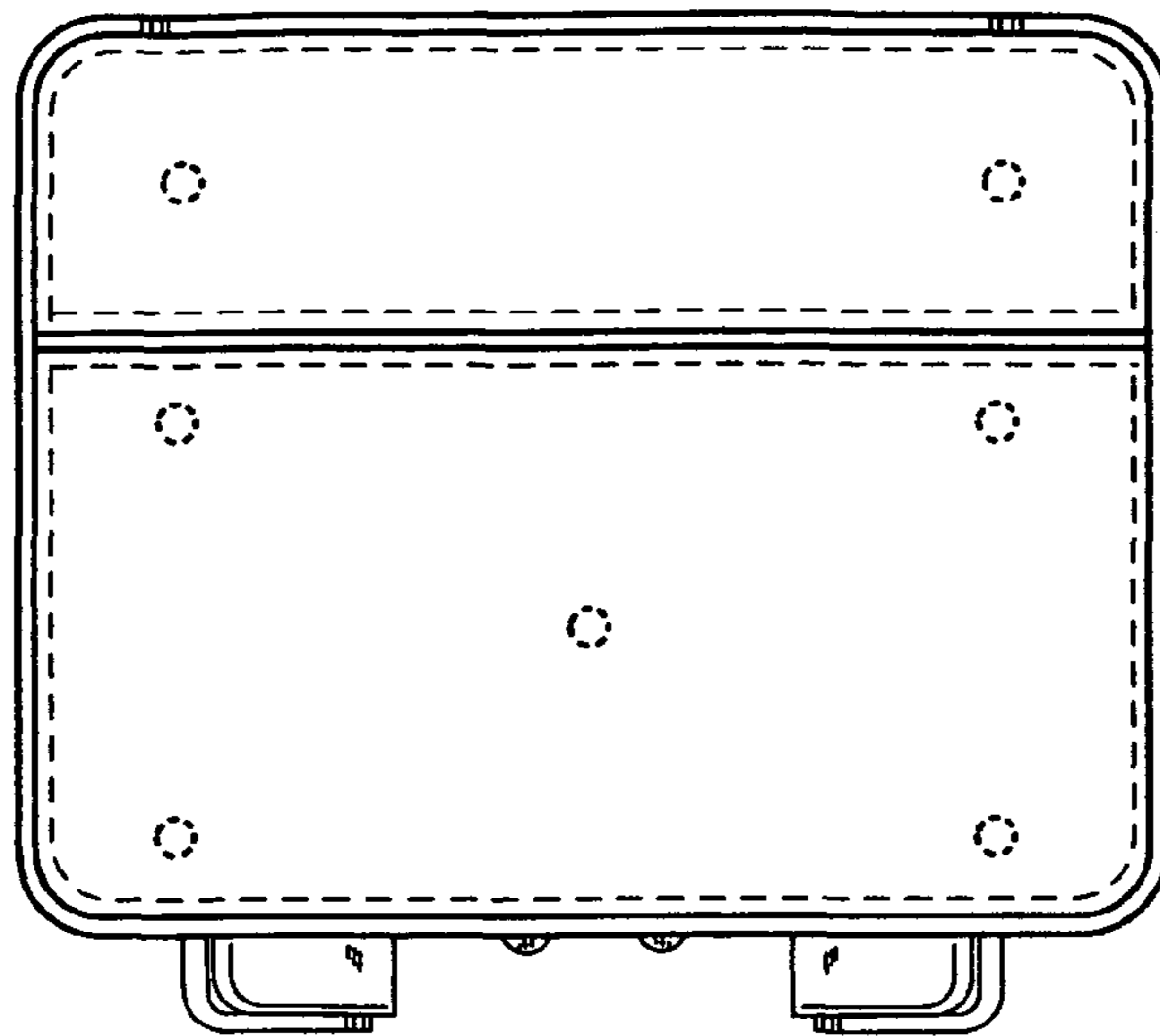


FIG. 3

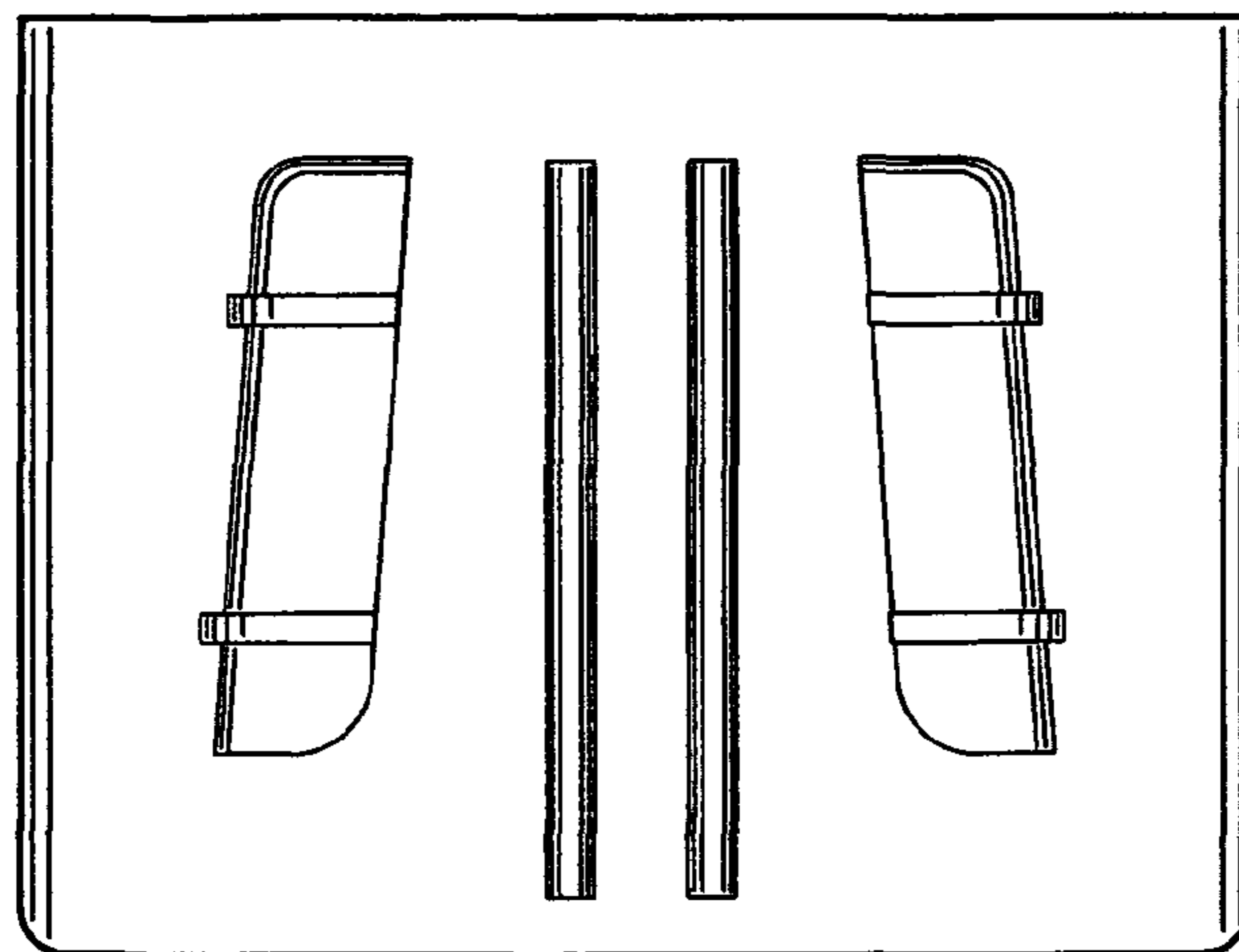


FIG. 4

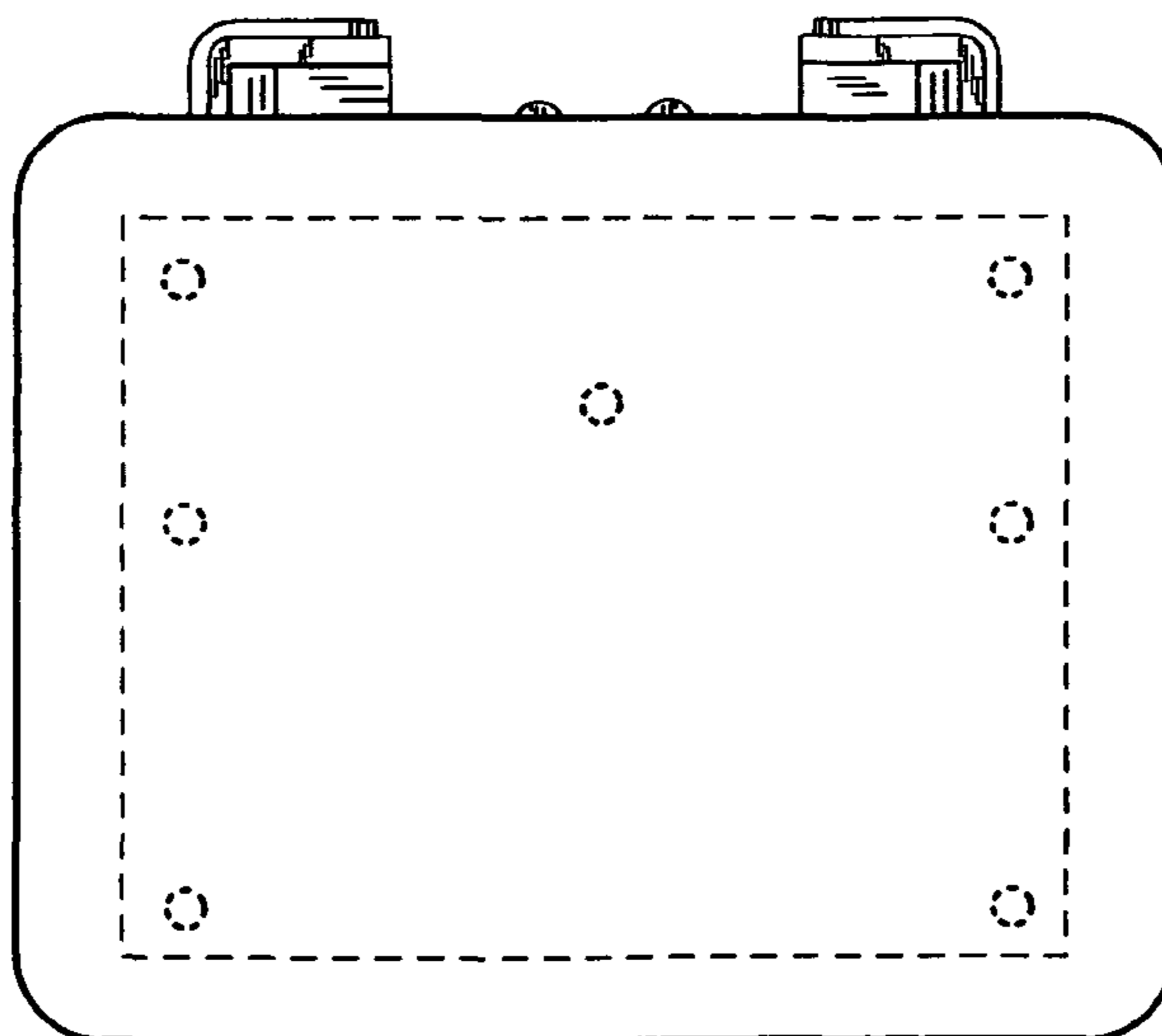


FIG. 5

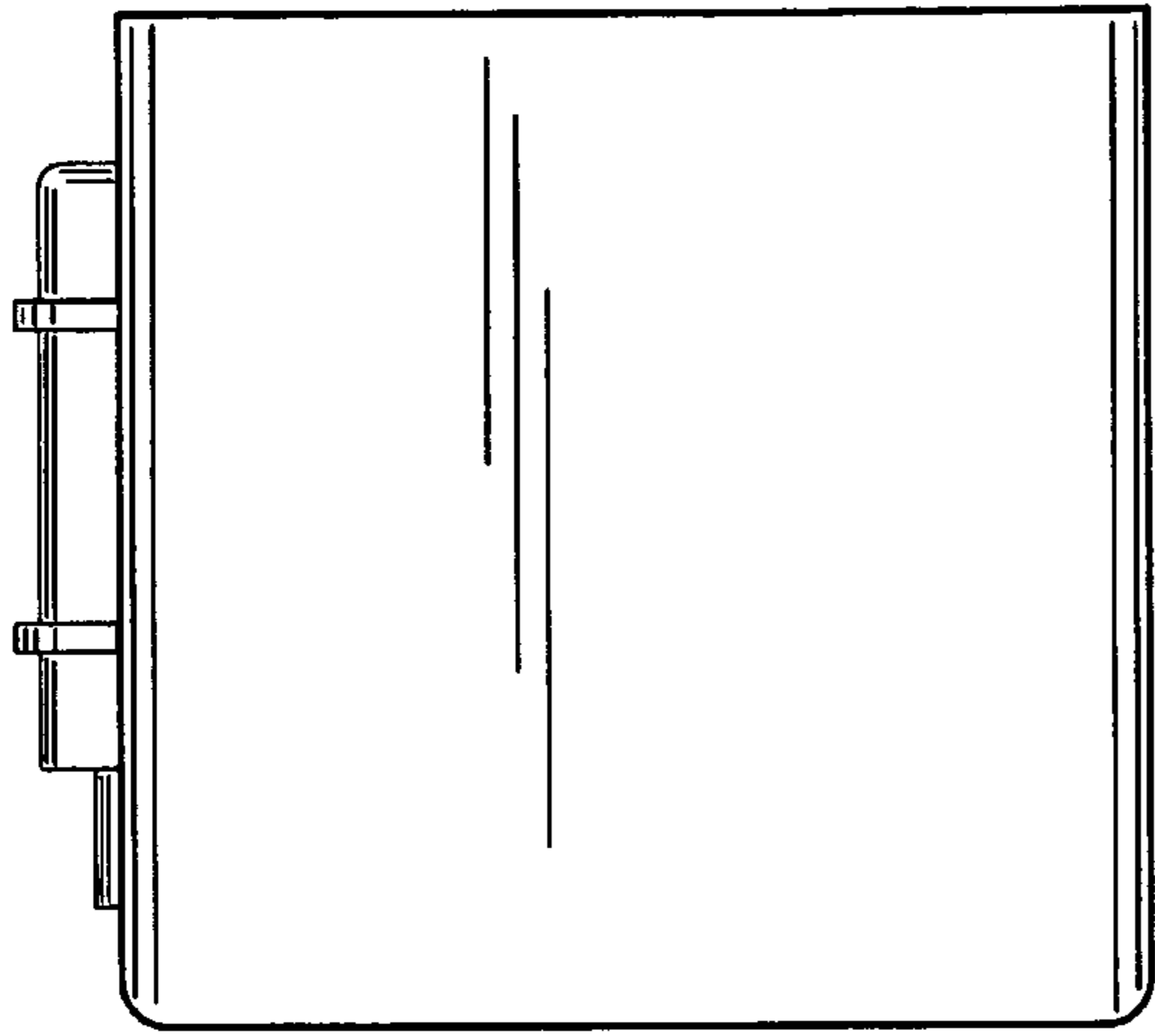


FIG. 6

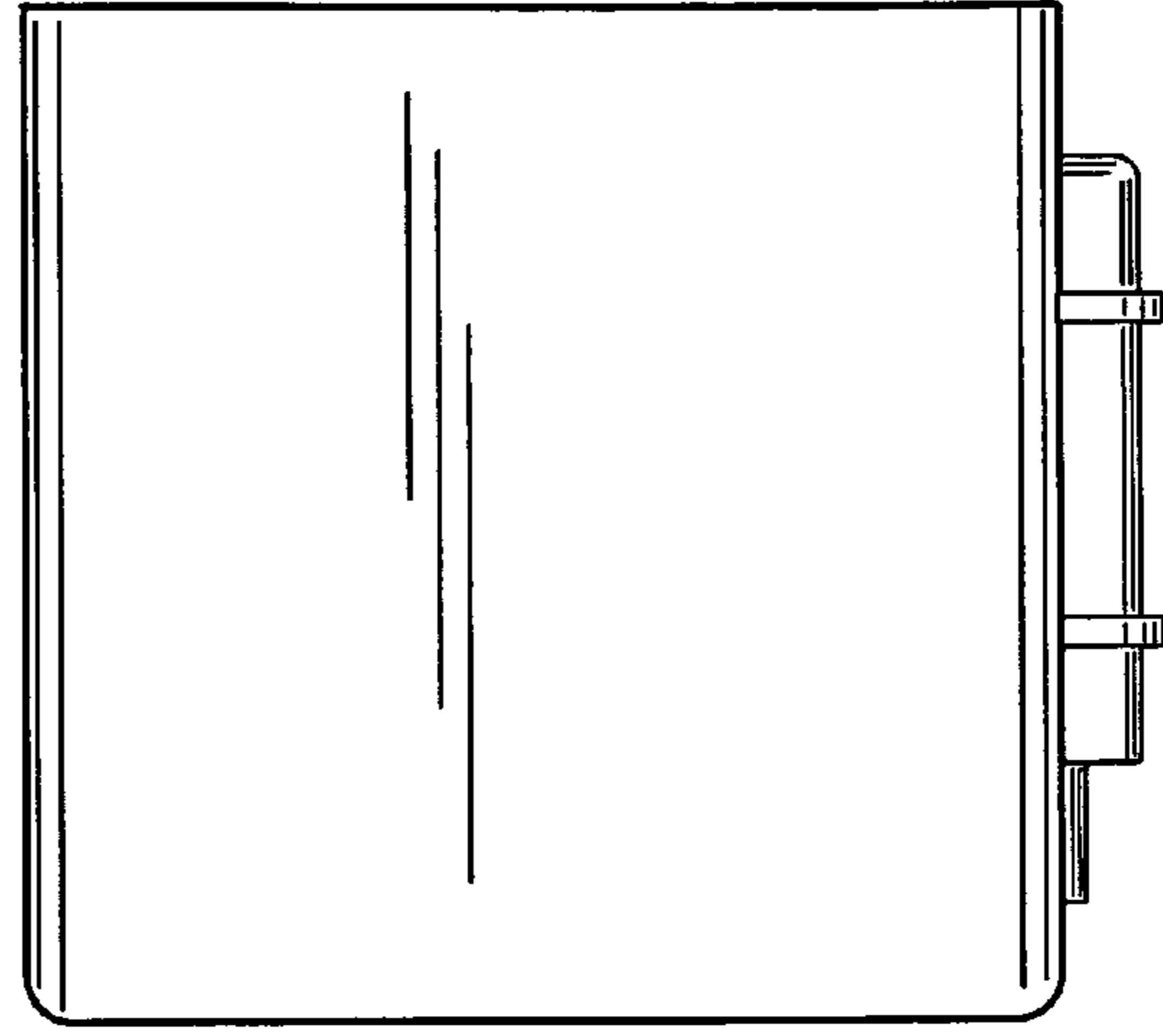


FIG. 7

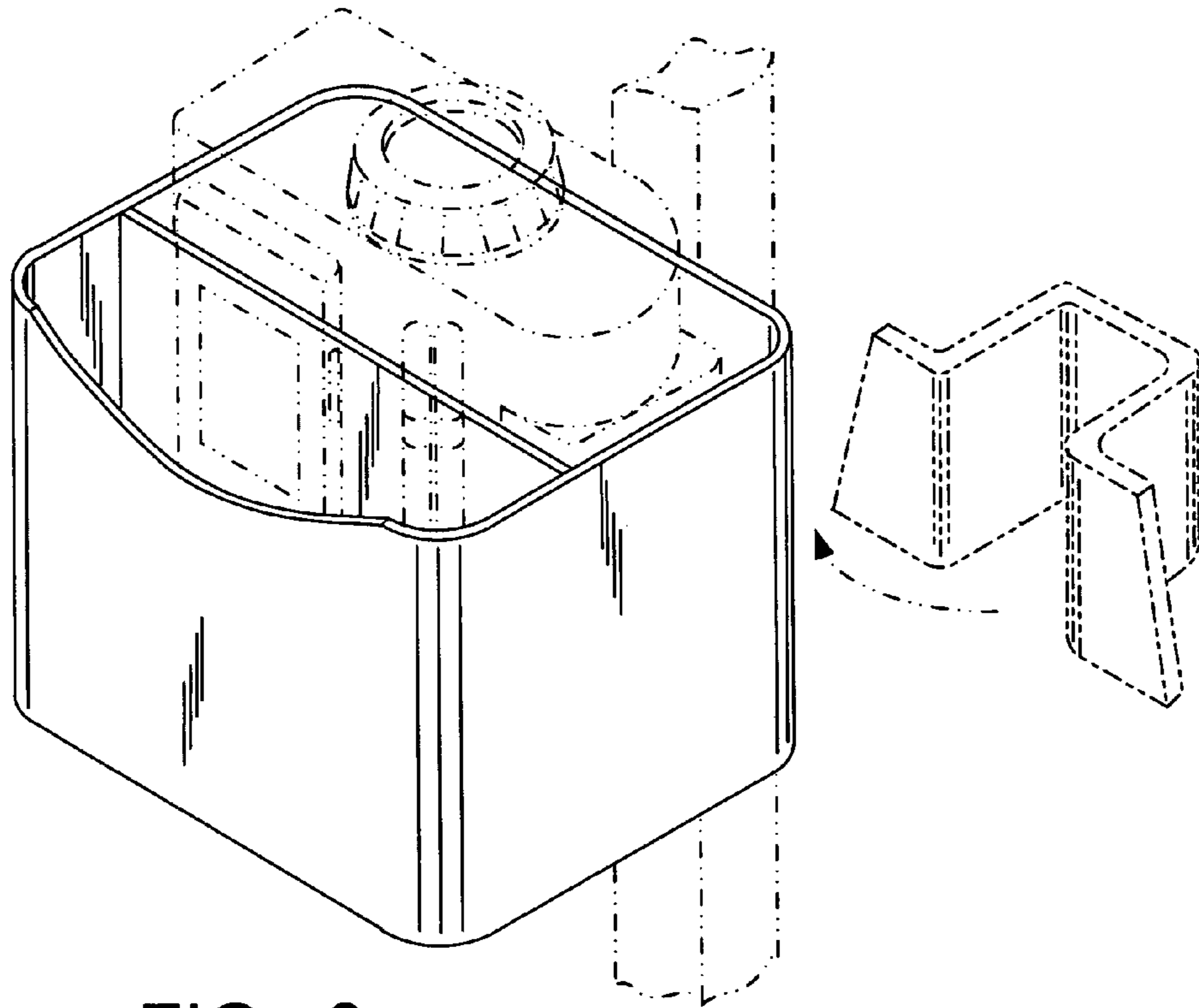


FIG. 8