



US00D634545S

(12) **United States Design Patent**
Fair

(10) **Patent No.:** **US D634,545 S**

(45) **Date of Patent:** **** Mar. 22, 2011**

(54) **HANDLE FOR LUGGAGE**

(75) Inventor: **Paul Fair**, Denver, CO (US)

(73) Assignee: **Thule Organization Solutions, Inc.**,
Longmont, CO (US)

(**) Term: **14 Years**

(21) Appl. No.: **29/352,519**

(22) Filed: **Dec. 22, 2009**

(51) **LOC (9) Cl.** **03-01**

(52) **U.S. Cl.** **D3/318**

(58) **Field of Classification Search** D3/283-287,
D3/273, 290, 279; 190/108-115, 117, 119,
190/125

See application file for complete search history.

(56) **References Cited**

U.S. PATENT DOCUMENTS

D424,400 S *	5/2000	Lin	D8/302
D485,988 S *	2/2004	Moon	D3/318
D575,514 S *	8/2008	Moon	D3/318

* cited by examiner

Primary Examiner — Holly H Baynham

(74) *Attorney, Agent, or Firm* — Sheridan Ross P.C.

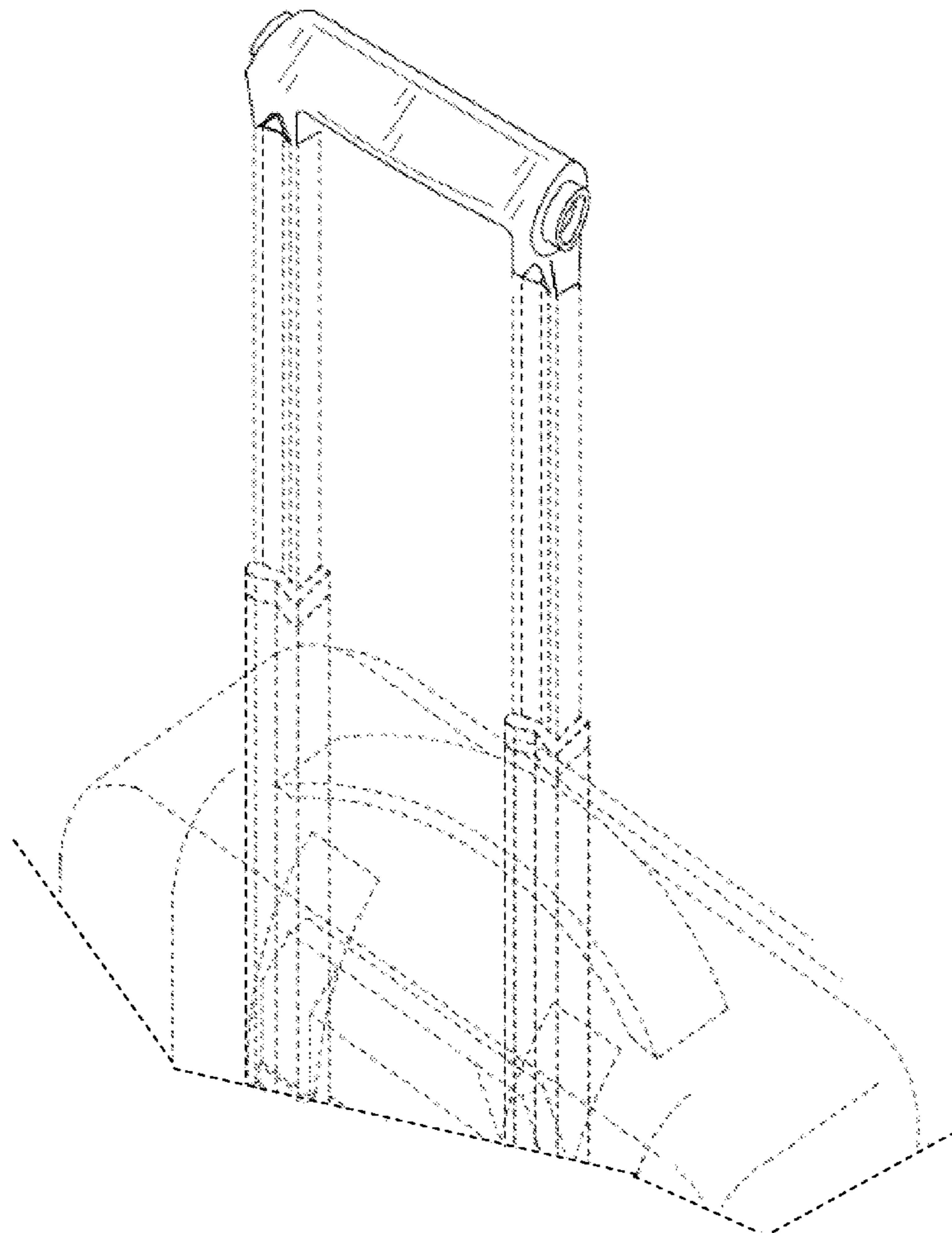
(57) **CLAIM**

The ornamental design for a handle for luggage, as shown and described.

DESCRIPTION

FIG. 1 is a perspective view of the handle shown interconnected to luggage;
FIG. 2 is a front elevation view thereof;
FIG. 3 is a rear elevation view thereof;
FIG. 4 is a right elevation view thereof;
FIG. 5 is a top plan view thereof;
FIG. 6 is a bottom plan view thereof; and,
FIG. 7 is a left elevation view thereof.
The broken lines are environment for illustrative purposes only and form no part of the claimed design.

1 Claim, 4 Drawing Sheets



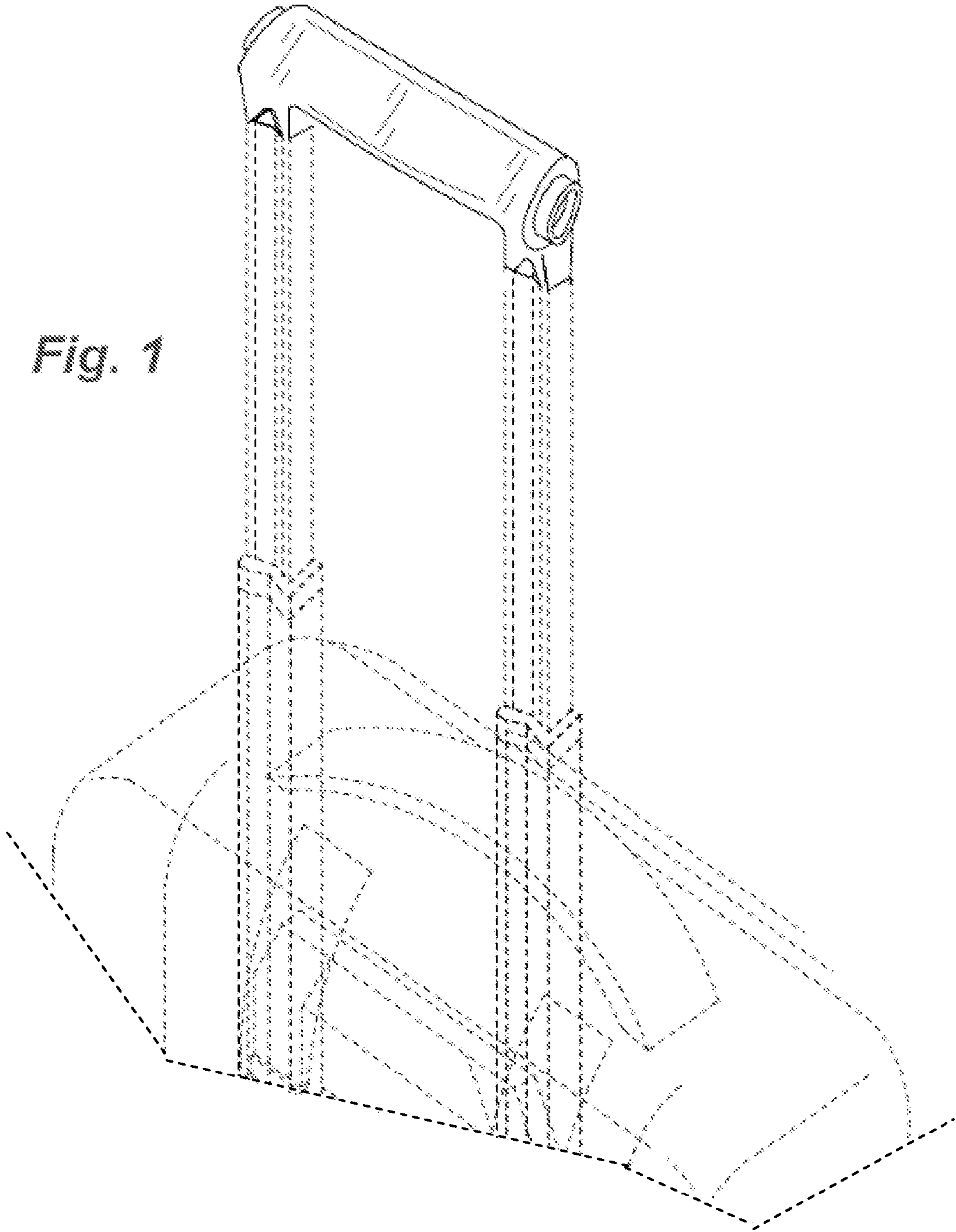


Fig. 1

Fig. 2

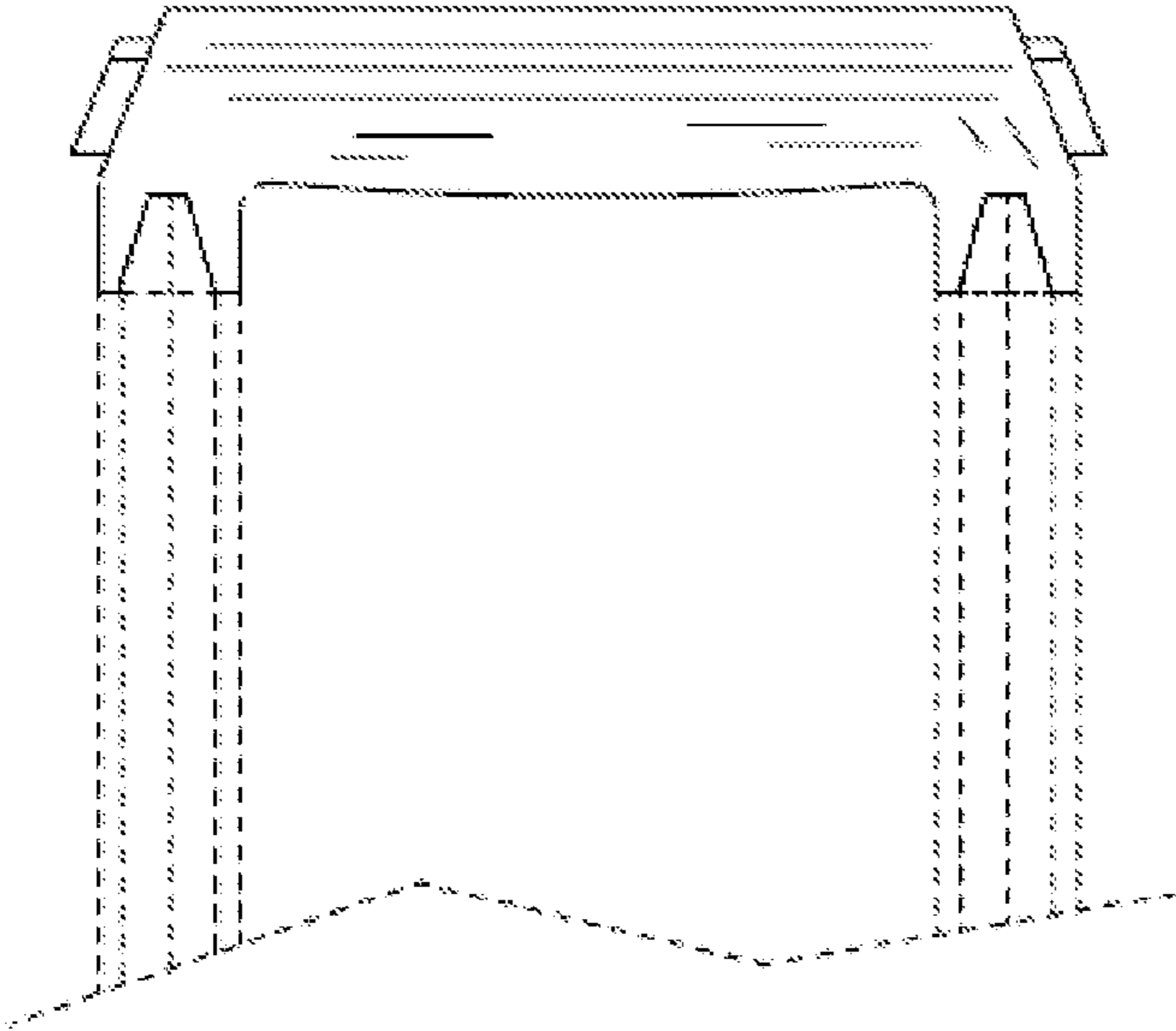


Fig. 3

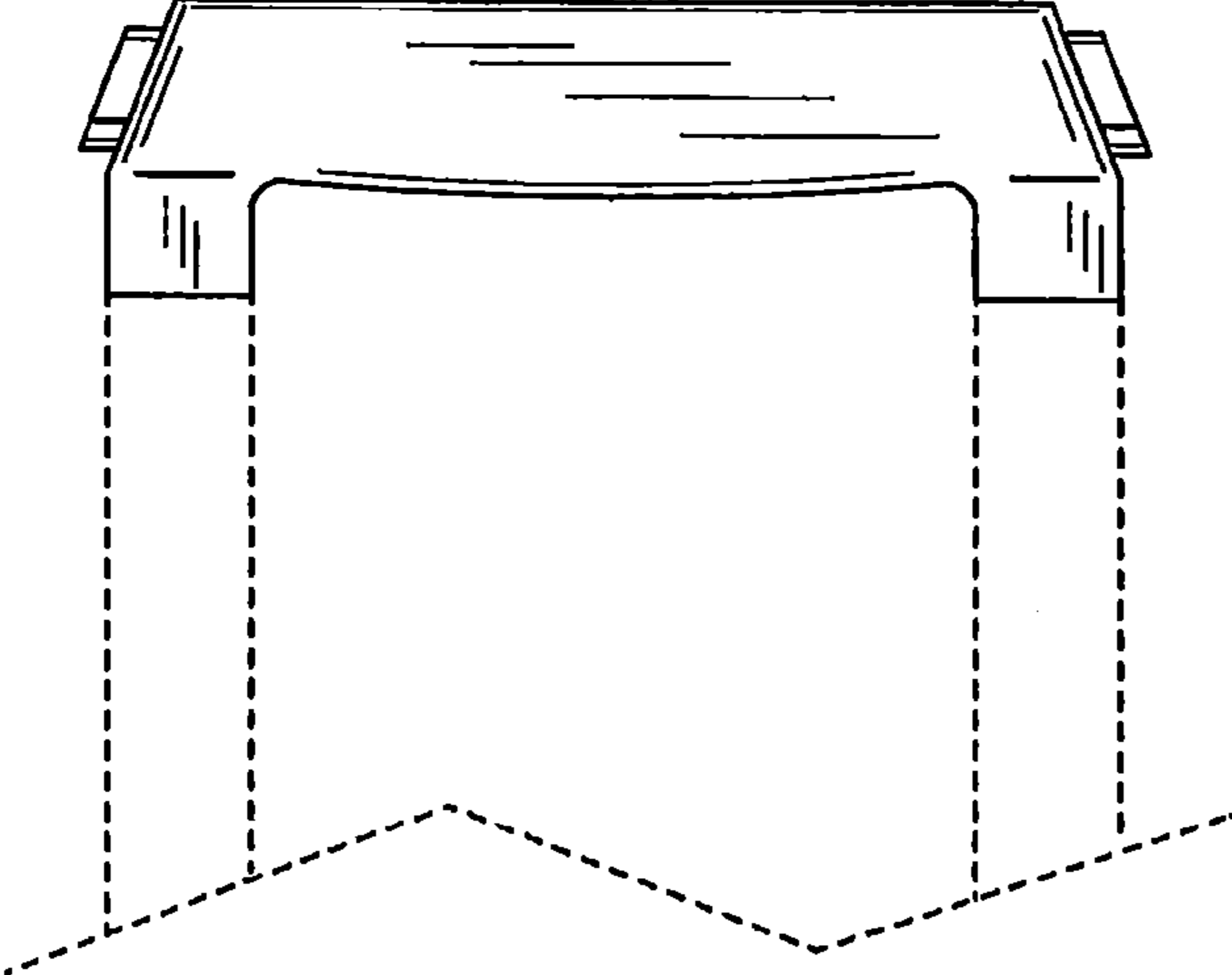


Fig. 4

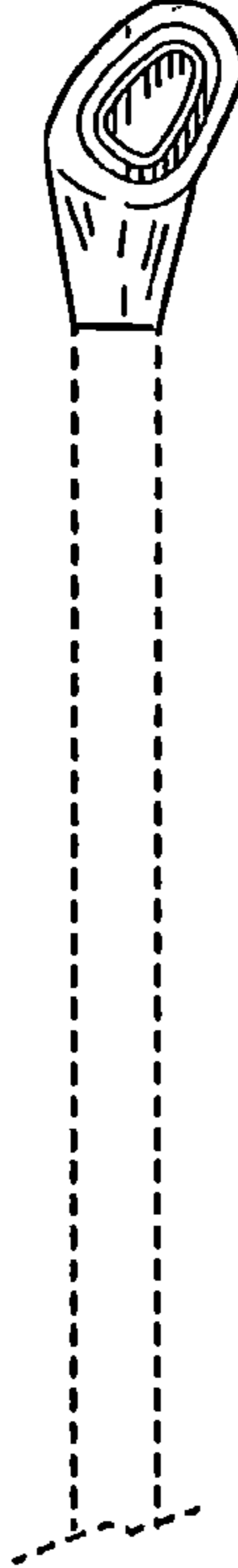


Fig. 5

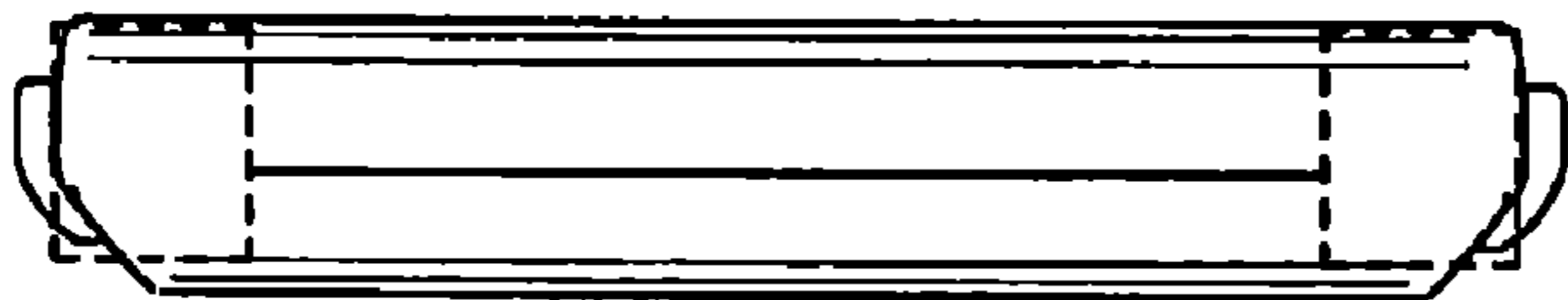
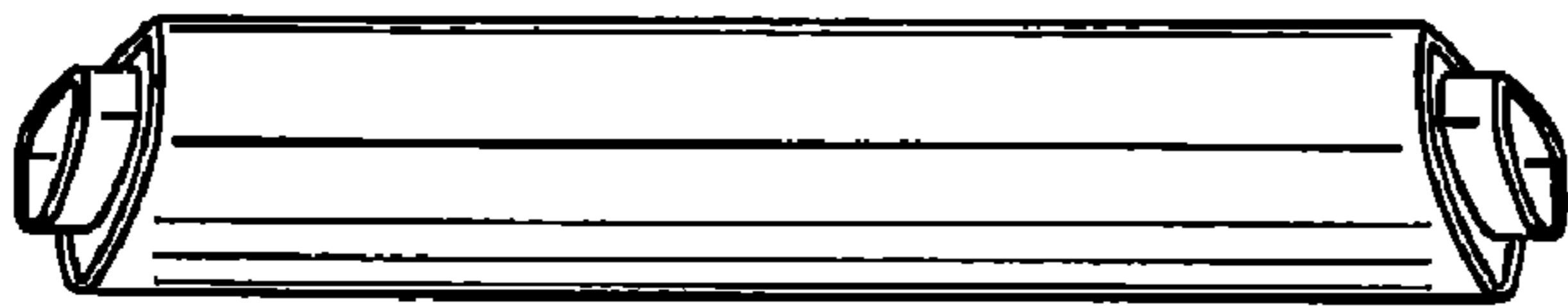


Fig. 6

Fig. 7

