



US00D634542S

(12) **United States Design Patent**
Horner

(10) **Patent No.:** **US D634,542 S**

(45) **Date of Patent:** **** Mar. 22, 2011**

(54) **HELMET CARRIER**

(76) Inventor: **Caroline Amanda Horner**, Stones
Corner (AU)

(**) Term: **14 Years**

(21) Appl. No.: **29/354,815**

(22) Filed: **Jan. 28, 2010**

(51) **LOC (9) Cl.** **03-01**

(52) **U.S. Cl.** **D3/317**

(58) **Field of Classification Search** D3/317;
D29/102, 104; 294/1.1, 15, 158, 161

See application file for complete search history.

(56) **References Cited**

U.S. PATENT DOCUMENTS

4,826,231	A *	5/1989	Bakhit	294/158
5,930,841	A *	8/1999	Lampe et al.	2/411
D495,093	S *	8/2004	Tintera	D29/102
D532,161	S *	11/2006	Finquel	D29/102

* cited by examiner

Primary Examiner — Holly H Baynham

(74) *Attorney, Agent, or Firm* — Kunzler Needham Massey
& Thorpe

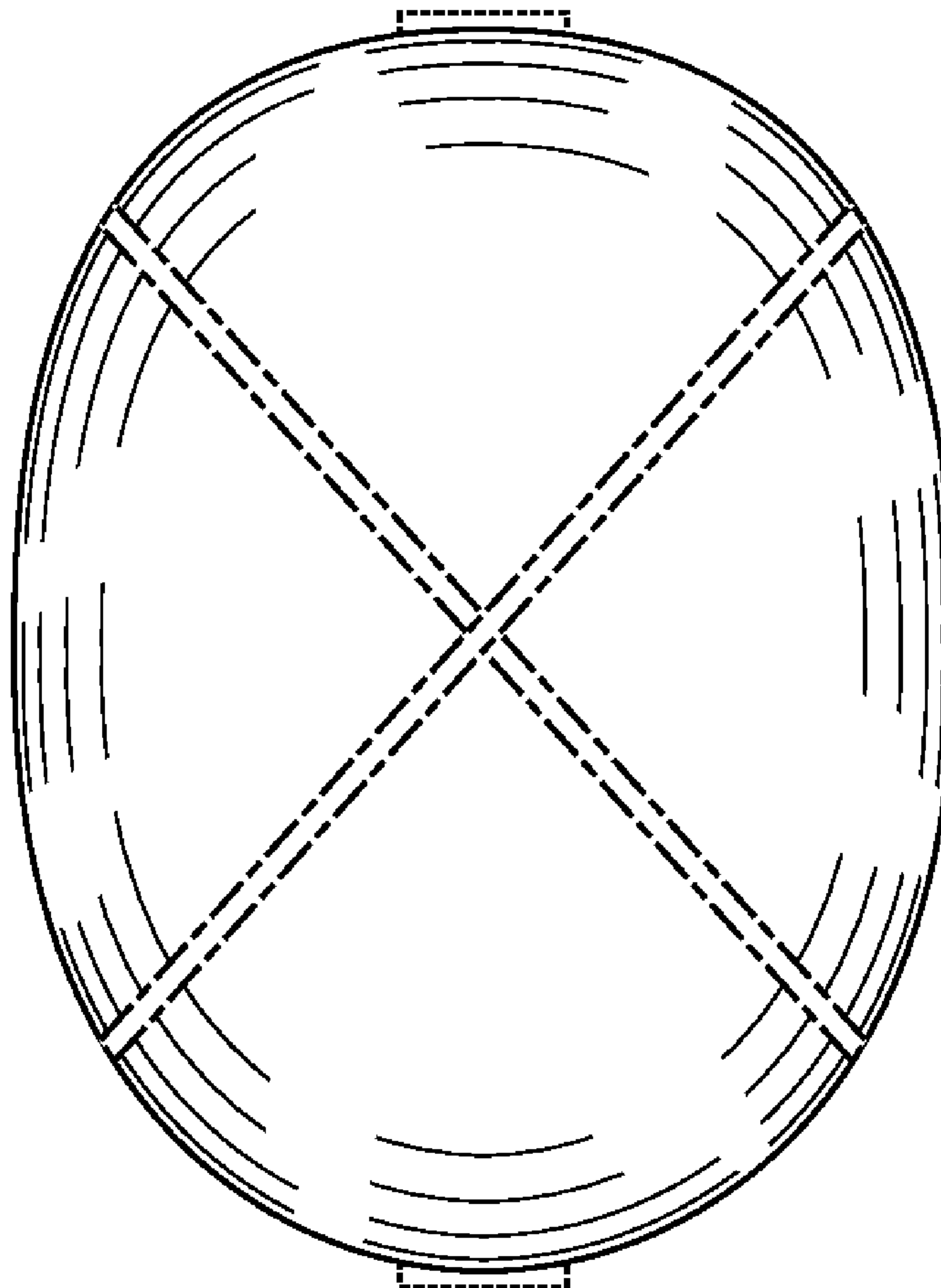
(57) **CLAIM**

The ornamental design for a helmet carrier, as shown and described.

DESCRIPTION

FIG. 1 is a top view;
 FIG. 2 is a left side view;
 FIG. 3 is a front view;
 FIG. 4 is a right side view;
 FIG. 5 is a rear view;
 FIG. 6 is a bottom view;
 FIG. 7 is an upper rear perspective view;
 FIG. 8 is a reduced scale right side, environmental view of a helmet carrier on a travel bag;
 FIG. 9 is another environmental, front view of a helmet carrier on a travel bag; and,
 FIG. 10 is another environmental, right, top, perspective view of the helmet carrier on a travel bag.
 The broken line showing of structure on the carrier and a travel bag is included for the purpose of illustrating environment and forms no part of the claimed design.

1 Claim, 5 Drawing Sheets



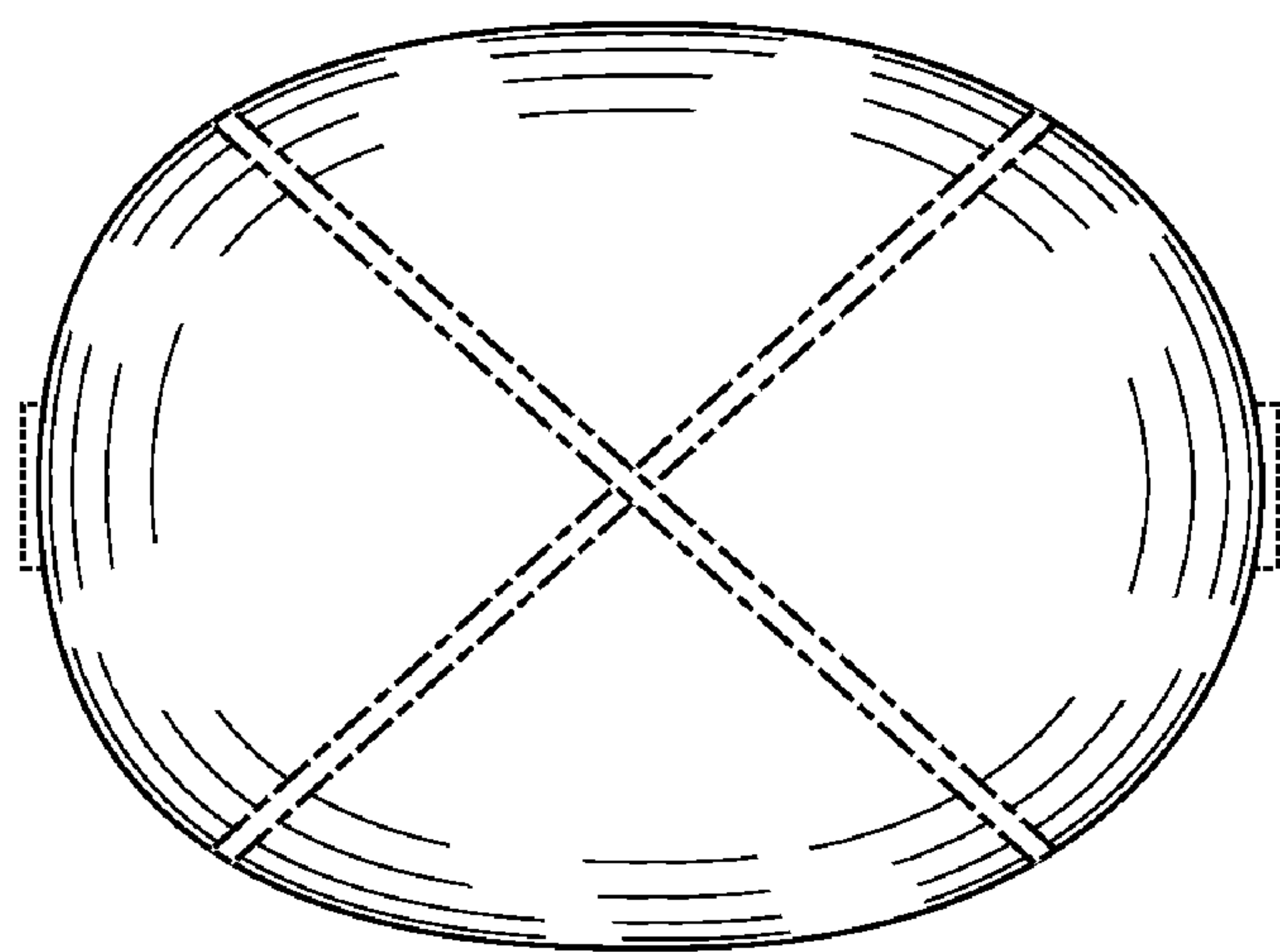


Fig. 1

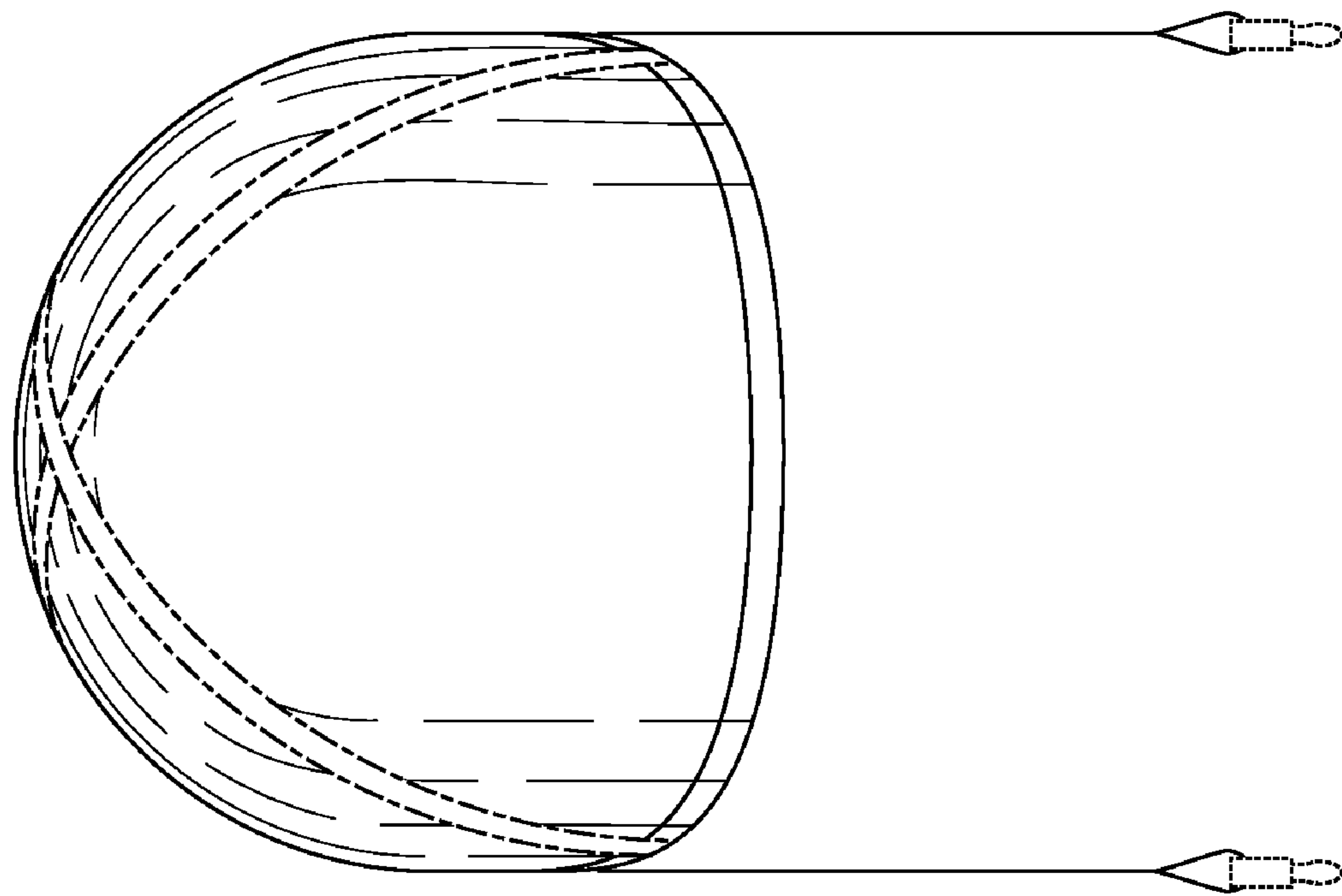


Fig. 2

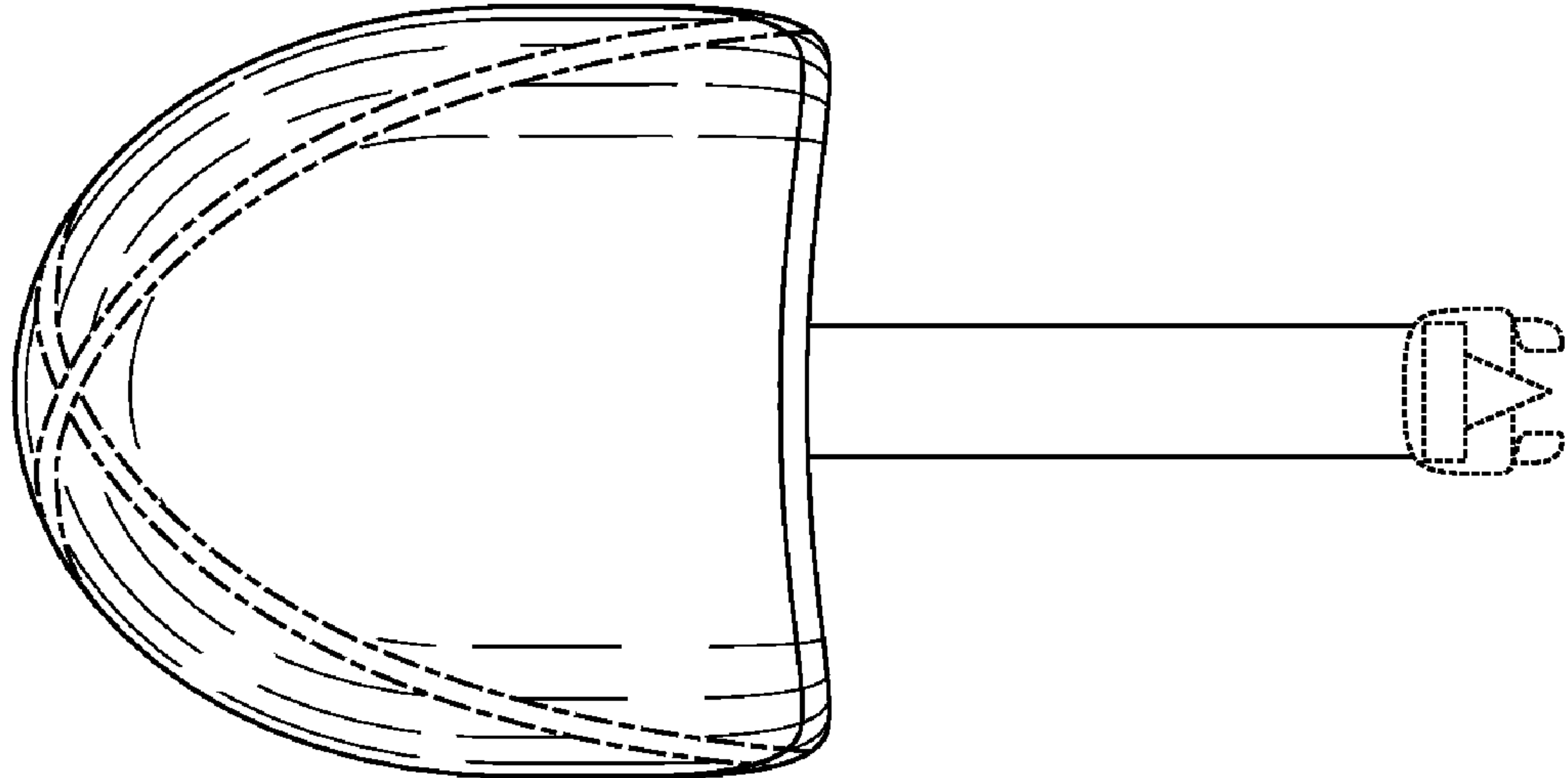


Fig. 4

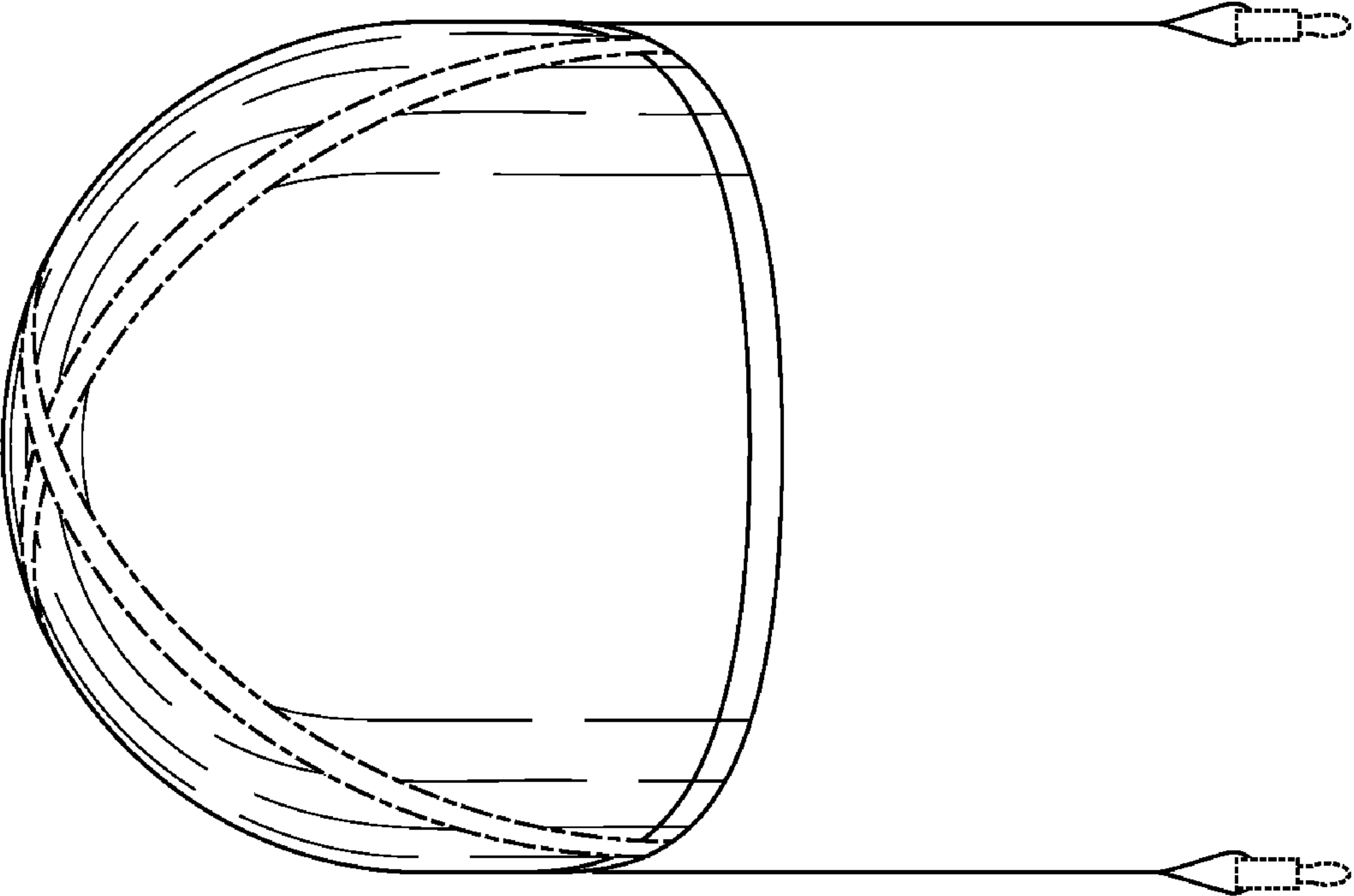


Fig. 3

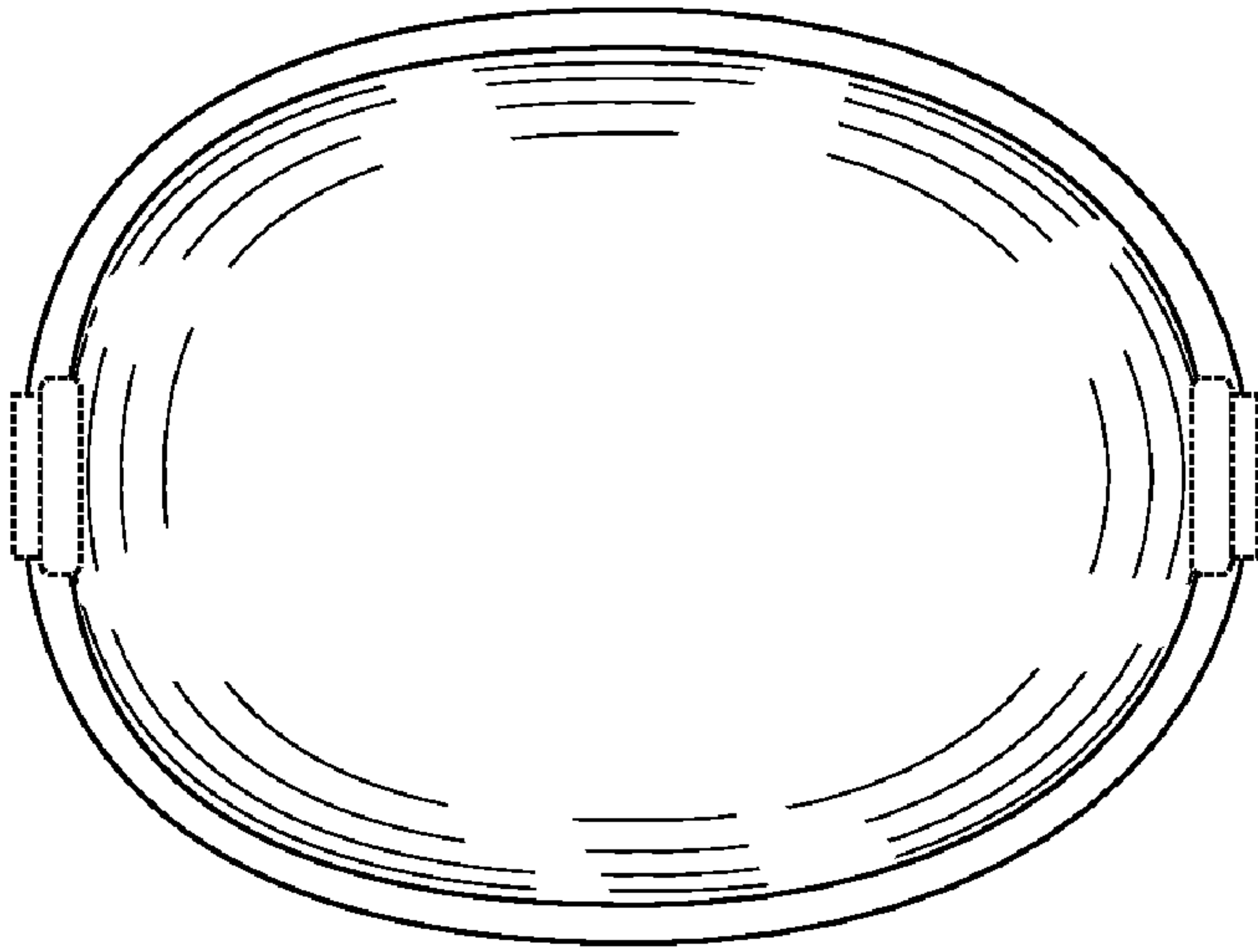


Fig. 6

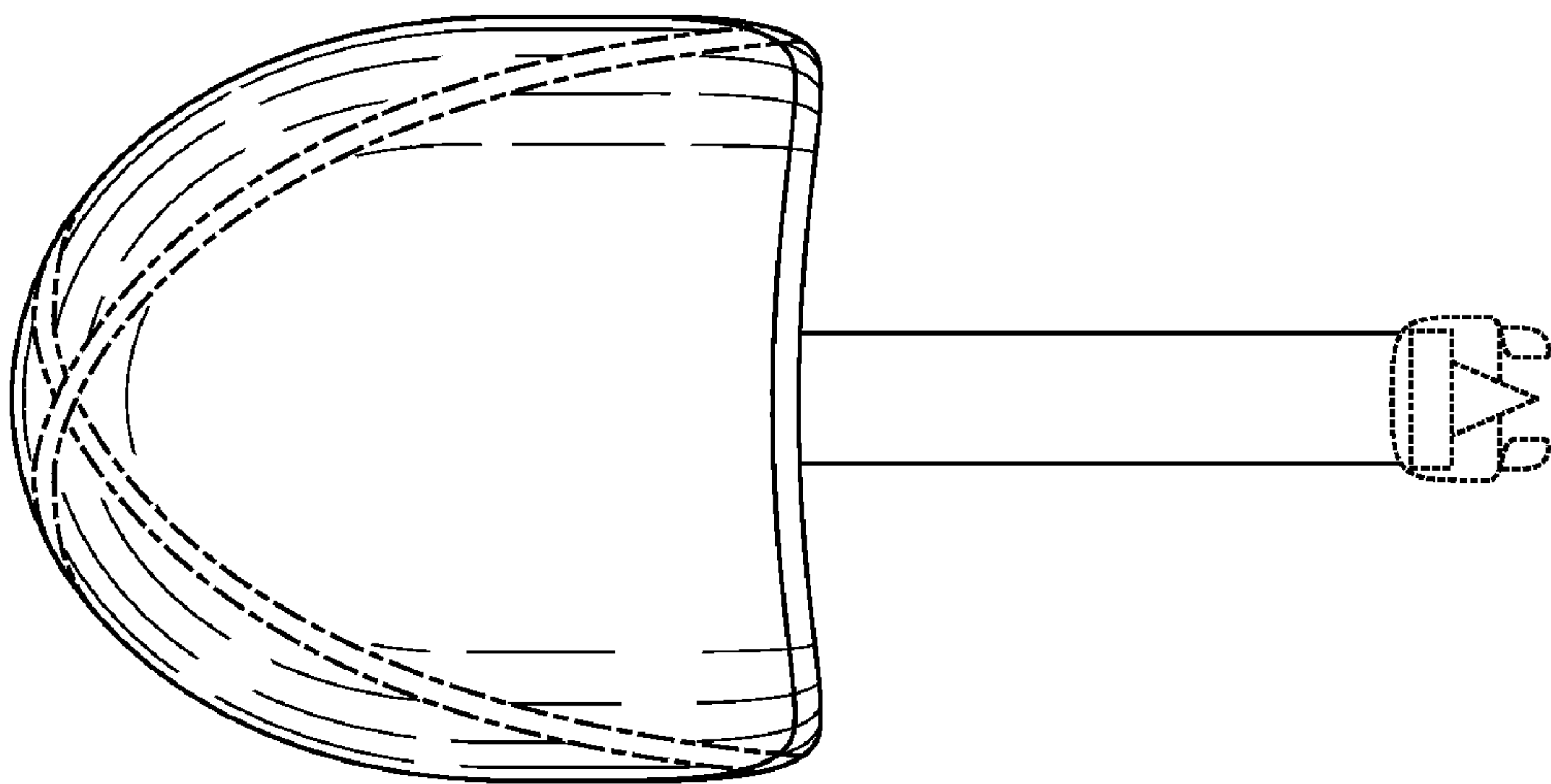


Fig. 5

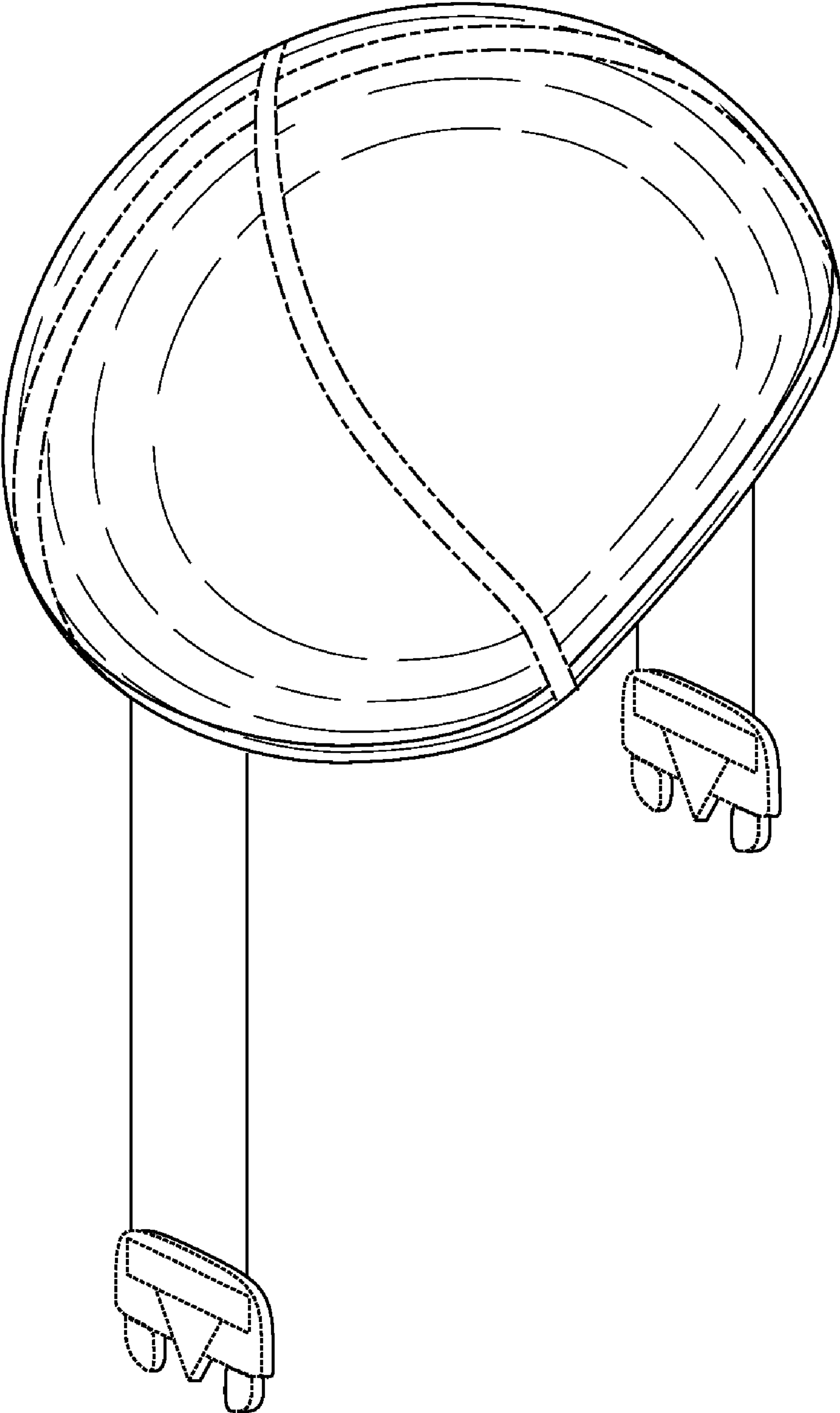


Fig. 7

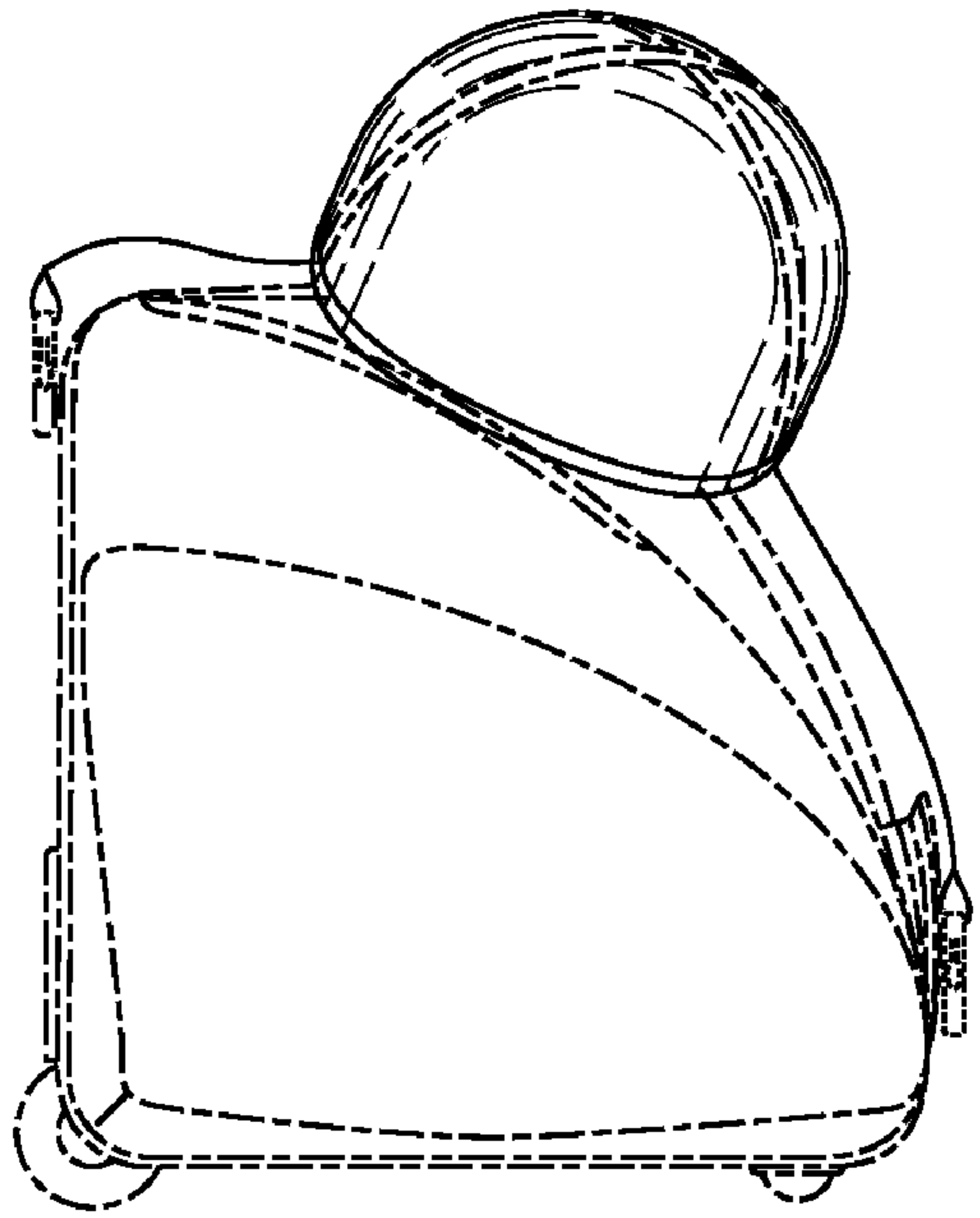


Fig. 8

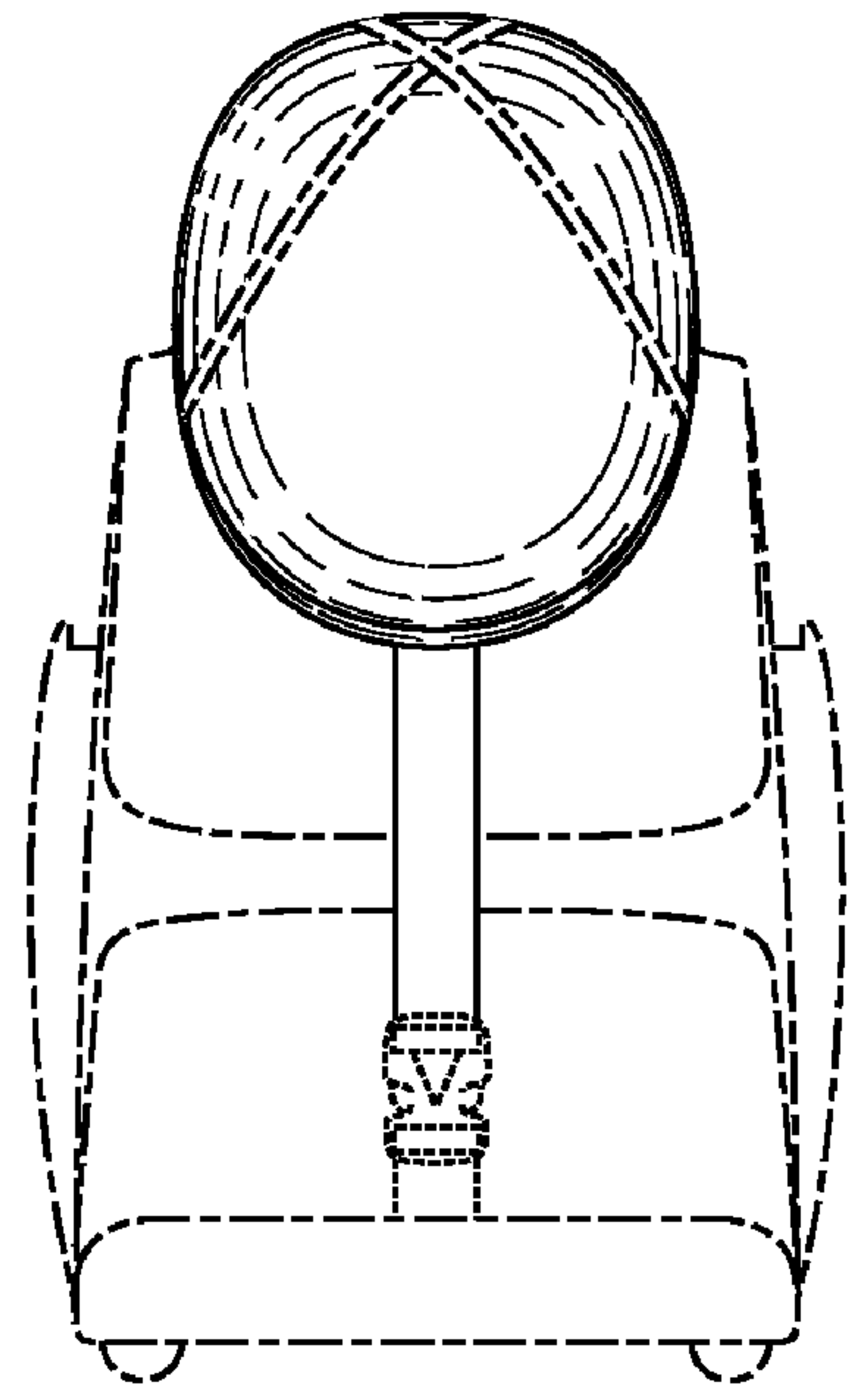


Fig. 9

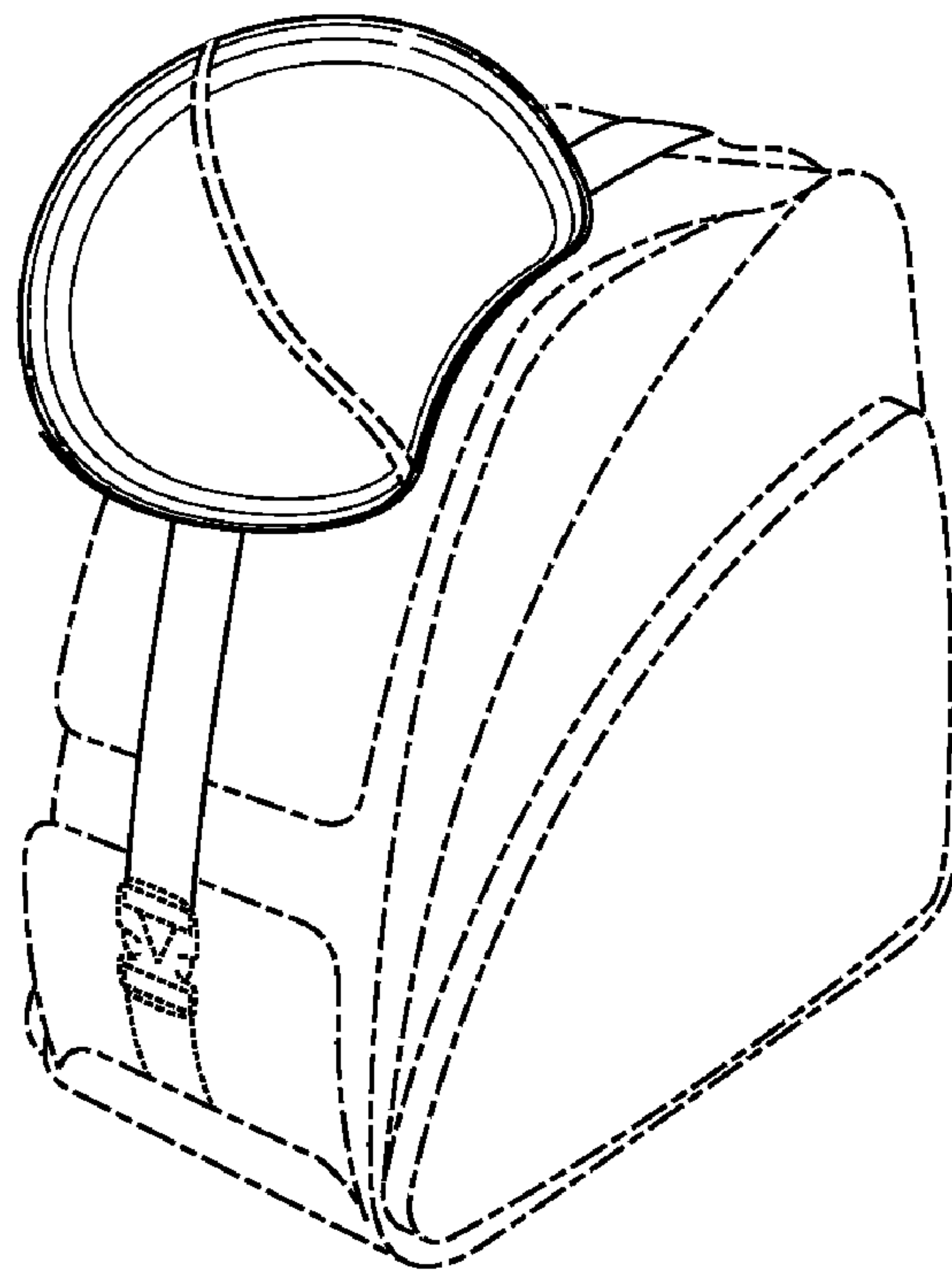


Fig. 10