



US00D634538S

(12) **United States Design Patent**
Dumas

(10) **Patent No.:** **US D634,538 S**

(45) **Date of Patent:** **** Mar. 22, 2011**

(54) **CONTAINER**

(76) Inventor: **Niki Anne Catherine Dumas**, Glenfield (NZ)

(**) Term: **14 Years**

(21) Appl. No.: **29/364,397**

(22) Filed: **Jun. 23, 2010**

(51) **LOC (9) Cl.** **03-01**

(52) **U.S. Cl.** **D3/203.5**

(58) **Field of Classification Search** D3/201–205,
D3/272–273, 280–284, 294–295, 901, 903,
D3/905; 206/528–540, 569–570, 581, 459.5
See application file for complete search history.

(56) **References Cited**

U.S. PATENT DOCUMENTS

D329,328 S *	9/1992	Stephens	D3/295
D367,558 S *	3/1996	Lai	D3/281
D425,294 S *	5/2000	Haverstick	D3/203.1
6,779,665 B2 *	8/2004	Bolanos	206/569
7,308,985 B2 *	12/2007	Riley	206/570

* cited by examiner

Primary Examiner — Catherine R Oliver

(74) *Attorney, Agent, or Firm* — Greer, Burns & Crain, Ltd.

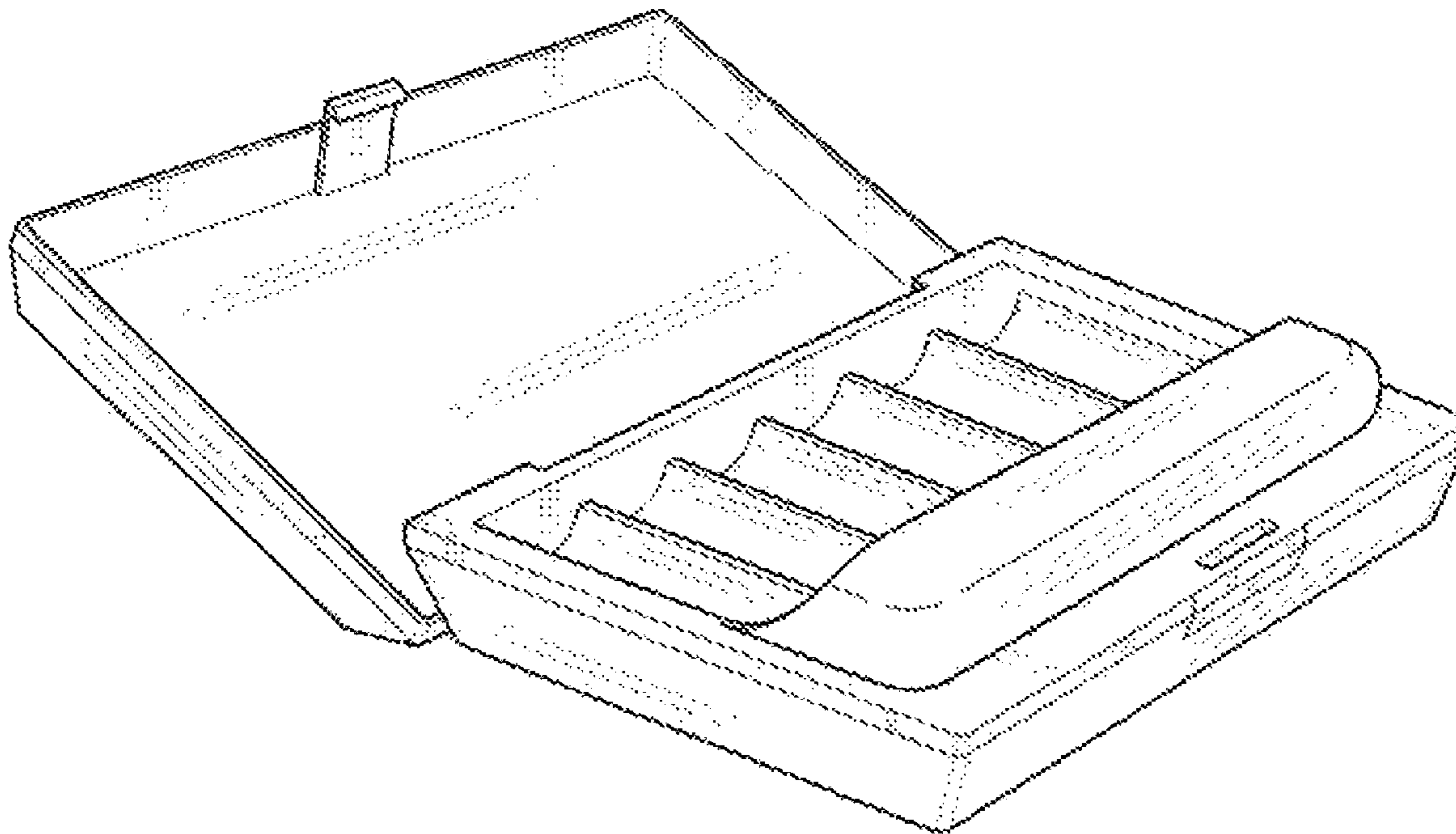
(57) **CLAIM**

The ornamental design for a container, as shown and described.

DESCRIPTION

FIG. 1 is a top view of the present container;
FIG. 2 is a front view of same;
FIG. 3 is a bottom view of the container of FIG. 1;
FIG. 4 is a rear view of same;
FIG. 5 is a left side view of the present container;
FIG. 6 is a right side view of same;
FIG. 7 is a top perspective view of the container of FIG. 1;
FIG. 8 is a top view of the present container in an open position;
FIG. 9 is a side view of the container of FIG. 8, both sides being mirror images of each other; and,
FIG. 10 is a top perspective view of the container of FIG. 8.

1 Claim, 6 Drawing Sheets



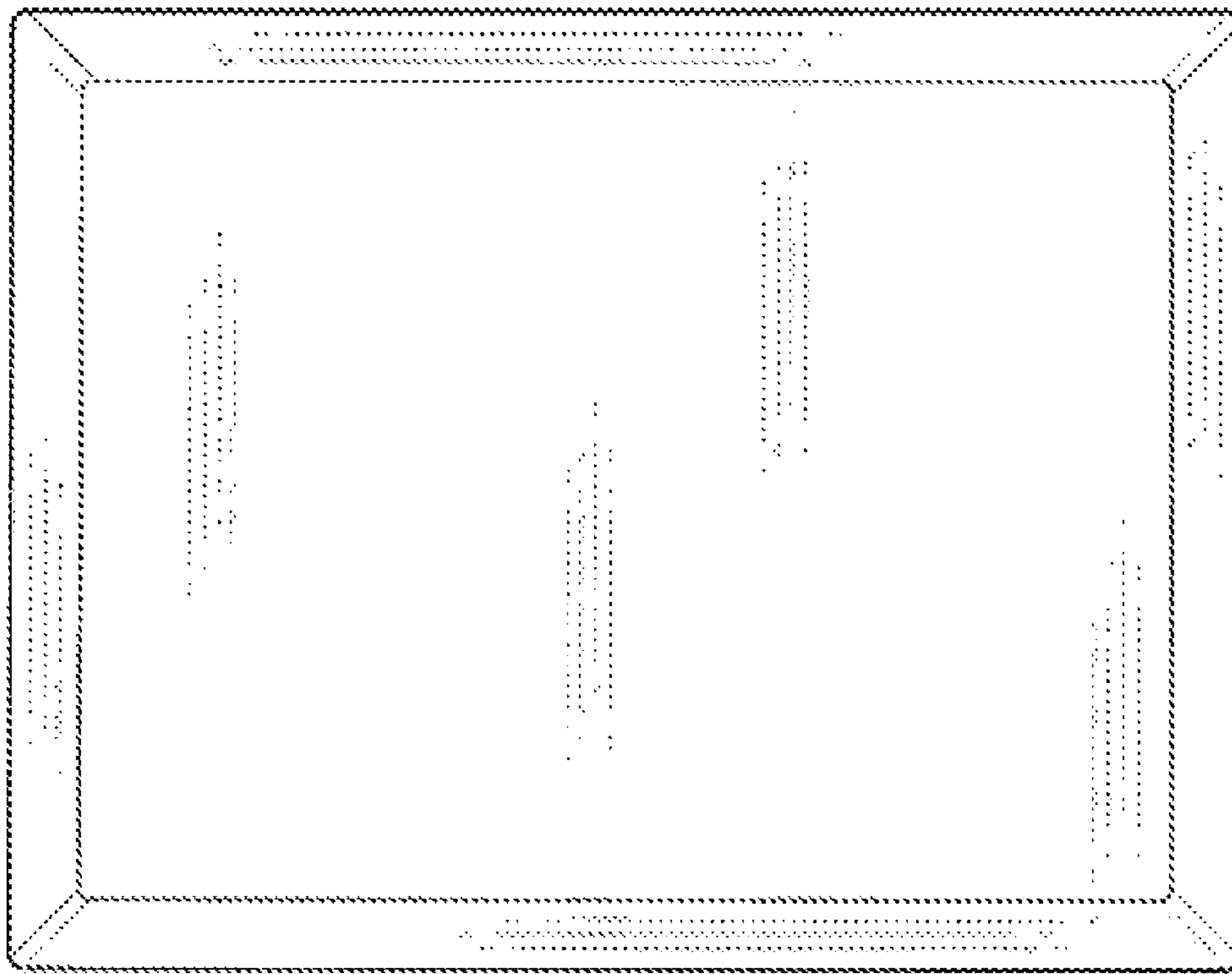


Figure 1

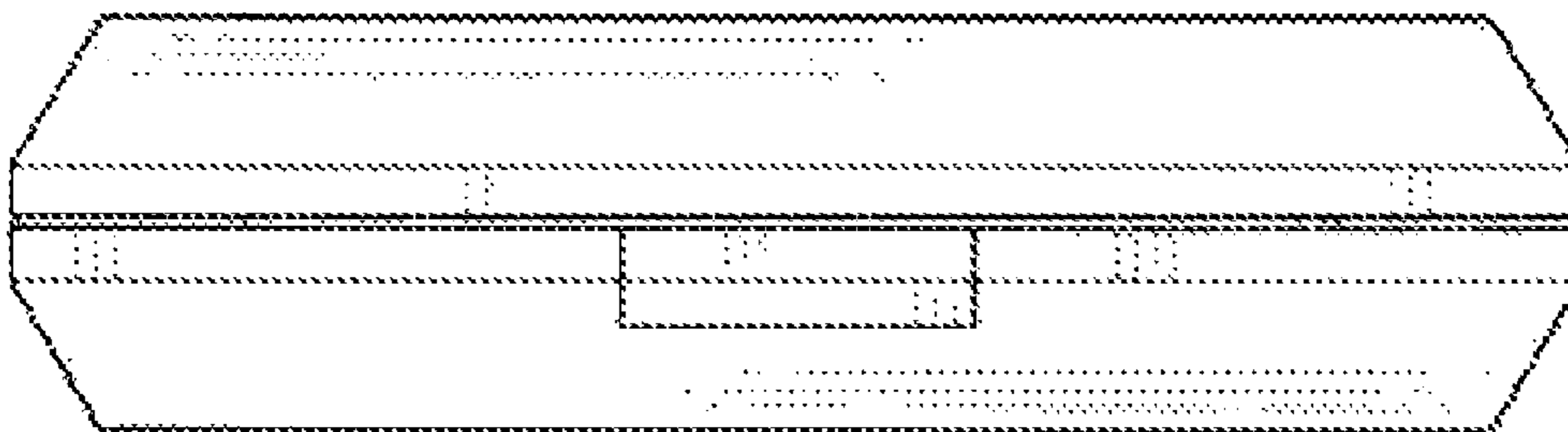


Figure 2

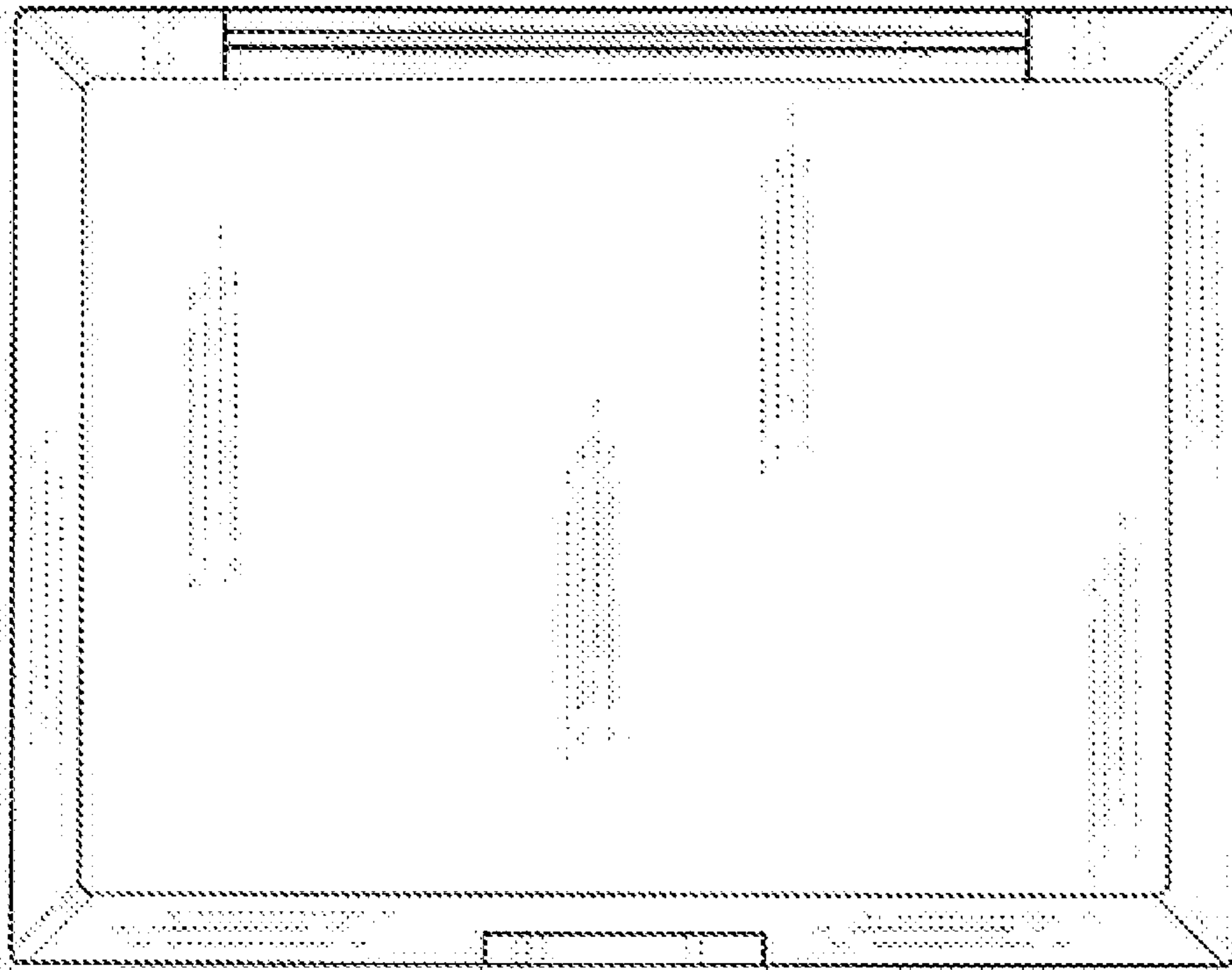


Figure 3

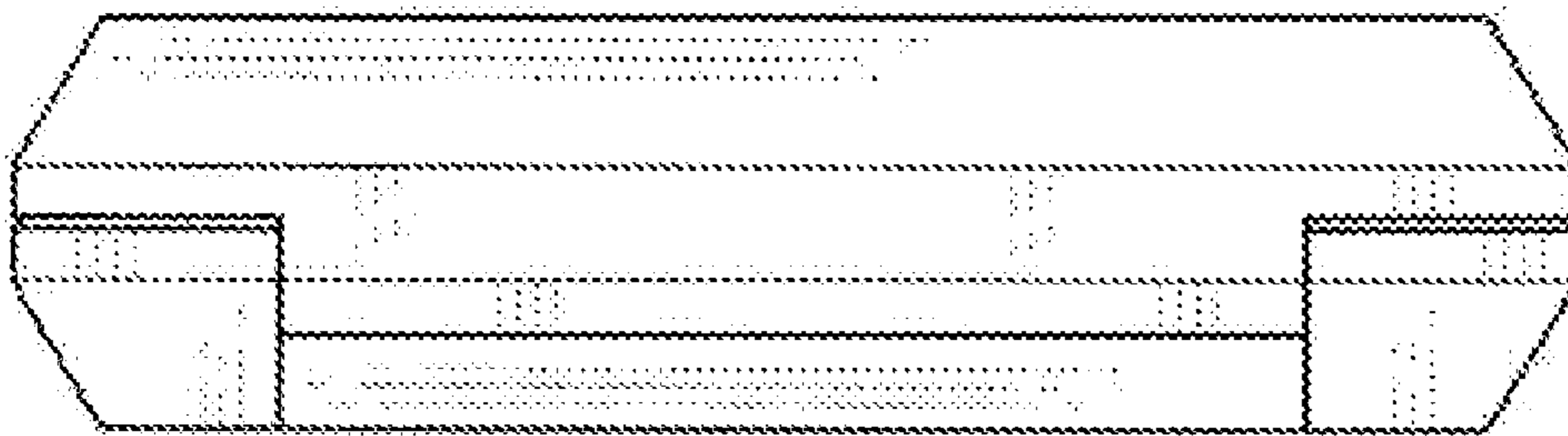


Figure 4

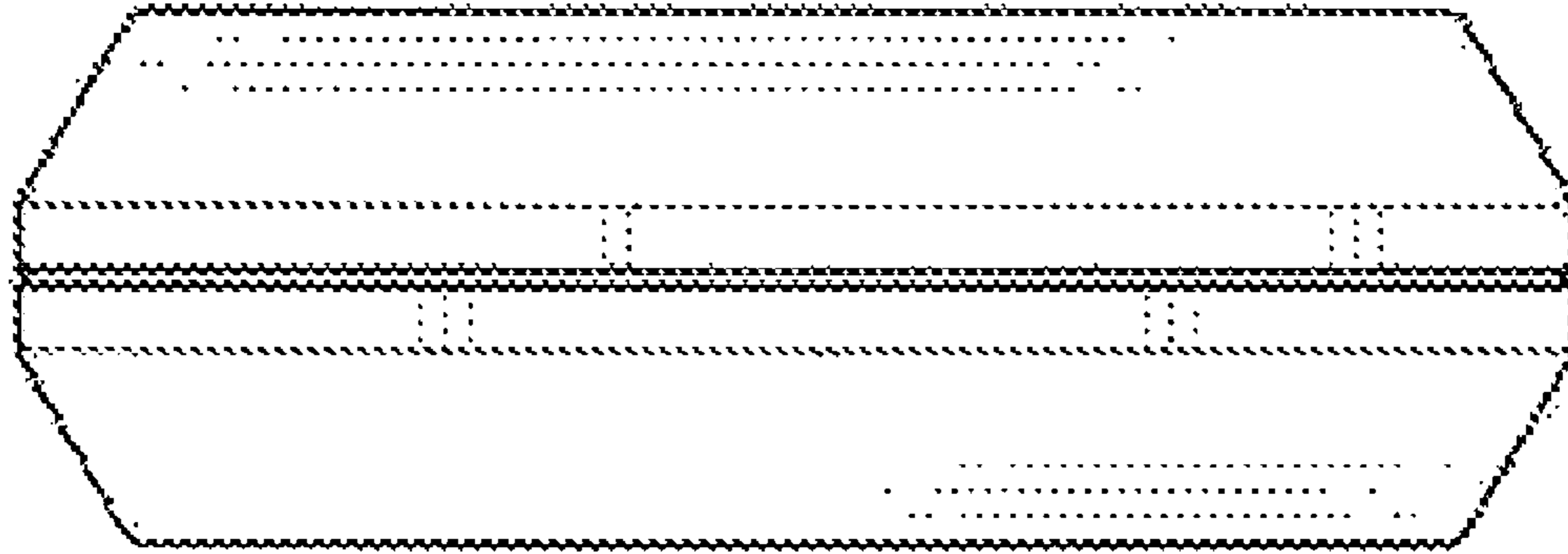


Figure 5

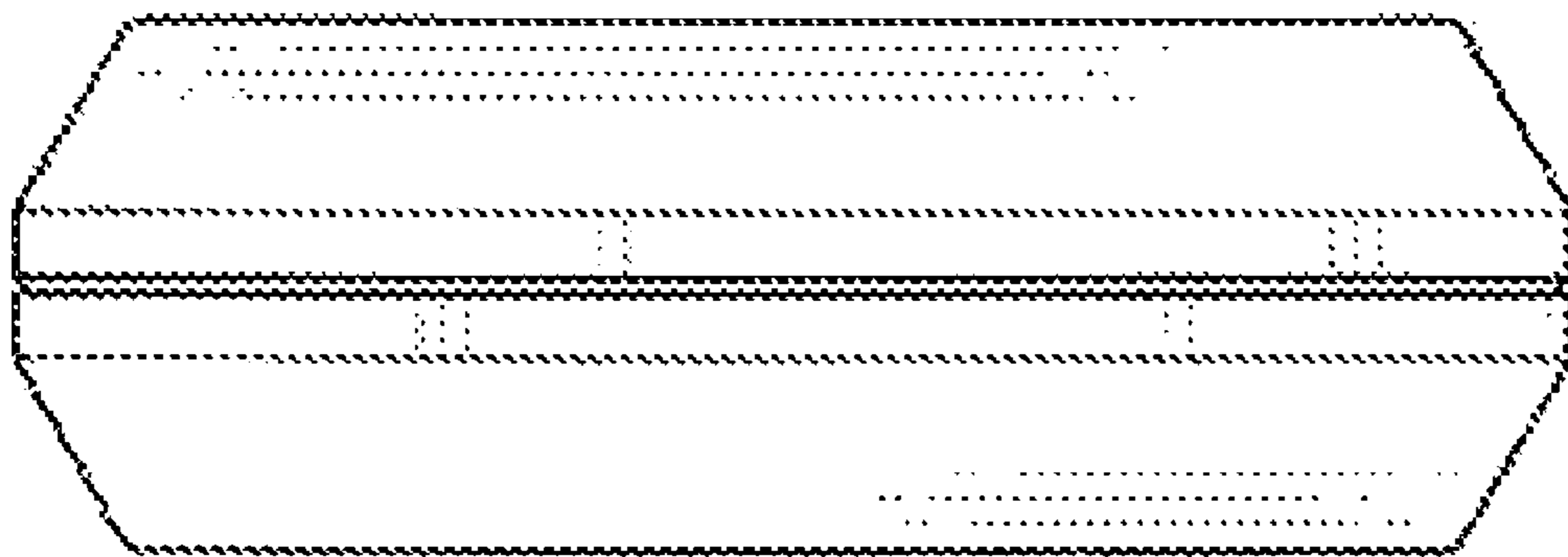


Figure 6

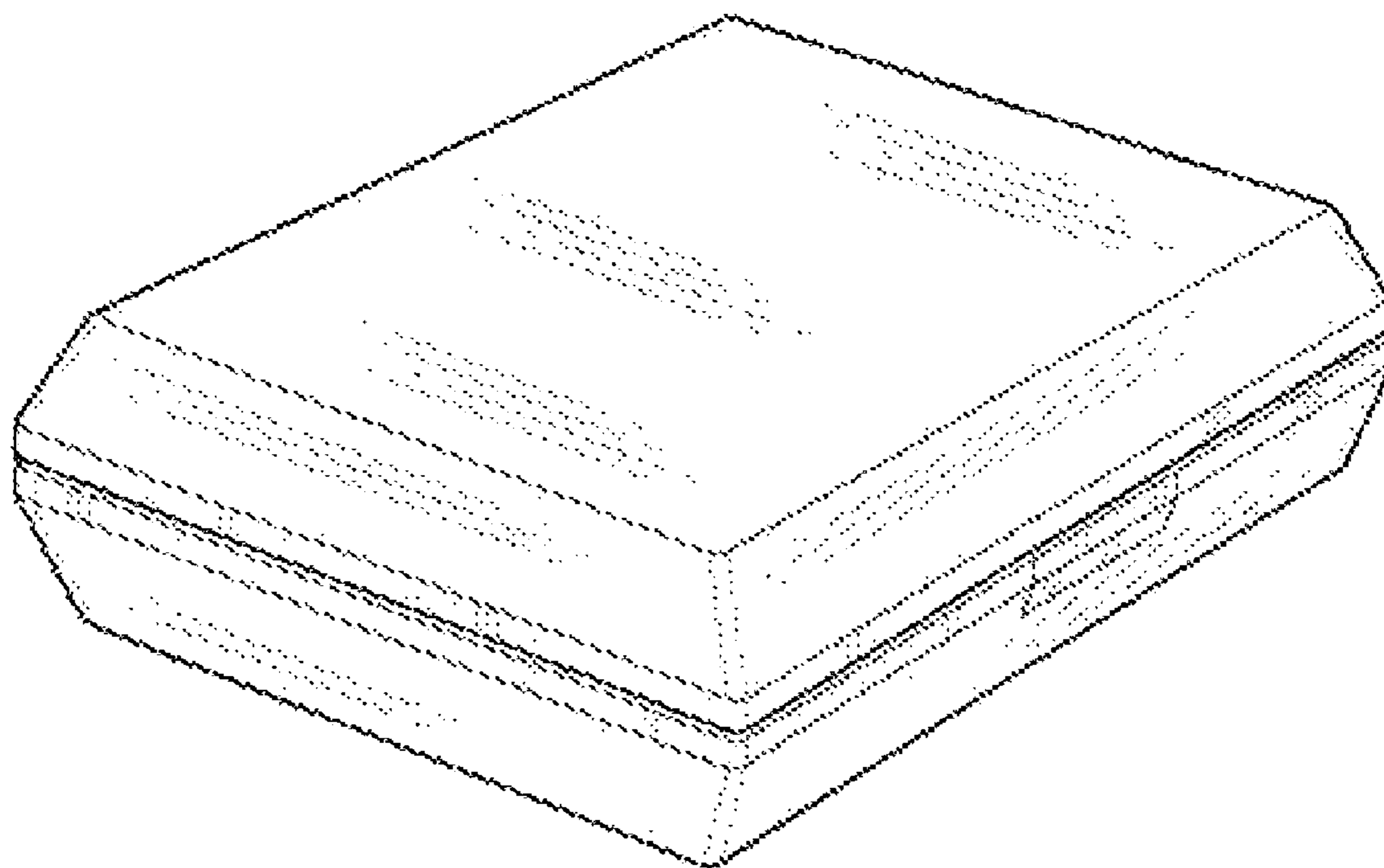


Figure 7

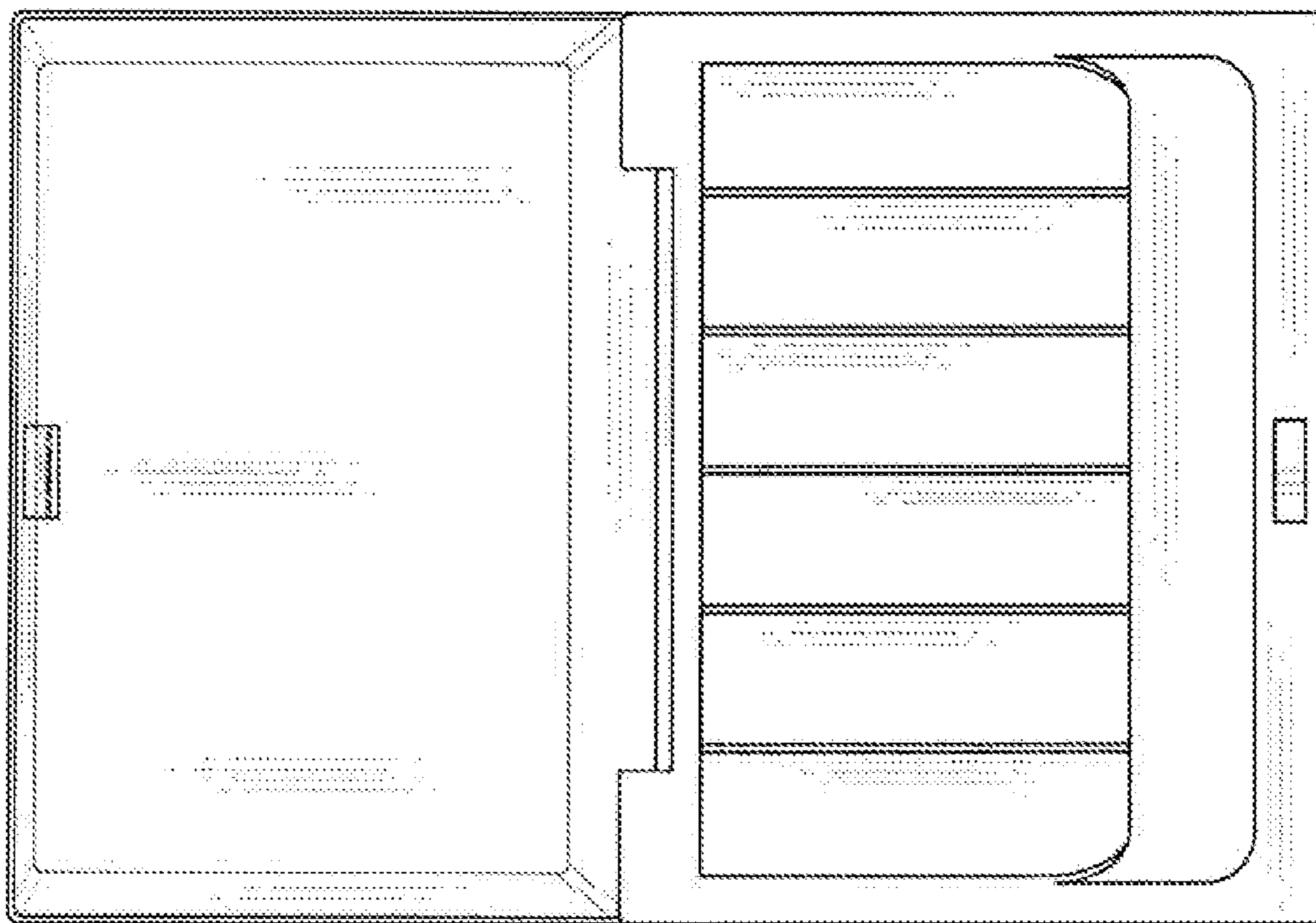


Figure 8

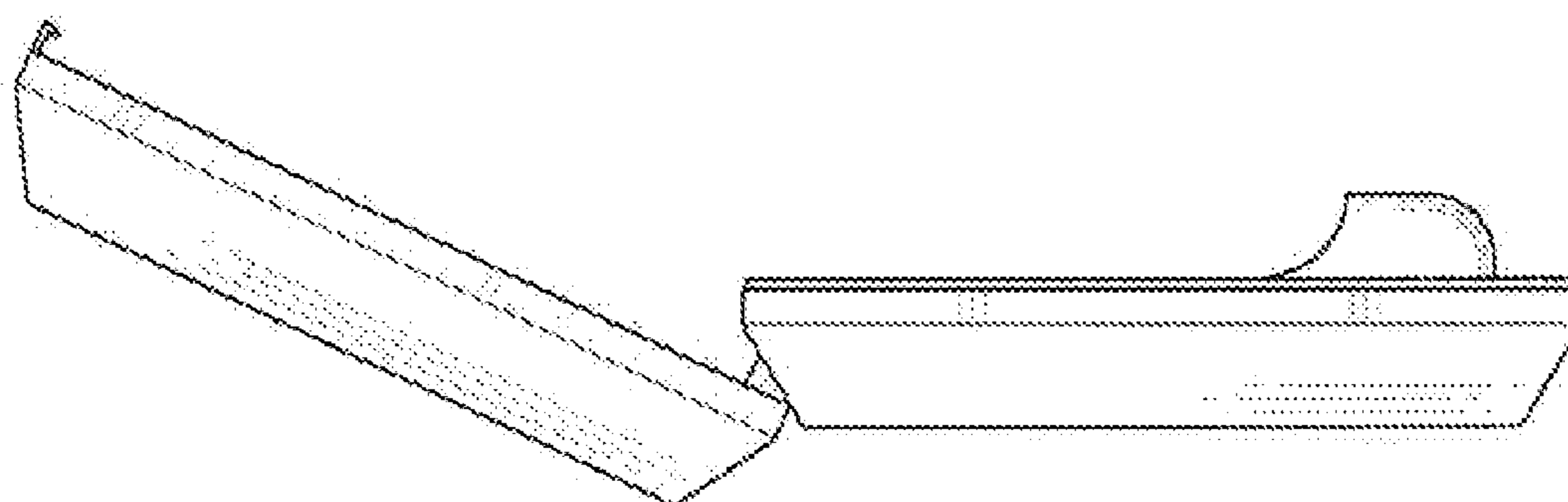


Figure 9

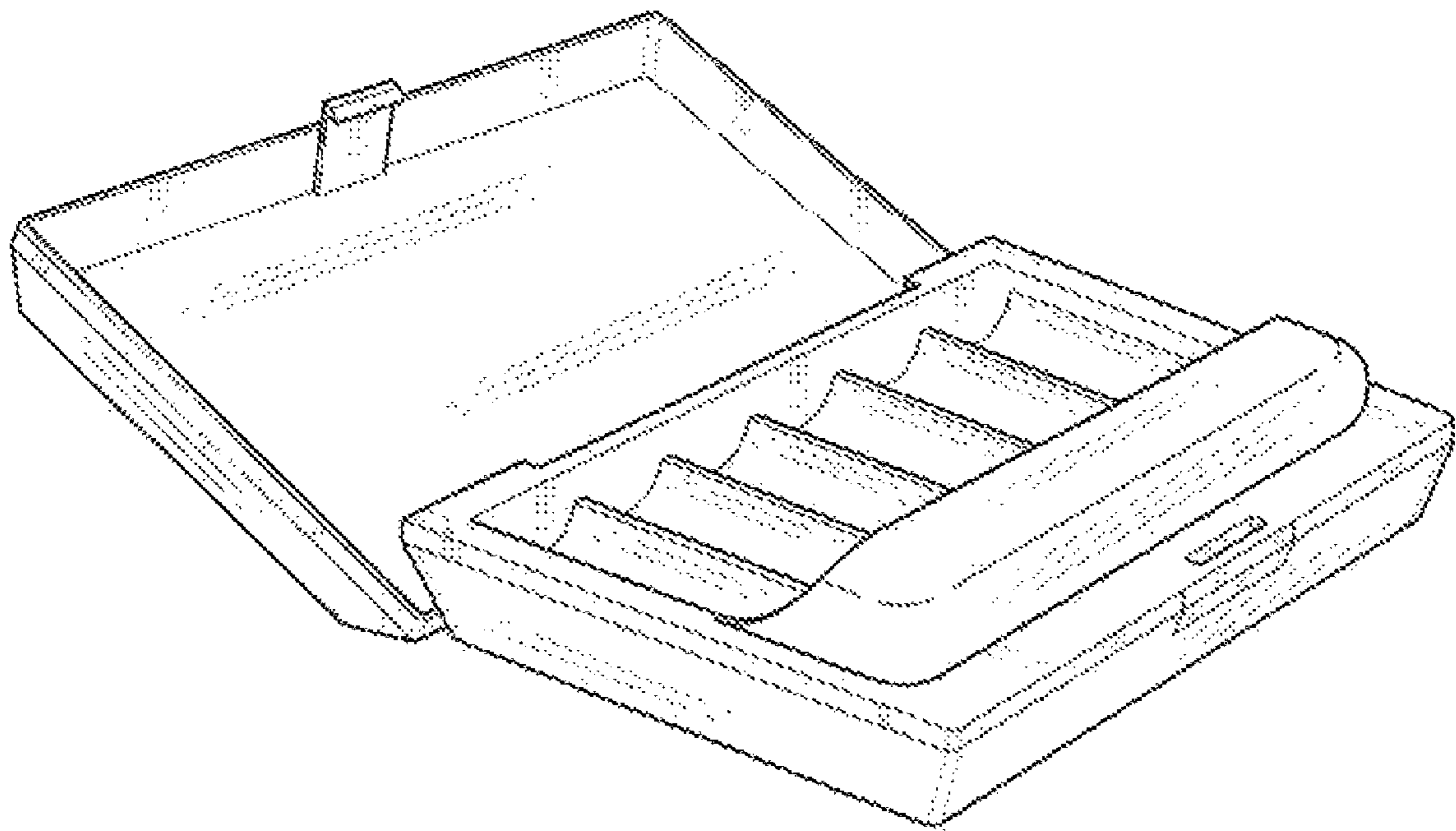


Figure 10