



US00D634504S

(12) **United States Design Patent**
Radaelli

(10) **Patent No.:** **US D634,504 S**
(45) **Date of Patent:** **** Mar. 15, 2011**

(54) **FORKLIFT**

(75) Inventor: **Fabio Marco Radaelli**, Milan (IT)

(73) Assignee: **Om Carrelli Elevatori S.p.A.**, Lainate (IT)

(**) Term: **14 Years**

(21) Appl. No.: **29/309,055**

(22) Filed: **Jun. 16, 2008**

(30) **Foreign Application Priority Data**

- Dec. 14, 2007 (EM) 000843081-0001
- Dec. 14, 2007 (EM) 000843081-0002
- Dec. 14, 2007 (EM) 000843081-0003
- Dec. 14, 2007 (EM) 000843081-0004
- Dec. 14, 2007 (EM) 000843081-0005

(51) **LOC (9) Cl.** **12-05**

(52) **U.S. Cl.** **D34/34**

(58) **Field of Classification Search** D34/34;
180/89.12, 89.14, 89.17; 187/222, 237; 414/529,
414/572, 607, 285

See application file for complete search history.

(56) **References Cited**

U.S. PATENT DOCUMENTS

- D389,982 S * 1/1998 Kim D34/34
- D393,134 S * 3/1998 Mariano D34/34
- D393,516 S * 4/1998 Hahn et al. D34/34
- D395,532 S * 6/1998 Kim D34/34
- D396,928 S * 8/1998 Hahn et al. D34/34
- D412,385 S * 7/1999 Murakami et al. D34/34
- D448,136 S * 9/2001 Yurushi et al. D34/34
- D469,236 S * 1/2003 Mitsuyoshi et al. D34/34
- D470,990 S * 2/2003 Han et al. D34/34
- D471,340 S * 3/2003 Shibata et al. D34/34
- D492,831 S * 7/2004 Kouyama D34/34

- D526,460 S * 8/2006 Goto et al. D34/34
- D557,474 S * 12/2007 Kouyama et al. D34/34
- D565,825 S * 4/2008 Shibata et al. D34/34
- D579,623 S * 10/2008 Kim D34/34
- D587,425 S * 2/2009 Mori et al. D34/34
- D594,172 S * 6/2009 Shibata et al. D34/34
- D594,173 S * 6/2009 Shibata et al. D34/34
- D601,325 S * 9/2009 Tanaka et al. D34/34
- D611,220 S * 3/2010 Mori et al. D34/34

* cited by examiner

Primary Examiner — Cynthia E Ramirez

(74) *Attorney, Agent, or Firm* — Millen, White, Zelano & Branigan, P.C.

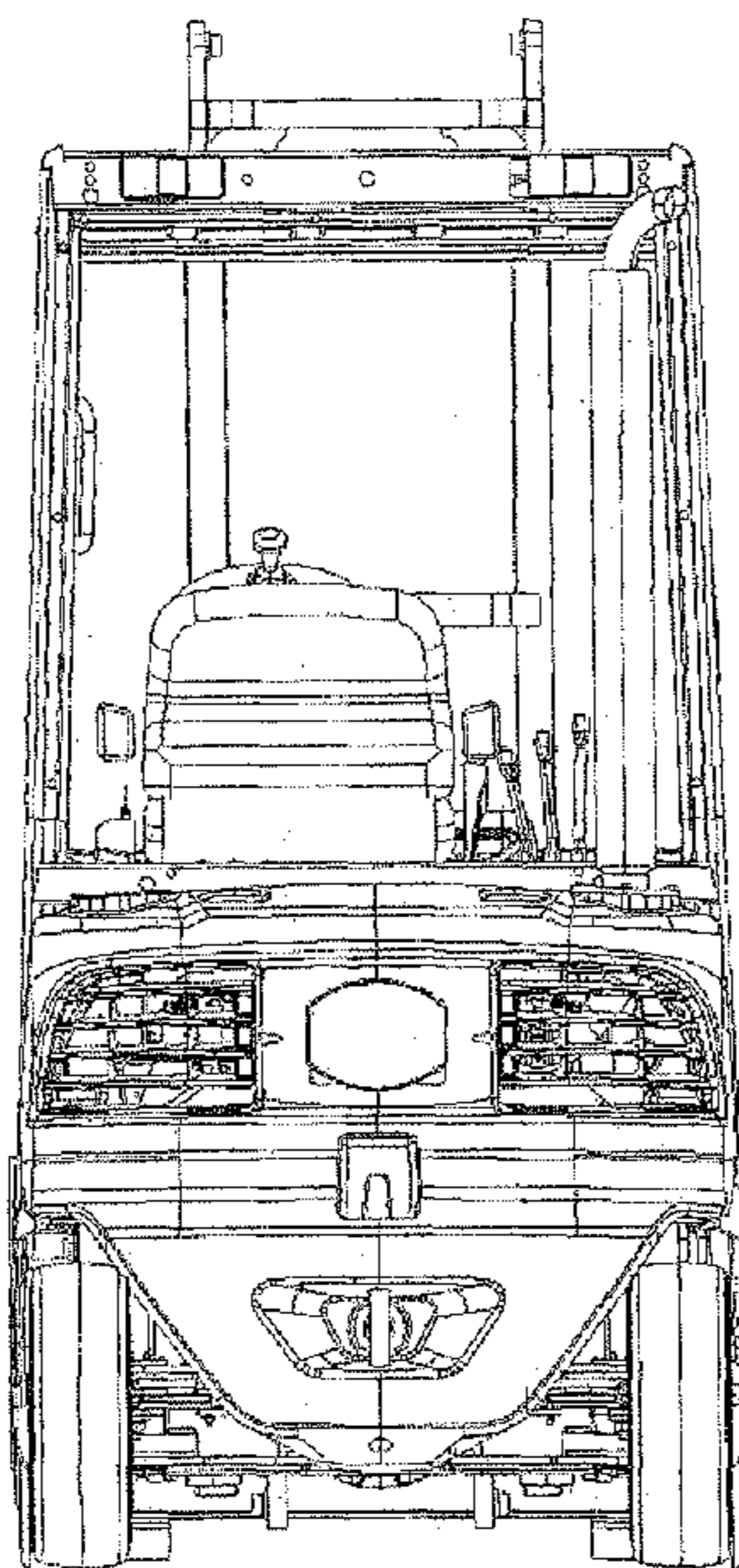
(57) **CLAIM**

The ornamental design for a forklift, as shown and described.

DESCRIPTION

FIG. 1 is a rear view of a first embodiment of a forklift showing my new design;
 FIG. 2 is a front view thereof;
 FIG. 3 is a side view thereof;
 FIG. 4 is the other side view thereof;
 FIG. 5 is a top view thereof;
 FIG. 6 is a perspective view thereof;
 FIG. 7 is a rear view of a second embodiment of a forklift;
 FIG. 8 is a front view thereof;
 FIG. 9 is a side view thereof;
 FIG. 10 is the other side view thereof;
 FIG. 11 is a top view thereof;
 FIG. 12 is a perspective view thereof;
 FIG. 13 is a rear view of a third embodiment of a forklift;
 FIG. 14 is a front view thereof;
 FIG. 15 is a side view thereof;
 FIG. 16 is the other side view thereof;
 FIG. 17 is a top view thereof; and,
 FIG. 18 is a perspective view thereof.

1 Claim, 18 Drawing Sheets



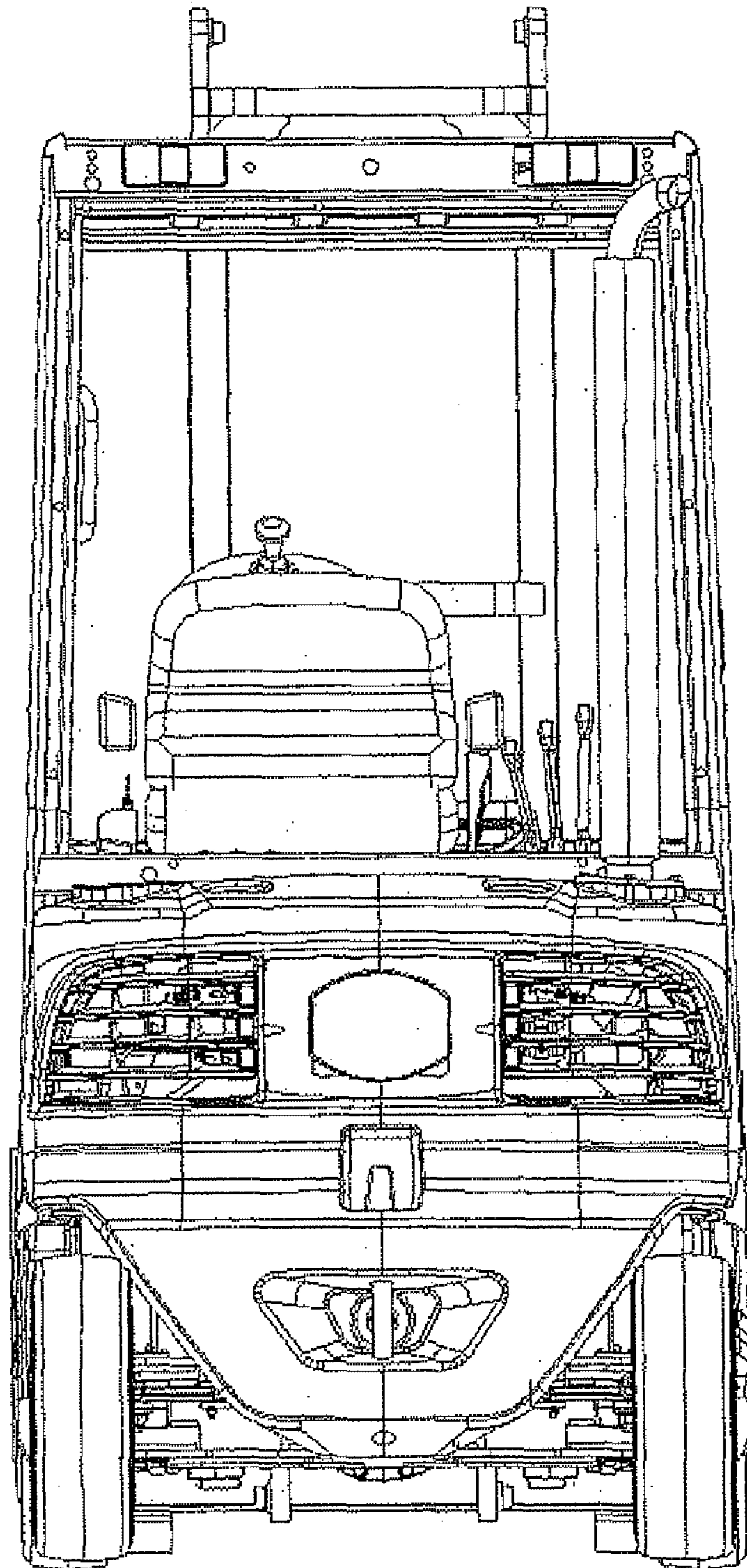


FIG. 1

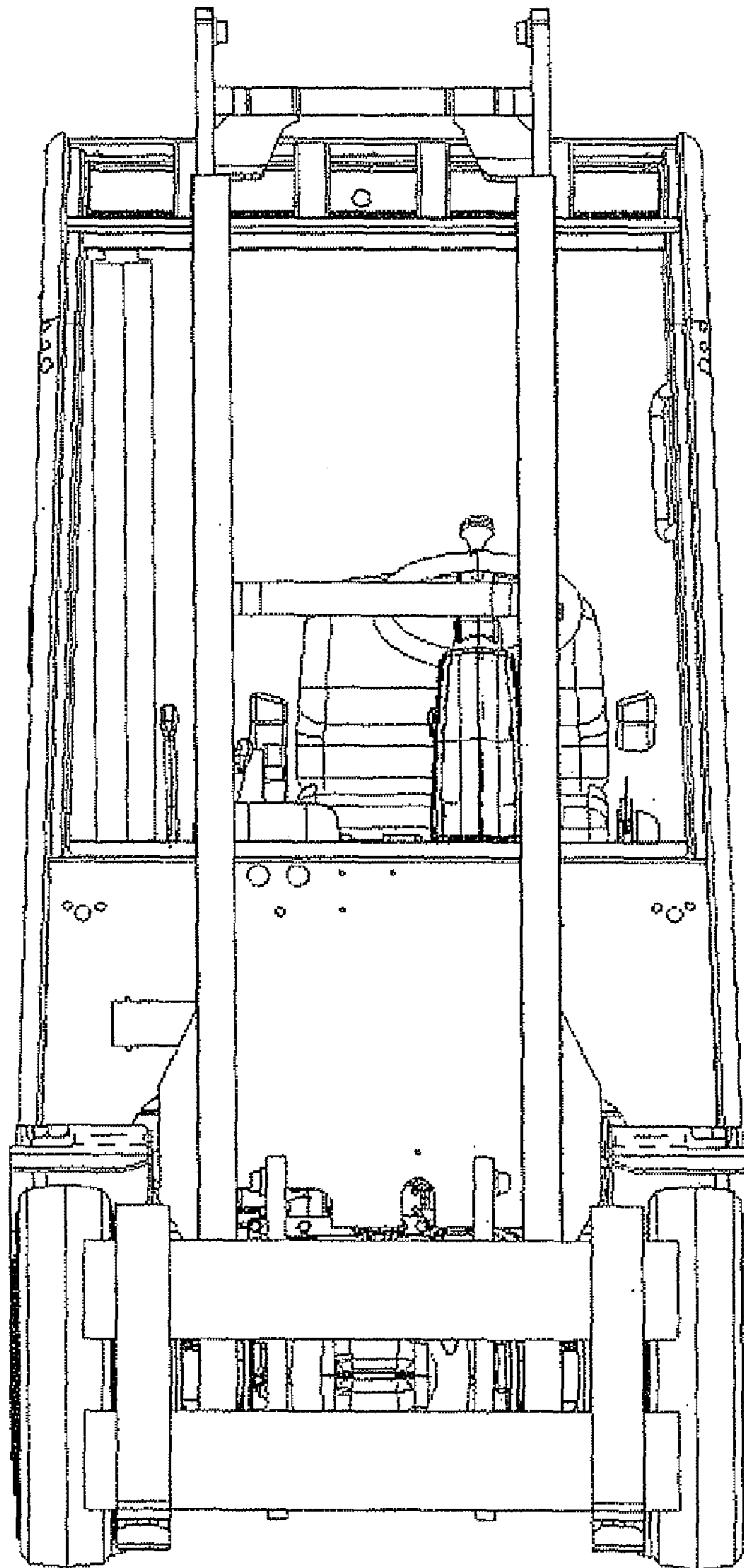


FIG. 2

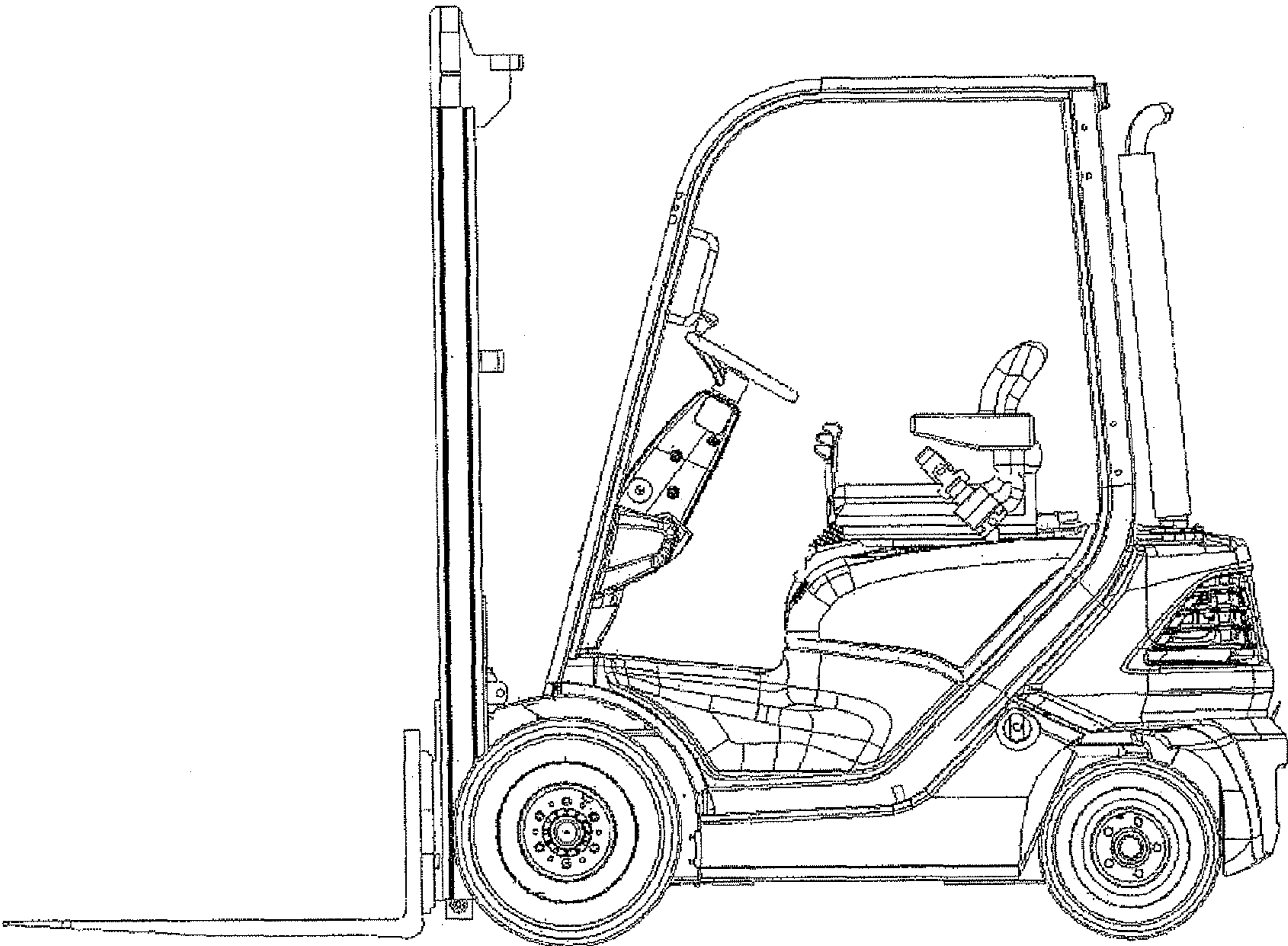


FIG. 3

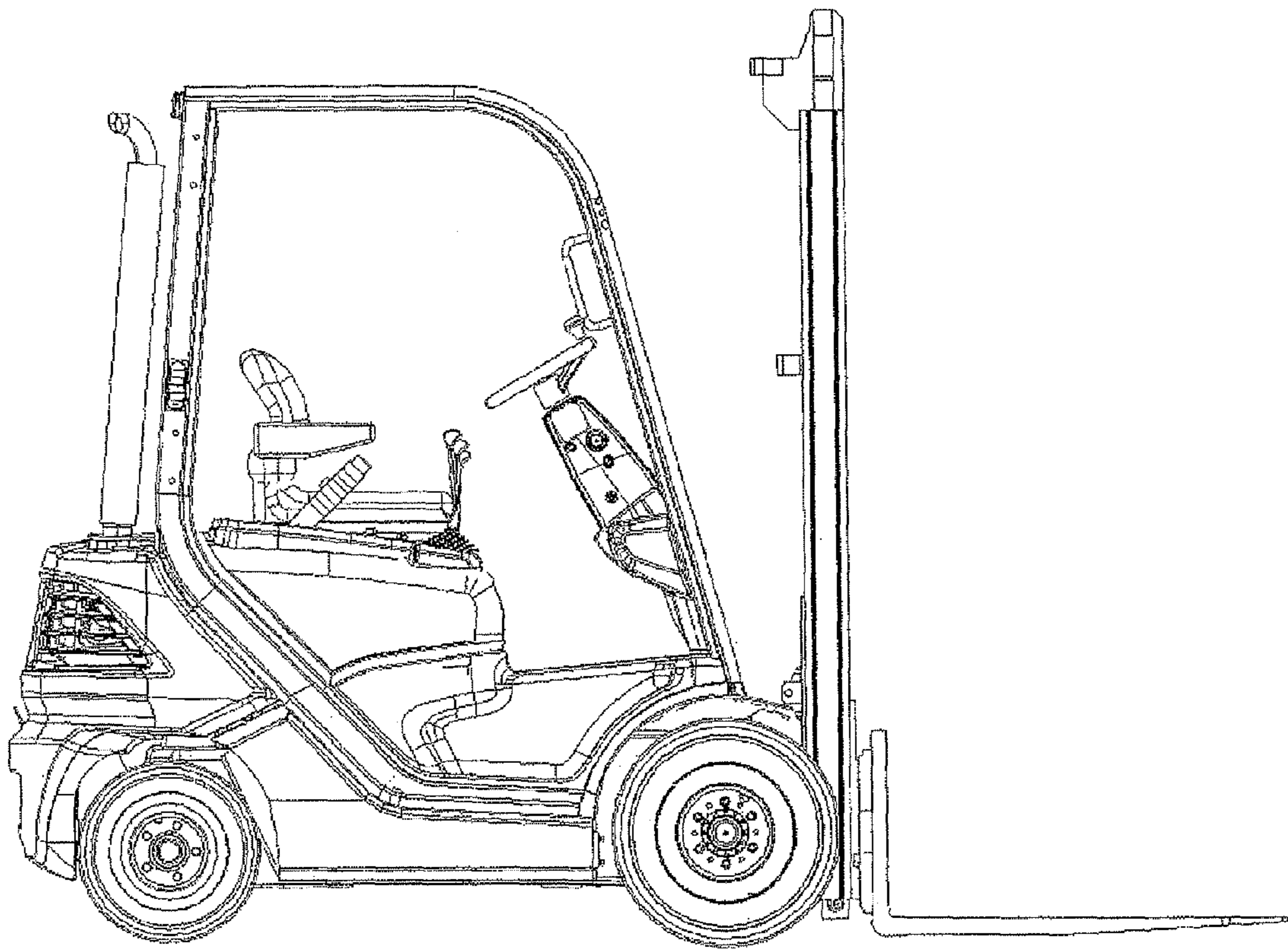


FIG. 4

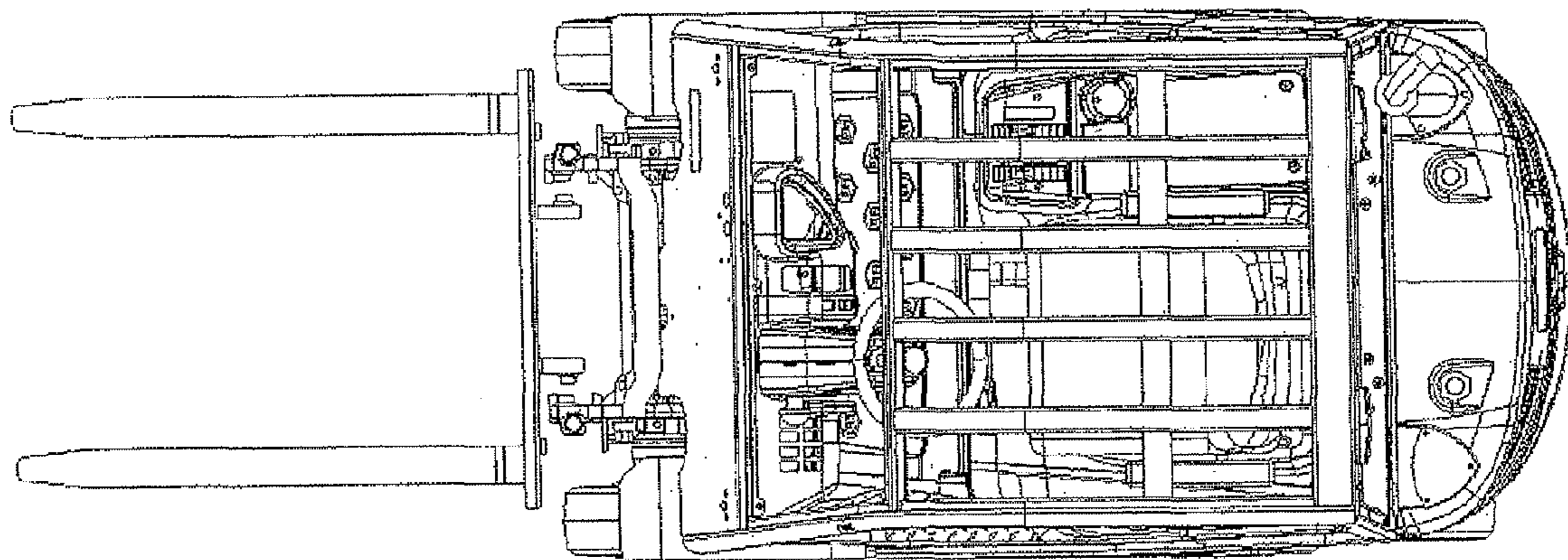


FIG. 5

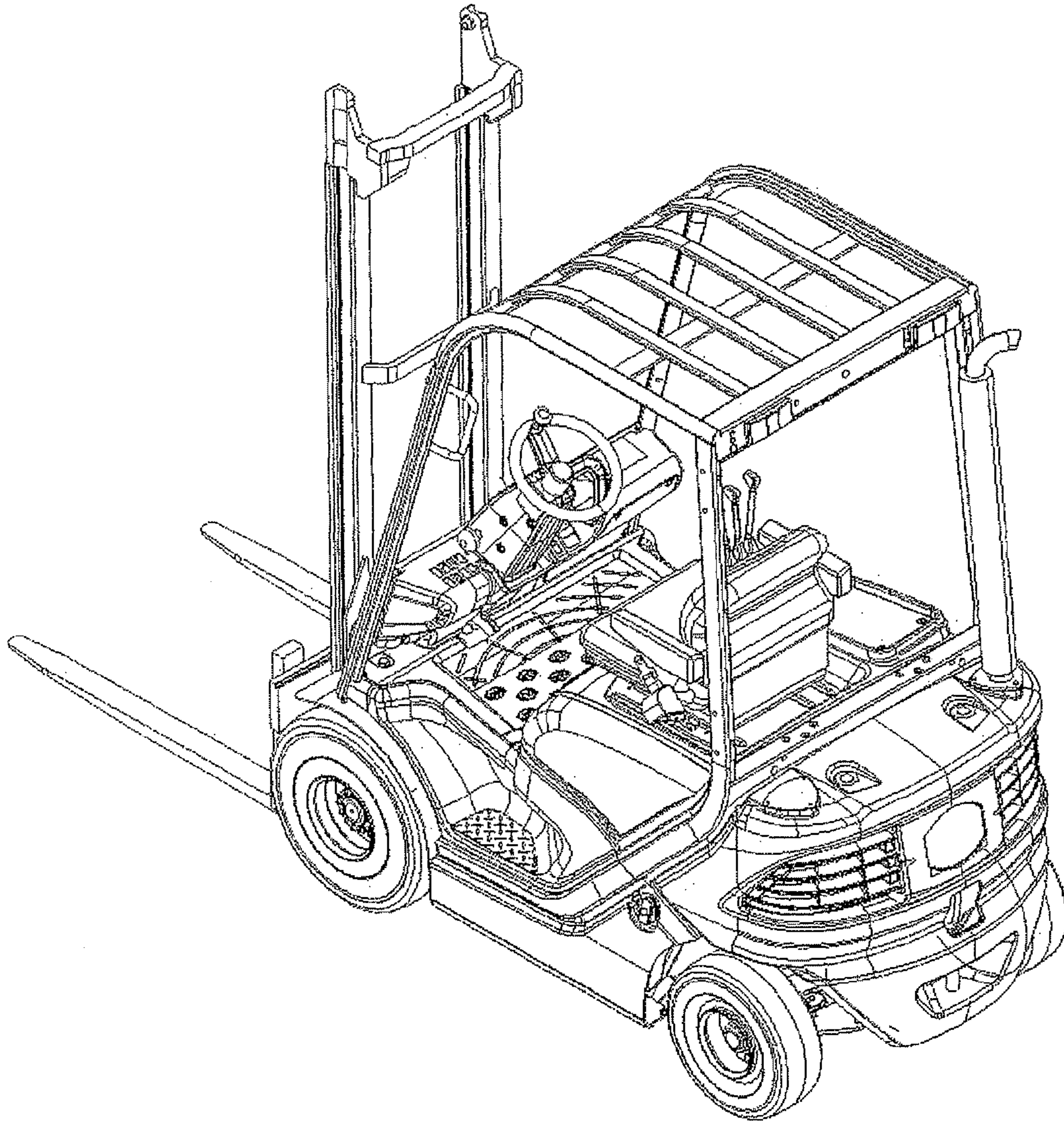


FIG. 6

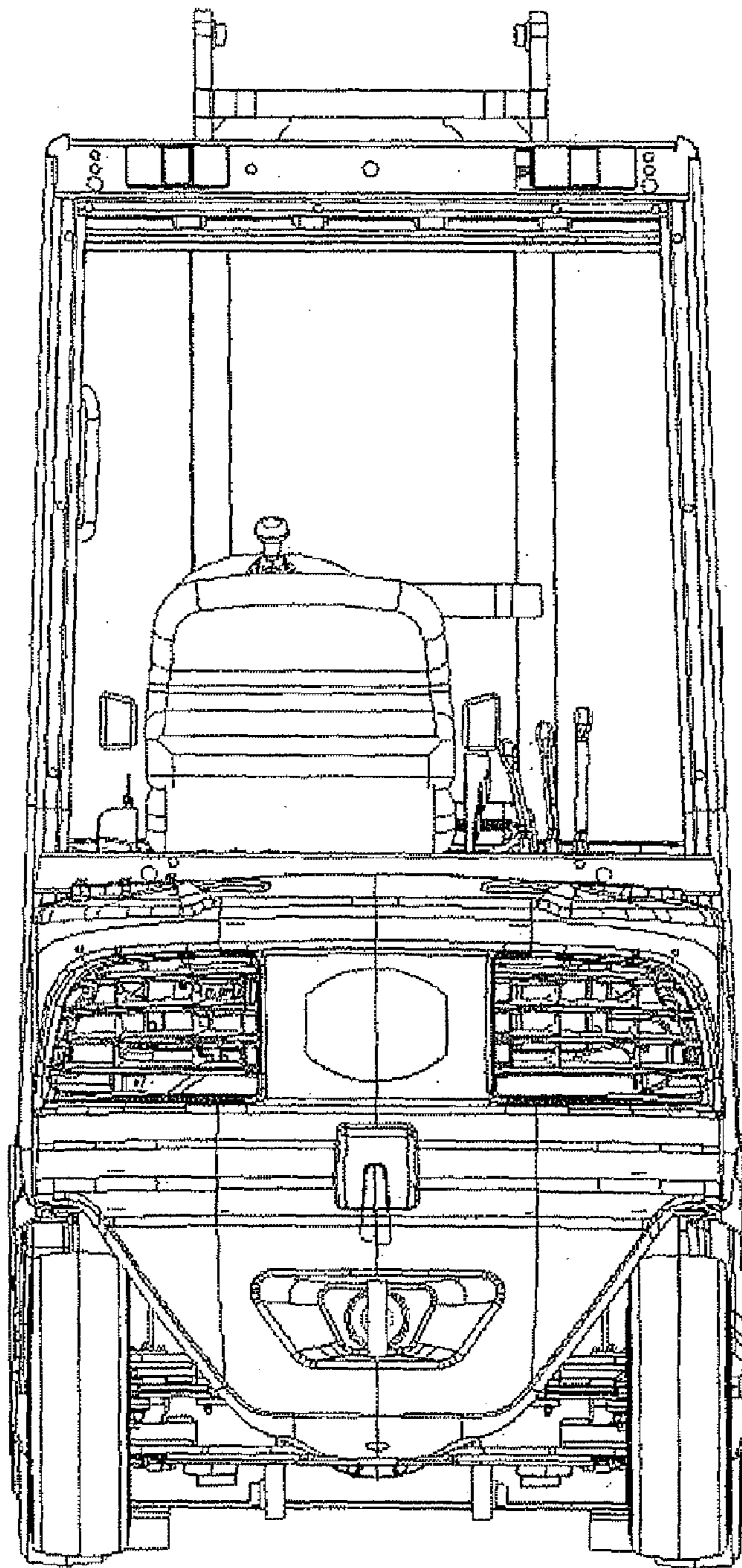


FIG. 7

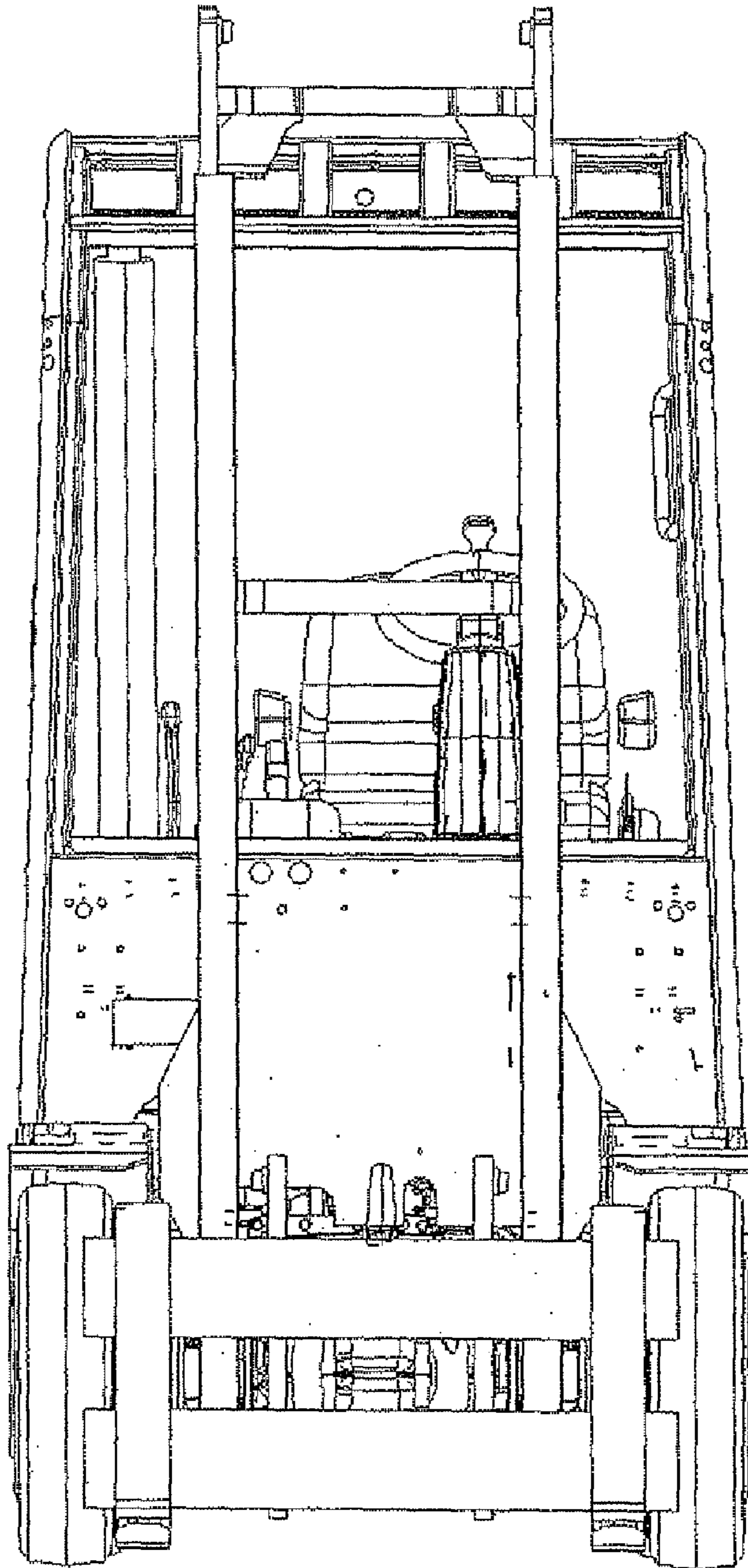


FIG. 8

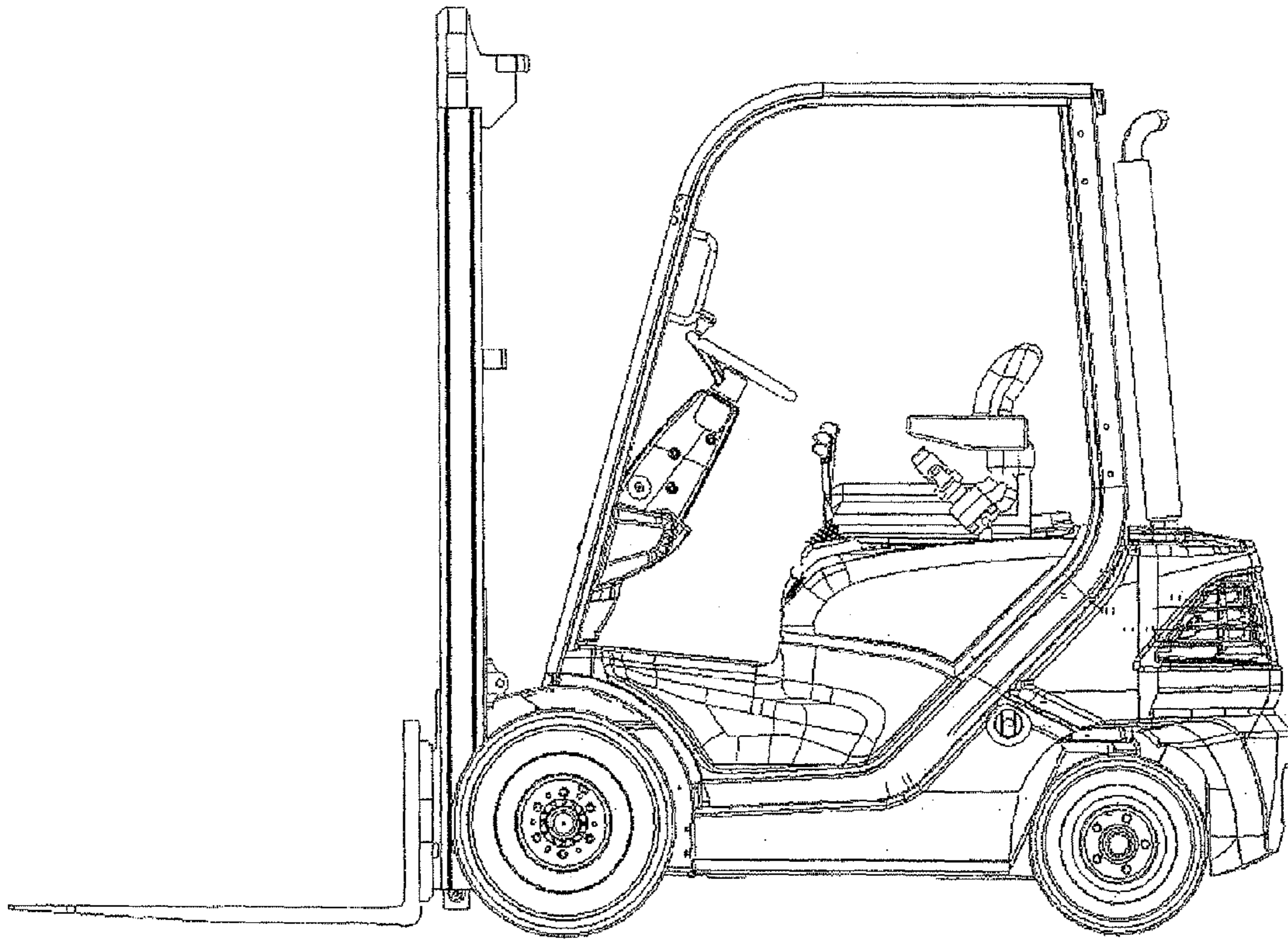


FIG. 9

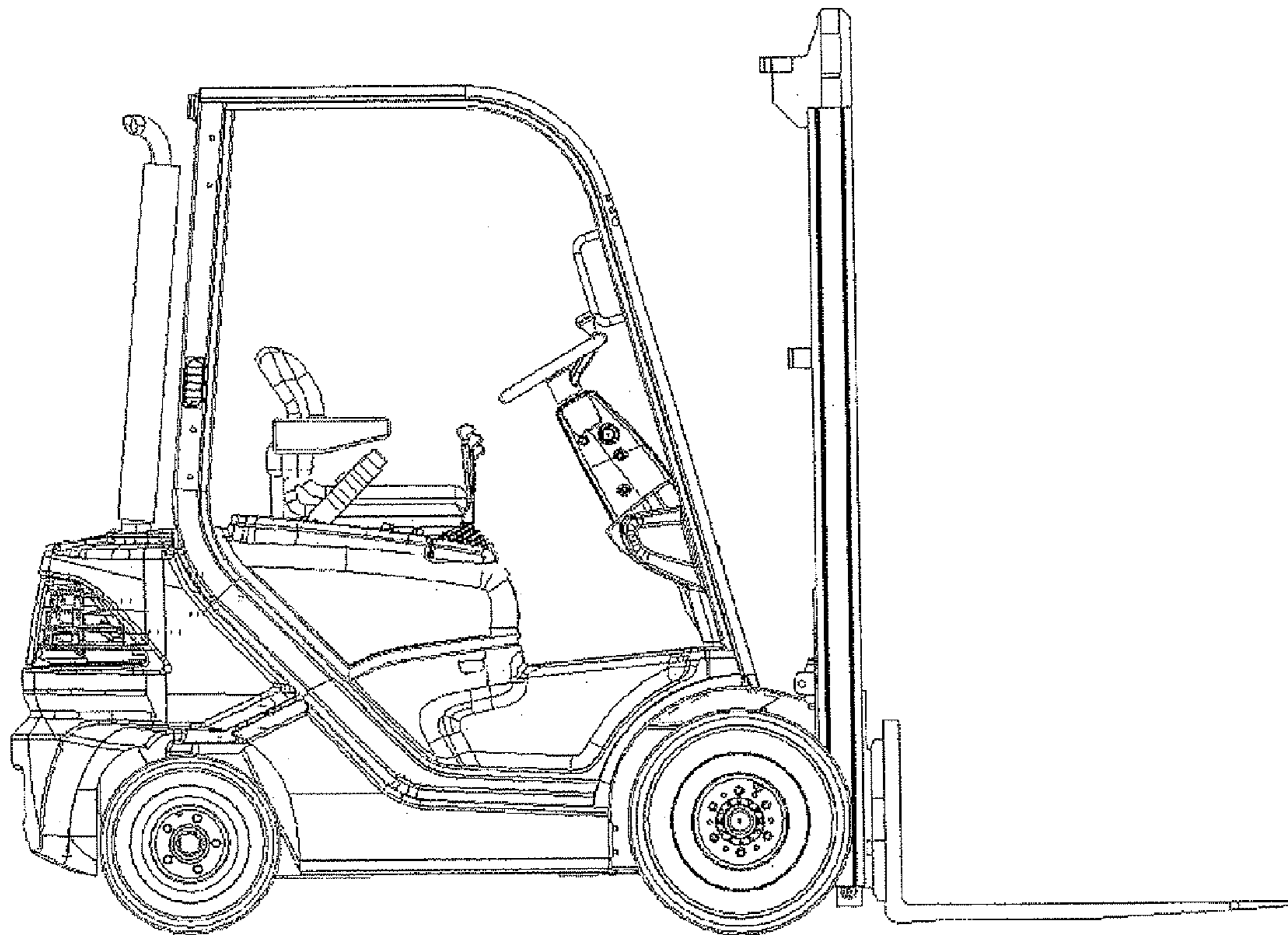


FIG. 10

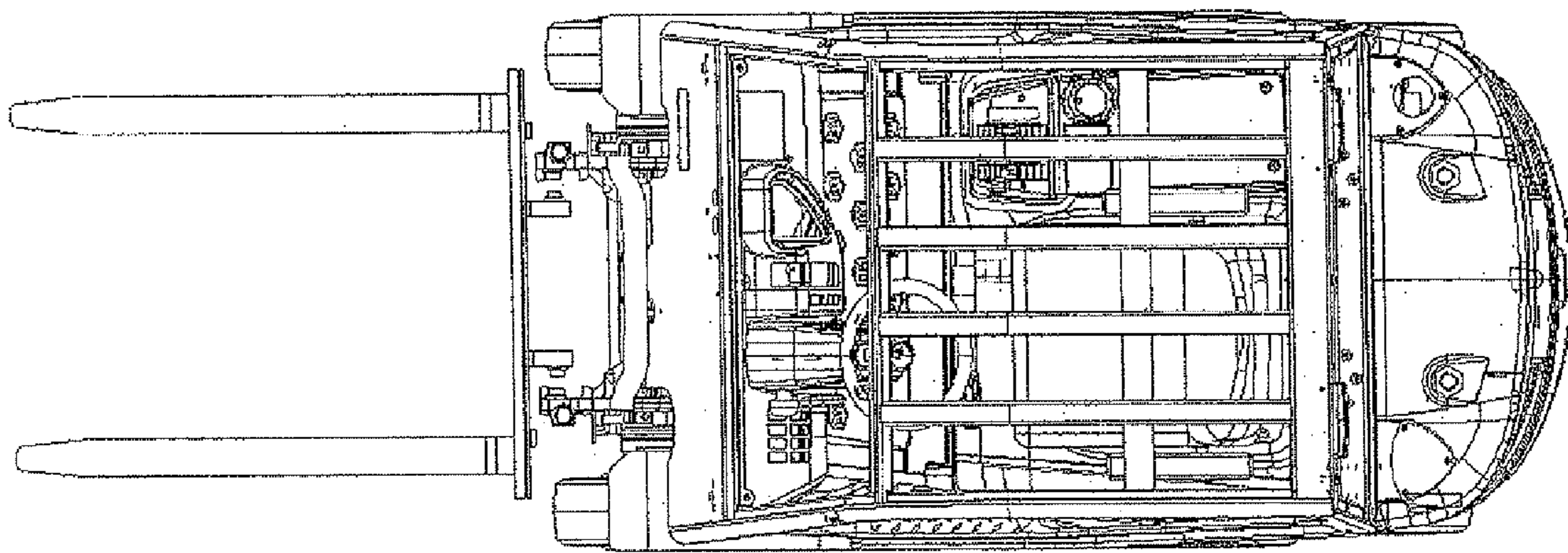


FIG. 11

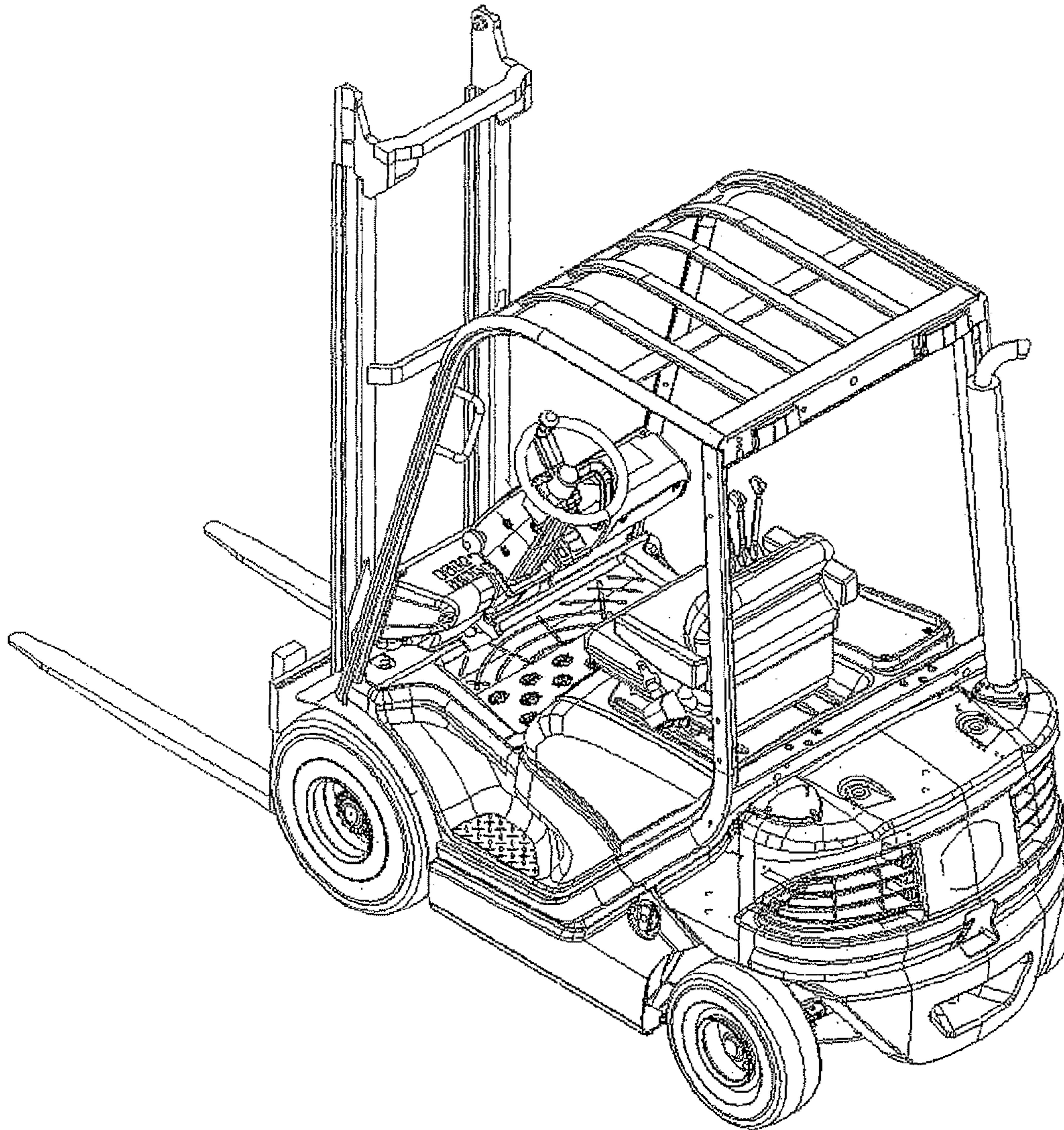


FIG. 12

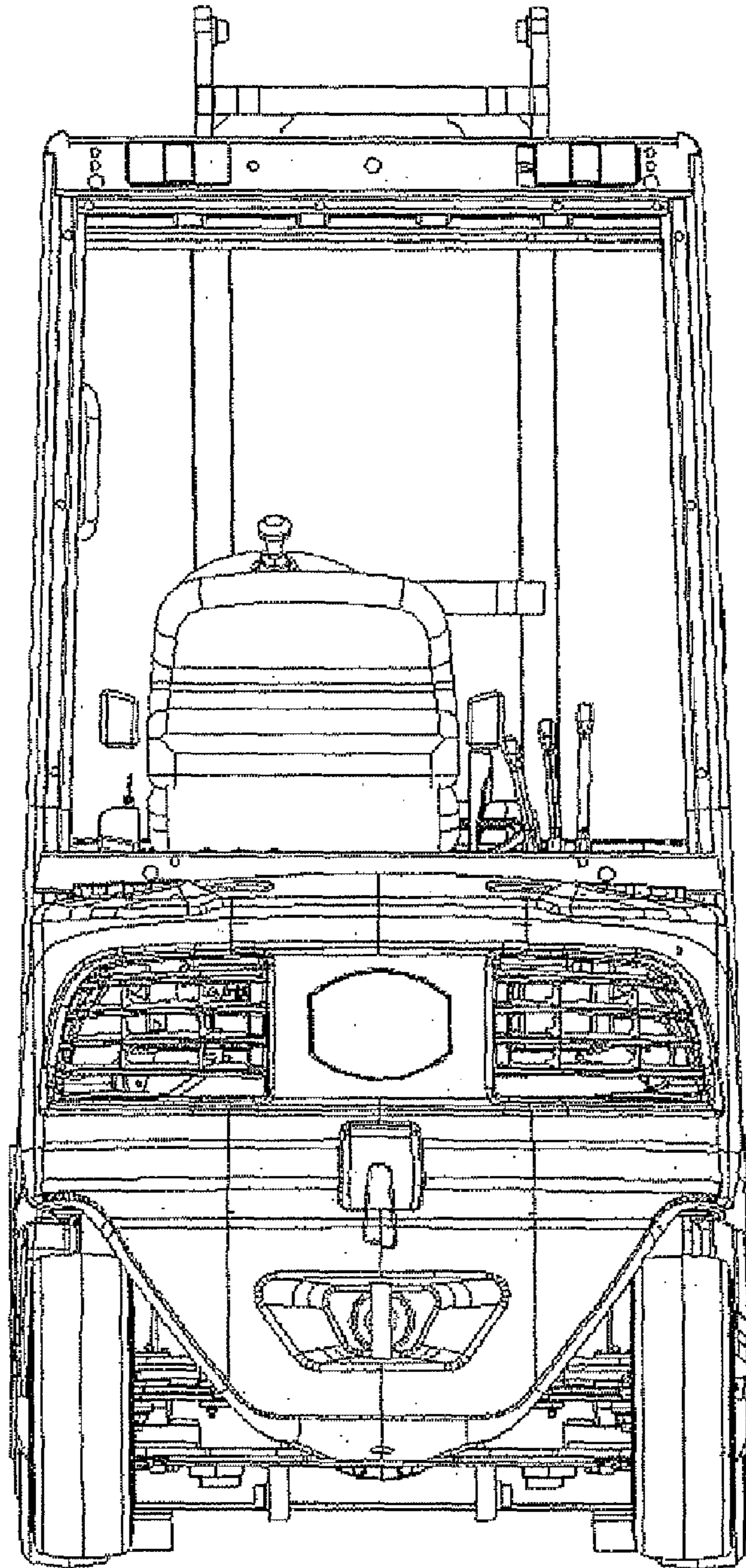


FIG. 13

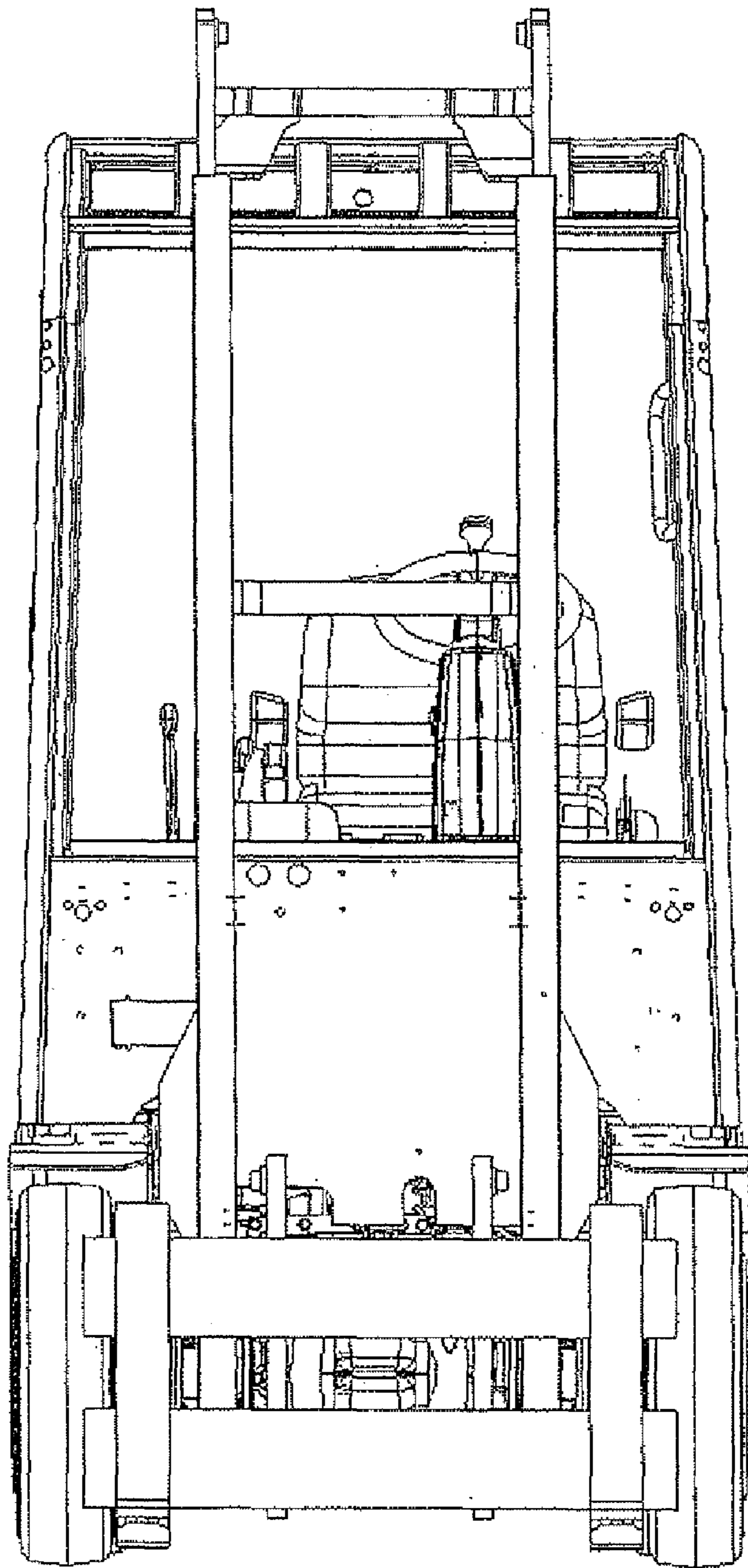


FIG. 14

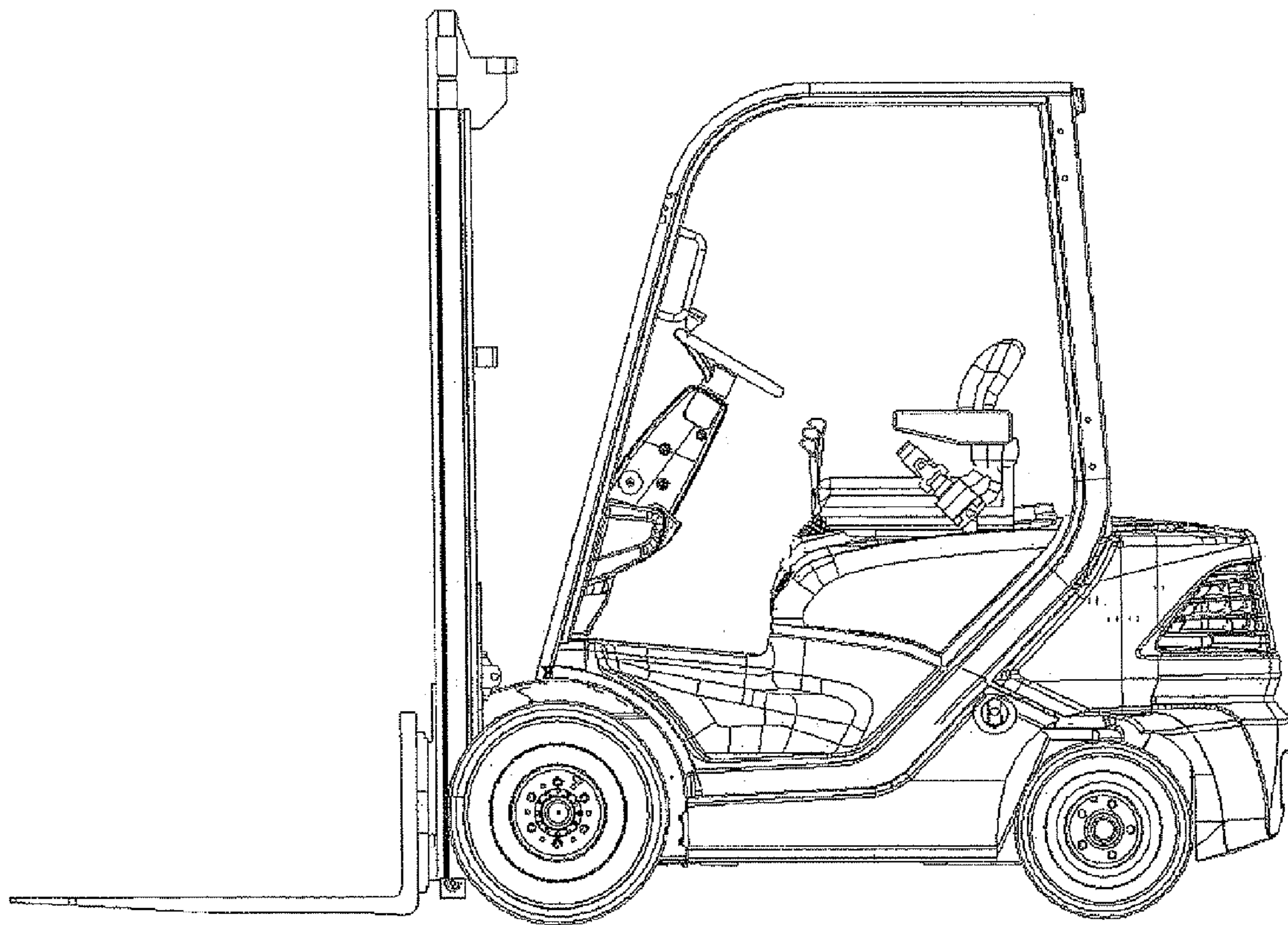


FIG. 15

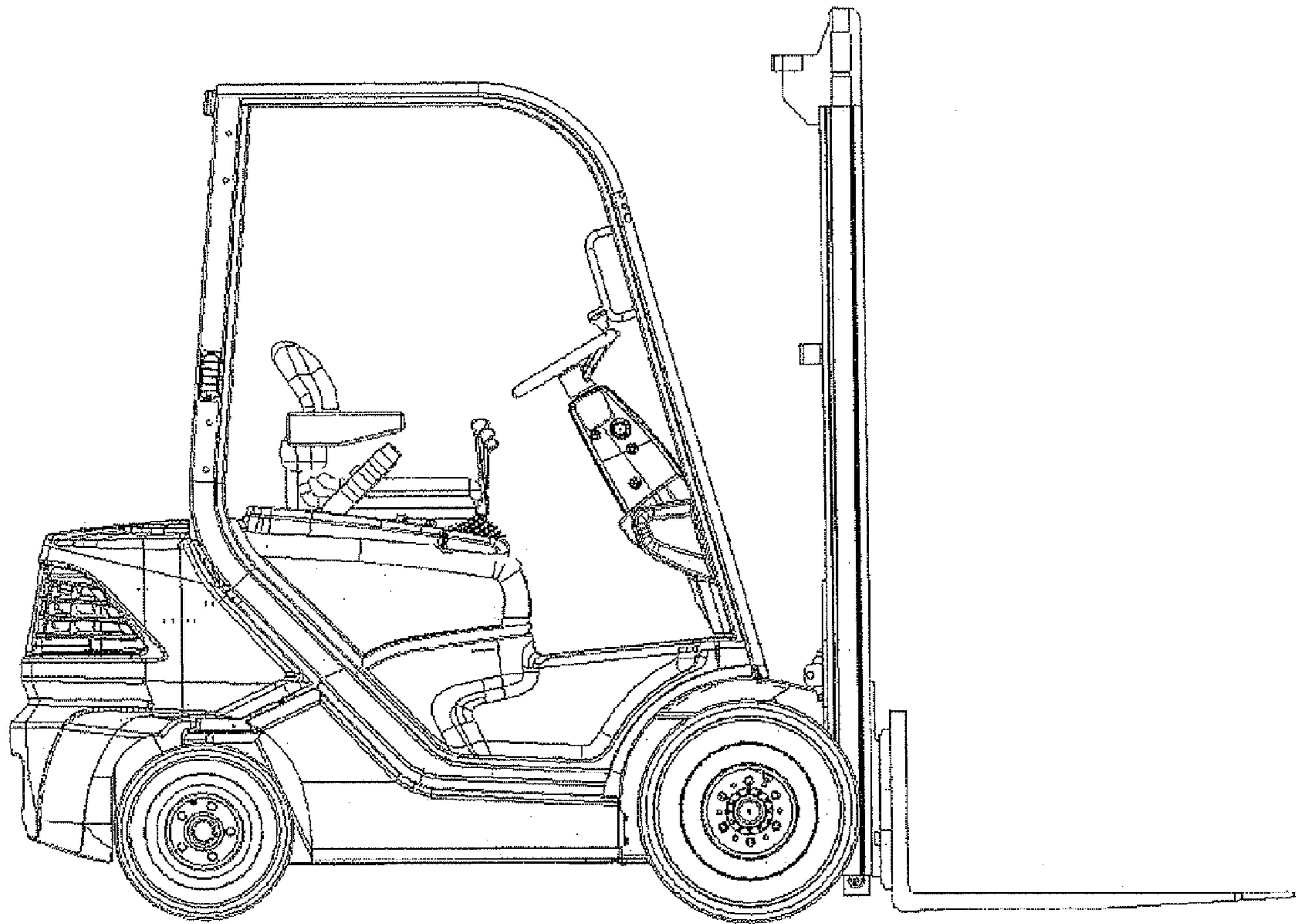


FIG. 16

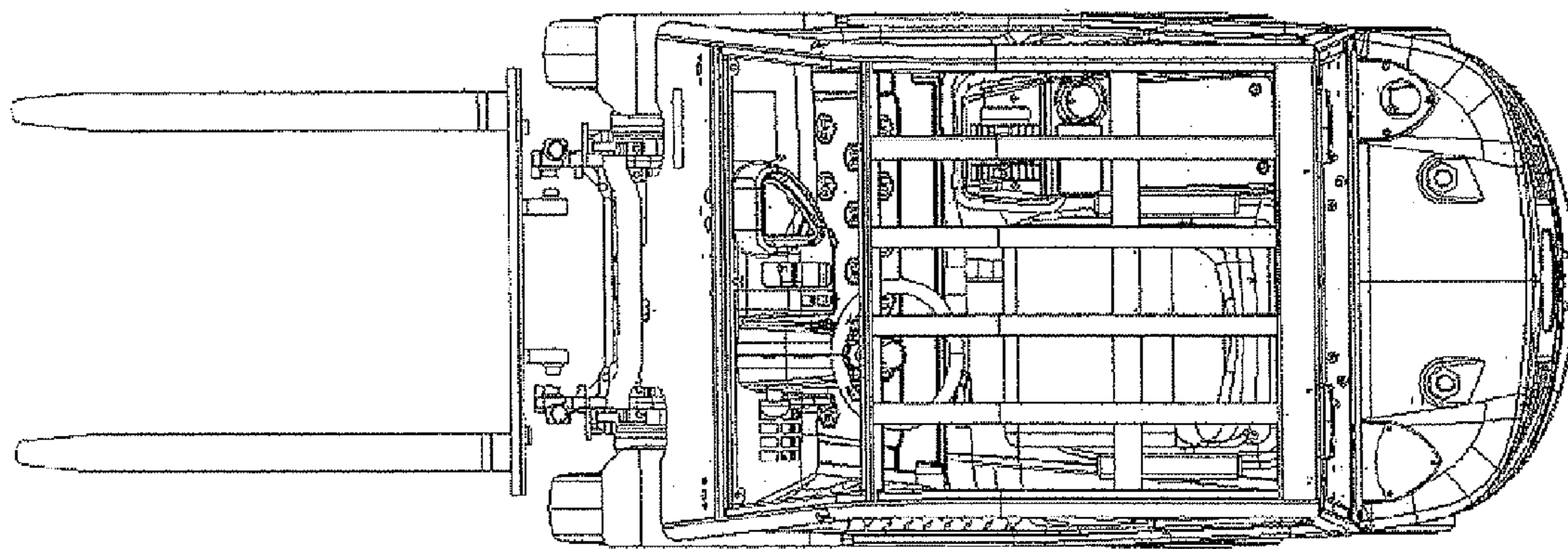


FIG. 17

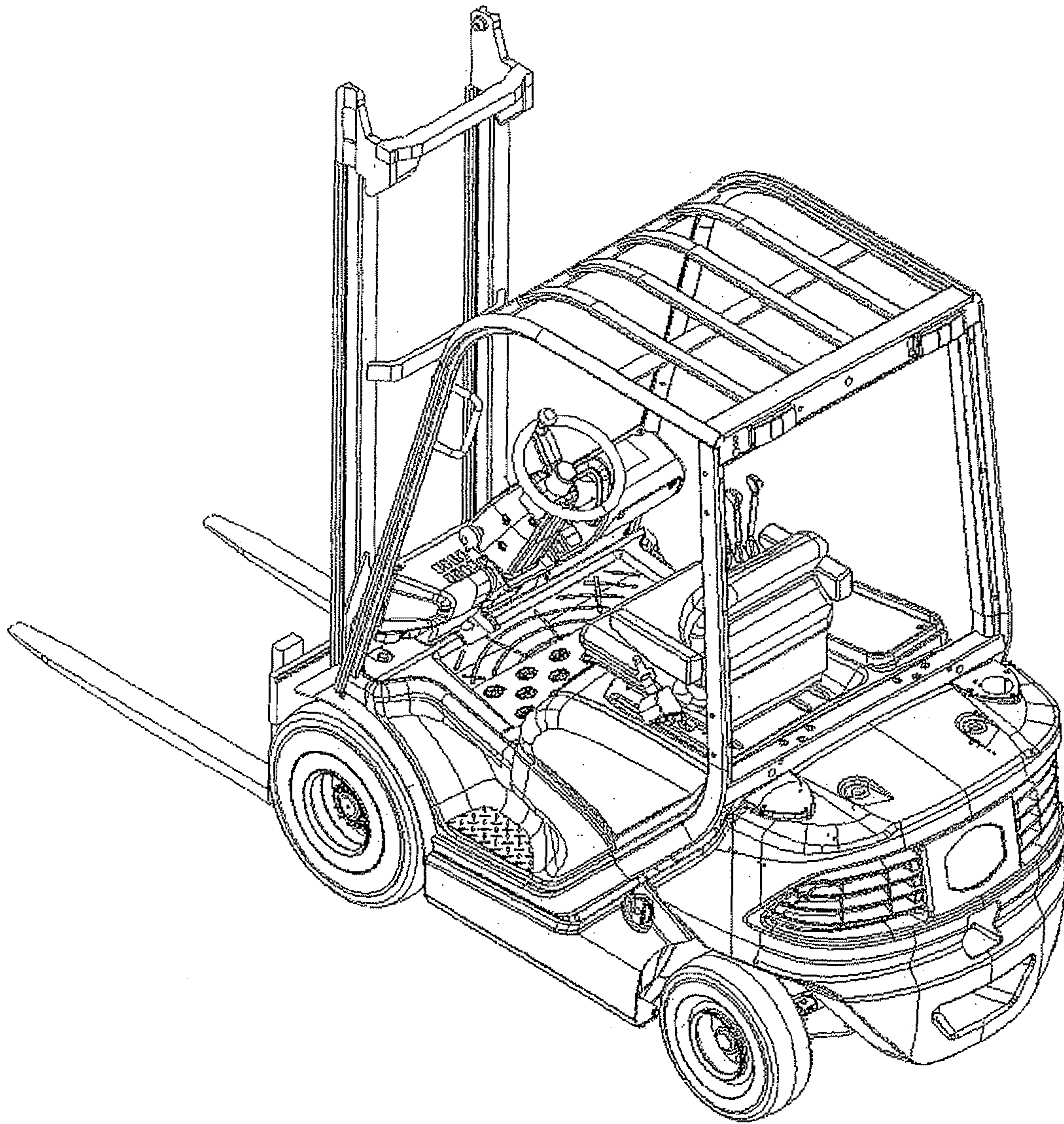


FIG. 18