



US00D634503S

(12) **United States Design Patent**  
**Asfeld**

(10) **Patent No.:** **US D634,503 S**  
(45) **Date of Patent:** **\*\* Mar. 15, 2011**

(54) **SNOWMOBILE LOADER**

(76) Inventor: **Robert P. Asfeld**, Beardsley, MN (US)

(\*\*) Term: **14 Years**

(21) Appl. No.: **29/377,371**

(22) Filed: **Oct. 20, 2010**

**Related U.S. Application Data**

(63) Continuation of application No. 12/538,527, filed on Aug. 10, 2009, which is a continuation of application No. 11/074,592, filed on Mar. 8, 2005, now abandoned.

(51) **LOC (9) Cl.** ..... **12-05**

(52) **U.S. Cl.** ..... **D34/32; D34/28**

(58) **Field of Classification Search** ..... D34/28,  
D34/32; 414/426, 429; 280/79.7, 79.11,  
280/79.3, 43.24

See application file for complete search history.

(56) **References Cited**

**U.S. PATENT DOCUMENTS**

|           |     |         |                 |       |         |
|-----------|-----|---------|-----------------|-------|---------|
| 1,004,114 | A * | 9/1911  | Verplanck       | ..... | 104/44  |
| 3,687,314 | A   | 8/1972  | Haugland        |       |         |
| 3,726,423 | A   | 4/1973  | Miron           |       |         |
| 3,837,663 | A   | 9/1974  | Ness            |       |         |
| 4,051,967 | A   | 10/1977 | Sedgwick et al. |       |         |
| 4,212,580 | A   | 7/1980  | Fluck           |       |         |
| 4,470,746 | A   | 9/1984  | Delachapelle    |       |         |
| 5,232,329 | A   | 8/1993  | Livingston      |       |         |
| D346,680  | S * | 5/1994  | Lee             | ..... | D34/31  |
| 5,387,070 | A   | 2/1995  | Roeling         |       |         |
| D377,700  | S * | 1/1997  | Butler          | ..... | D34/28  |
| 5,603,600 | A   | 2/1997  | Egan et al.     |       |         |
| 5,609,461 | A * | 3/1997  | Lichtenberg     | ..... | 414/426 |
| 5,624,223 | A   | 4/1997  | Lovato          |       |         |
| 5,794,291 | A   | 8/1998  | Olaussen et al. |       |         |
| 5,800,115 | A   | 9/1998  | Fenton          |       |         |
| 5,810,546 | A   | 9/1998  | Schmoling       |       |         |
| 5,899,466 | A   | 5/1999  | Twaits, Jr.     |       |         |
| 6,059,344 | A   | 5/2000  | Radosevich      |       |         |
| 6,095,746 | A * | 8/2000  | Bergin          | ..... | 414/430 |

|              |      |         |                 |       |           |
|--------------|------|---------|-----------------|-------|-----------|
| 6,099,232    | A    | 8/2000  | Dixon et al.    |       |           |
| 6,176,672    | B1   | 1/2001  | Egan et al.     |       |           |
| 6,287,069    | B1 * | 9/2001  | Oliphant et al. | ..... | 414/426   |
| 6,379,100    | B2   | 4/2002  | Schultz         |       |           |
| 6,413,033    | B1   | 7/2002  | Monroig, Jr.    |       |           |
| D468,512     | S *  | 1/2003  | Hernandez       | ..... | D34/28    |
| 6,505,844    | B2 * | 1/2003  | Hallman et al.  | ..... | 280/79.7  |
| D475,829     | S *  | 6/2003  | DiStaulo        | ..... | D34/28    |
| 6,705,820    | B2   | 3/2004  | Schilling       |       |           |
| D488,905     | S *  | 4/2004  | DiStaulo        | ..... | D34/28    |
| 6,767,171    | B2   | 7/2004  | Kelly           |       |           |
| 6,817,825    | B1   | 11/2004 | O'Hagen         |       |           |
| D586,524     | S *  | 2/2009  | Mertes          | ..... | D34/28    |
| D606,724     | S *  | 12/2009 | Weaver          | ..... | D34/28    |
| 2001/0031193 | A1   | 10/2001 | Chevrier        |       |           |
| 2002/0136621 | A1   | 9/2002  | Scherle         |       |           |
| 2005/0212242 | A1 * | 9/2005  | Cheng           | ..... | 280/79.11 |
| 2008/0073866 | A1 * | 3/2008  | Santos Gomez    | ..... | 280/79.11 |
| 2010/0314849 | A1 * | 12/2010 | Realegeno-Amaya | ....  | 280/79.11 |

\* cited by examiner

*Primary Examiner* — Cynthia E Ramirez

(74) *Attorney, Agent, or Firm* — Patterson Thunte Christensen Pedersen, P.A.

(57) **CLAIM**

I claim the ornamental design for a snowmobile loader, as shown.

**DESCRIPTION**

FIG. 1 is a perspective view of a snowmobile loader according to an embodiment of the invention.

FIG. 2 is a top planform view of a snowmobile loader according to an embodiment of the invention.

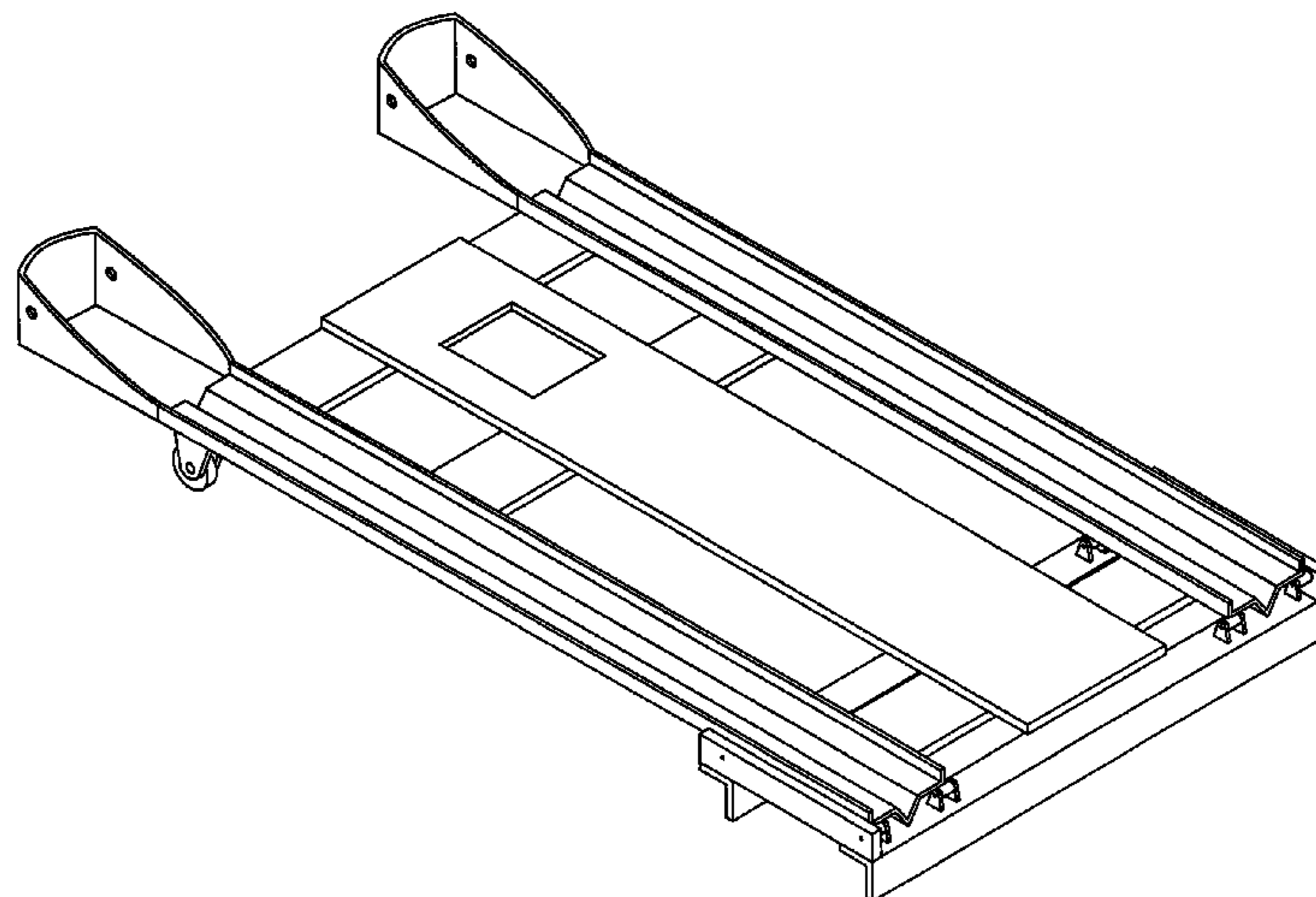
FIG. 3 is a bottom planform view of a snowmobile loader according to an embodiment of the invention.

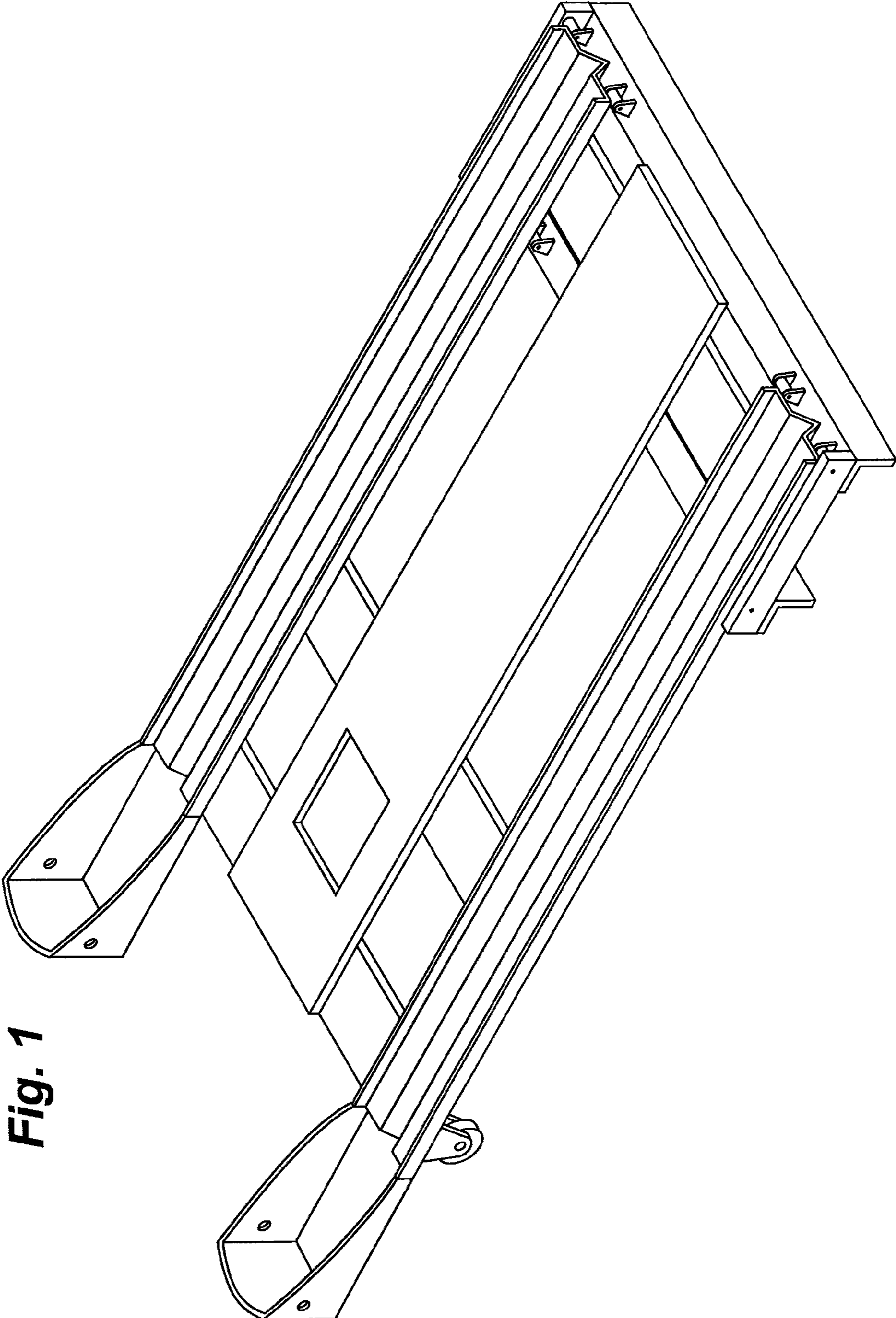
FIG. 4 is a side elevational view of a snowmobile loader according to an embodiment of the invention.

FIG. 5 is a rear elevational view of a snowmobile loader according to an embodiment of the invention; and,

FIG. 6 is a front elevational view of a snowmobile loader according to an embodiment of the invention.

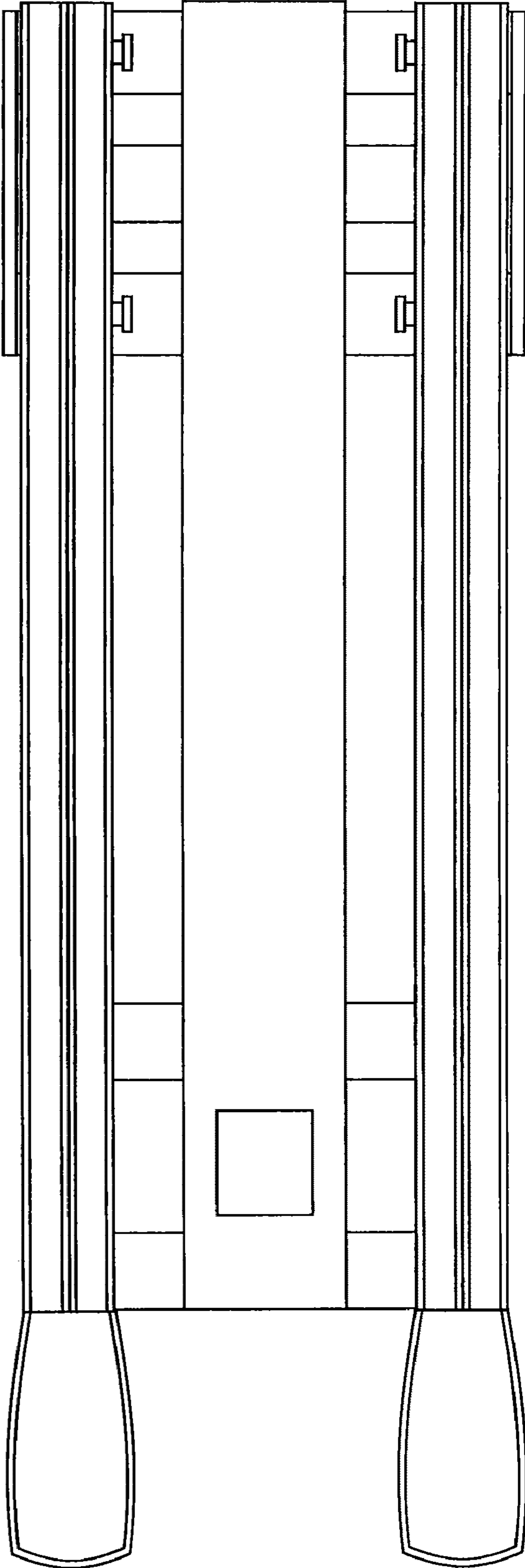
**1 Claim, 4 Drawing Sheets**





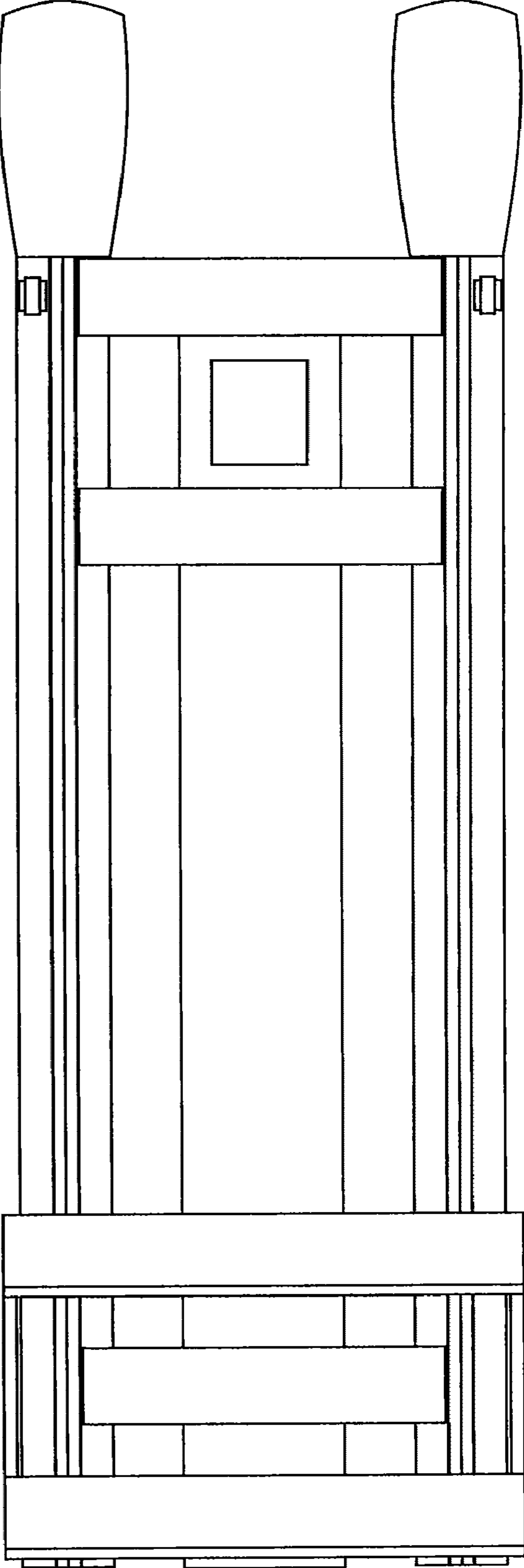
**Fig. 1**

**Fig. 2**

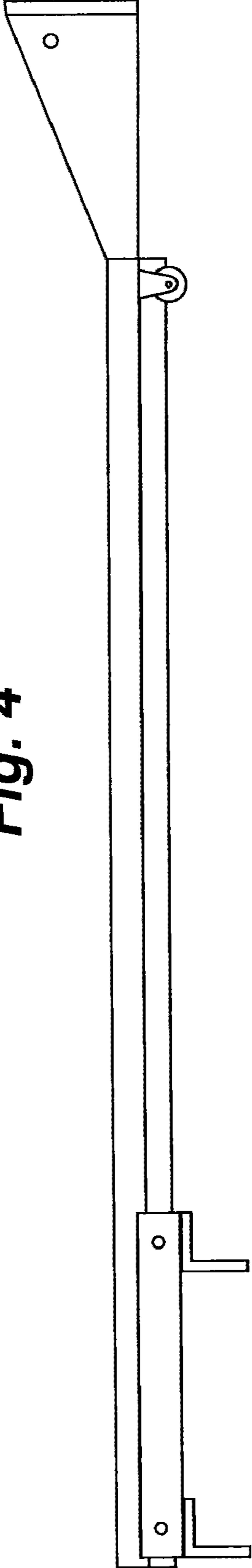




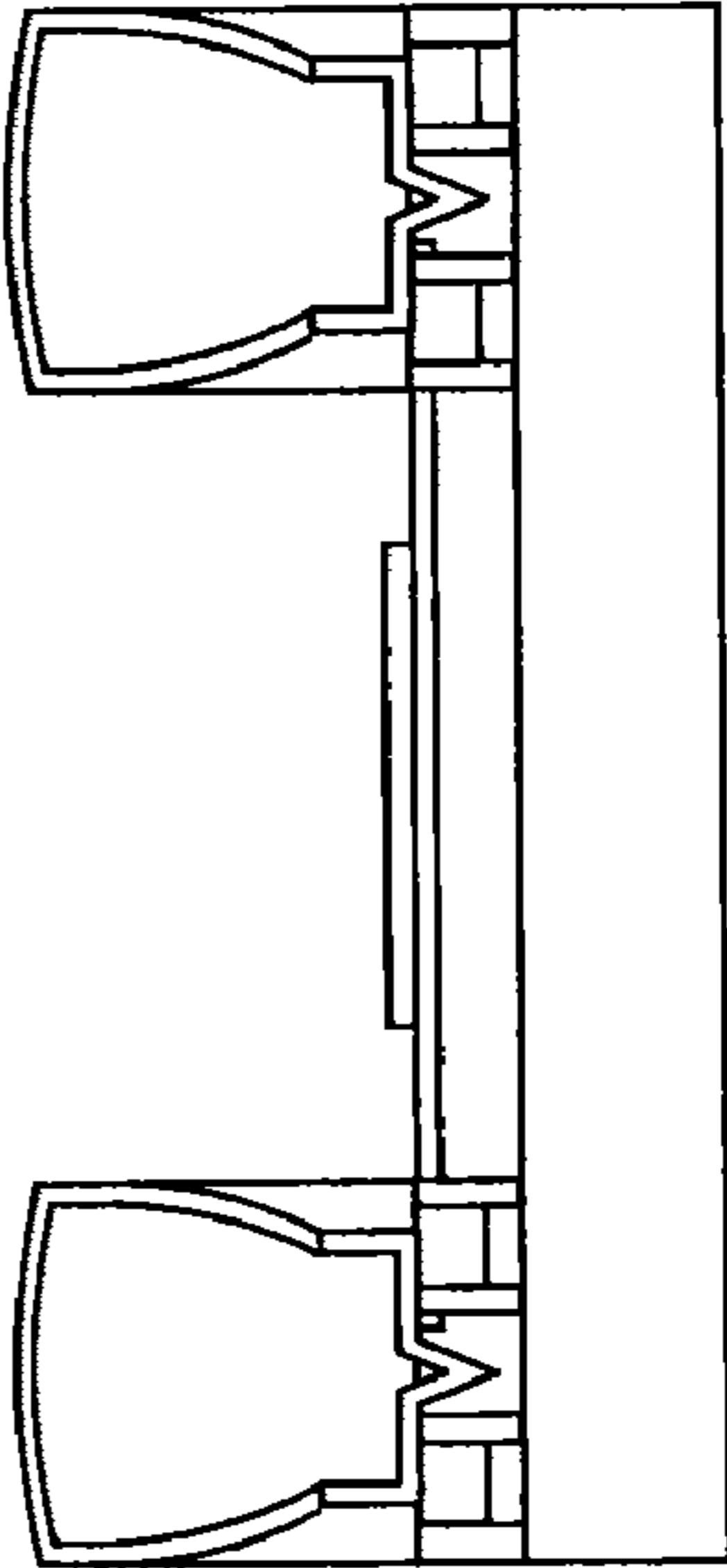
*Fig. 3*



**Fig. 4**



**Fig. 5**



**Fig. 6**

