



US00D634502S

(12) **United States Design Patent**
Jorgensen

(10) **Patent No.:** **US D634,502 S**

(45) **Date of Patent:** **** Mar. 15, 2011**

(54) **LOW PROFILE CREEPER**

(75) Inventor: **Ryan Jorgensen**, Blue Springs, MO
(US)

(73) Assignee: **Shinn Fu Company of America, Inc.**,
Kansas City, MO (US)

(**) Term: **14 Years**

(21) Appl. No.: **29/357,738**

(22) Filed: **Mar. 16, 2010**

(51) **LOC (9) Cl.** **12-02**

(52) **U.S. Cl.** **D34/23**

(58) **Field of Classification Search** D34/12-27;
280/30, 32.5, 36.6, 43.24, 79.2, 79.7, 79.11,
280/639, 640, 651

See application file for complete search history.

(56) **References Cited**

U.S. PATENT DOCUMENTS

4,682,750	A	7/1987	Rudolph et al.	
5,174,592	A	12/1992	Pool	
5,261,725	A	11/1993	Rudolph	
5,330,209	A	7/1994	Pool	
D403,822	S	1/1999	Whiteside et al.	
5,947,489	A	9/1999	Tucker	
6,095,532	A *	8/2000	Martin	280/32.6
6,345,828	B1	2/2002	Pool et al.	
6,425,590	B1 *	7/2002	Whiteside et al.	280/32.6
6,969,077	B2 *	11/2005	Liu	280/30
D522,209	S *	5/2006	Chipps	D34/23
D532,177	S *	11/2006	Hernandez	D34/23
D547,517	S *	7/2007	Hernandez	D34/23
D556,419	S *	11/2007	Whiteside et al.	D34/23
D556,972	S	12/2007	Whiteside et al.	

D573,324	S *	7/2008	Hernandez	D34/23
D620,669	S *	7/2010	Hernandez	D34/23
2005/0161894	A1	7/2005	Lensing	

* cited by examiner

Primary Examiner — Cynthia E Ramirez

(74) *Attorney, Agent, or Firm* — Lathrop & Gage LLP

(57) **CLAIM**

The ornamental design for a low profile creeper, as shown and described.

DESCRIPTION

FIG. 1 is a perspective view of the low profile creeper showing the new design;

FIG. 2 is another perspective view of the low profile creeper of FIG. 1;

FIG. 3 is an end view of the low profile creeper of FIG. 1;

FIG. 4 is an opposite end view of the low profile creeper of FIG. 1;

FIG. 5 is a side view of the low profile creeper of FIG. 1;

FIG. 6 is an opposite side view of the low profile creeper of FIG. 1;

FIG. 7 is a top view of the low profile creeper of FIG. 1;

FIG. 8 is a perspective view of a low profile creeper according to another embodiment that is closely related to that shown in FIG. 1;

FIG. 9 is another perspective view of the low profile creeper of FIG. 8;

FIG. 10 is an end view of the low profile creeper of FIG. 8;

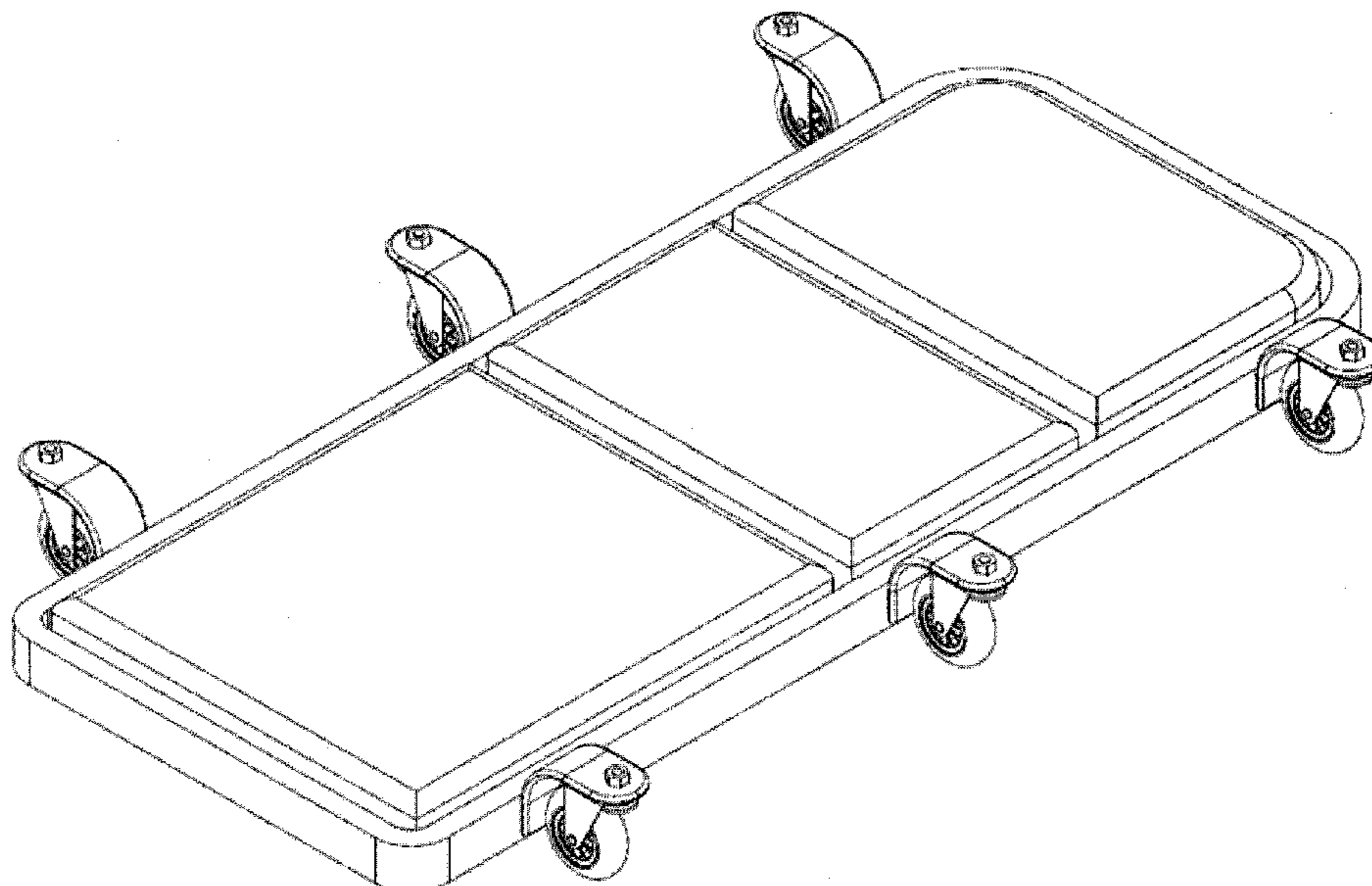
FIG. 11 is an opposite end view of the low profile creeper of FIG. 8;

FIG. 12 is a side view of the low profile creeper of FIG. 8;

FIG. 13 is an opposite side view of the low profile creeper of FIG. 8; and,

FIG. 14 is a top view of the low profile creeper of FIG. 8.

1 Claim, 6 Drawing Sheets



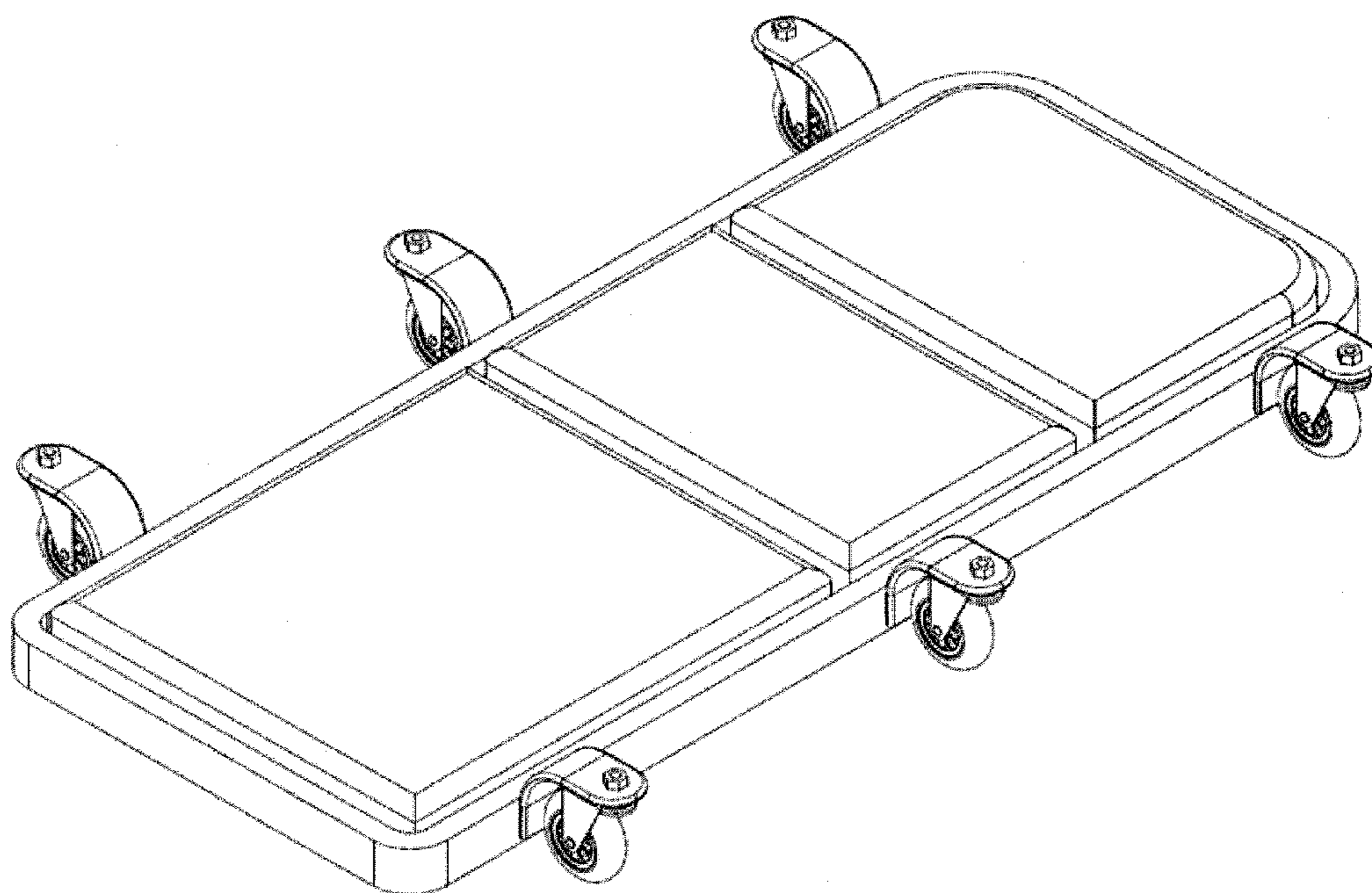


FIG. 1

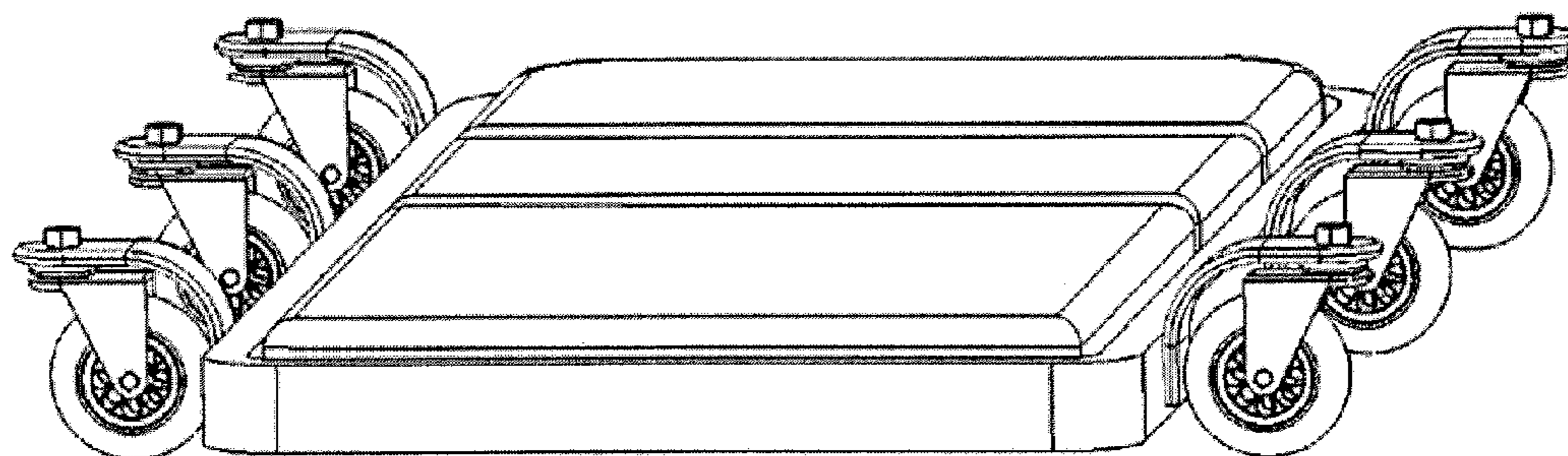


FIG. 2

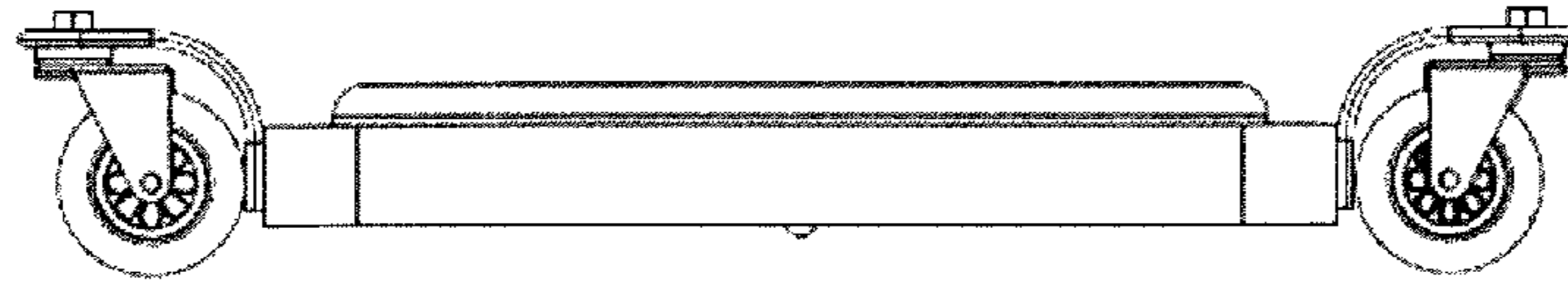


FIG. 3

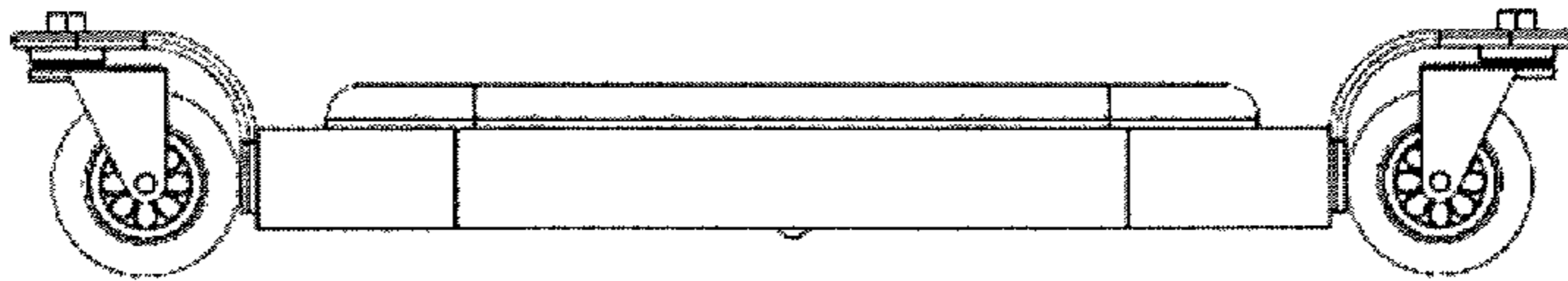


FIG. 4

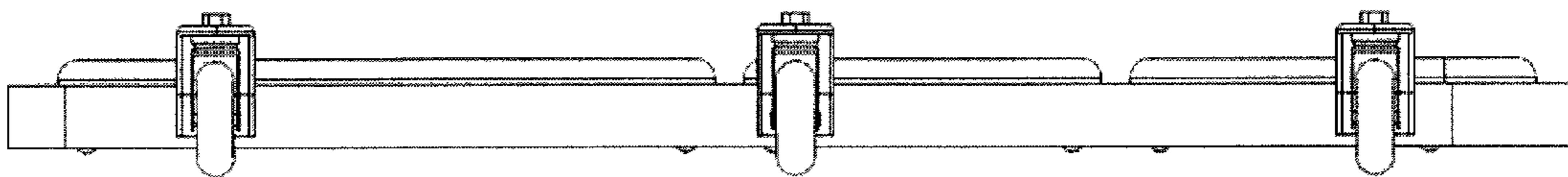


FIG. 5

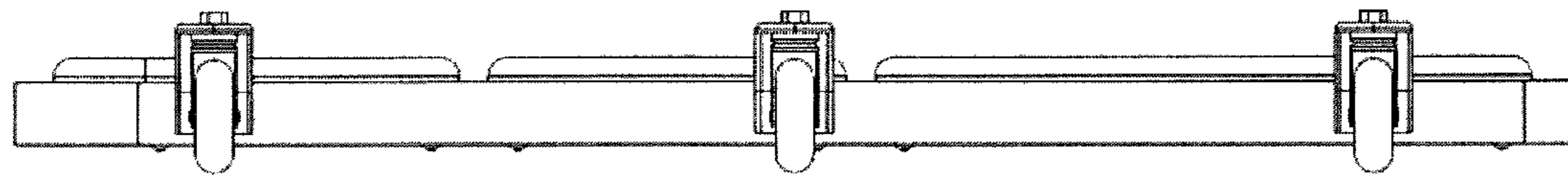


FIG. 6

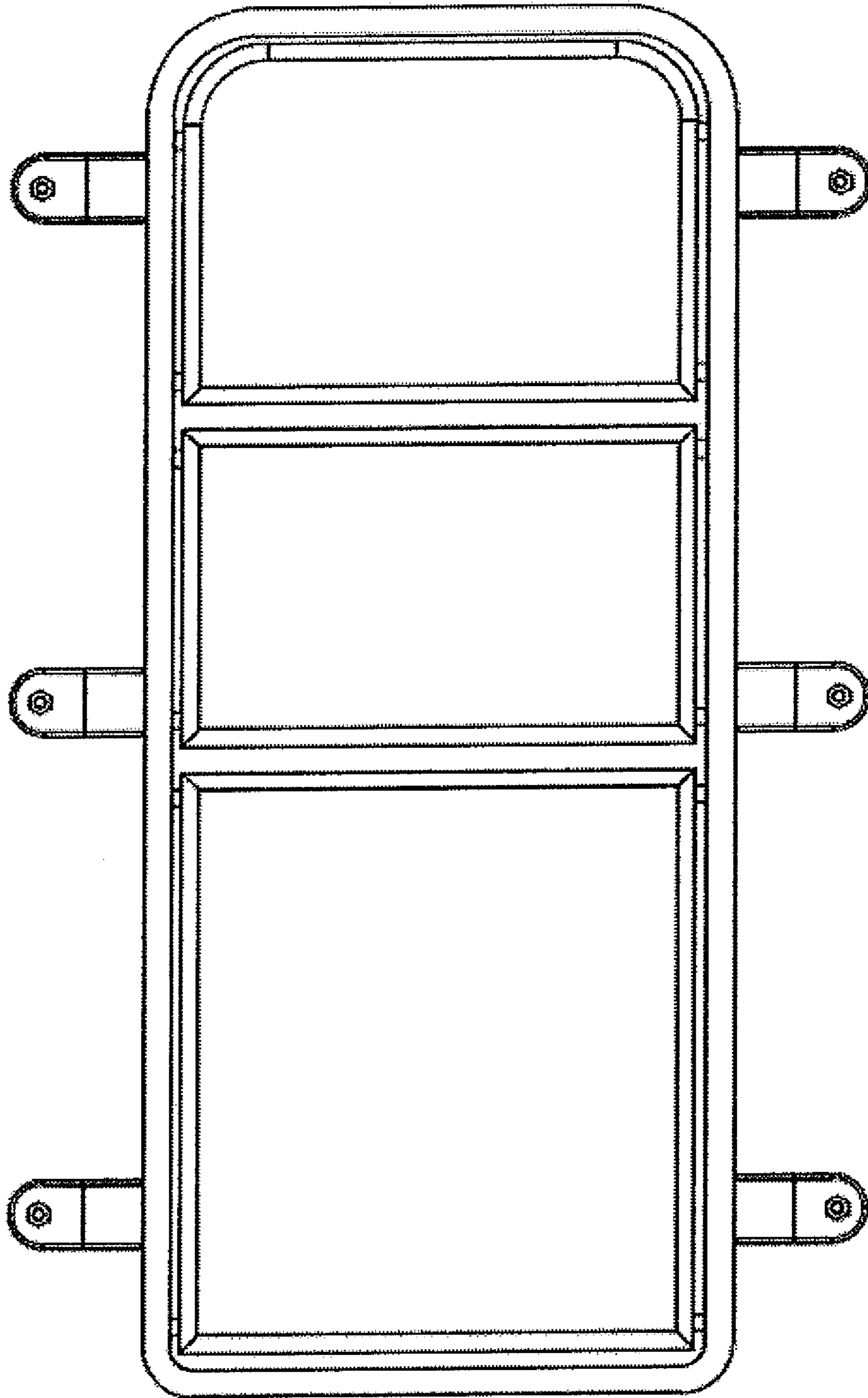


FIG. 7

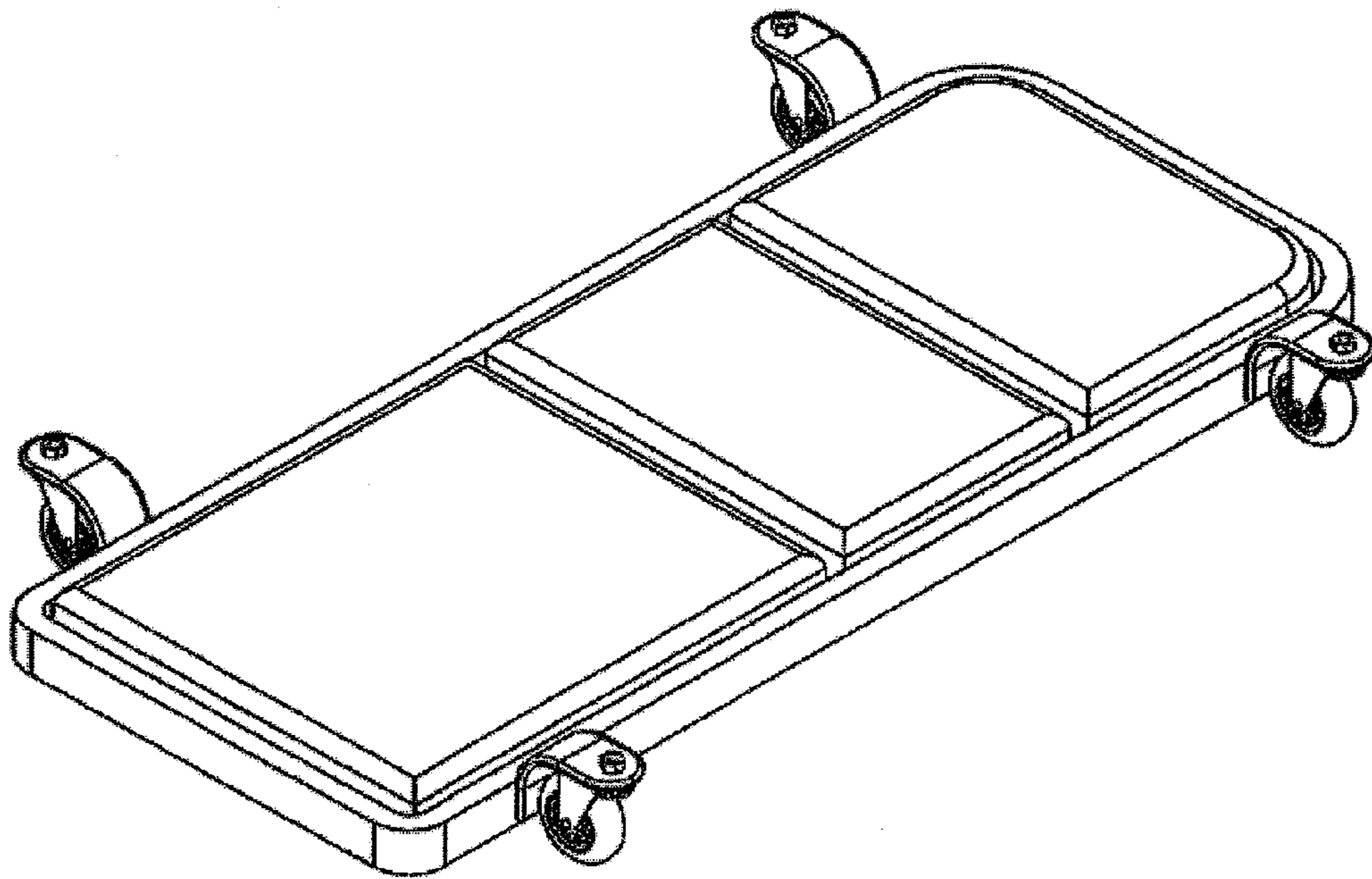


FIG. 8

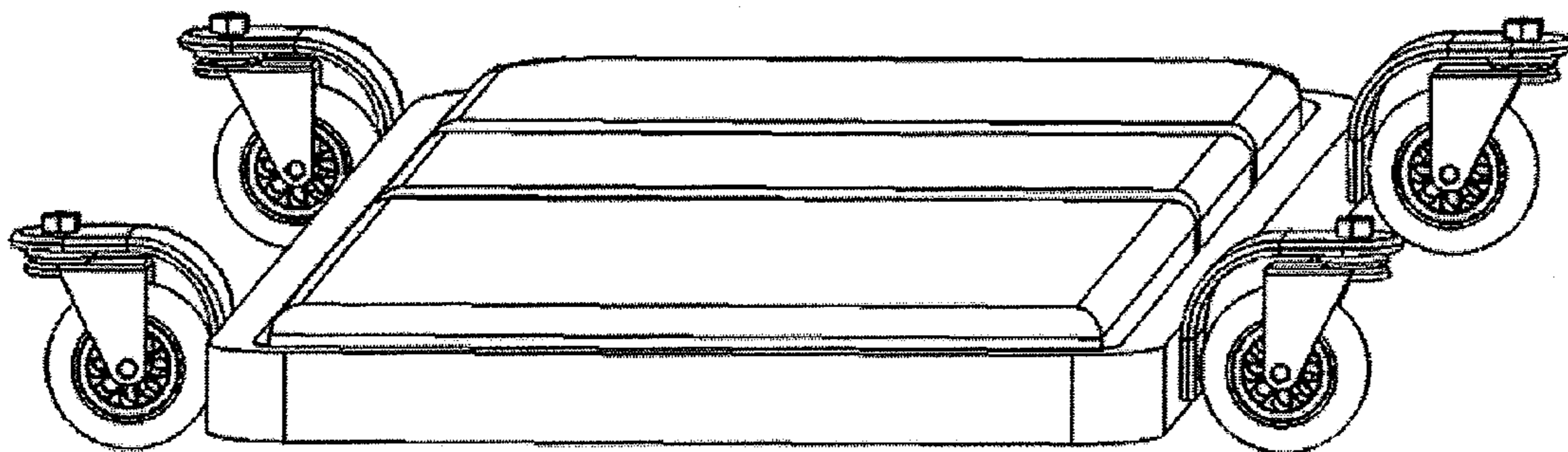


FIG. 9

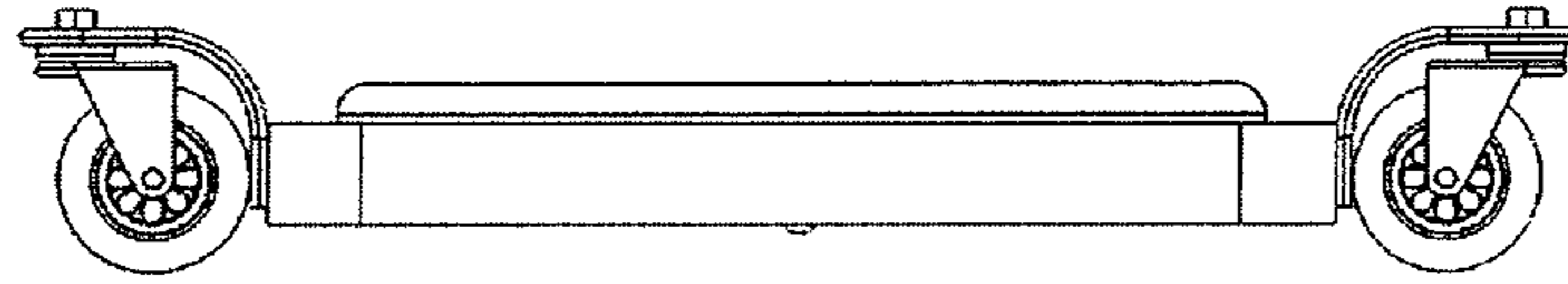


FIG. 10



FIG. 11

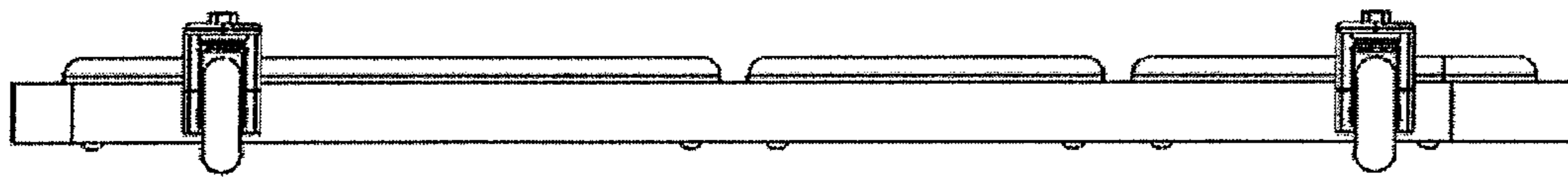


FIG. 12

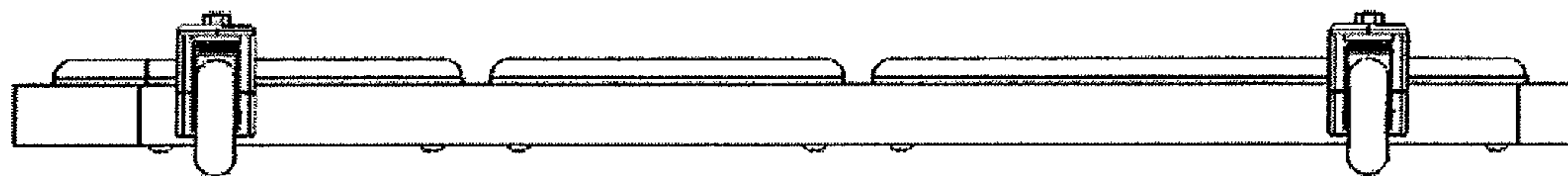


FIG. 13

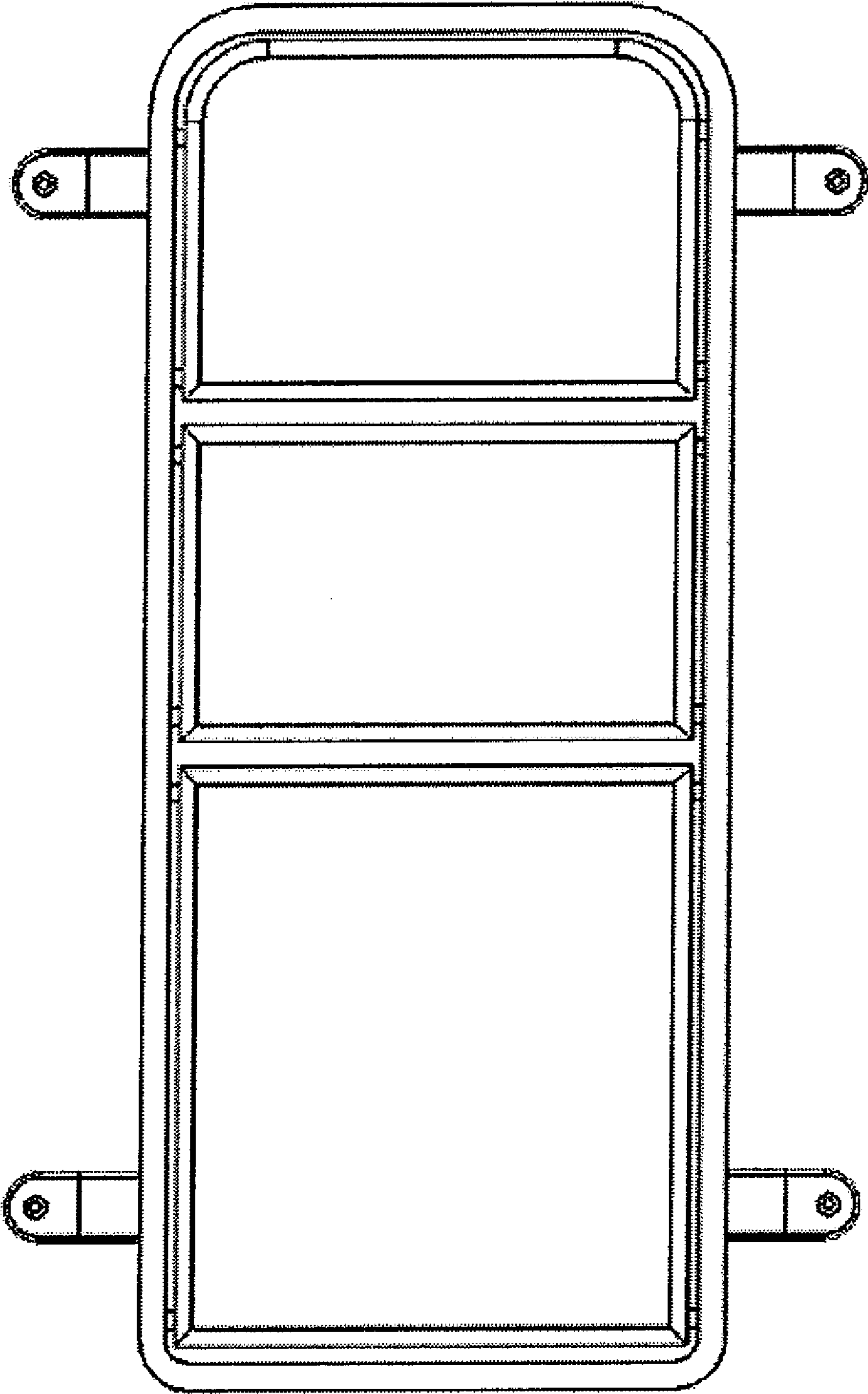


FIG. 14