



US00D634498S

(12) **United States Design Patent**
Cummins

(10) **Patent No.:** **US D634,498 S**
(45) **Date of Patent:** **** Mar. 15, 2011**

(54) **BUCKET HAVING STORAGE COMPARTMENTS FOR HOLDING WET FLOOR WARNING SIGNS**

(76) Inventor: **Wallace L. Cummins**, Coatesville, PA (US)

(**) Term: **14 Years**

(21) Appl. No.: **29/370,197**

(22) Filed: **Jun. 14, 2010**

(51) **LOC (9) Cl.** **07-07**

(52) **U.S. Cl.** **D32/53**

(58) **Field of Classification Search** D32/53,
D32/53.1, 54; 15/260, 263, 264, 257.05,
15/257.06; 220/904, 570

See application file for complete search history.

(56) **References Cited**

U.S. PATENT DOCUMENTS

D136,896 S *	12/1943	Woodward	D32/53
D270,961 S *	10/1983	Hawkins et al.	D32/53
D495,448 S *	8/2004	Moforis	D28/61
D616,168 S *	5/2010	Libman et al.	D32/53
D618,413 S *	6/2010	Berti	D32/53
D619,318 S *	7/2010	Miller et al.	D32/53
D620,660 S *	7/2010	Tsai	D32/53
D620,661 S *	7/2010	Tsai	D32/53

* cited by examiner

Primary Examiner — Robin V Webster

(74) *Attorney, Agent, or Firm* — John F. A. Early, III; Frank J. Bonini, Jr.; Harding, Earley, Follmer & Frailey, P.C.

(57) **CLAIM**

The ornamental design for a bucket having storage compartments for holding wet floor warning signs, as shown and described.

DESCRIPTION

FIG. 1 is a view in perspective of a first embodiment of the bucket of the invention.

FIG. 2 is a left side view of the bucket of the invention shown in FIG. 1.

FIG. 3 is a right side view of the bucket of the invention shown in FIG. 1.

FIG. 4 is a view in top plan of the bucket of the invention shown in FIG. 1.

FIG. 5 is a back view of the bucket of the invention shown in FIG. 1.

FIG. 6 is a front view of the bucket of the invention shown in FIG. 1.

FIG. 7 is a view in bottom plan of the bucket of the invention shown in FIG. 1.

FIG. 8 is a view in perspective of an alternative embodiment of the bucket of the invention.

FIG. 9 is a left side view of the bucket of the invention shown in FIG. 8.

FIG. 10 is a right side view of the bucket of the invention shown in FIG. 8.

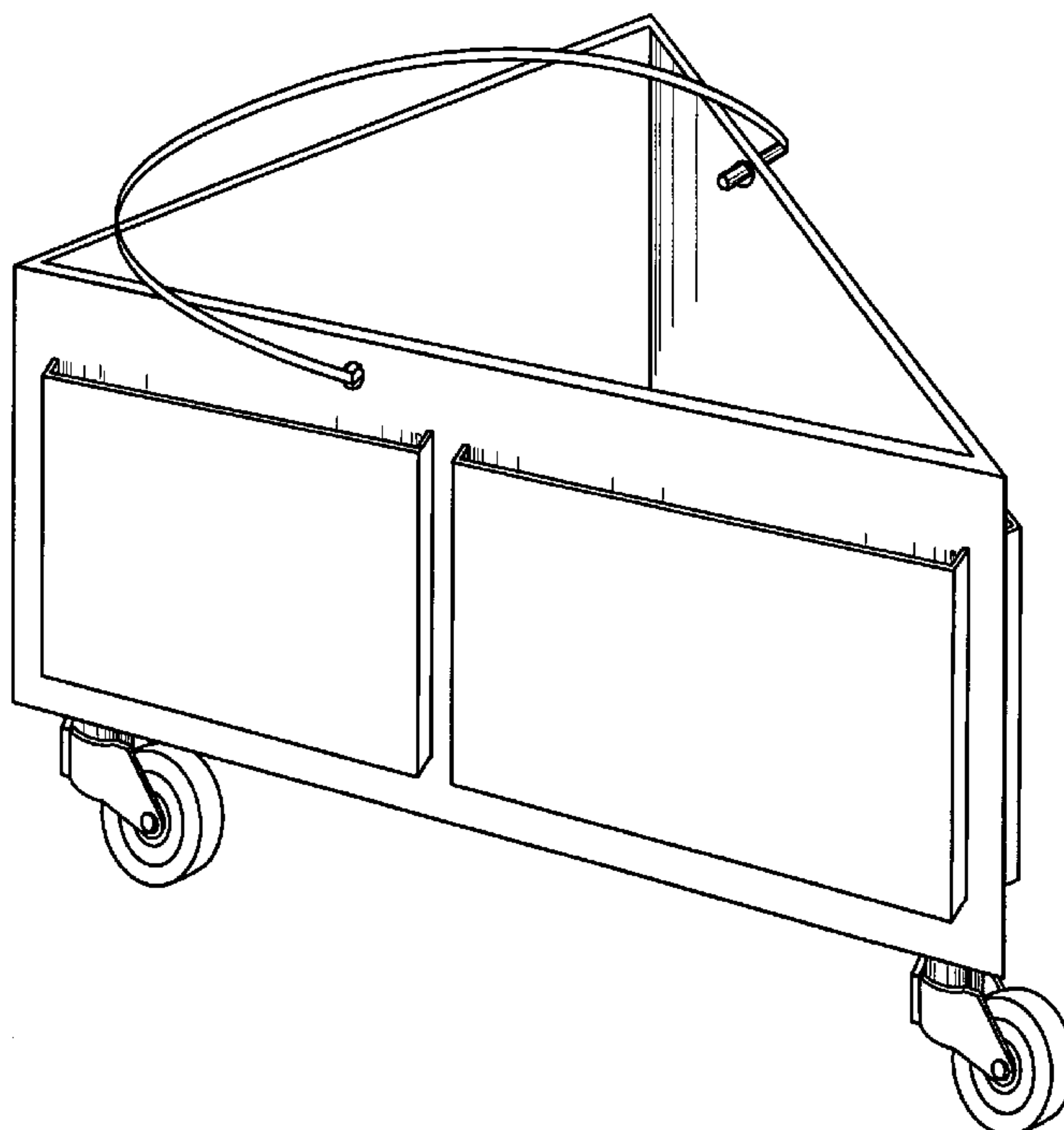
FIG. 11 is a view in top plan of the bucket of the invention shown in FIG. 8.

FIG. 12 is a back view of the bucket of the invention shown in FIG. 8.

FIG. 13 is a front view of the bucket of the invention shown in FIG. 8; and,

FIG. 14 is a view in bottom plan of the bucket of the invention shown in FIG. 8.

1 Claim, 6 Drawing Sheets



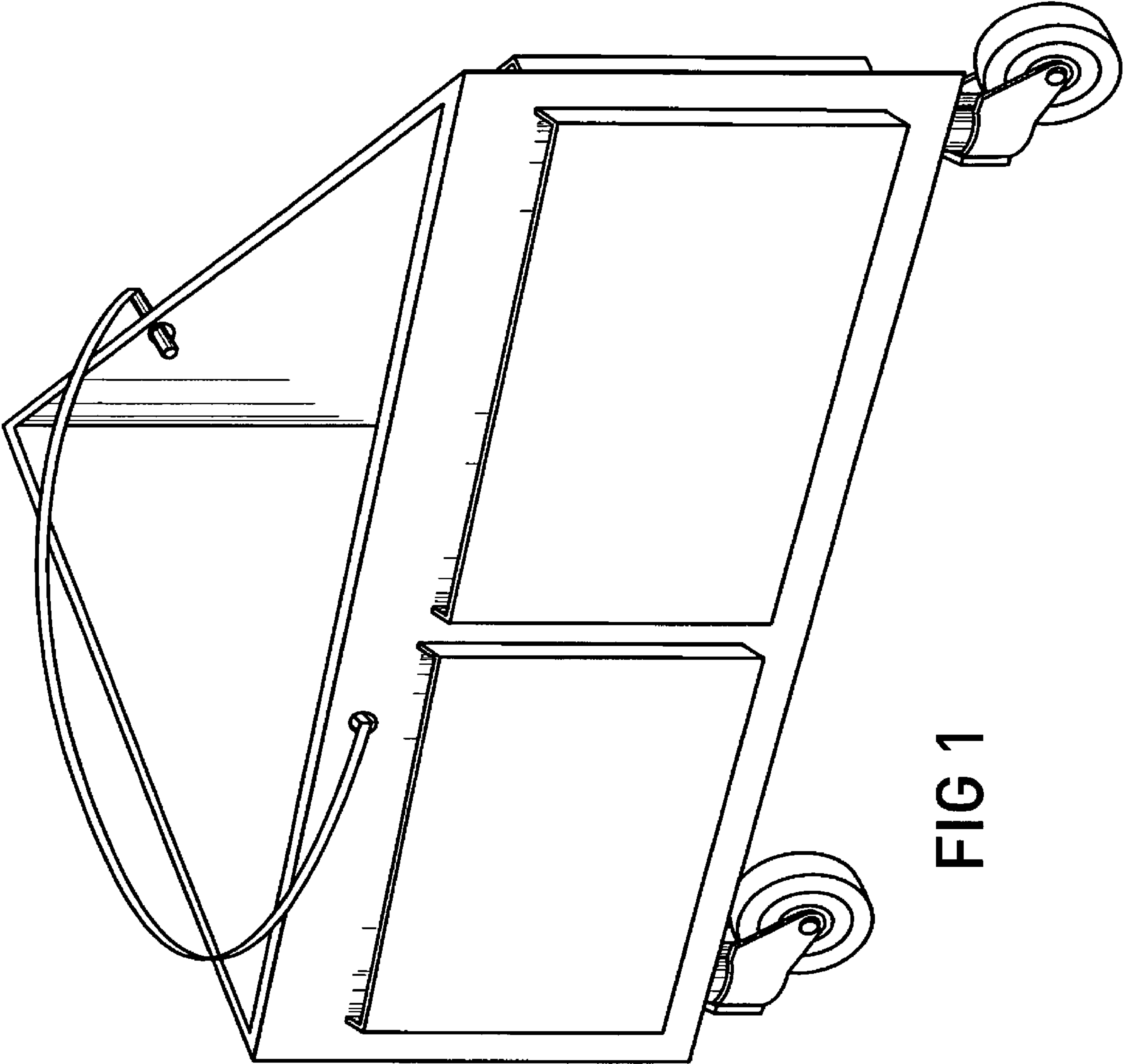


FIG 1

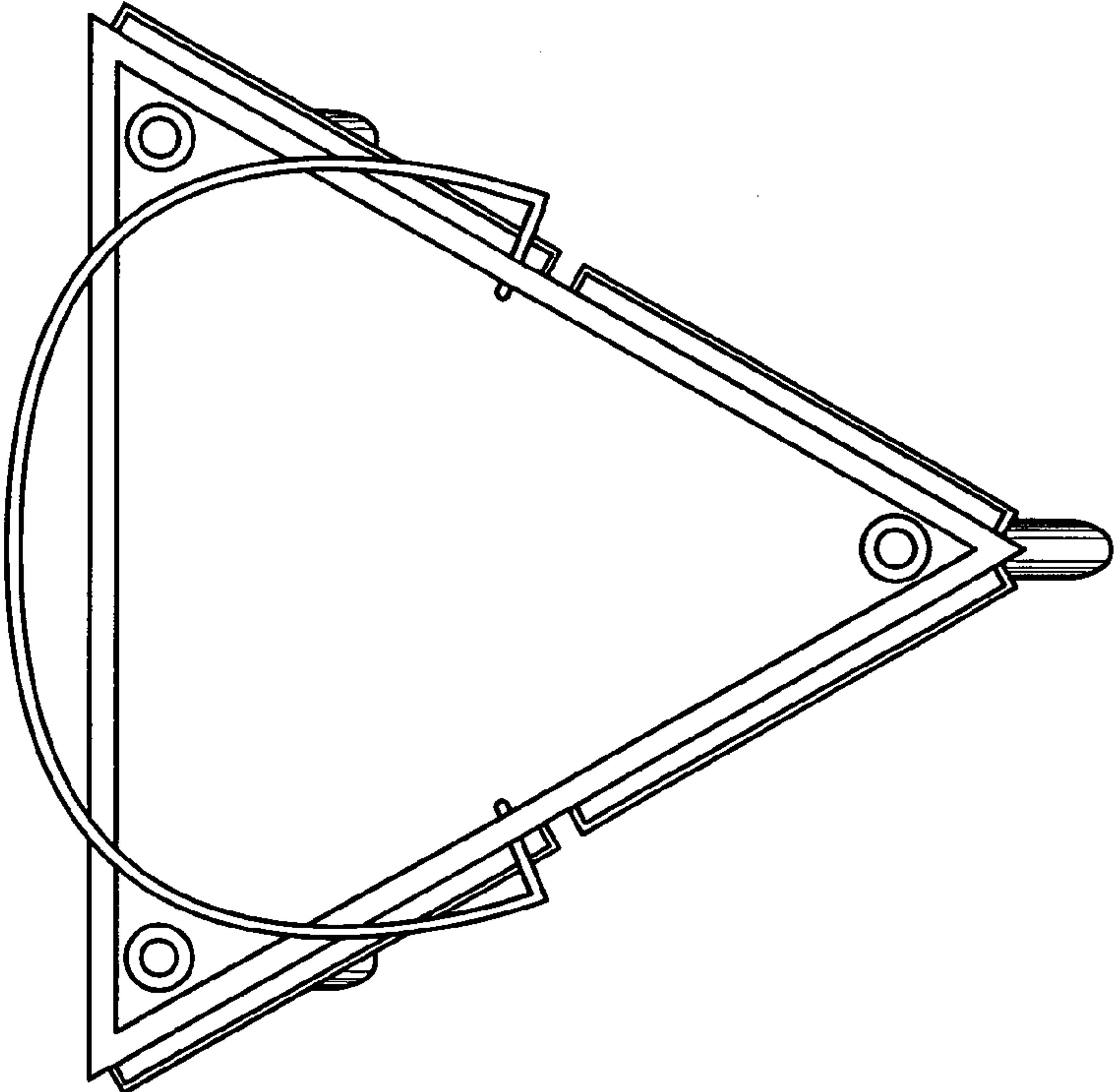


FIG 4

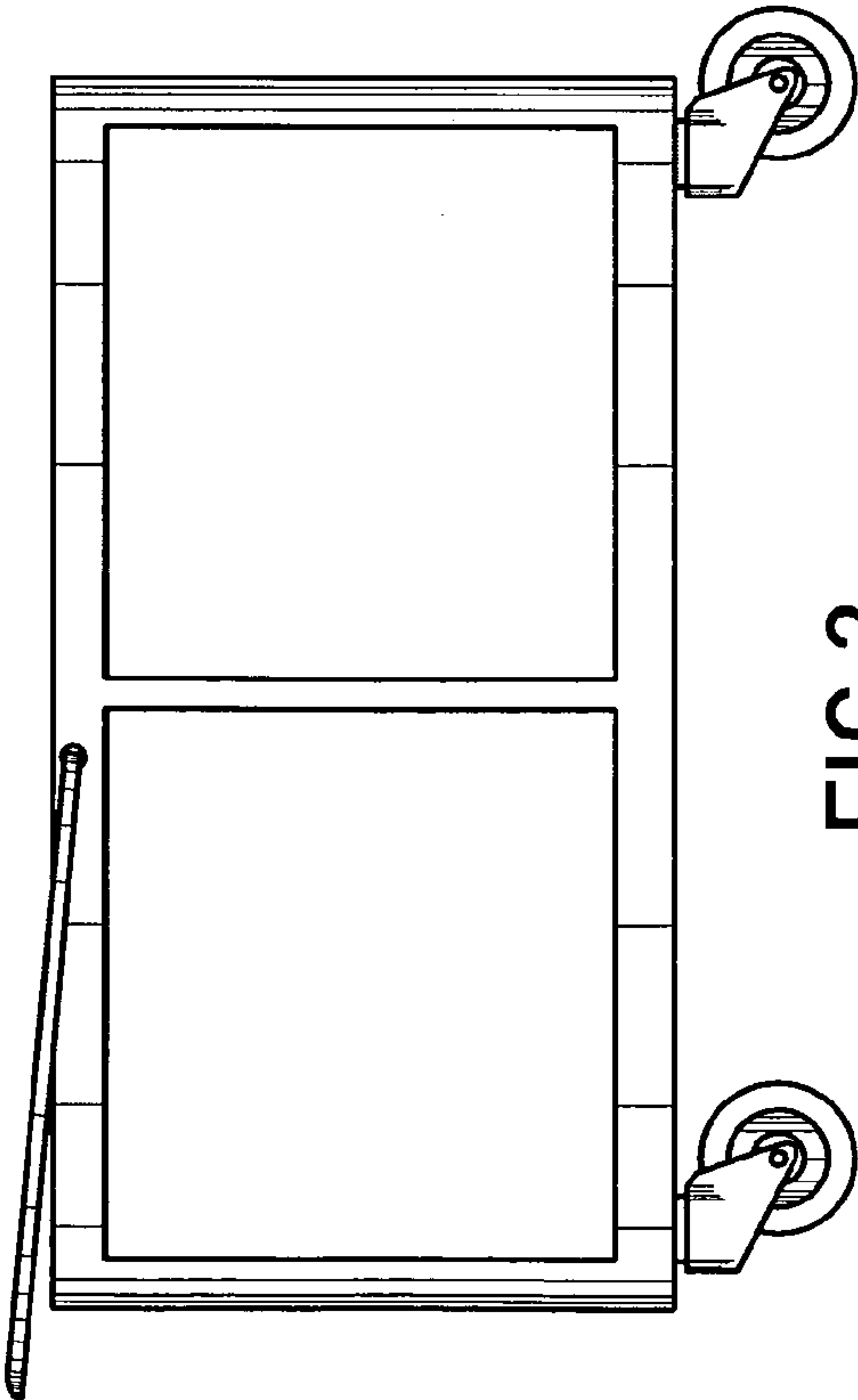


FIG 2

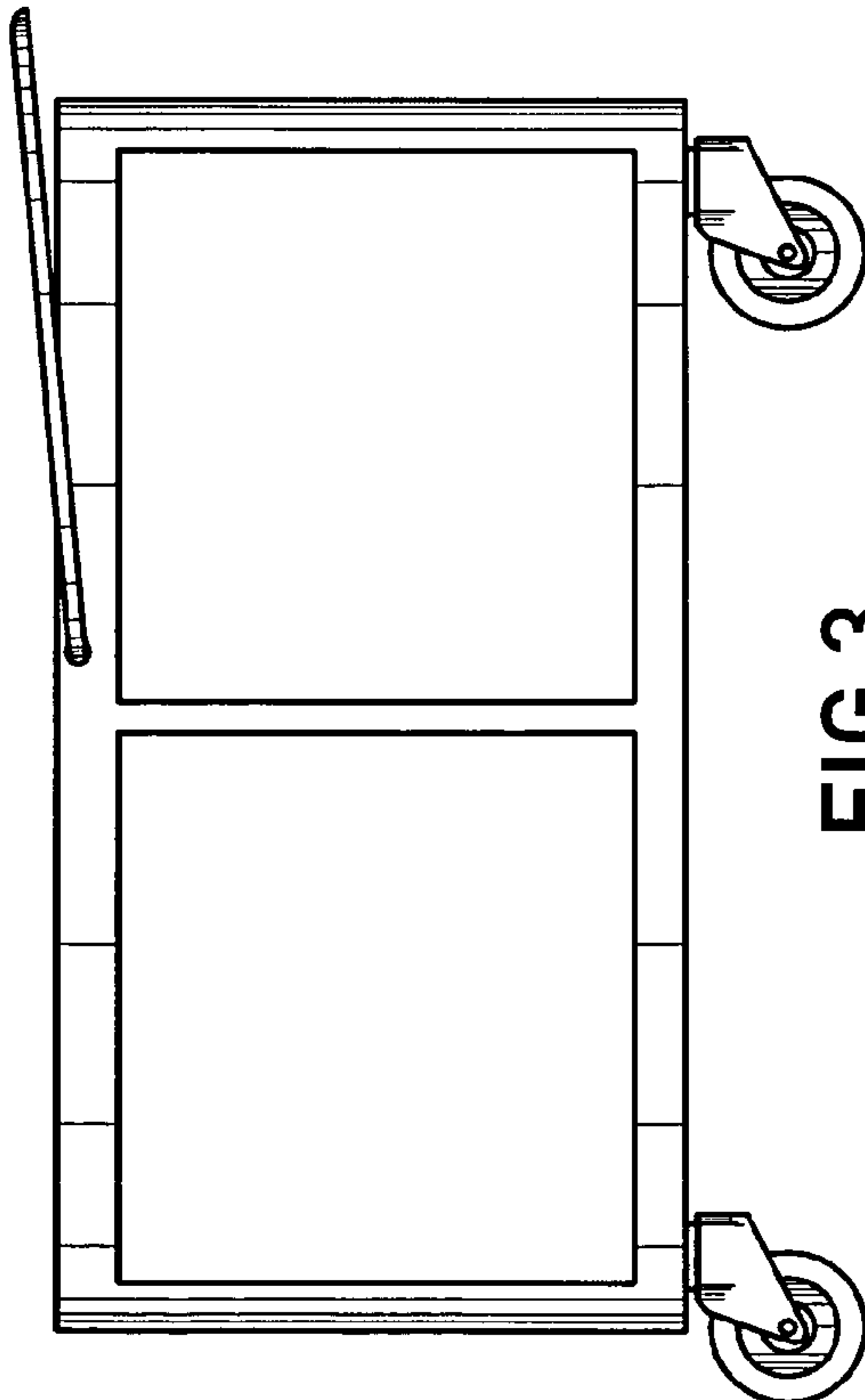
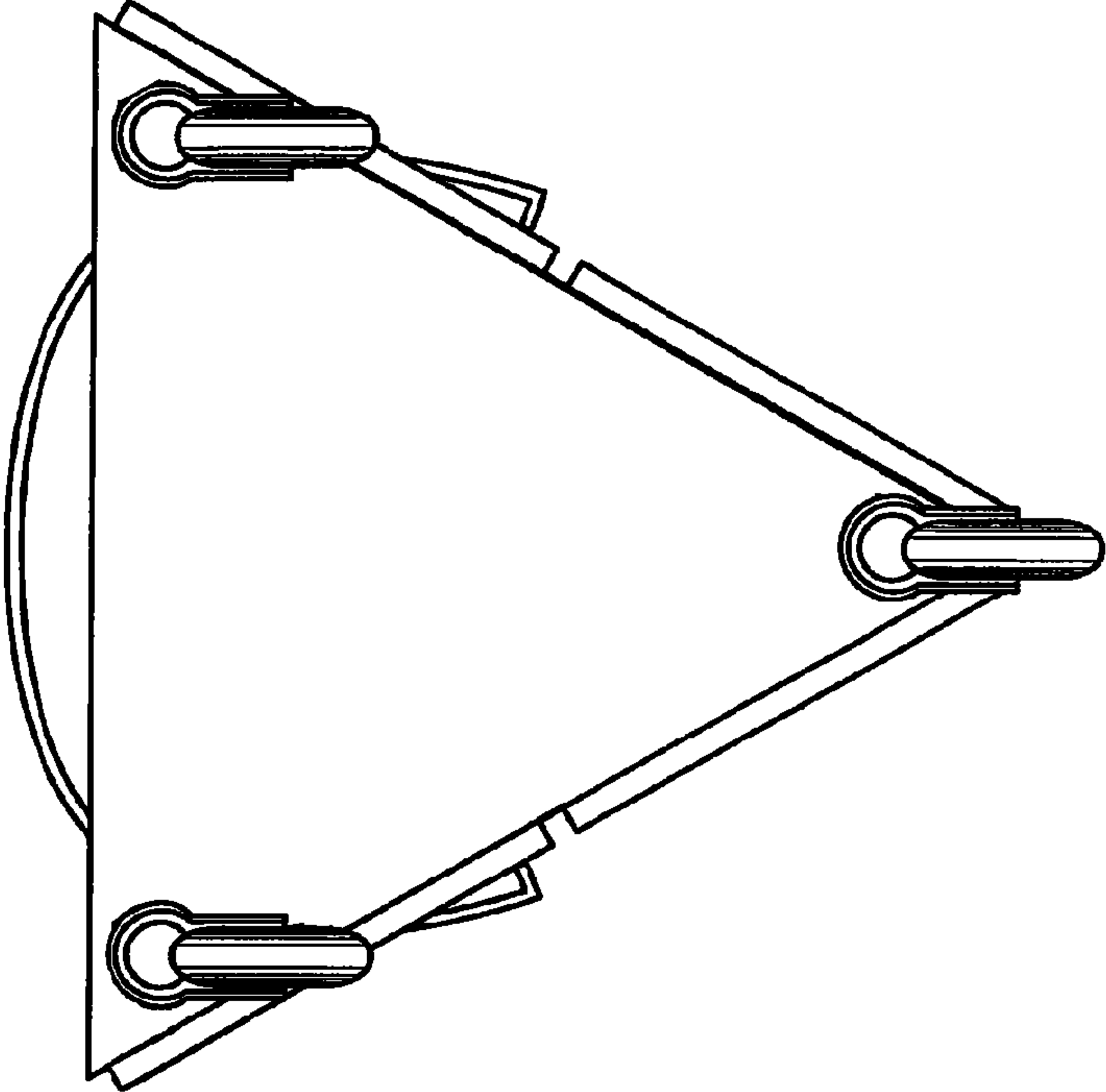
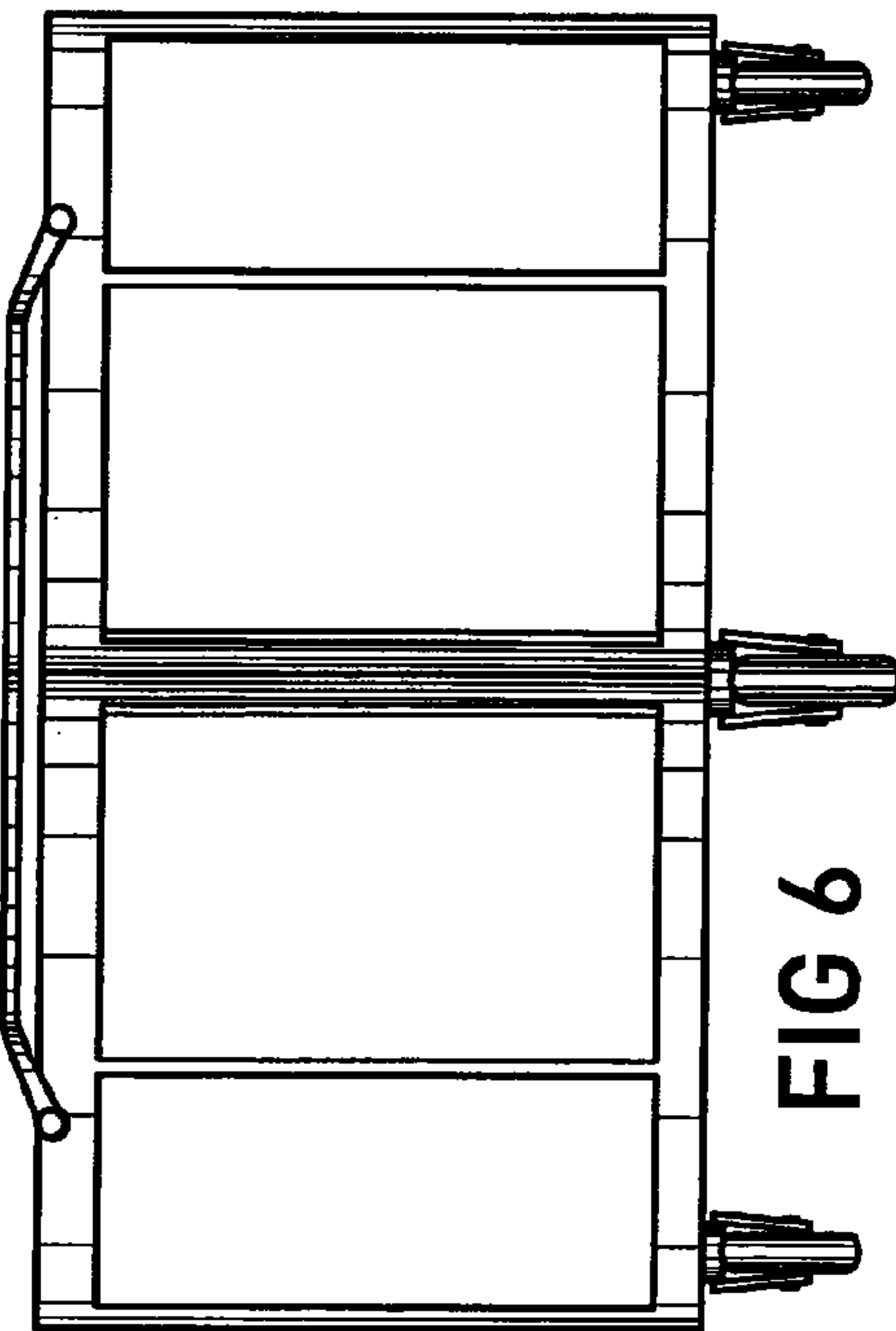
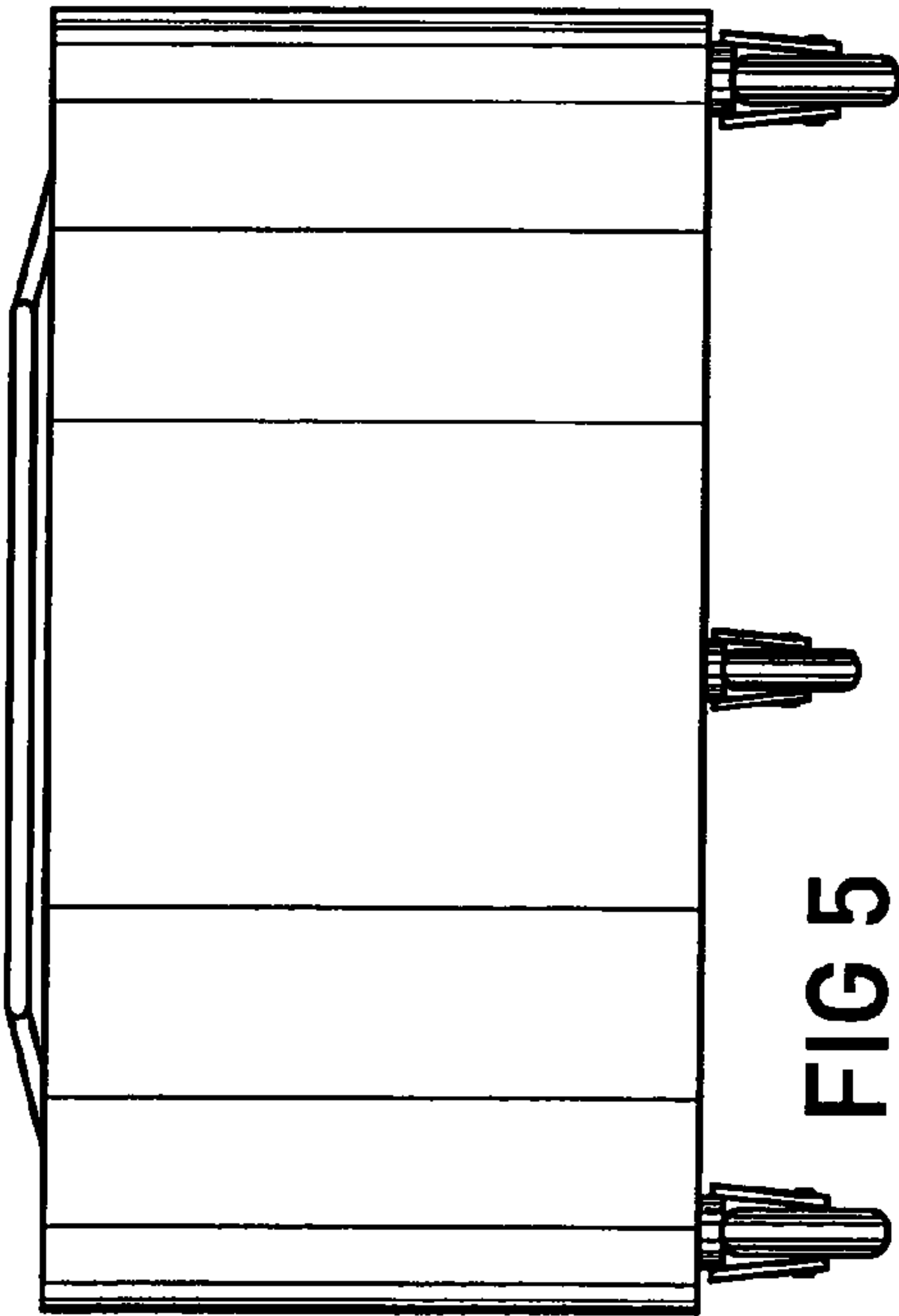


FIG 3



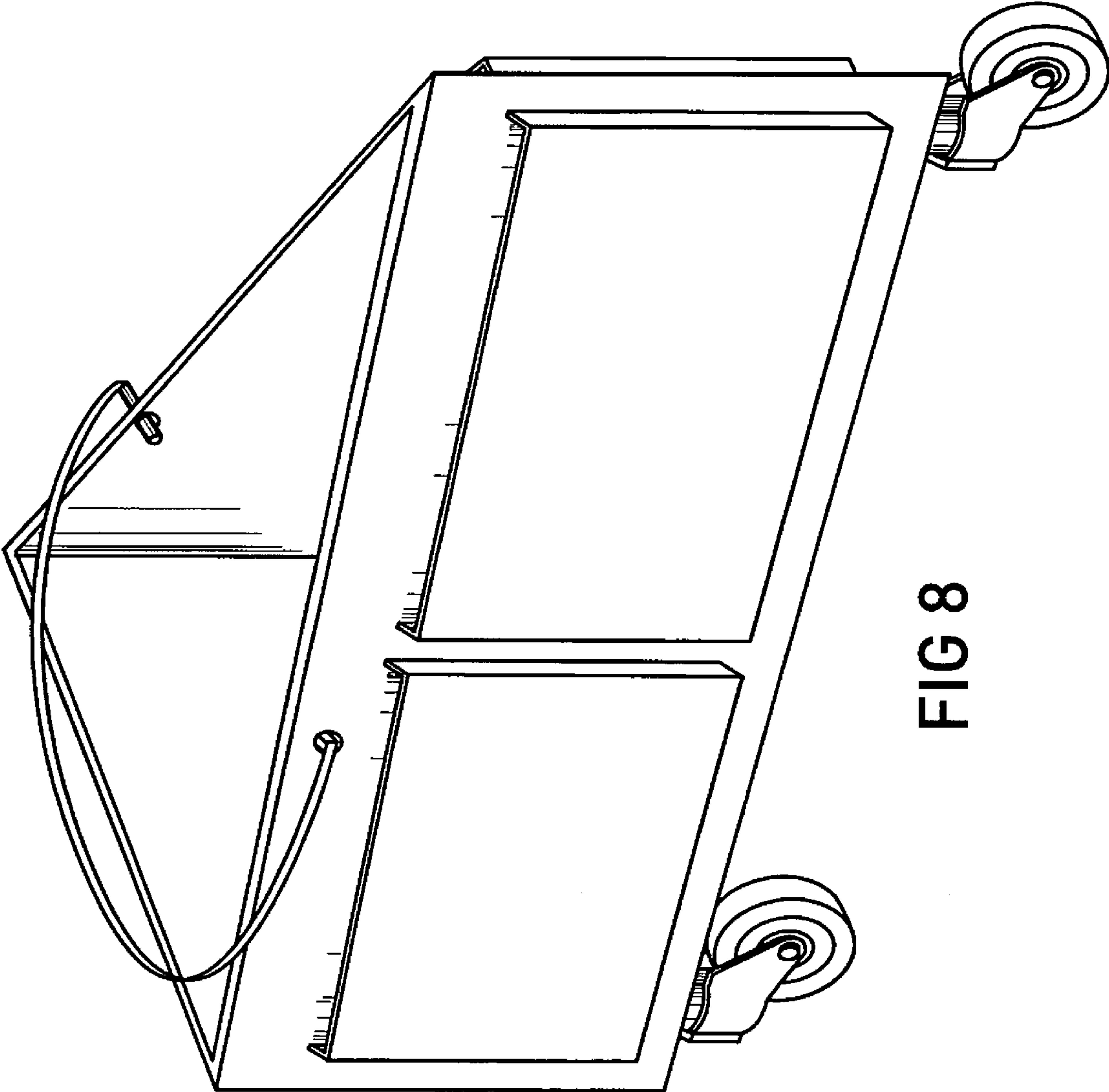


FIG 8

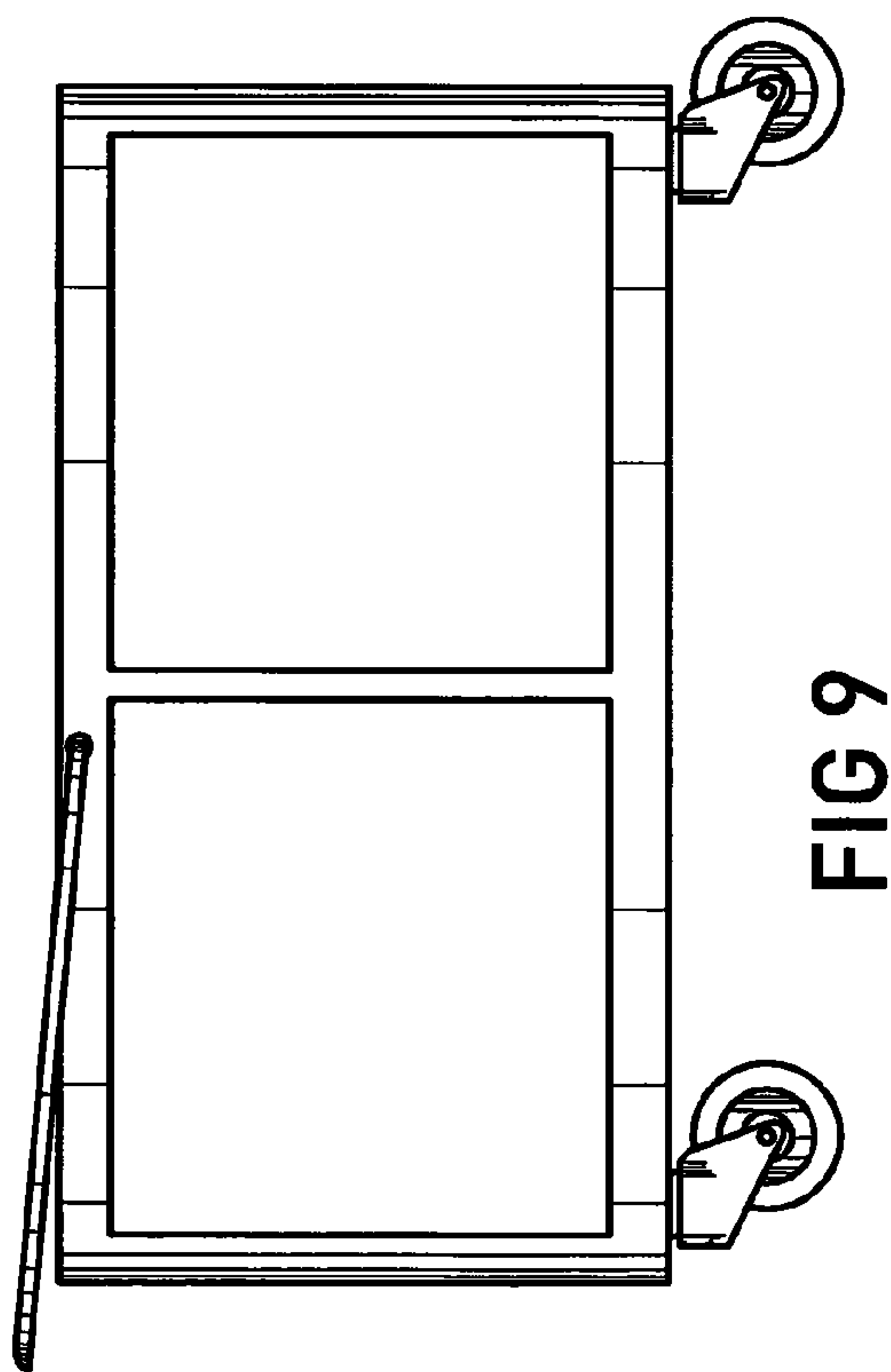


FIG 9

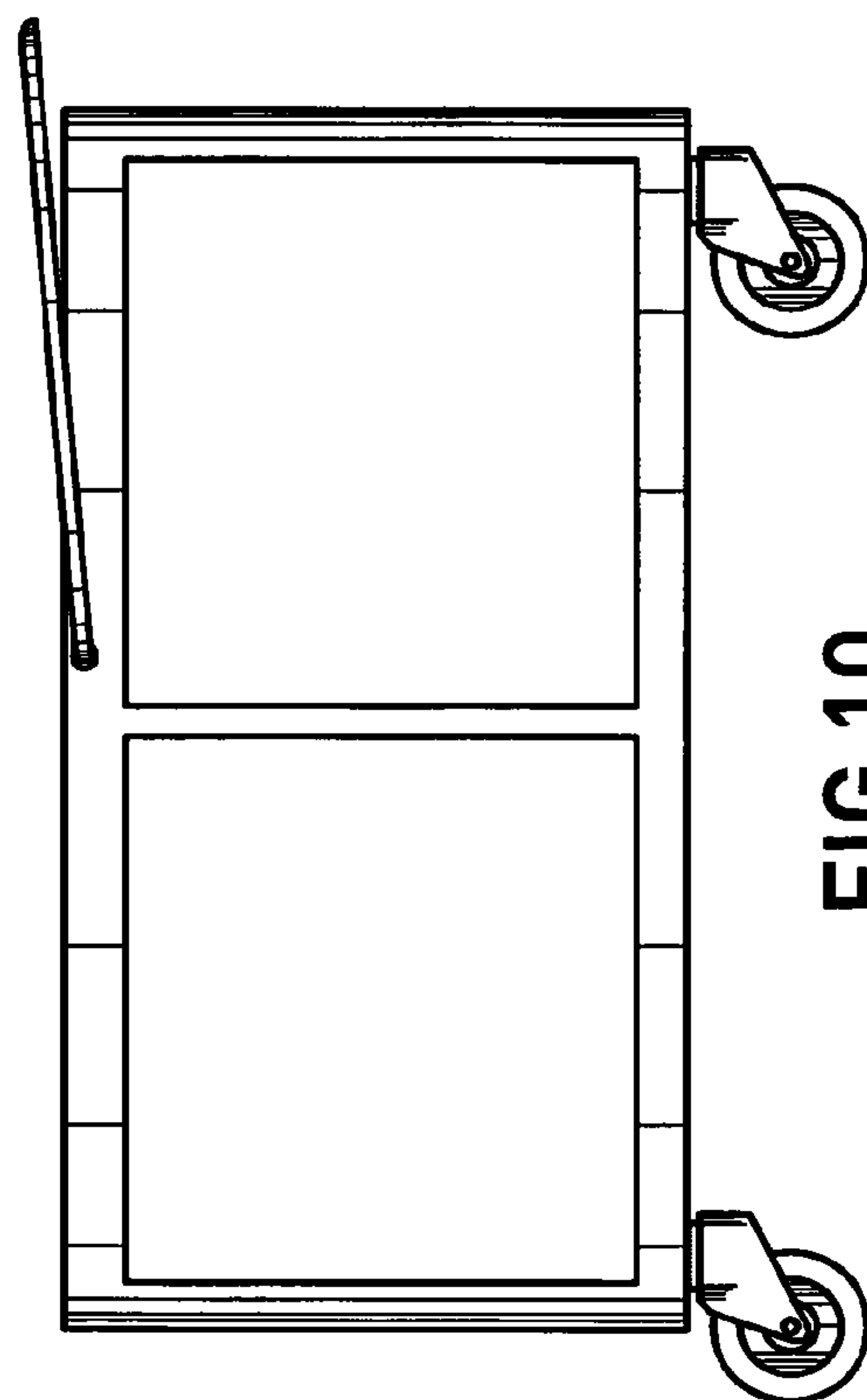


FIG 10

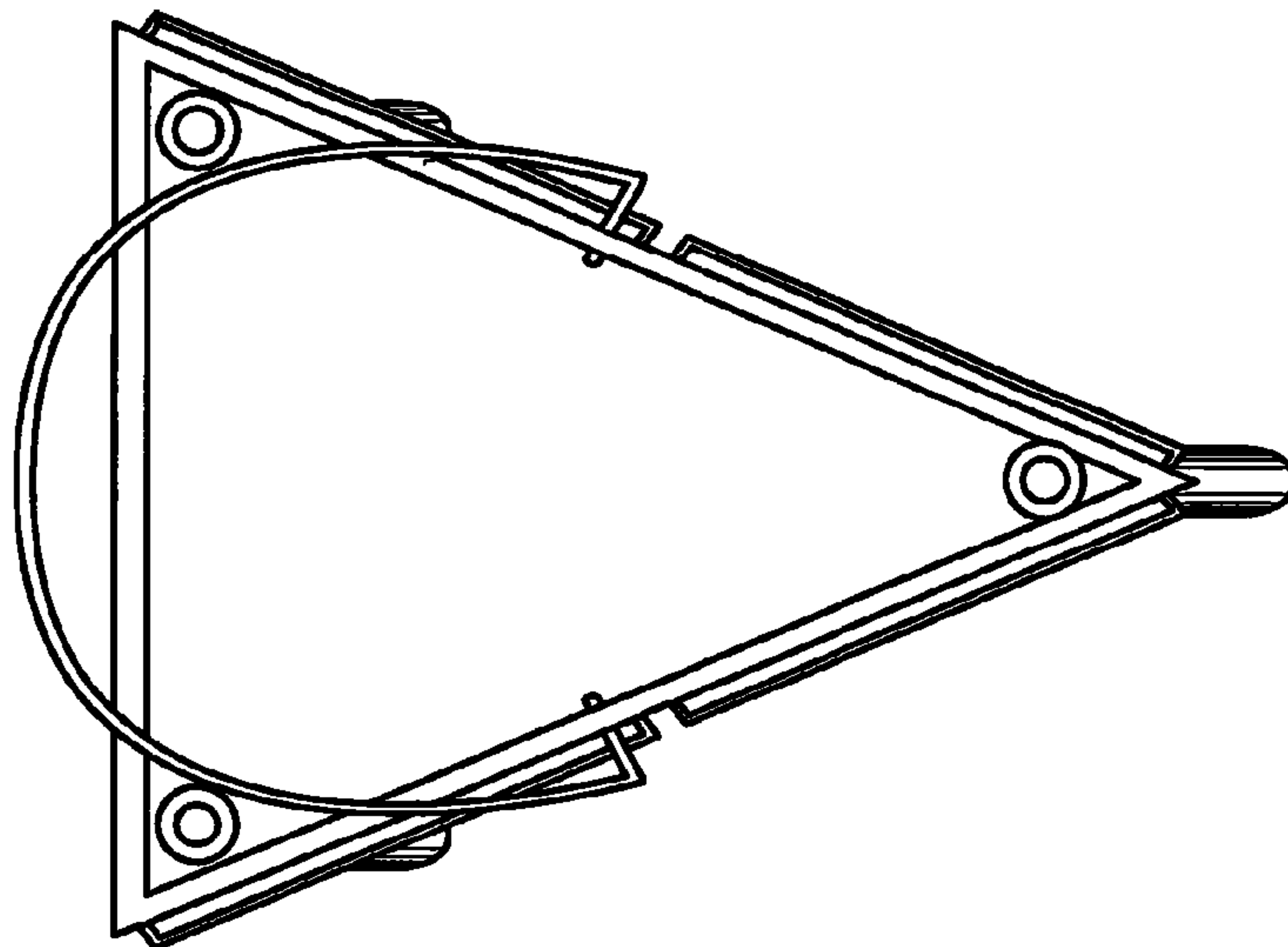


FIG 11

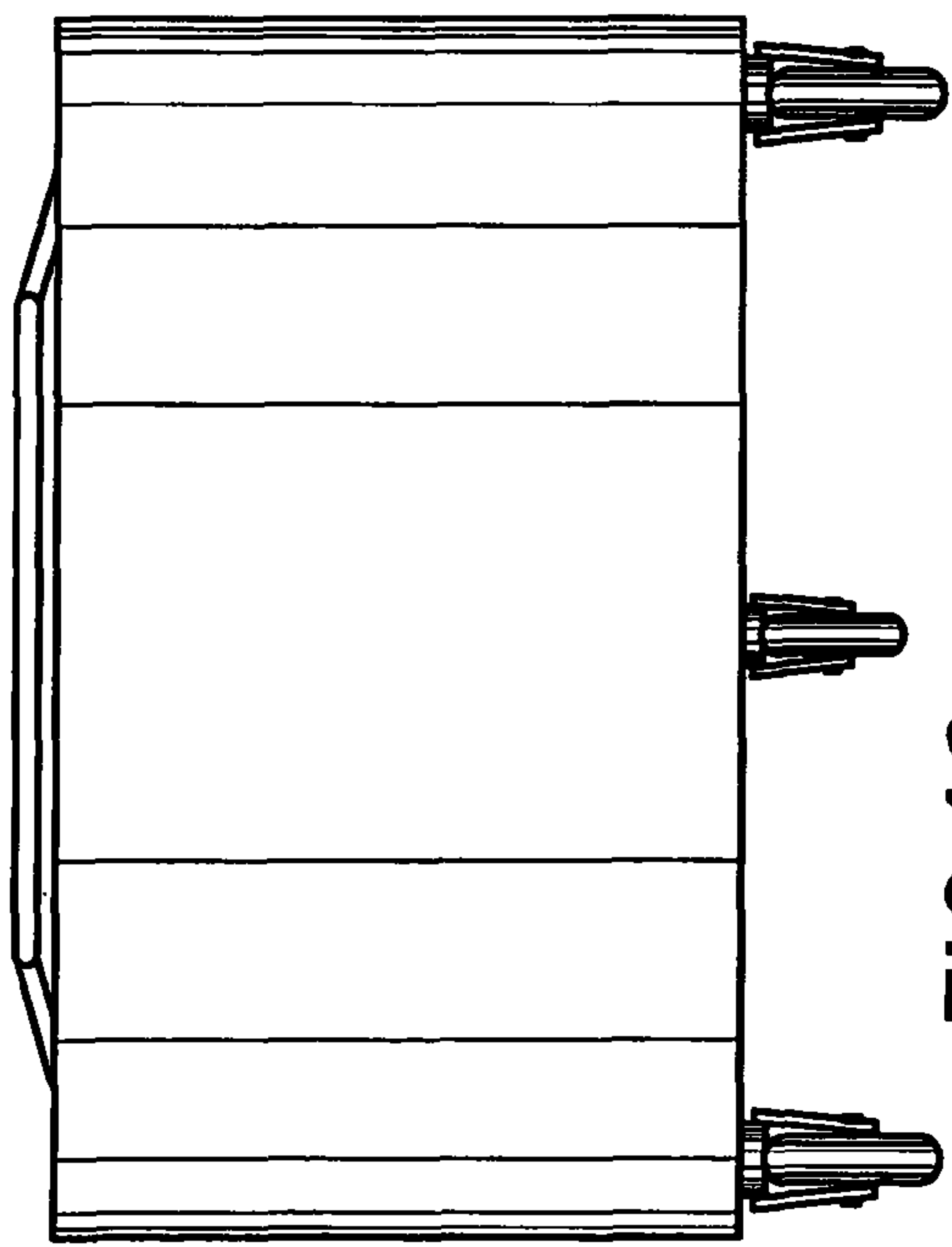


FIG 12

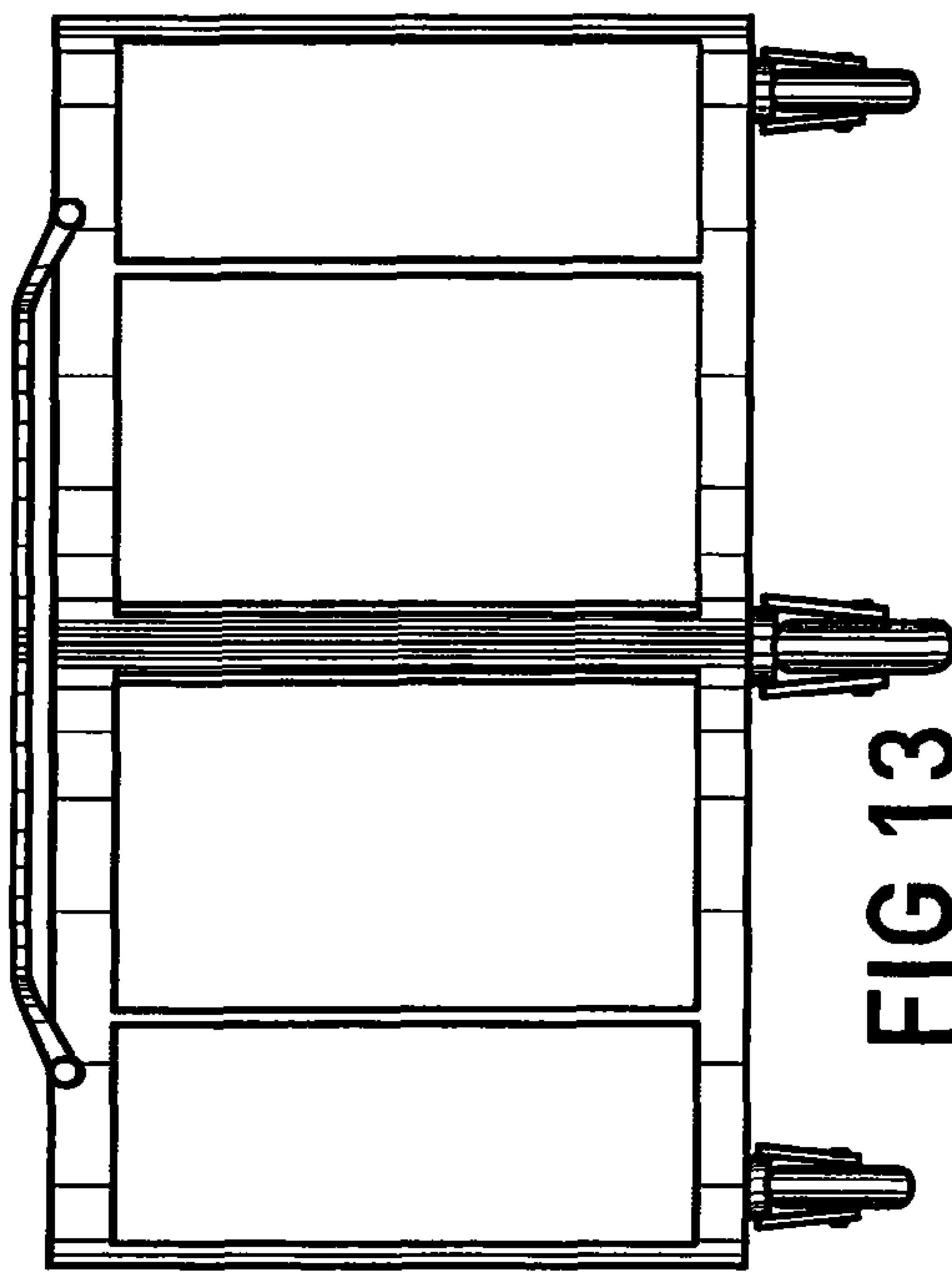


FIG 13

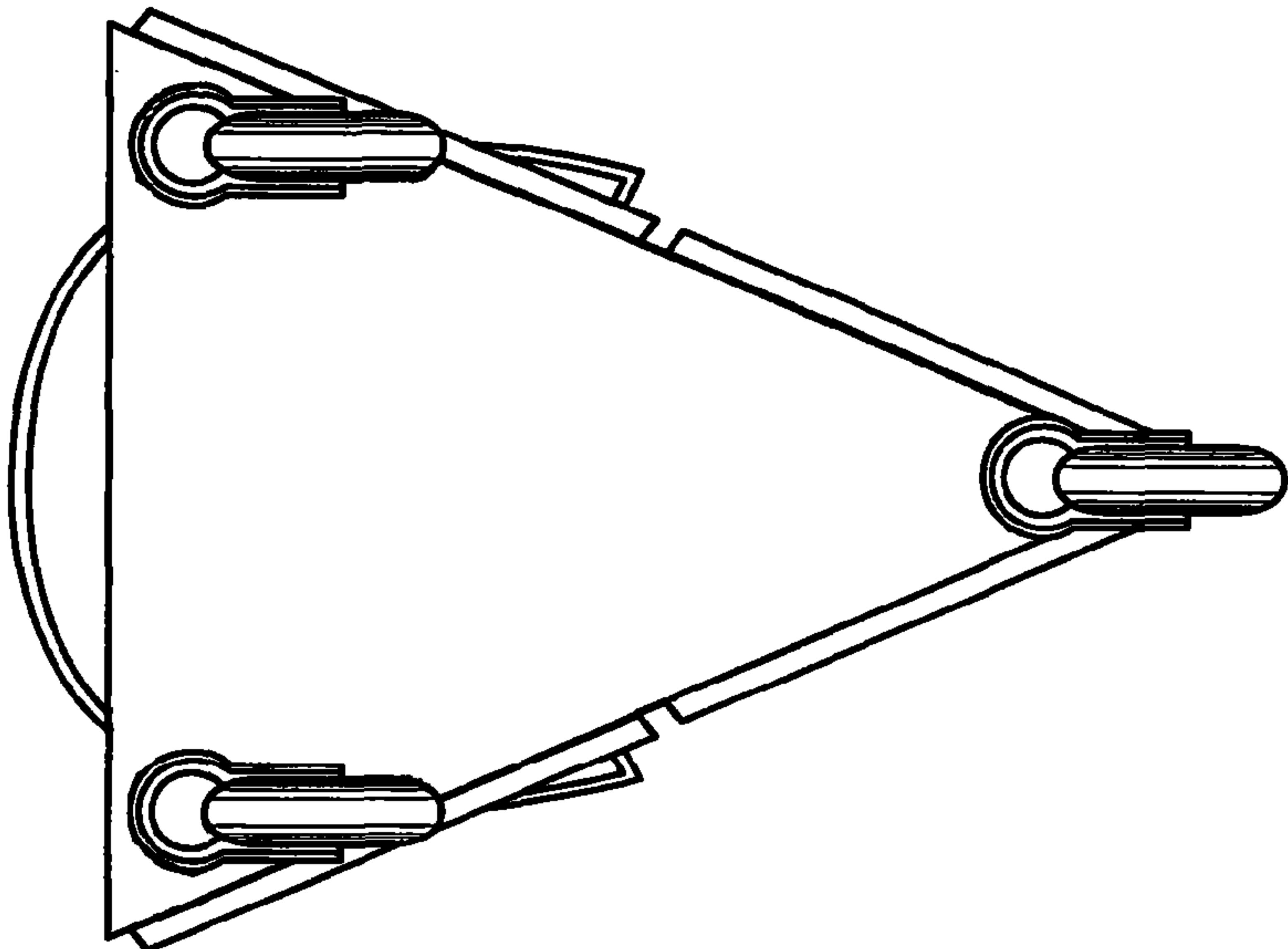


FIG 14