



US00D634496S

(12) **United States Design Patent**
Porco

(10) **Patent No.:** **US D634,496 S**
(45) **Date of Patent:** **** Mar. 15, 2011**

(54) **PORTABLE COMPACT SQUEEGEE**

D564,161 S 3/2008 Talesfore et al.
D603,116 S * 10/2009 Antonello et al. D32/41
2007/0044264 A1 3/2007 Argo et al.

(76) Inventor: **Tony Porco**, Steubenville, OH (US)

(**) Term: **14 Years**

(21) Appl. No.: **29/365,372**

(22) Filed: **Jul. 8, 2010**

(51) **LOC (9) Cl.** **04-01**

(52) **U.S. Cl.** **D32/41**

(58) **Field of Classification Search** D32/40,
D32/41, 42, 43, 46, 48; 15/121, 245, 245.1,
15/208, 209.1

See application file for complete search history.

(56) **References Cited**

U.S. PATENT DOCUMENTS

629,851	A	8/1899	Glen	
1,117,895	A	11/1914	Osaka	
1,838,158	A	12/1931	Schwartz	
2,905,960	A *	9/1959	Ward	15/245
4,339,838	A	7/1982	Pekarek	
4,716,616	A *	1/1988	Poon	15/245
D296,946	S	7/1988	Stirling	
4,941,228	A *	7/1990	Belanger et al.	15/245
5,809,608	A	9/1998	Zadro	
D480,853	S *	10/2003	Snell	D32/41
7,311,458	B2	12/2007	Verlin	

OTHER PUBLICATIONS

WWW.DICKSSPORTINGGOODS.COM; ViewLoader Folding Squeegee; as of Jul. 7, 2010.

* cited by examiner

Primary Examiner — Robin V Webster

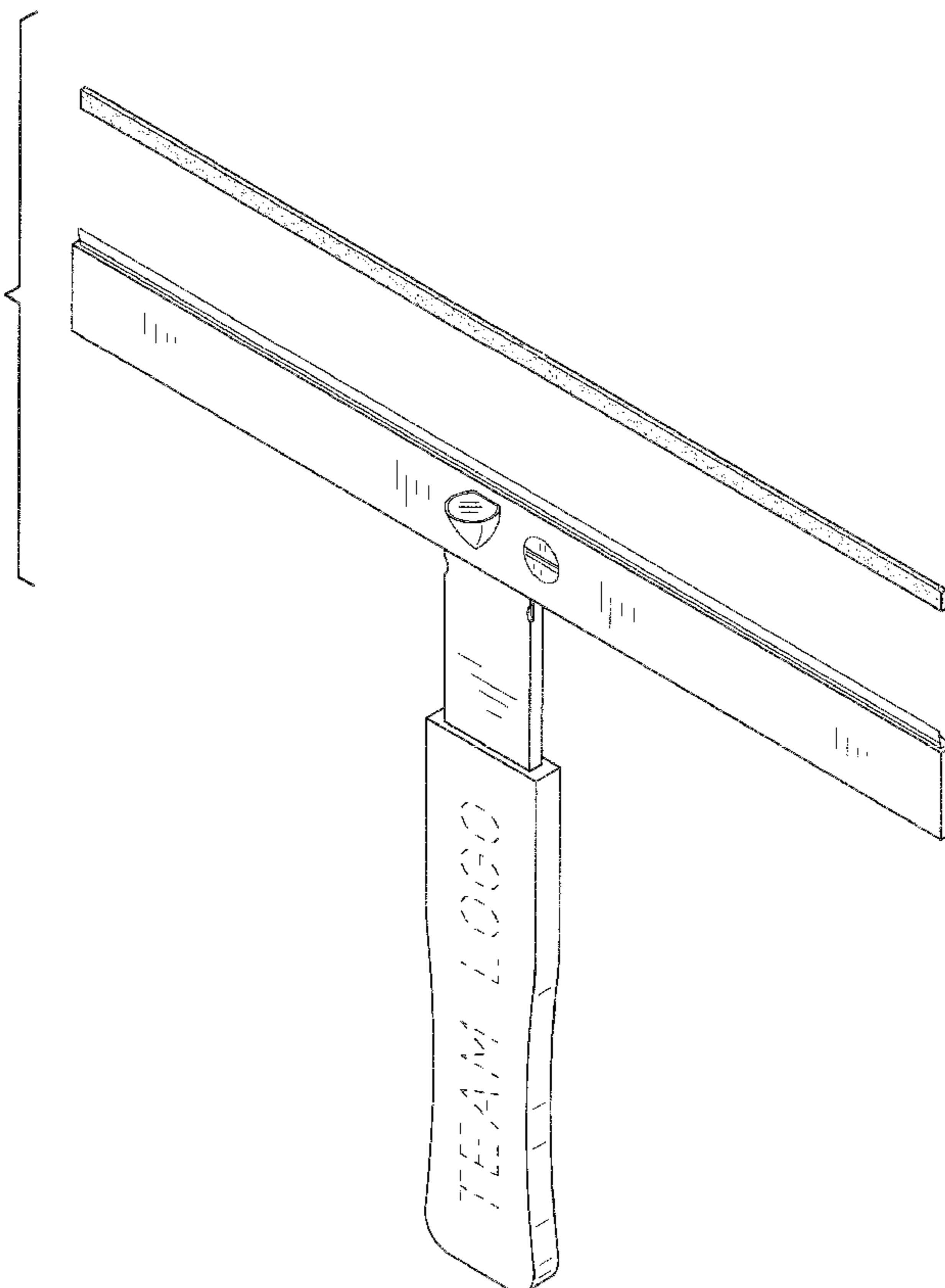
(57) **CLAIM**

The ornamental design for a portable compact squeegee, as shown and described.

DESCRIPTION

FIG. 1 is an exploded perspective view of a portable compact squeegee showing my new design; FIG. 2 is a front view thereof; FIG. 3 is a back view thereof; FIG. 4 is a side view (opposite side view is mirror image) thereof; FIG. 5 is a top view thereof; and, FIG. 6 is a bottom view thereof. In FIGS. 1-3, the broken lines showing of environmental structure for purposes of illustrating the portable compact squeegee in a condition of use. The broken lines and the structure they depict form no part of the claimed design.

1 Claim, 4 Drawing Sheets



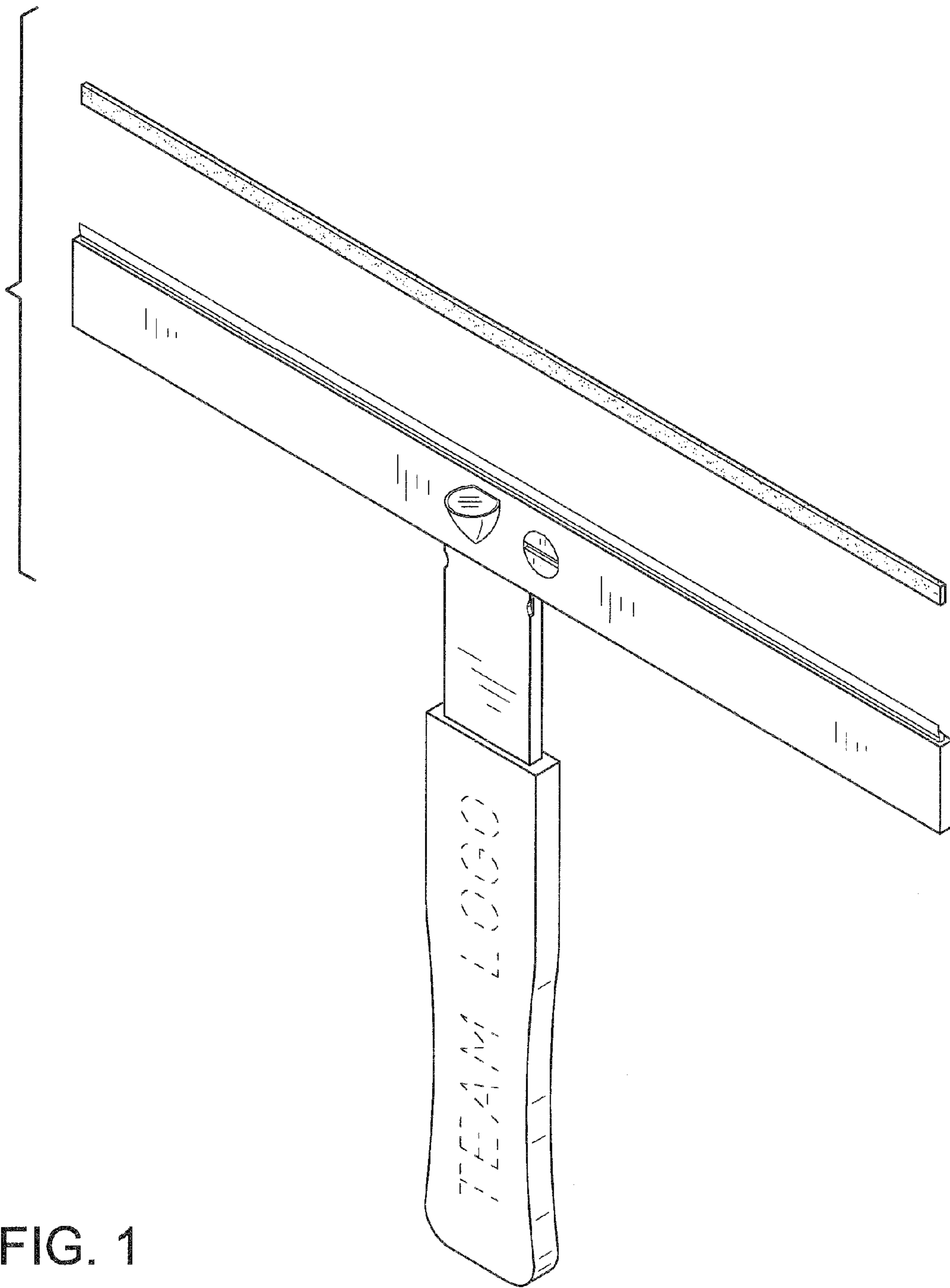


FIG. 1

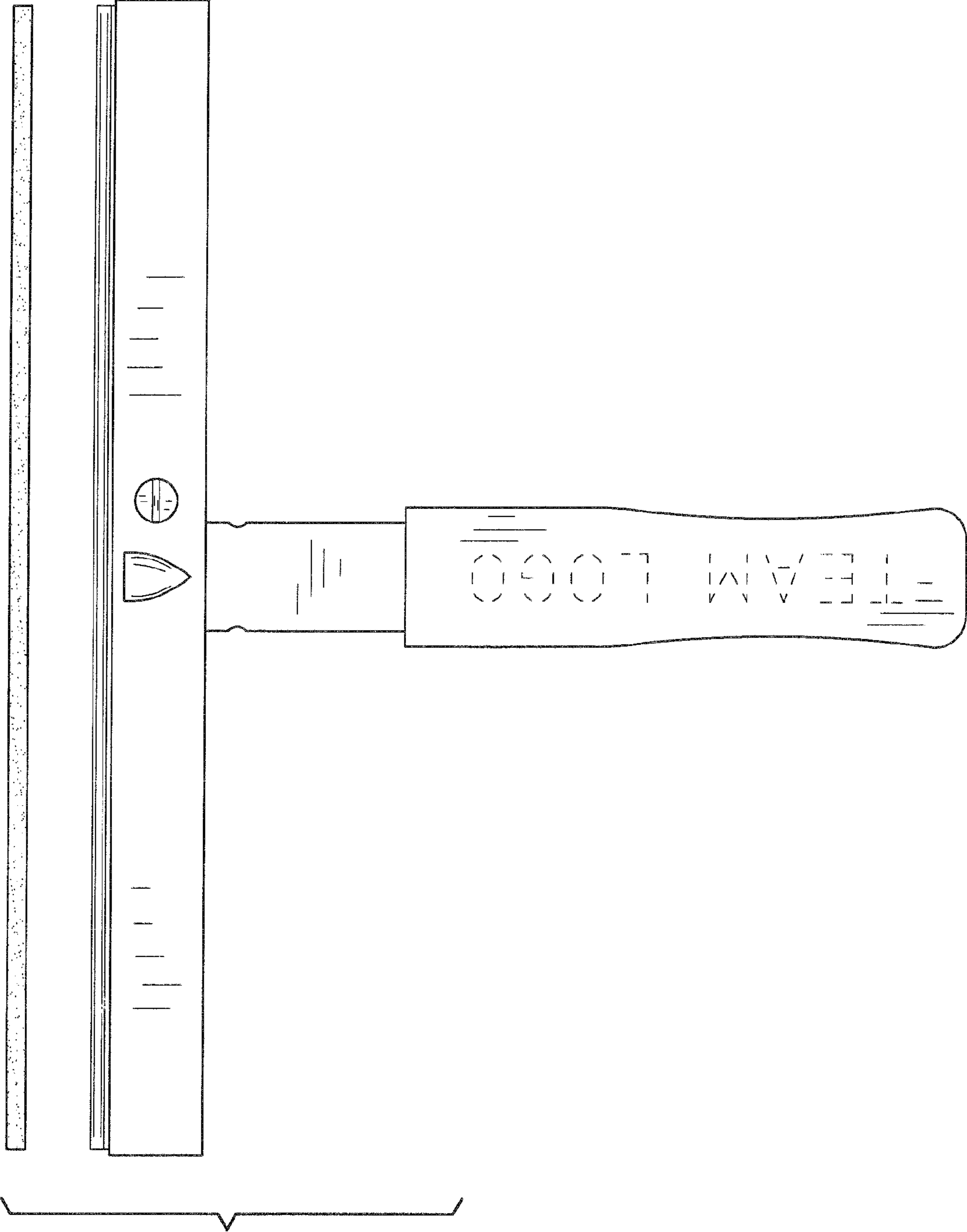


FIG. 2

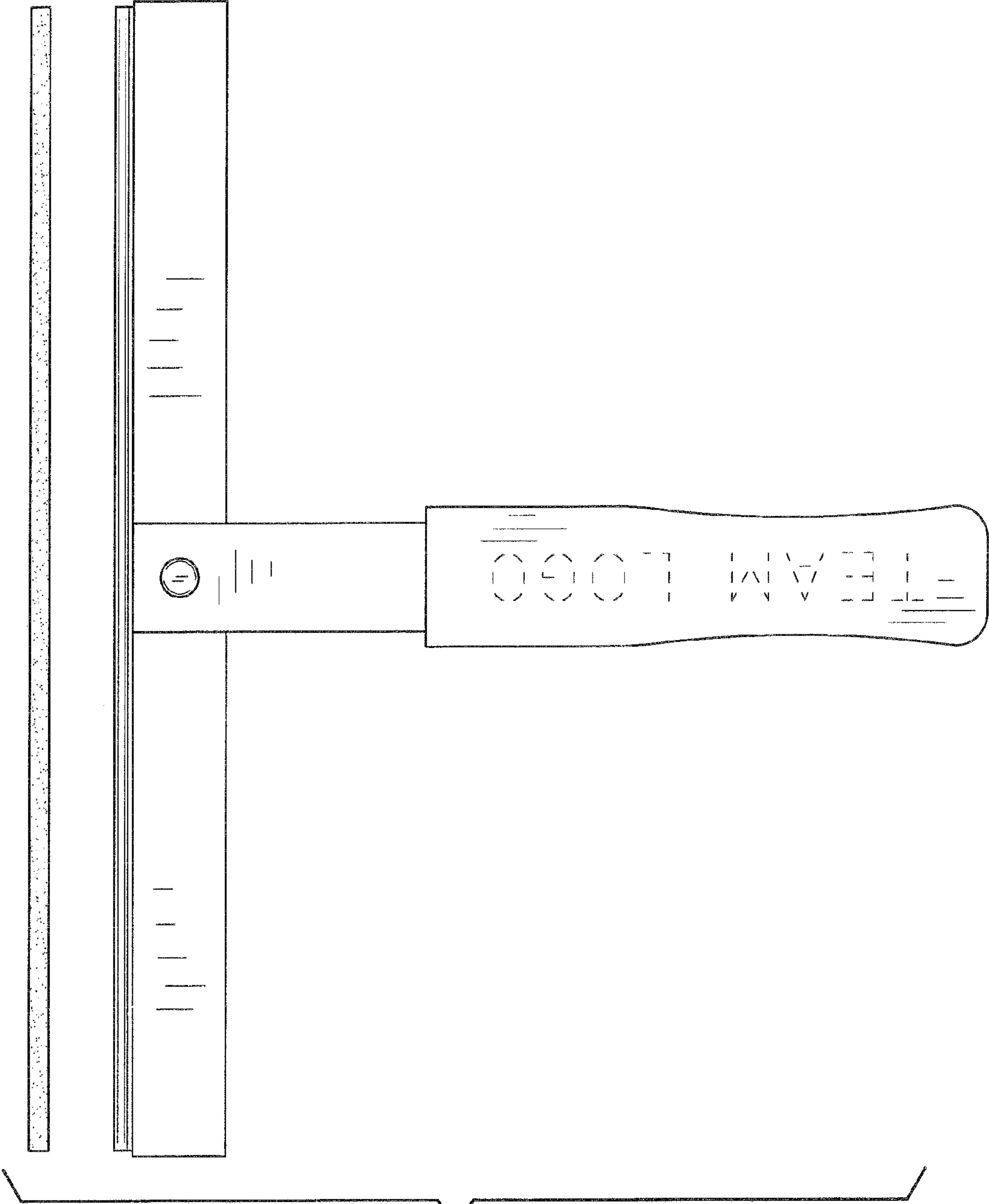


FIG. 3

FIG. 4

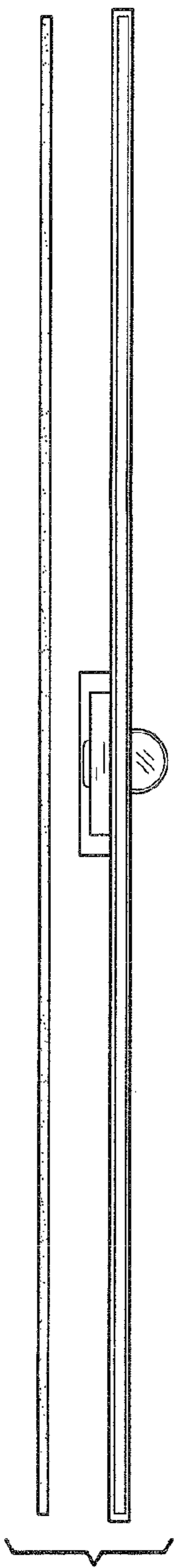
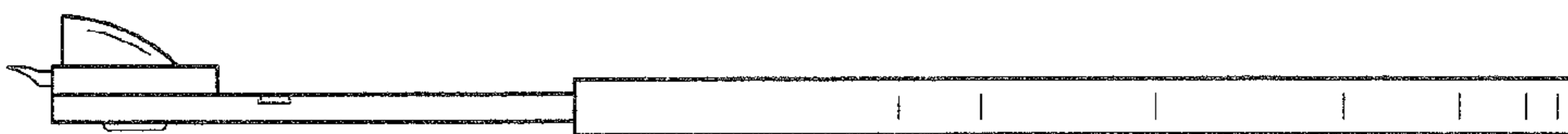
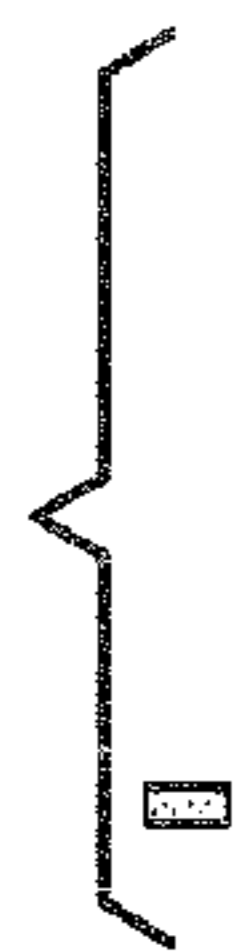


FIG. 5

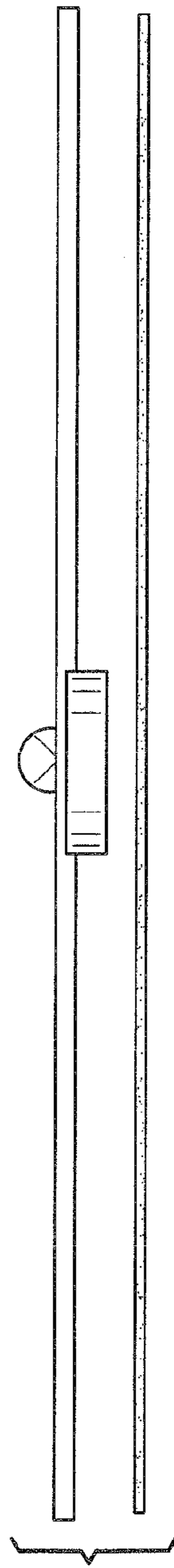


FIG. 6