



US00D634494S

(12) **United States Design Patent**
Theising et al.

(10) **Patent No.:** **US D634,494 S**
(45) **Date of Patent:** **** Mar. 15, 2011**

(54) **COMBINED WET/DRY VACUUM CLEANER**

(75) Inventors: **John L. Theising**, St. Peters, MO (US);
Shane Glasgow, Saint Ann, MO (US);
Douglas K. Ritterling, Chesterfield, MO (US)

(73) Assignee: **Emerson Electric Co.**, St. Louis, MO (US)

(**) Term: **14 Years**

(21) Appl. No.: **29/350,430**

(22) Filed: **Nov. 17, 2009**

(51) **LOC (9) Cl.** **15-05**

(52) **U.S. Cl.** **D32/31**

(58) **Field of Classification Search** D32/21,
D32/23-24, 31; 15/327.1, 327.2, 327.6,
15/327.7, 344, 353, 320-321; 55/DIG. 3
See application file for complete search history.

(56) **References Cited**

U.S. PATENT DOCUMENTS

D357,336 S	4/1995	Moine et al.	
D357,773 S	4/1995	Wareham et al.	
D361,179 S	8/1995	Moine et al.	
D362,091 S	9/1995	Tomasiak et al.	
5,606,769 A	3/1997	Tomasiak et al.	
5,611,107 A	3/1997	Tomasiak et al.	
6,055,700 A	5/2000	Holsten et al.	
D426,355 S	6/2000	Rohn et al.	
D426,687 S	6/2000	Griffin et al.	
6,158,083 A	12/2000	Holsten	
D438,353 S *	2/2001	Hoshino et al.	D32/23
D443,739 S	6/2001	Young et al.	
D446,892 S	8/2001	Griffin	
D447,842 S	9/2001	Griffin	
6,347,429 B1	2/2002	Hult et al.	

6,385,809 B1	5/2002	Martin et al.	
D470,279 S	2/2003	Griffin et al.	
6,543,085 B2	4/2003	Holsten et al.	
D479,023 S	8/2003	Holsten et al.	
D479,371 S	9/2003	Griffin et al.	
D486,280 S *	2/2004	Holsten et al.	D32/23
D492,823 S *	7/2004	Hoshino et al.	D32/23
D492,824 S *	7/2004	Tomasiak et al.	D32/23
D519,251 S *	4/2006	Hoshino et al.	D32/23
D542,989 S	5/2007	Weinberg et al.	
D568,013 S *	4/2008	Crevling et al.	D32/23
D569,066 S *	5/2008	Crevling et al.	D32/31
D587,414 S	2/2009	Griffin et al.	
D591,467 S	4/2009	Griffin et al.	
D614,369 S *	4/2010	Theising et al.	D32/31
D615,259 S *	5/2010	Theising et al.	D32/31

* cited by examiner

Primary Examiner — Ruth McInroy

(74) *Attorney, Agent, or Firm* — Locke Lord Bissell & Liddell LLP

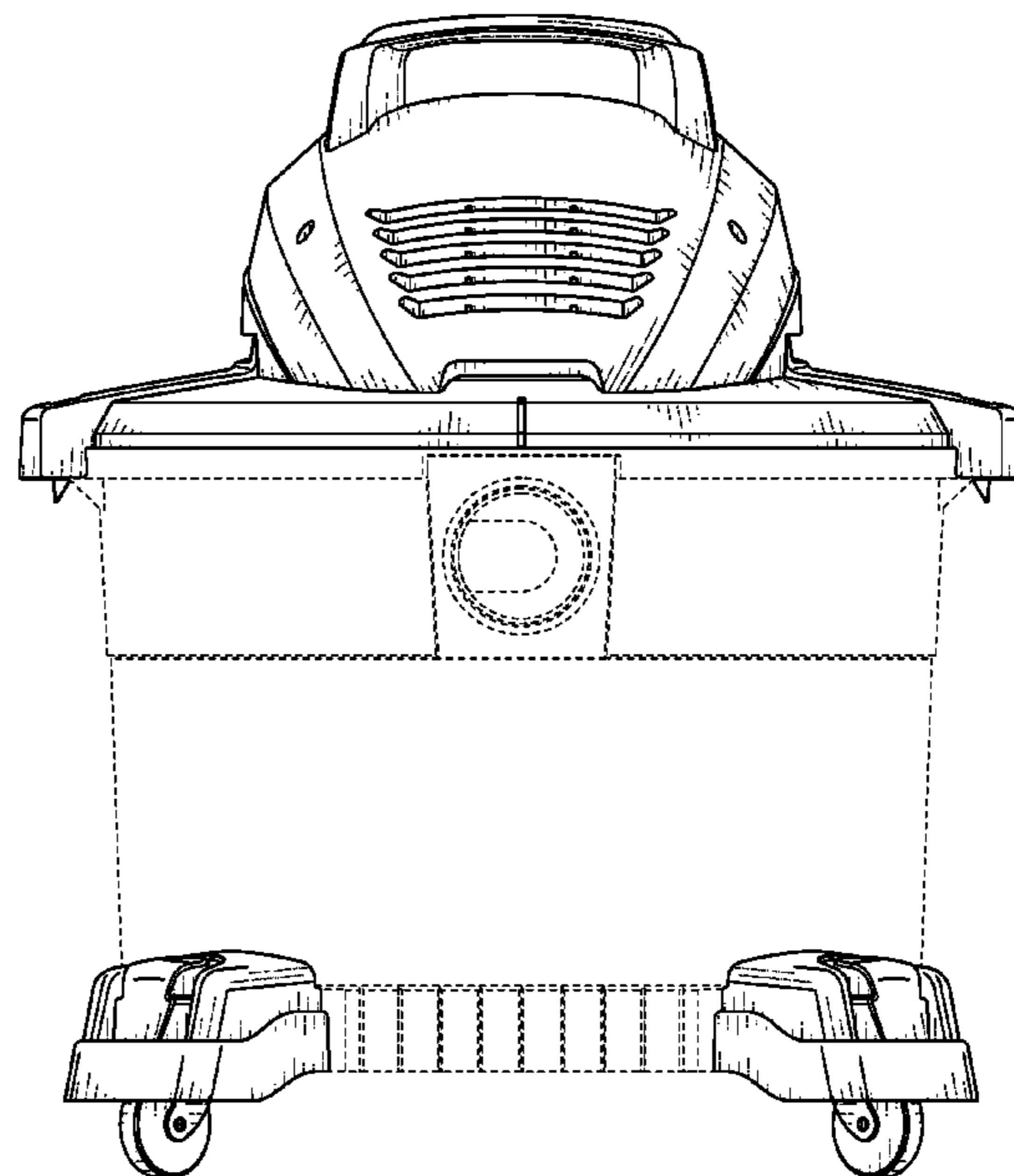
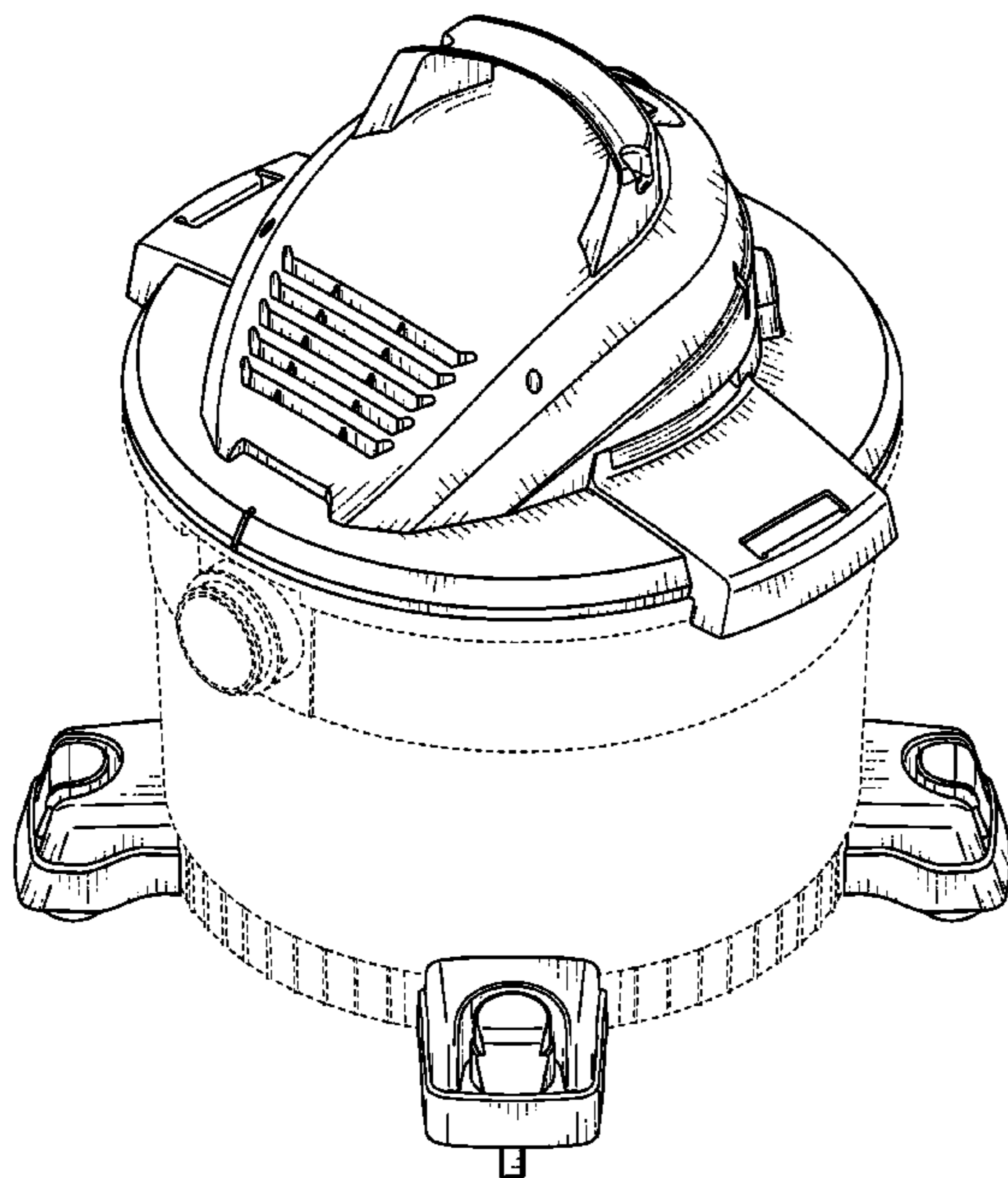
(57) **CLAIM**

The ornamental design for a combined wet/dry vacuum cleaner, as shown and described.

DESCRIPTION

FIG. 1 is a front perspective view of a combined wet/dry vacuum cleaner, showing our design;
FIG. 2 is a front view thereof;
FIG. 3 is a rear view thereof;
FIG. 4 is a side view thereof;
FIG. 5 is a side view of the opposite side of FIG. 4;
FIG. 6 is a top view thereof; and,
FIG. 7 is a bottom view thereof.
The broken lines of FIGS. 1-7 are for illustrative purposes only and form no part of the claimed design.

1 Claim, 7 Drawing Sheets



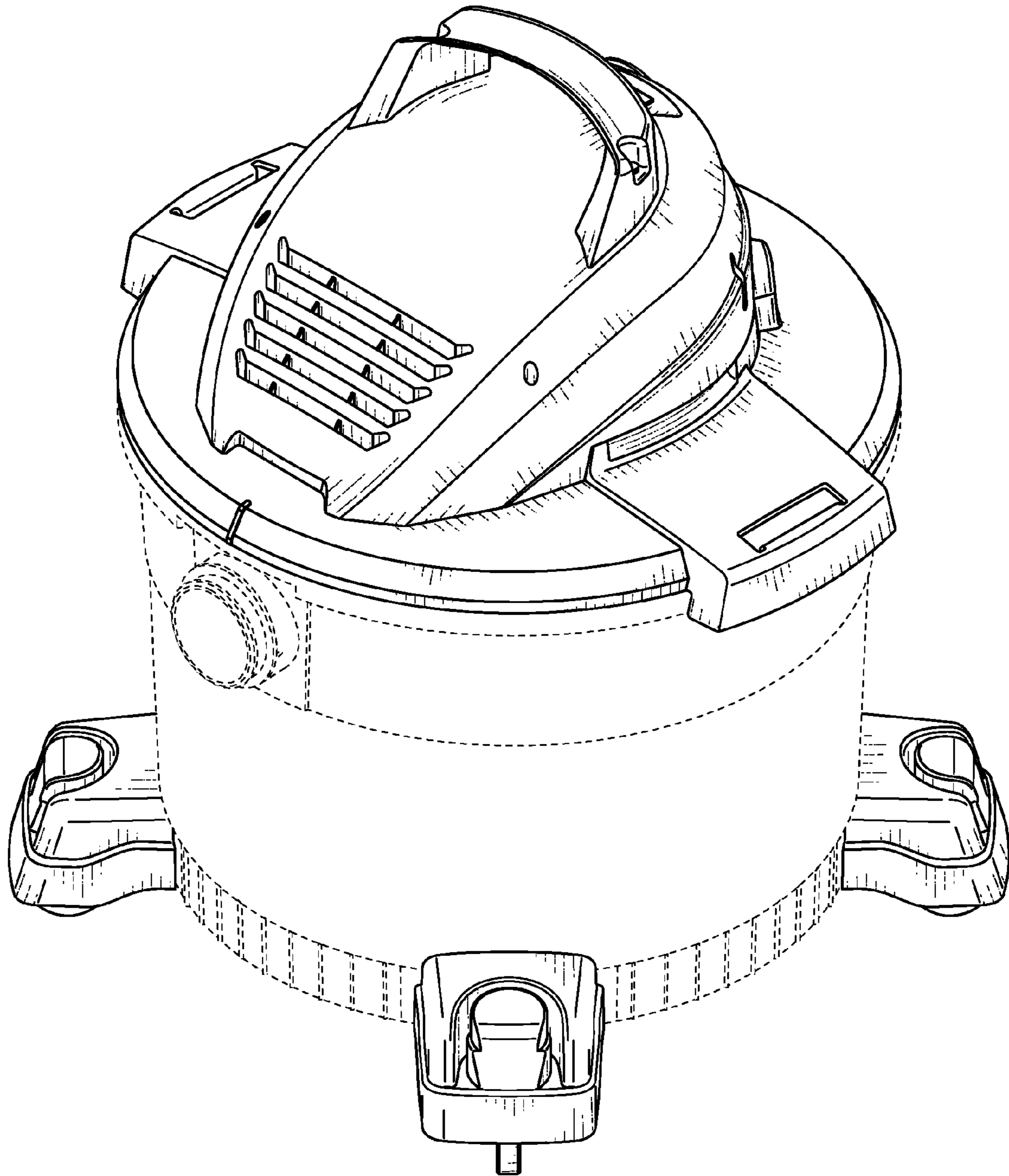


FIG. 1

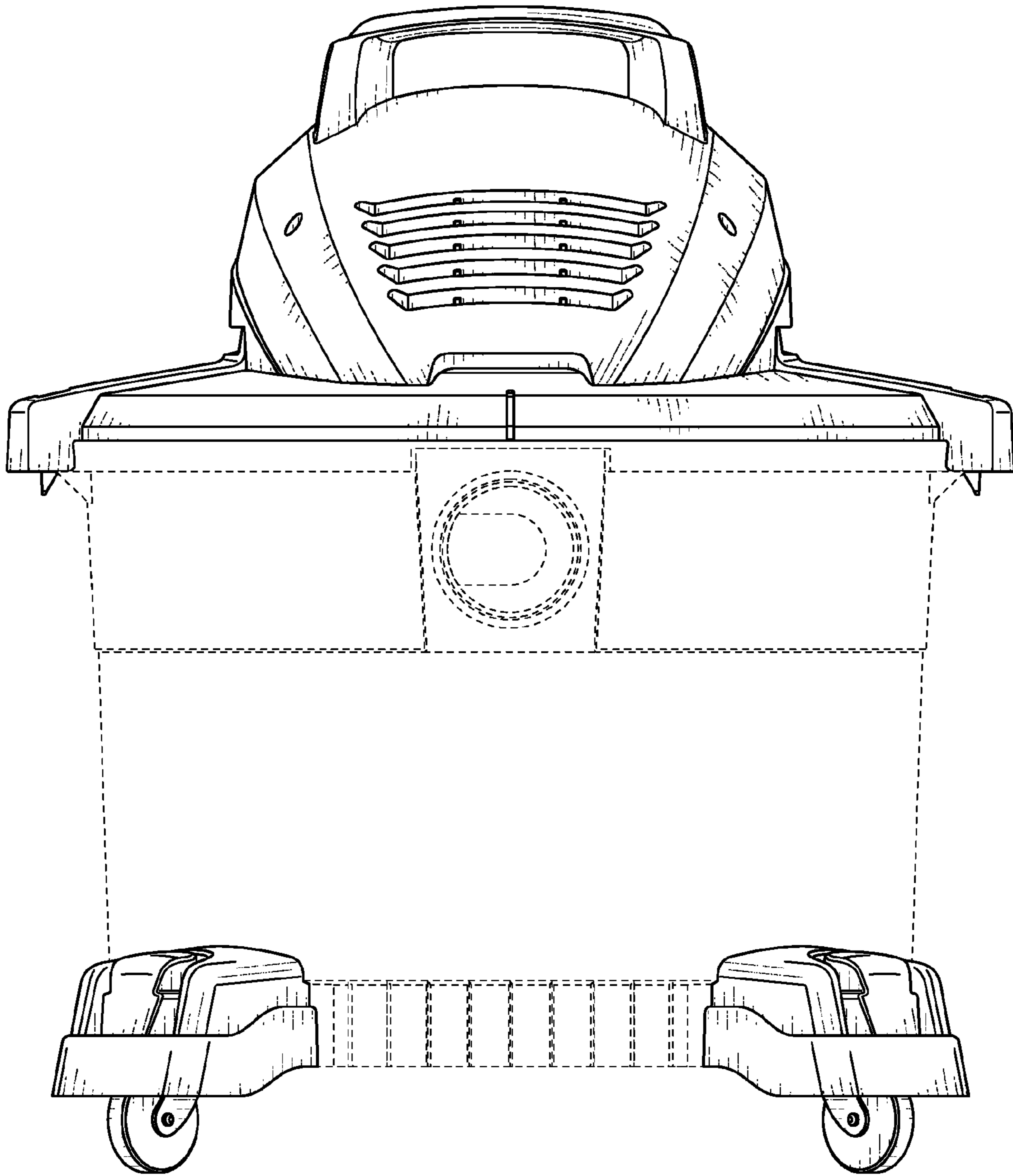


FIG. 2

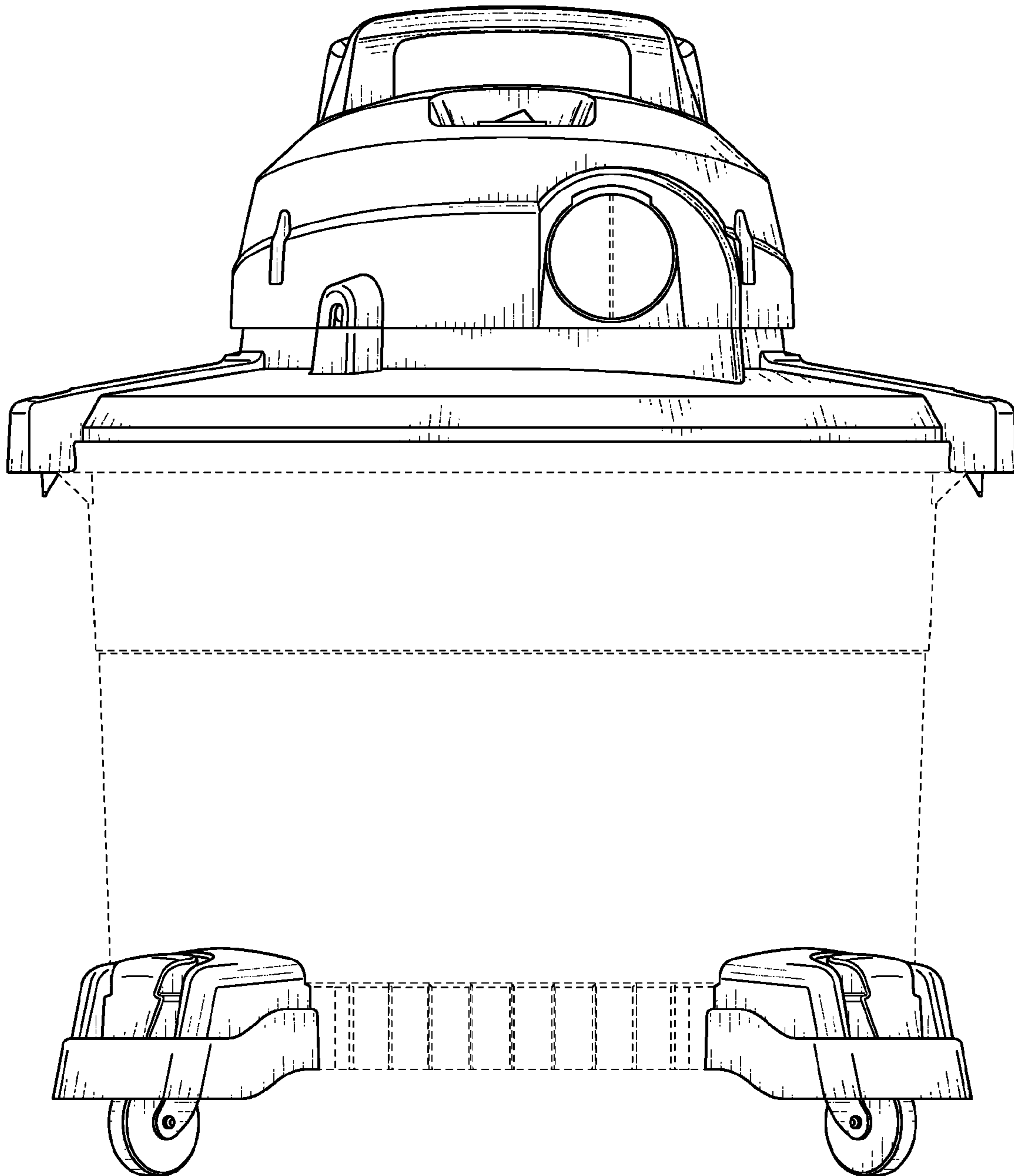


FIG. 3

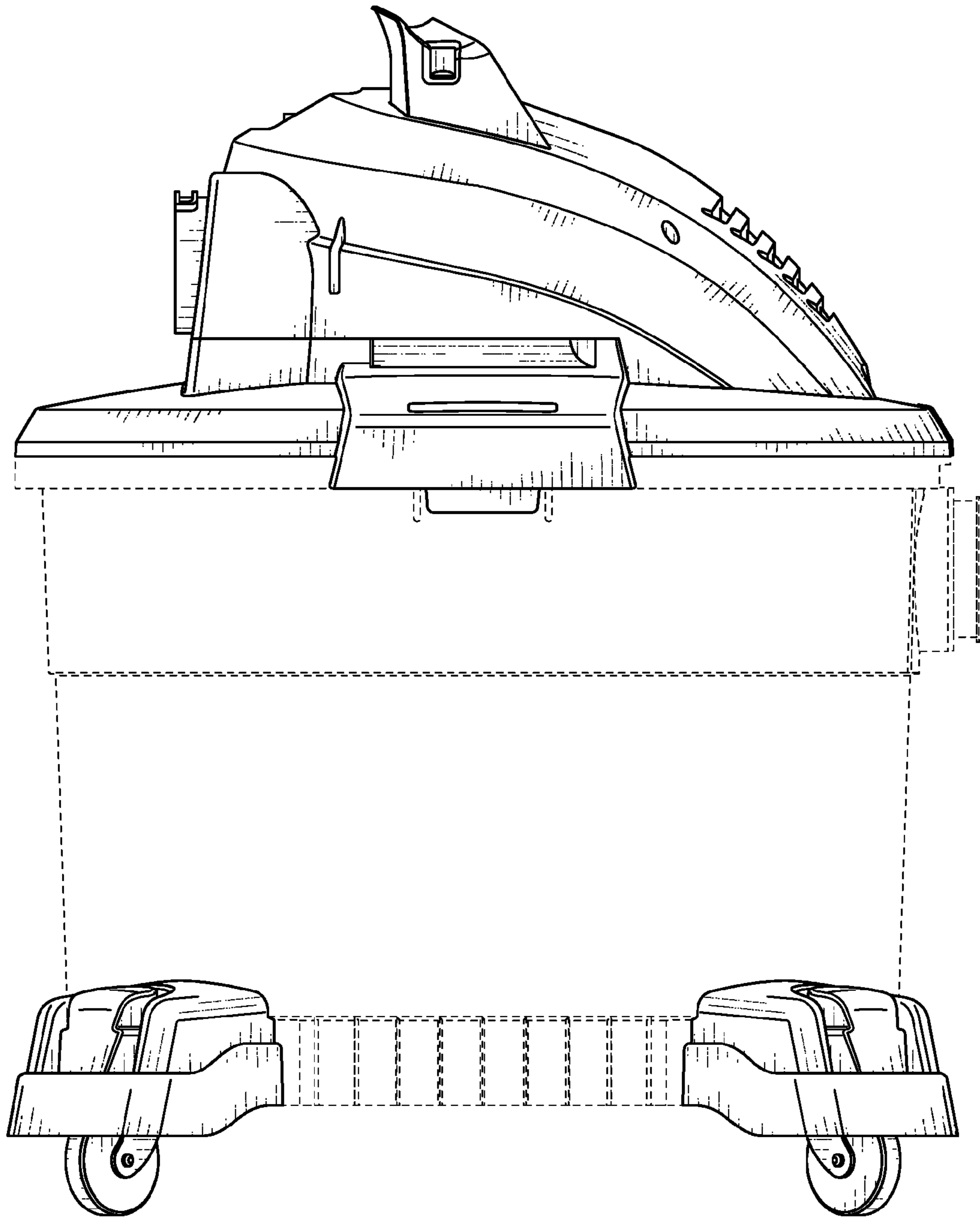


FIG. 4

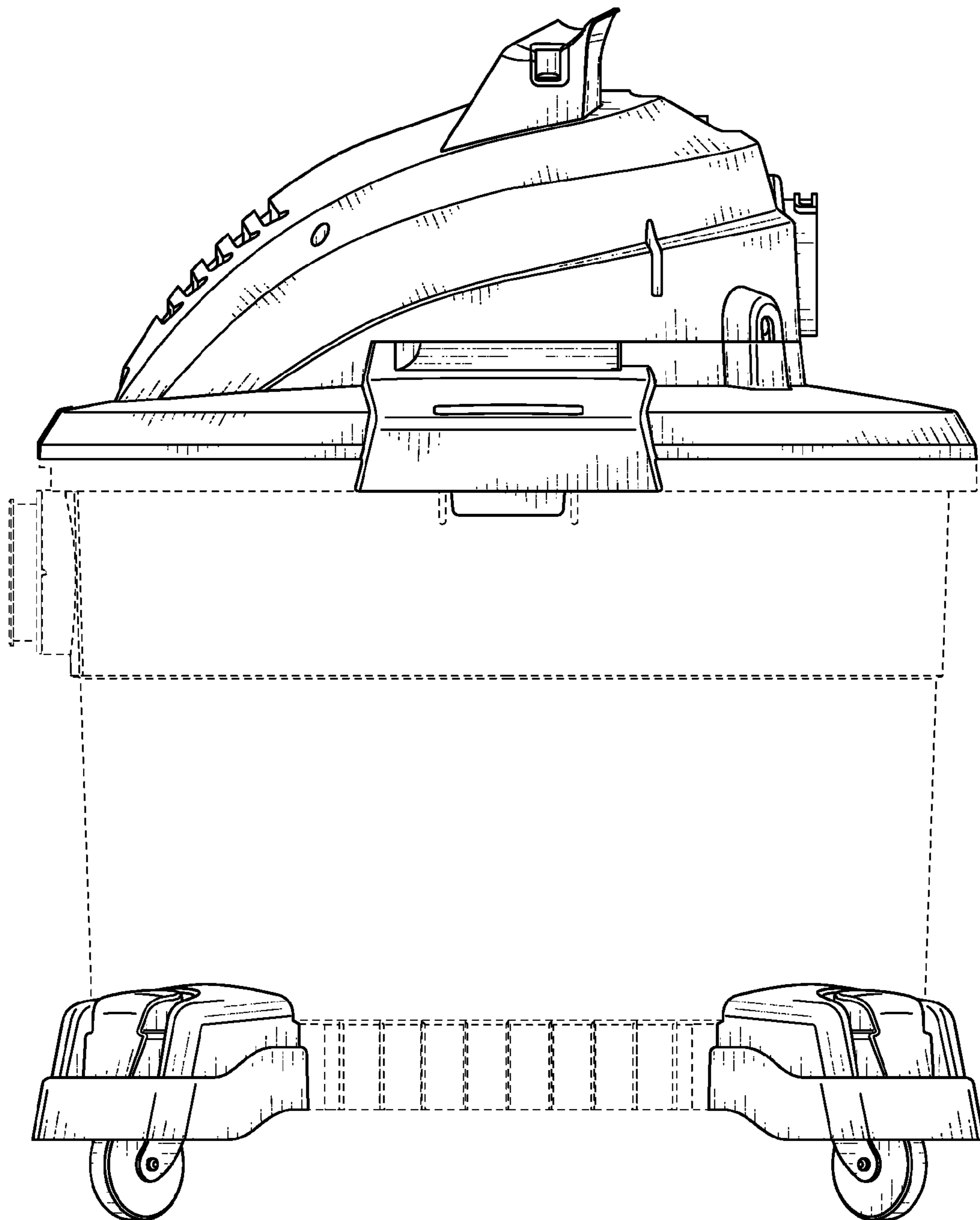


FIG. 5

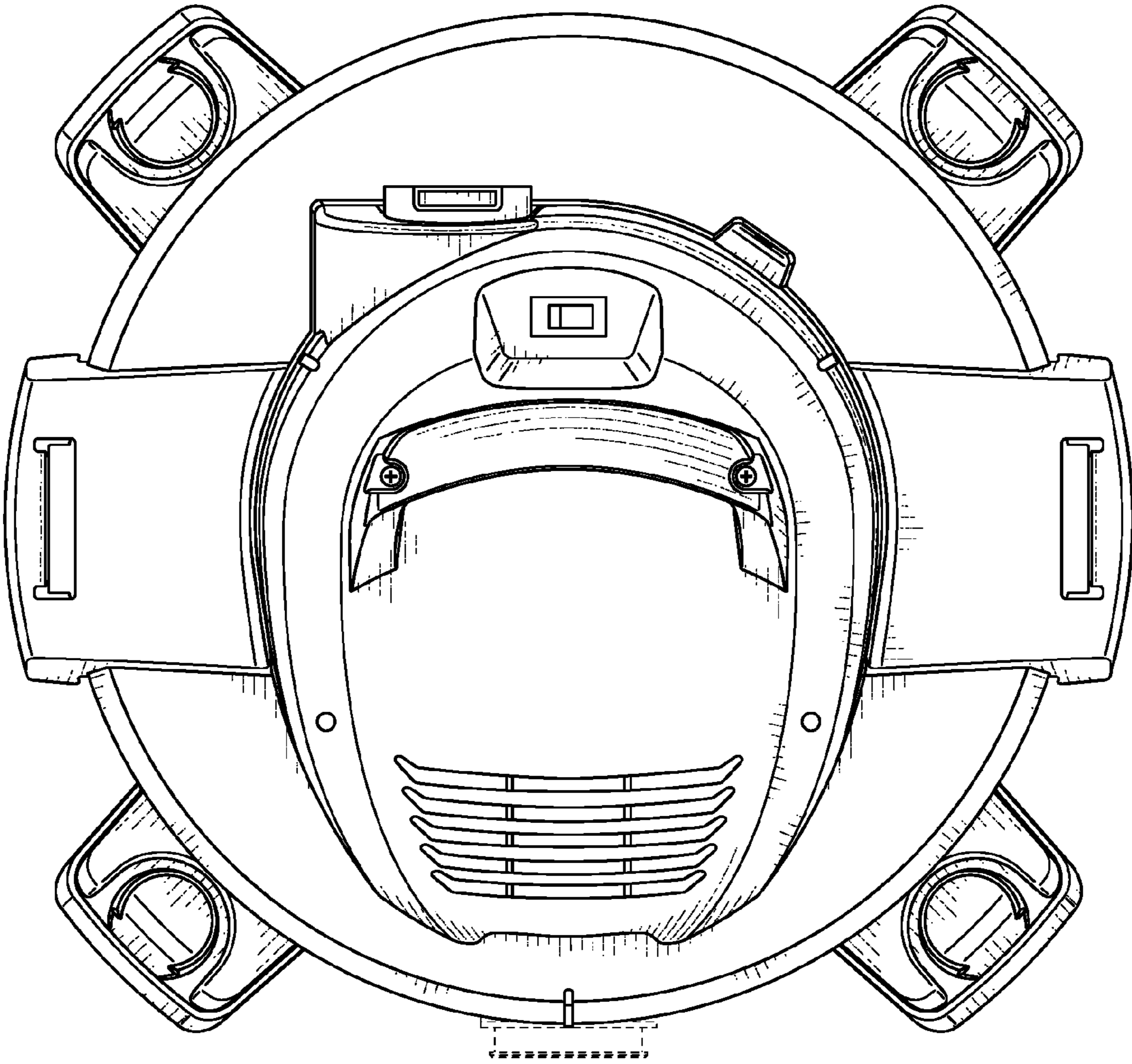


FIG. 6

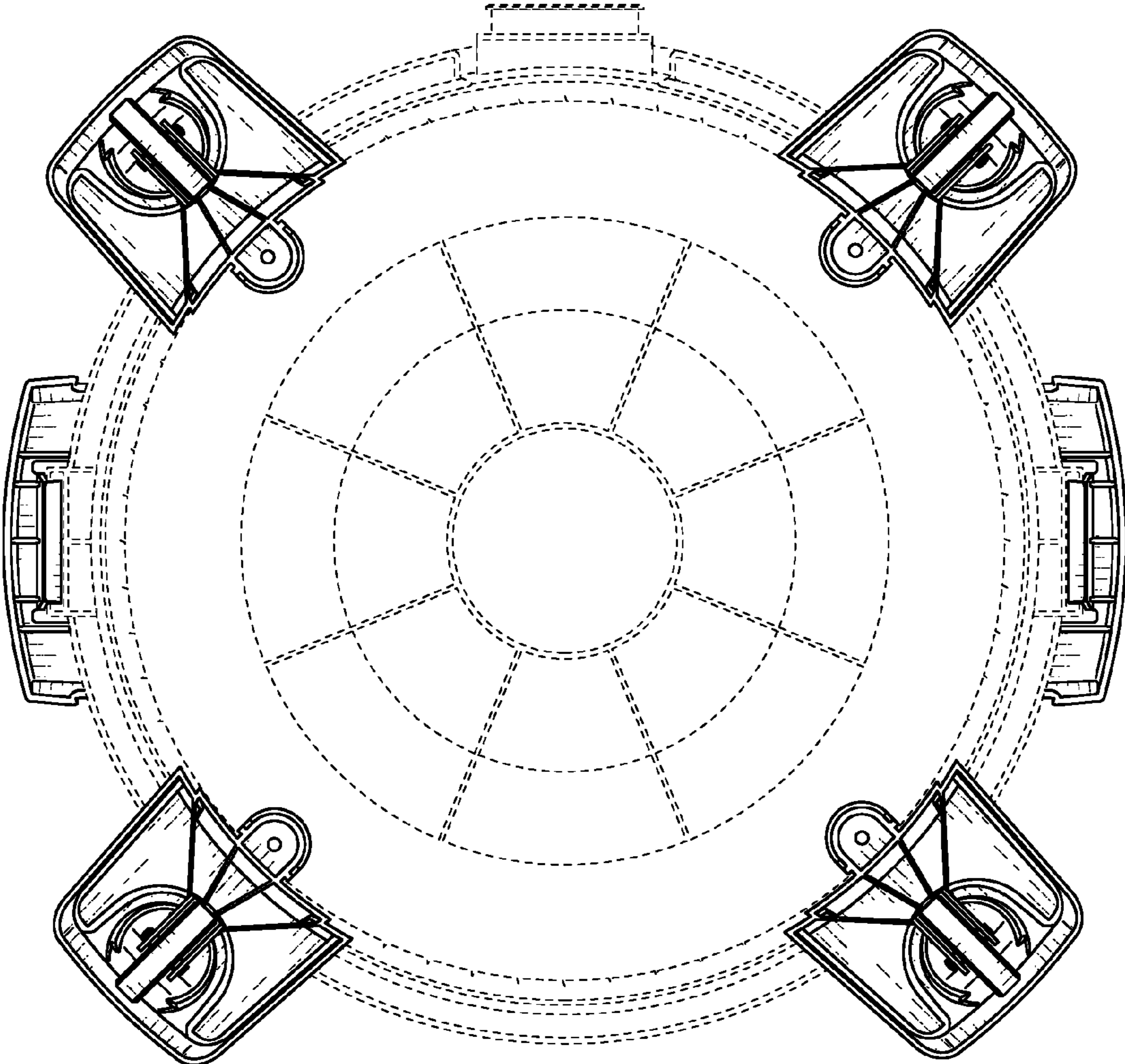


FIG. 7