



US00D634492S

(12) **United States Design Patent**
Chung et al.

(10) **Patent No.:** **US D634,492 S**
(45) **Date of Patent:** **** Mar. 15, 2011**

(54) **WASHING MACHINE**

(75) Inventors: **Wook Jun Chung**, Seoul (KR); **Min Dong**, Seoul (KR); **Jong Hee Han**, Gyeonggi-do (KR); **Tae Woo Yoo**, Seoul (KR)

(73) Assignee: **LG Electronics Inc.**, Seoul (KR)

(**) Term: **14 Years**

(21) Appl. No.: **29/355,959**

(22) Filed: **Feb. 17, 2010**

(30) **Foreign Application Priority Data**

Aug. 19, 2009 (KR) 30-2009-0036582

(51) **LOC (9) Cl.** **15-05**

(52) **U.S. Cl.** **D32/6**

(58) **Field of Classification Search** D32/1,
D32/5-6, 8; 68/3 R, 5 R, 12.01, 12.09; 34/87-88,
34/524, 534; 312/31

See application file for complete search history.

(56) **References Cited**

U.S. PATENT DOCUMENTS

D536,143 S * 1/2007 Takase et al. D32/5
D581,165 S * 11/2008 Moskovich D4/108
D582,106 S * 12/2008 Kim et al. D32/6

D582,107 S * 12/2008 Ha et al. D32/6
D584,865 S * 1/2009 Kim et al. D32/6
D589,215 S * 3/2009 Cho et al. D32/6
D614,821 S * 4/2010 Cho et al. D32/6

* cited by examiner

Primary Examiner — T. Chase Nelson

Assistant Examiner — Kathleen M Sims

(74) *Attorney, Agent, or Firm* — Birch, Stewart, Kolasch & Birch, LLP

(57) **CLAIM**

The ornamental design for a washing machine, as shown and described.

DESCRIPTION

FIG. 1 is a perspective view of a washing machine showing our new design;

FIG. 2 is a front view thereof;

FIG. 3 is a rear view thereof;

FIG. 4 is a left side view thereof;

FIG. 5 is a right side view thereof;

FIG. 6 is a top plan view thereof;

FIG. 7 is a bottom plan view thereof; and,

FIG. 8 is a perspective view thereof showing the washing machine during operation with circular indicators appearing on the control panel.

The broken line showing is for illustrative purposes only and forms no part of the claimed design.

1 Claim, 8 Drawing Sheets

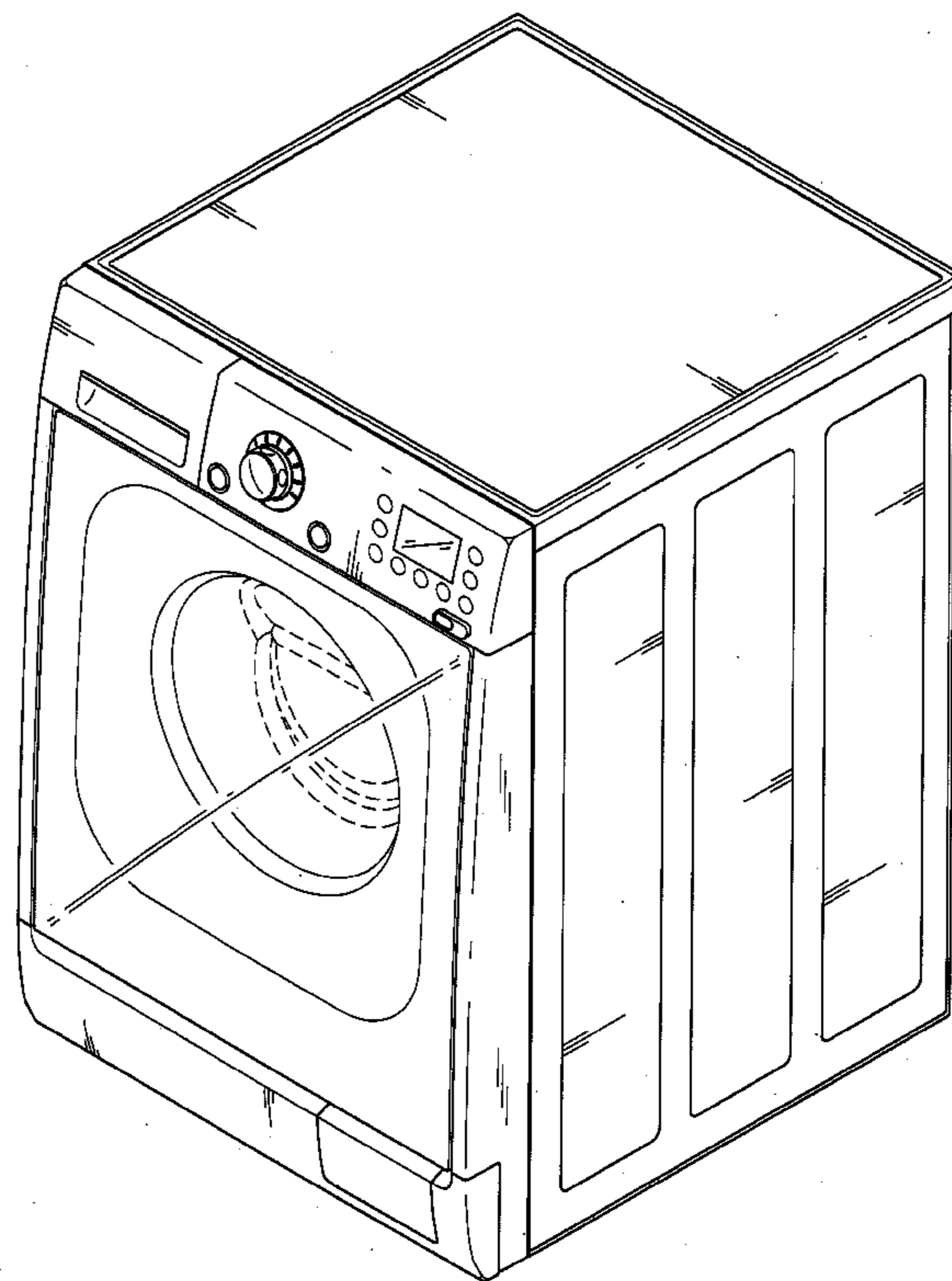
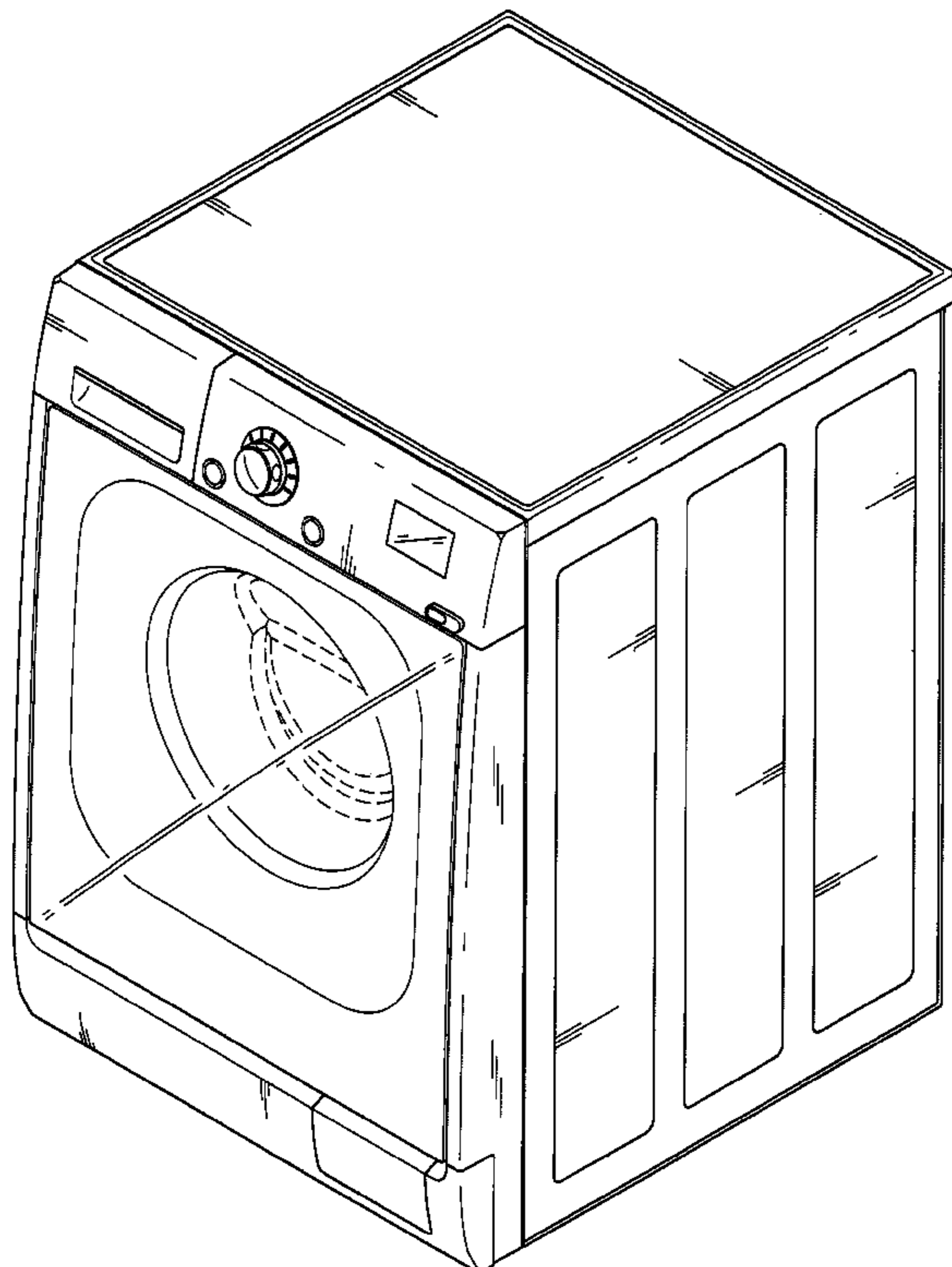


FIG. 1

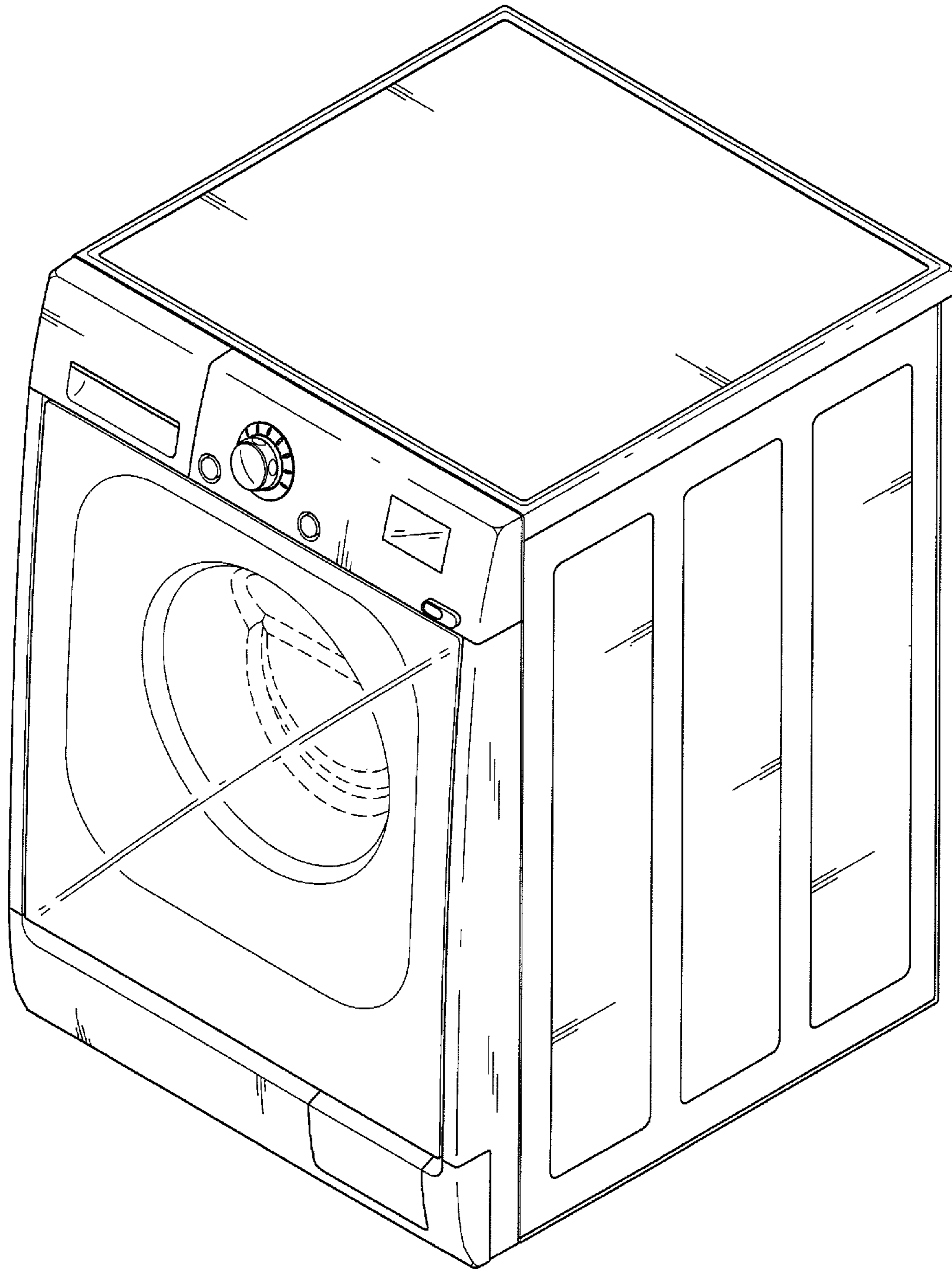


FIG. 2

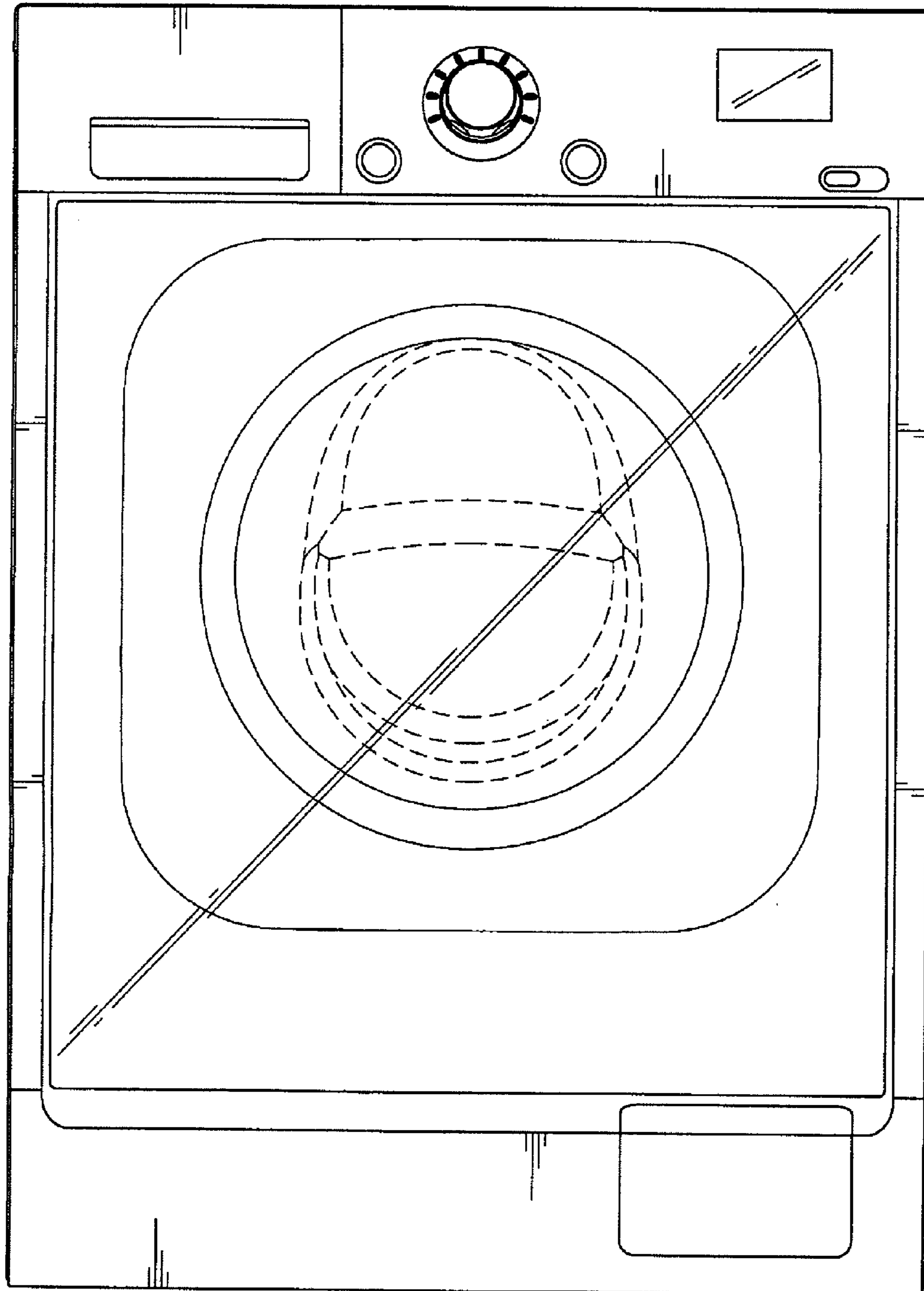


FIG. 3

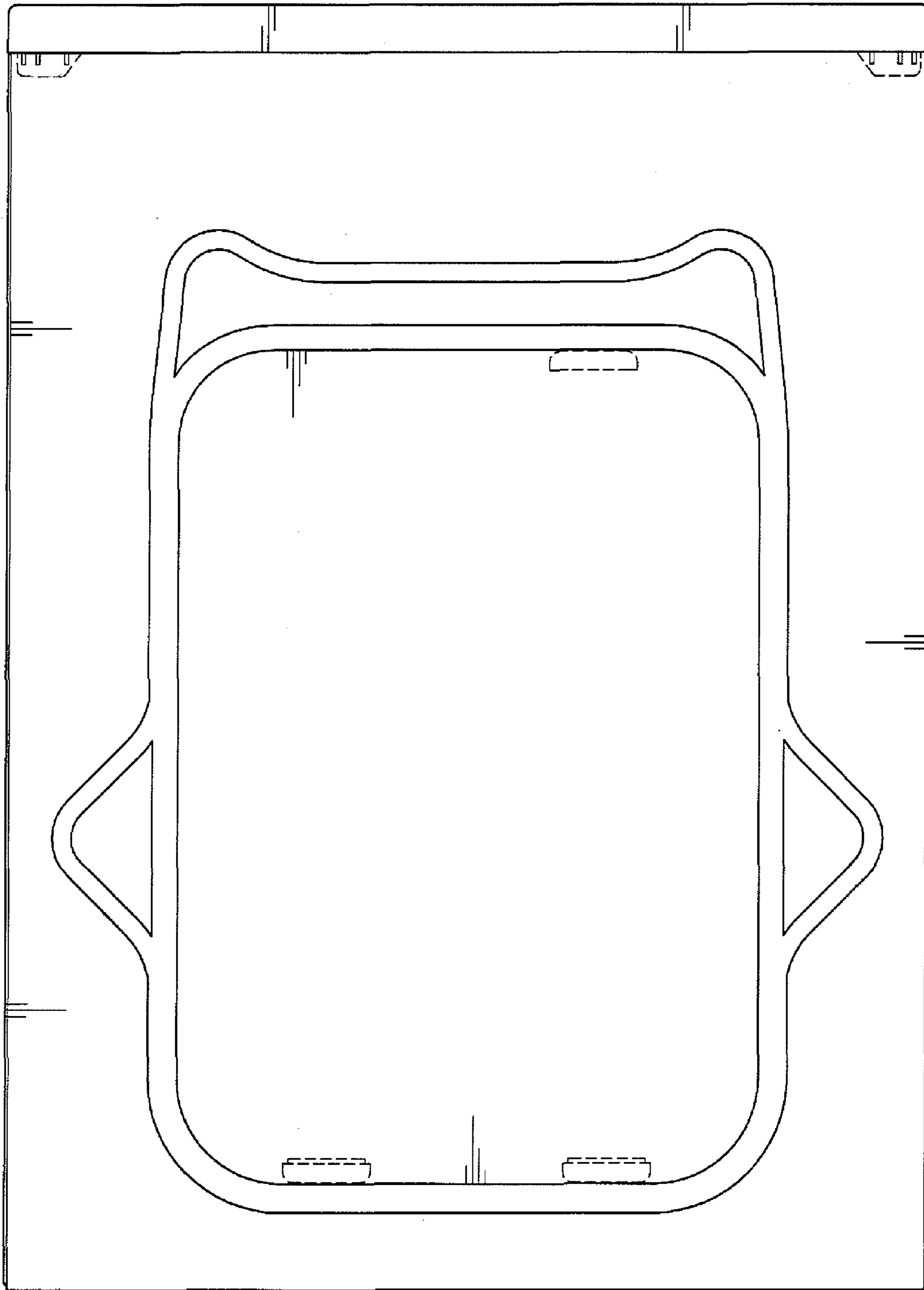


FIG. 4



FIG. 5



FIG. 6

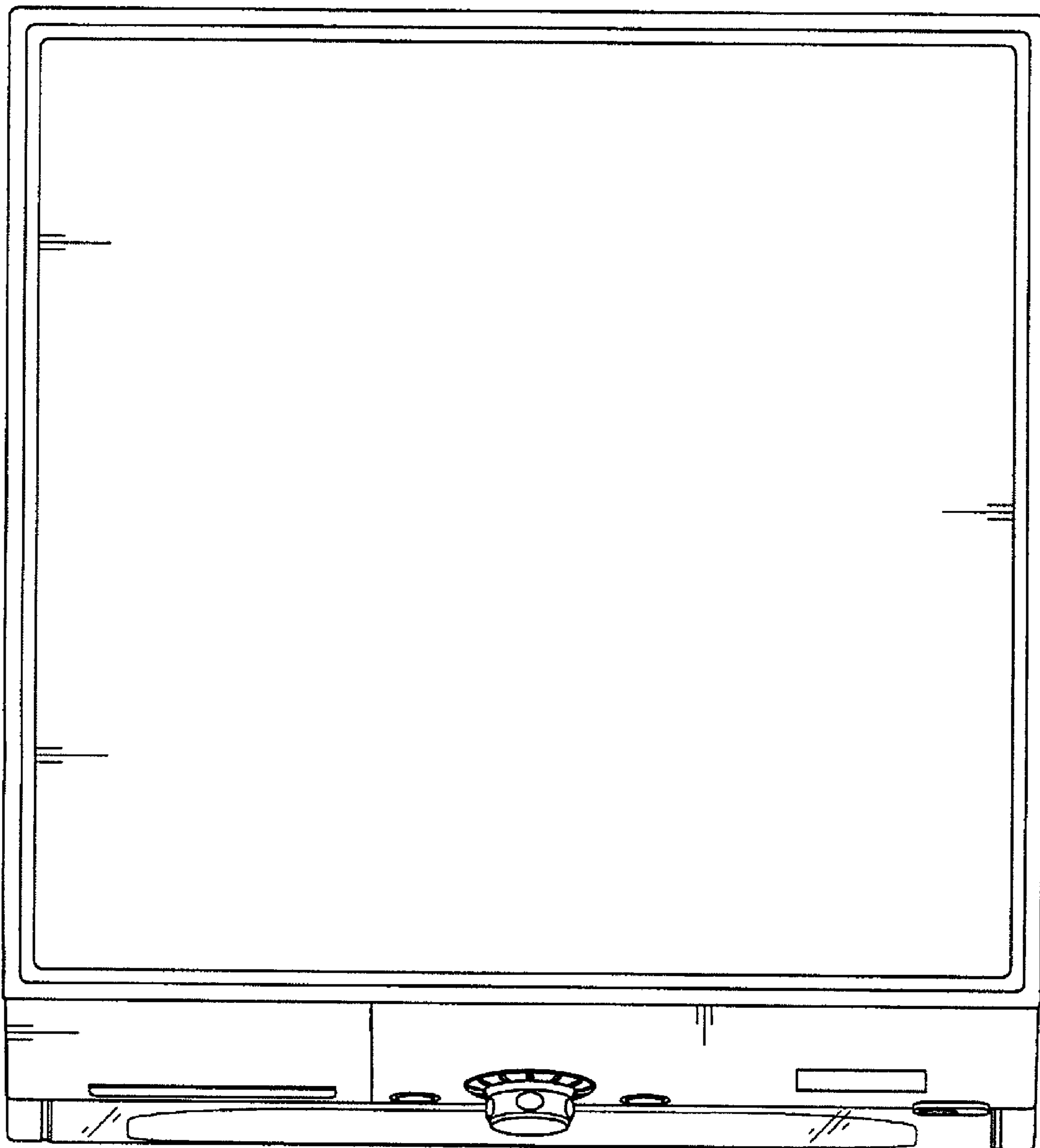


FIG. 7

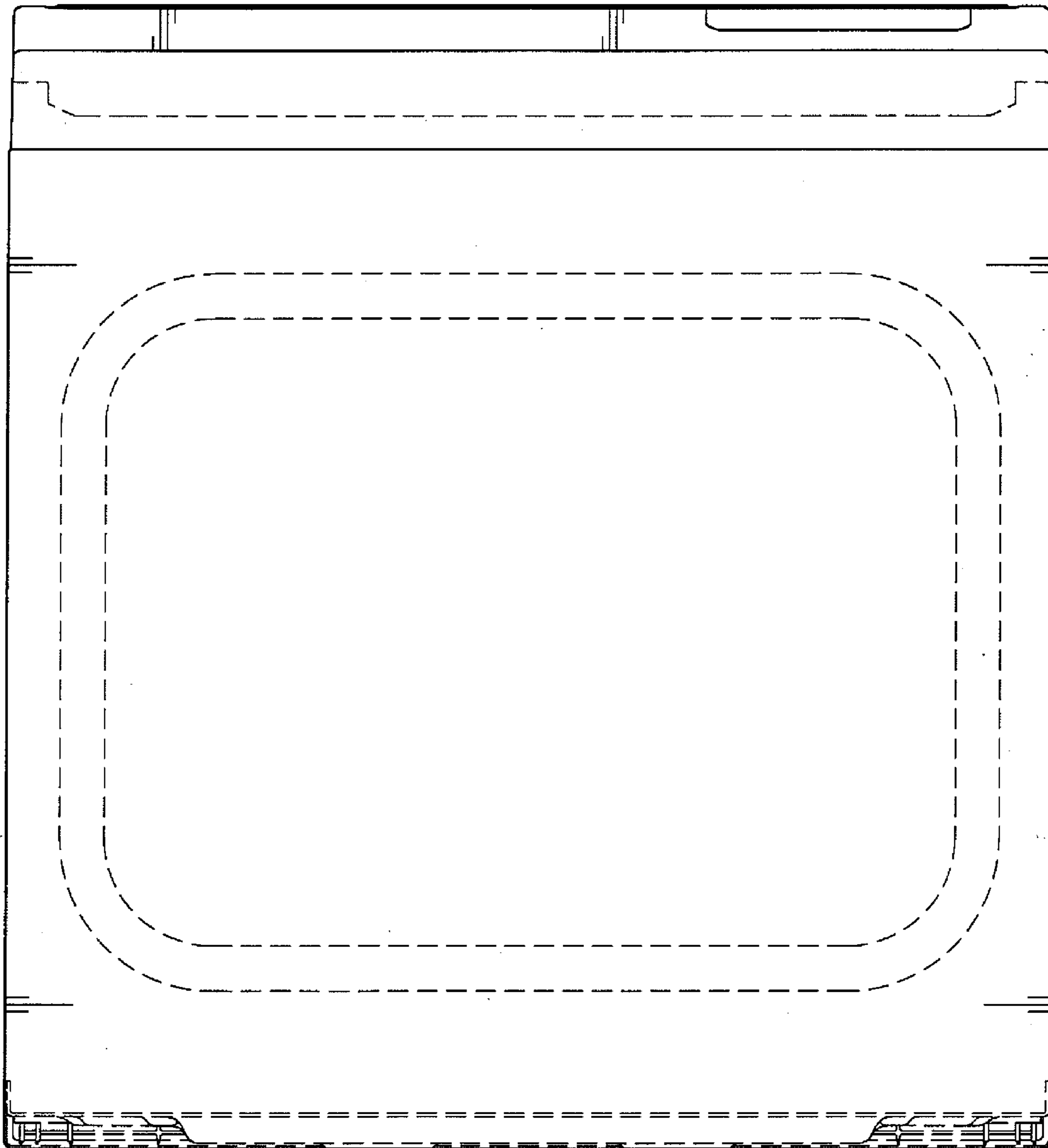


FIG. 8

