



US00D634491S

(12) **United States Design Patent**
Sigmund

(10) **Patent No.:** **US D634,491 S**

(45) **Date of Patent:** **** Mar. 15, 2011**

(54) **PET WASTE COLLECTION APPARATUS**

(76) Inventor: **Roy Paul Sigmund**, Vancouver (CA)

(**) Term: **14 Years**

(21) Appl. No.: **29/362,633**

(22) Filed: **May 27, 2010**

(51) **LOC (9) Cl.** **30-99**

(52) **U.S. Cl.** **D30/162**

(58) **Field of Classification Search** D30/162;
294/55, 1.3, 1.4, 1.5, 1.1; D26/38
See application file for complete search history.

2004/0256869	A1	12/2004	Avishay	
2006/0231043	A1	10/2006	Galdo	
2007/0132252	A1	6/2007	Cioboc	
2008/0265592	A1	10/2008	Askinasi	
2009/0096226	A1*	4/2009	Anderson 294/1.3
2009/0261603	A1	10/2009	Boghozian	
2009/0261604	A1	10/2009	Rodriguez et al.	

FOREIGN PATENT DOCUMENTS

CA	2415298	A1	7/2004
WO	0005458	A1	2/2000

* cited by examiner

Primary Examiner — Terry A Wallace

(74) *Attorney, Agent, or Firm* — Oyen Wiggs Green & Mutala LLP

(56) **References Cited**

U.S. PATENT DOCUMENTS

4,148,510	A *	4/1979	Brack et al.	294/1.3
5,174,620	A	12/1992	Huegelmeier et al.		
D354,054	S *	1/1995	Shitama	D26/38
5,540,469	A	7/1996	Albert		
5,669,645	A	9/1997	Chuang		
6,059,332	A	5/2000	Beascoechea Inchaurreaga		
6,453,967	B1	9/2002	DiFabio et al.		
D485,383	S *	1/2004	Hanselman et al.	D26/38
6,983,966	B2	1/2006	Azrikam		
D523,839	S *	6/2006	Li	D26/38
7,374,215	B2	5/2008	Anderson		
7,410,197	B2	8/2008	Edwards		
7,506,615	B1	3/2009	Sansone et al.		
7,523,972	B1	4/2009	Wawrzynowski		
D604,913	S *	11/2009	Boghozian	D30/162
7,628,431	B2	12/2009	Evans et al.		
D613,006	S *	3/2010	Anderson	D30/162
2003/0041809	A1*	3/2003	Tsigrik	119/161

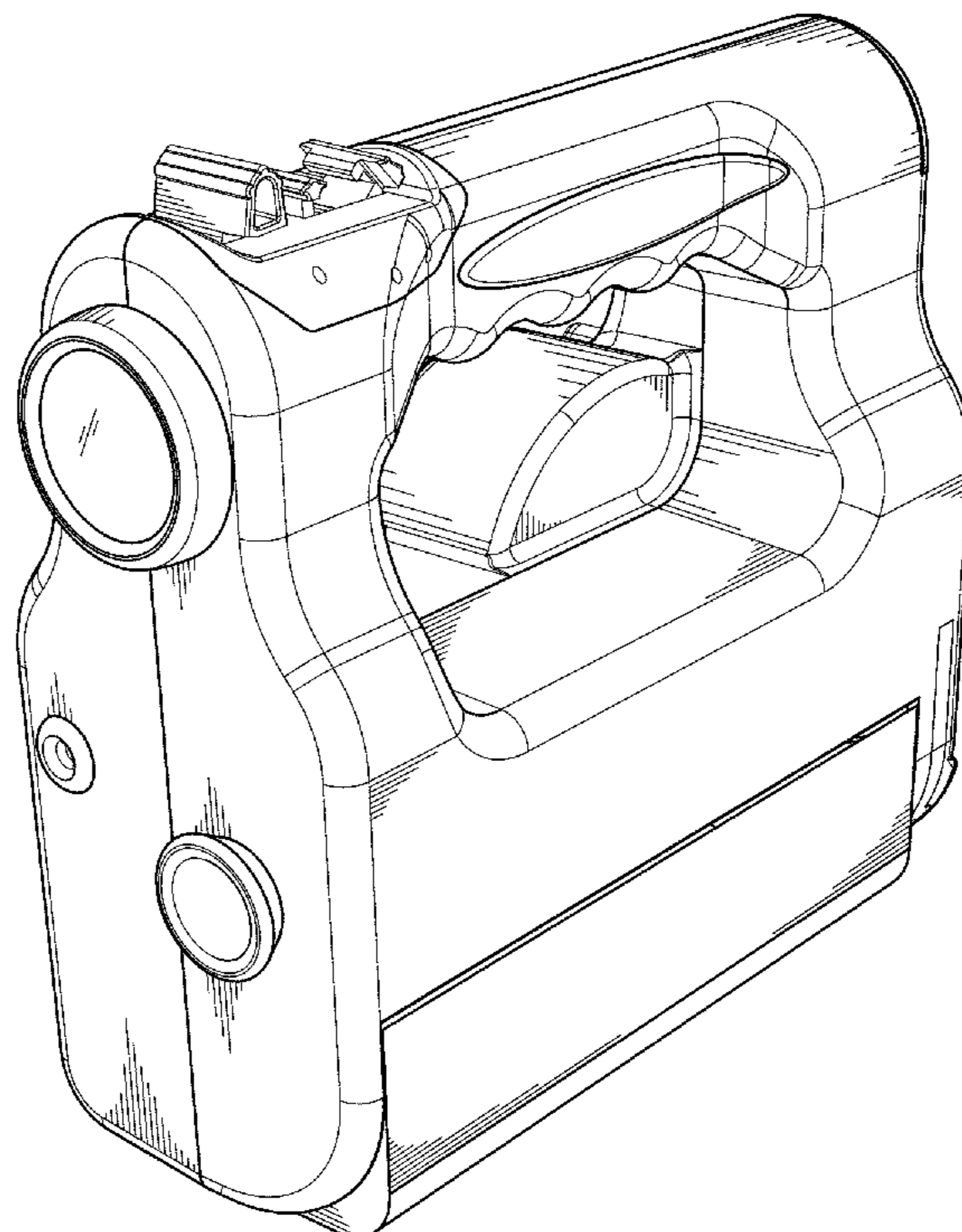
(57) **CLAIM**

The ornamental design for a pet waste collection apparatus, as shown and described.

DESCRIPTION

FIG. 1 is a top-front-left view of the pet waste collection apparatus;
FIG. 2 is a bottom-rear-right view thereof;
FIG. 3 is a left side view thereof;
FIG. 4 is a right side view thereof;
FIG. 5 is a rear view thereof;
FIG. 6 is a front view thereof;
FIG. 7 is a top view thereof; and,
FIG. 8 is a bottom view thereof.
Contour lines are used to indicate surface contours.

1 Claim, 6 Drawing Sheets



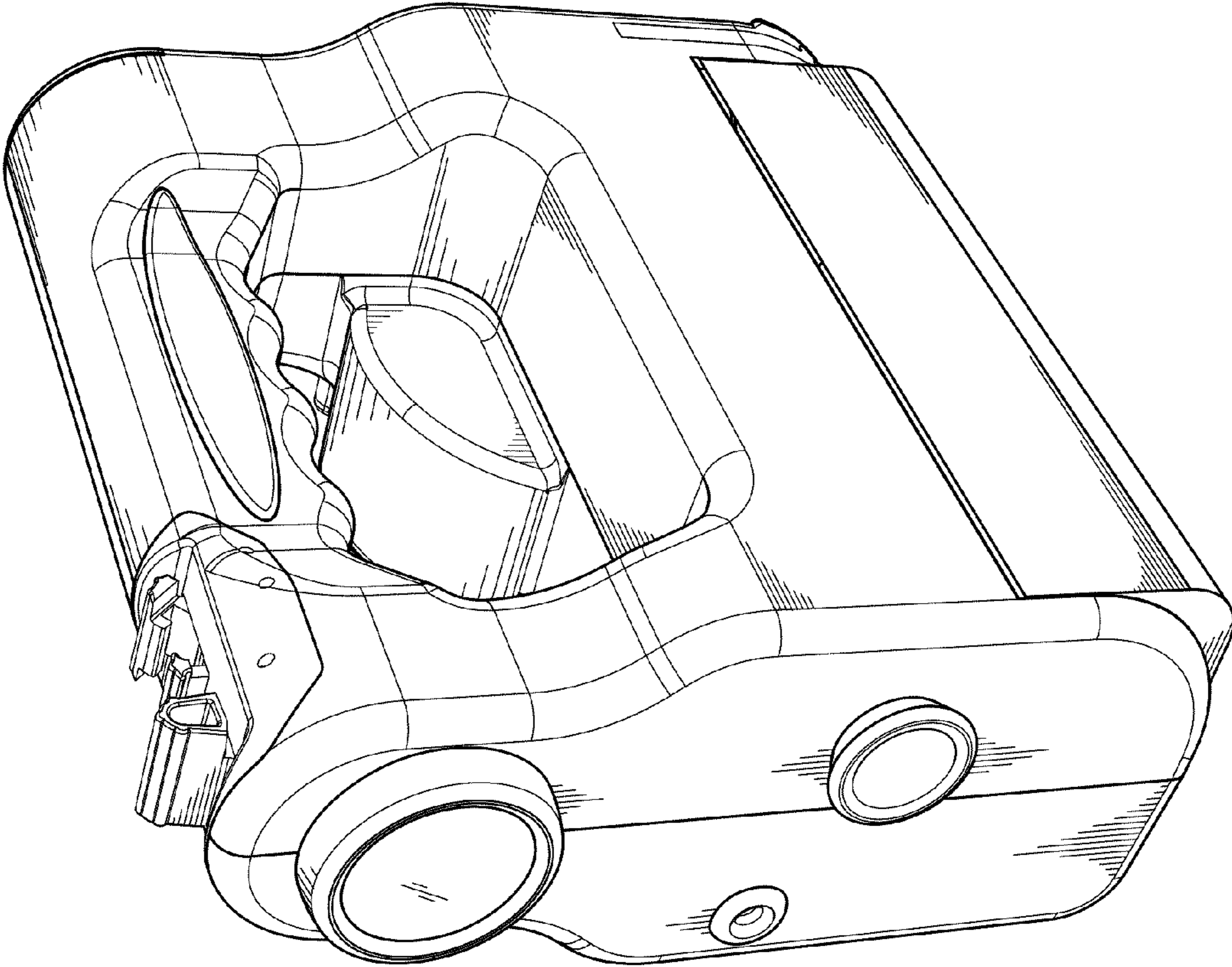


FIG. 1

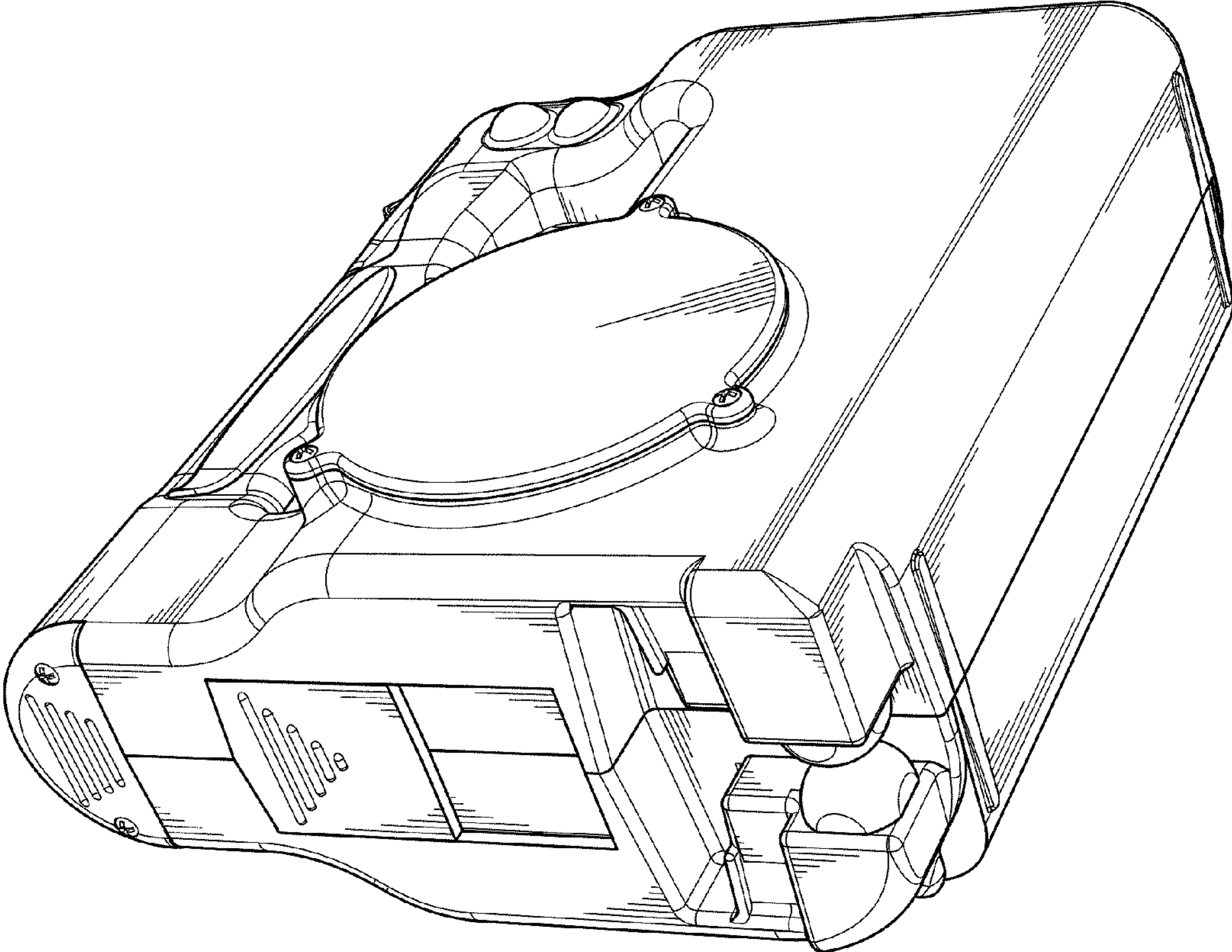


FIG. 2

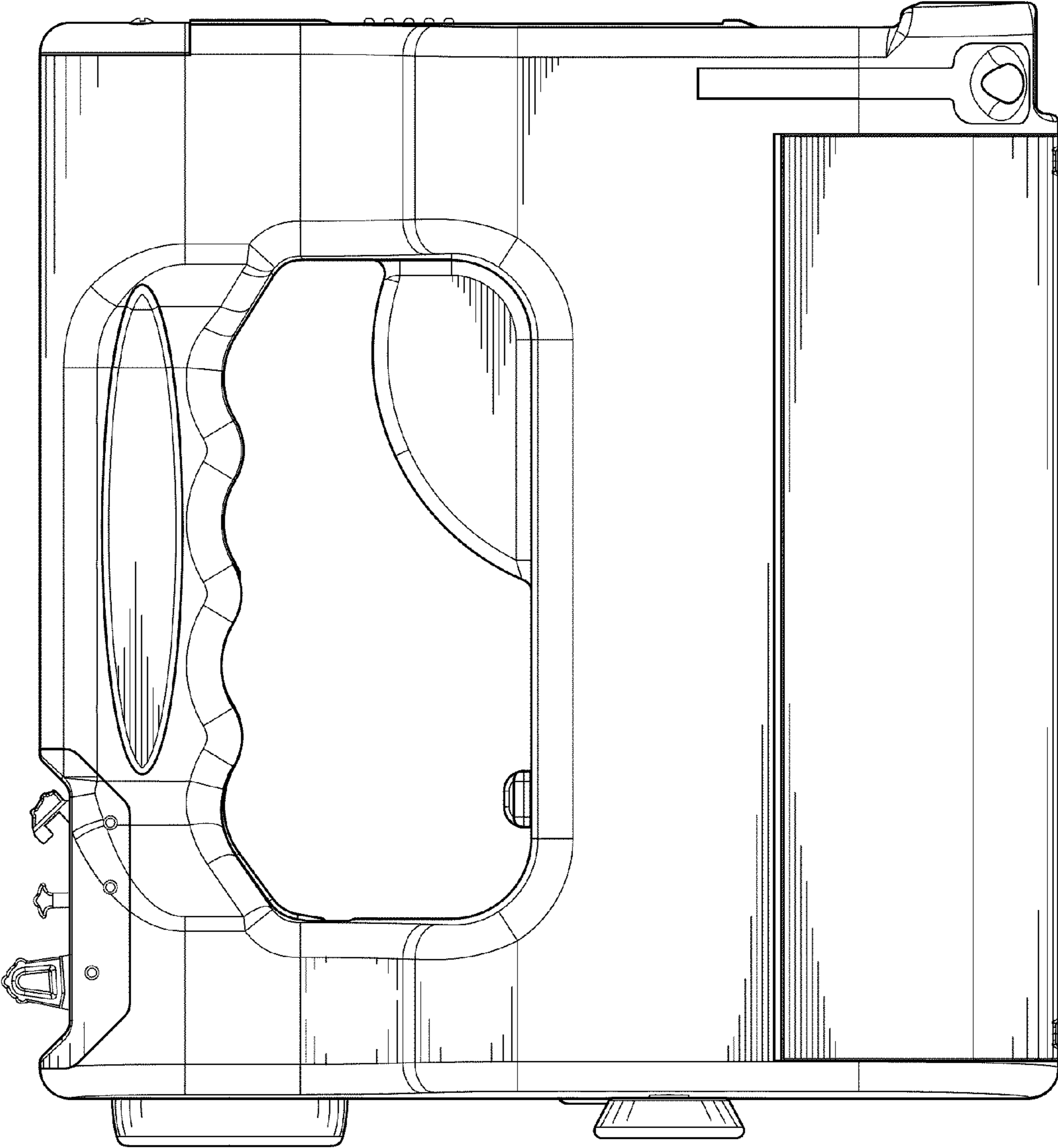


FIG. 3

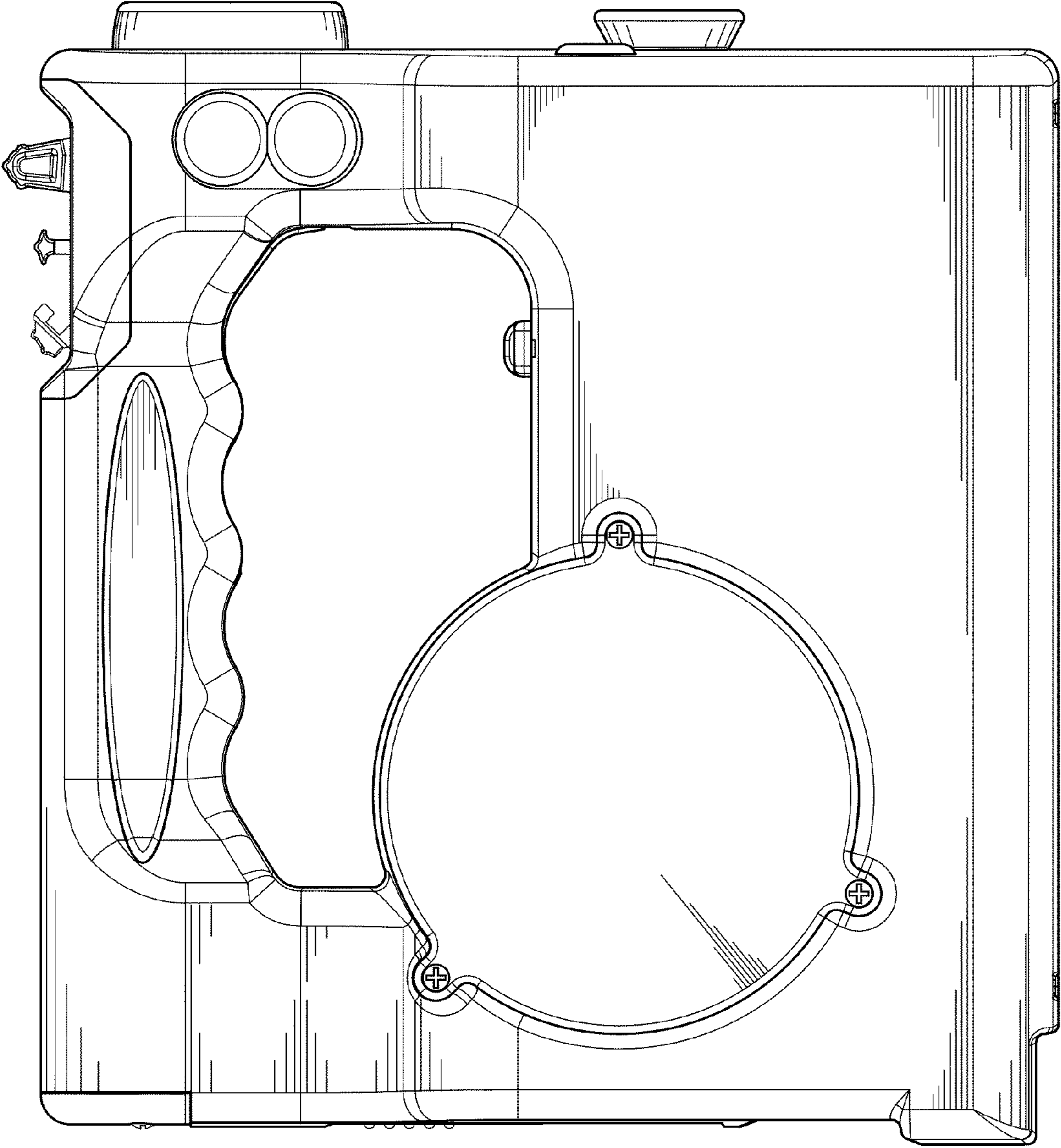


FIG. 4

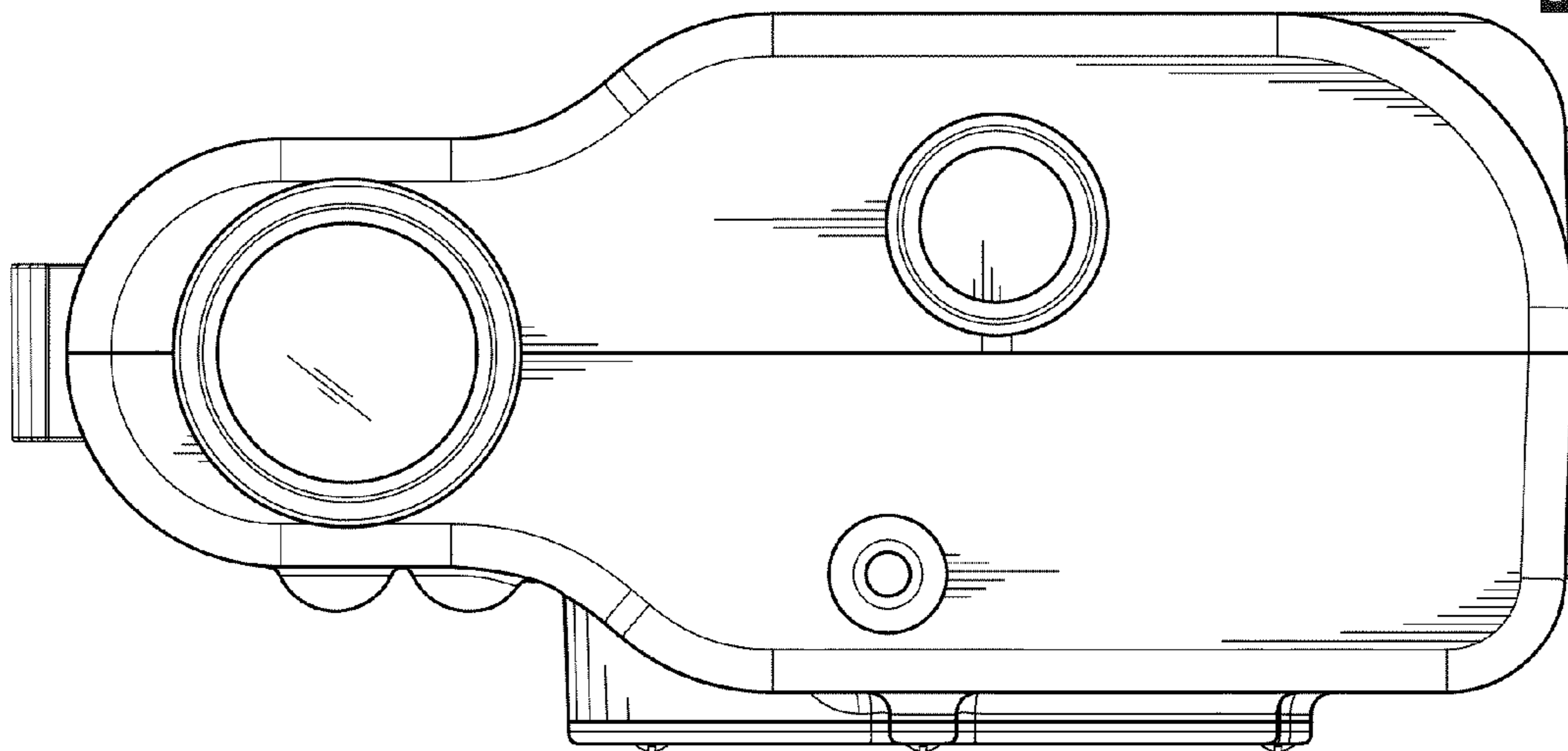


FIG. 6

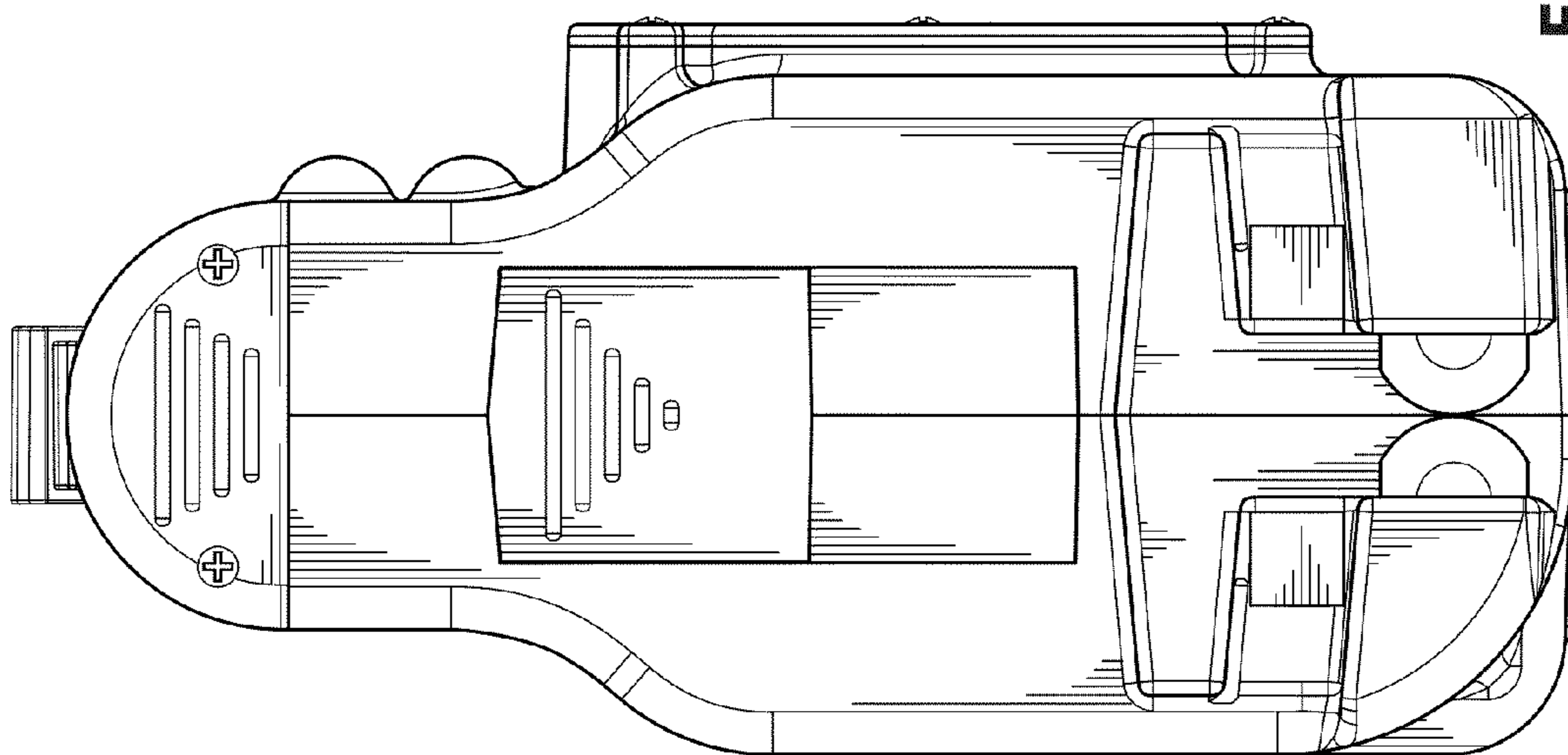


FIG. 5

FIG. 7

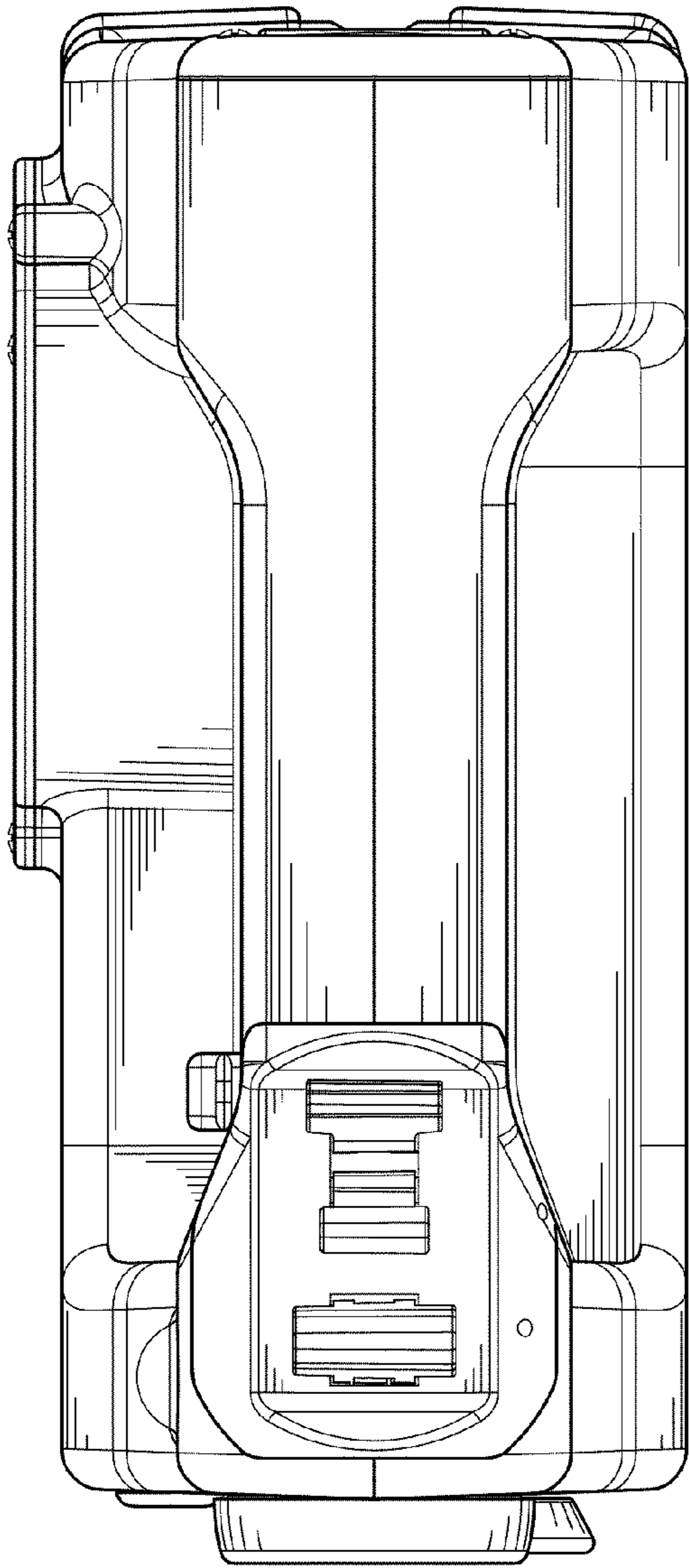


FIG. 8

