

US00D634486S

(12) **United States Design Patent**
Graham-Cretcher

(10) **Patent No.:** **US D634,486 S**

(45) **Date of Patent:** **** Mar. 15, 2011**

(54) **BOWL HAVING A NARROW TOP OPENING AND A WIDER BASE FOR PET USE**

(76) Inventor: **Ronda Graham-Cretcher**, Warsaw, IN (US)

(**) Term: **14 Years**

(21) Appl. No.: **29/333,403**

(22) Filed: **Mar. 9, 2009**

(51) **LOC (9) Cl.** **30-03**

(52) **U.S. Cl.** **D30/129**

(58) **Field of Classification Search** D30/121, D30/122, 129-133; 119/61.5, 51.01, 61.56, 119/51.03, 59, 62, 63, 51.5, 57.8, 74, 61.54, 119/61.55; 312/204; 248/151, 188; 108/156, 108/153.1-157; 220/23.87, 630, 737, 743, 220/9.4, 495.01, 574, 212, 255, 23.83; 206/515; D7/586, 543, 550.1, 587, 505, 584, 545, 500, D7/553.1-553.8, 546, 555, 556, 504, 565, D7/562, 602; D9/429; 43/109; D22/122; 99/430, DIG. 15

See application file for complete search history.

(56) **References Cited**

U.S. PATENT DOCUMENTS

D56,761	S	*	12/1920	Miller	D30/129
3,266,533	A	*	8/1966	McHale	141/364
3,498,268	A	*	3/1970	Langevin et al.	119/61.54
3,527,192	A	*	9/1970	Thomas	119/61.5
D287,772	S	*	1/1987	Stewart	D30/129
D288,515	S	*	3/1987	Rimmeir	D7/584
D313,486	S	*	1/1991	Conner	D30/129
D326,168	S	*	5/1992	Smith	D30/129
5,209,184	A	*	5/1993	Sharkan et al.	119/61.56
D342,352	S	*	12/1993	Embrey	D30/129
5,297,504	A	*	3/1994	Carrico	119/61.54
D351,263	S	*	10/1994	Evans	D30/129
D377,961	S	*	2/1997	Dickson et al.	D22/122
5,791,287	A	*	8/1998	Gruber	119/74
5,857,427	A	*	1/1999	Kelley	119/61.56

6,032,824	A	*	3/2000	Barrow	220/621
6,065,428	A	*	5/2000	Fronk	119/61.53
D443,395	S	*	6/2001	Suns	D30/129
6,581,541	B2	*	6/2003	Hollinger	119/61.54
D498,424	S	*	11/2004	Moretti	D9/560
D504,747	S	*	5/2005	Herrenbruck	D30/129
D563,608	S	*	3/2008	Kitchen	D30/129
D590,551	S	*	4/2009	Sperbeck	D30/129
7,527,018	B2	*	5/2009	Manley-Hood	119/61.5
7,600,486	B2	*	10/2009	Ellis	119/61.5
D606,404	S	*	12/2009	Diss	D9/500
D606,405	S	*	12/2009	Takata et al.	D9/500
D606,406	S	*	12/2009	Takata et al.	D9/500
D607,727	S	*	1/2010	Takata et al.	D9/500
D612,732	S	*	3/2010	Takata et al.	D9/500
2002/0162511	A1	*	11/2002	Hollinger	119/61
2007/0022964	A1	*	2/2007	Reusche et al.	119/73

* cited by examiner

Primary Examiner — Susan Moon Lee

(74) *Attorney, Agent, or Firm* — Mark R. Malek, Esq.; Zies Widerman & Malek

(57) **CLAIM**

The ornamental design for a bowl having a narrow top opening and a wider base for pet use, as shown and described.

DESCRIPTION

FIG. 1 is a perspective view of a bowl having a narrow top opening and a wider base for pet use according to the present invention;

FIG. 2 is a side perspective view showing an interior portion of a bowl according to the present invention.

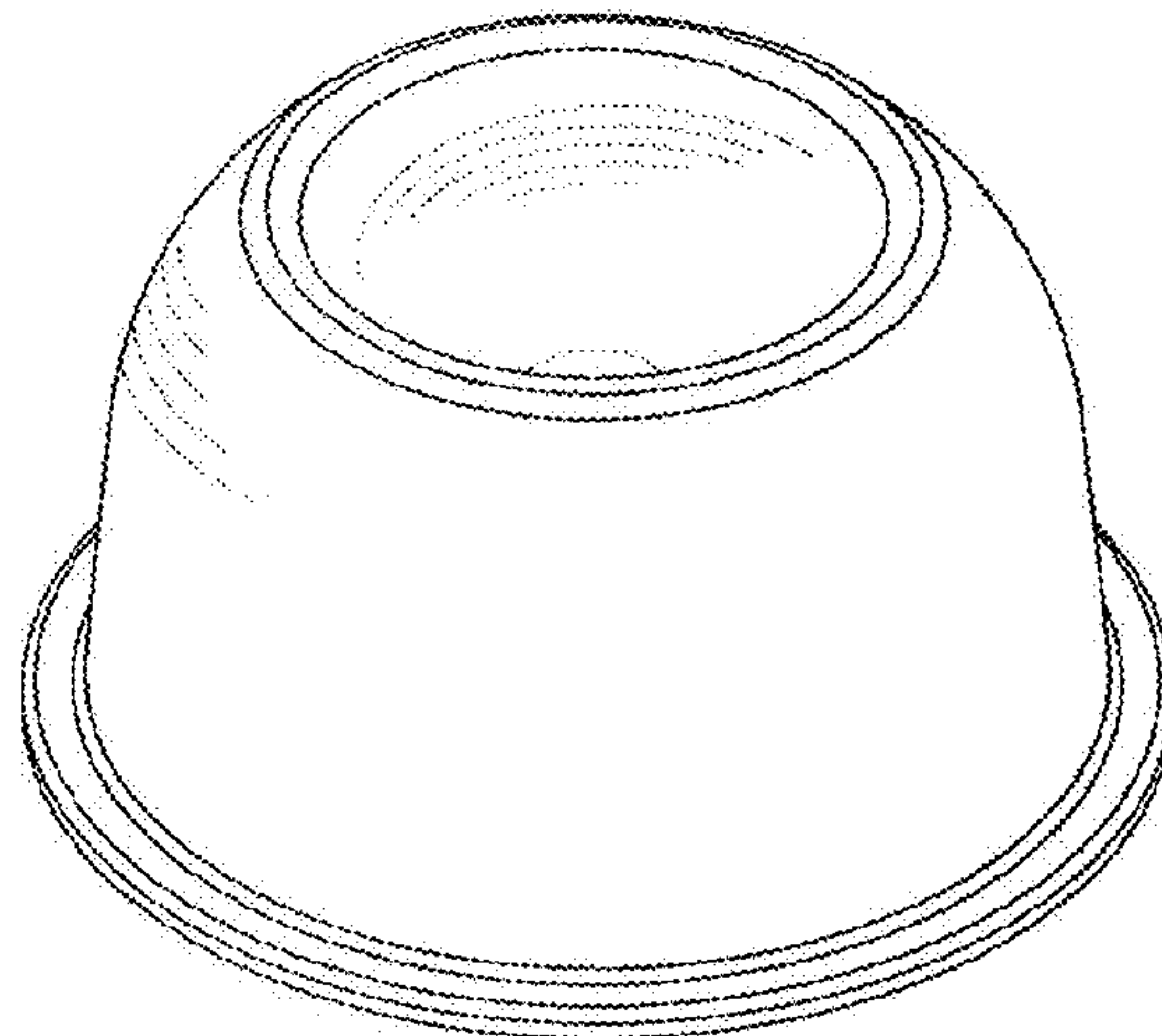
FIG. 3 is a top view of a bowl according to the present invention.

FIG. 4 is a sectional view of the bowl illustrated in FIG. 3 and taken through line 4—4.

FIG. 5 is side elevation view of a bowl according to the present invention; and,

FIG. 6 is a bottom view of a bowl according to the present invention.

1 Claim, 3 Drawing Sheets



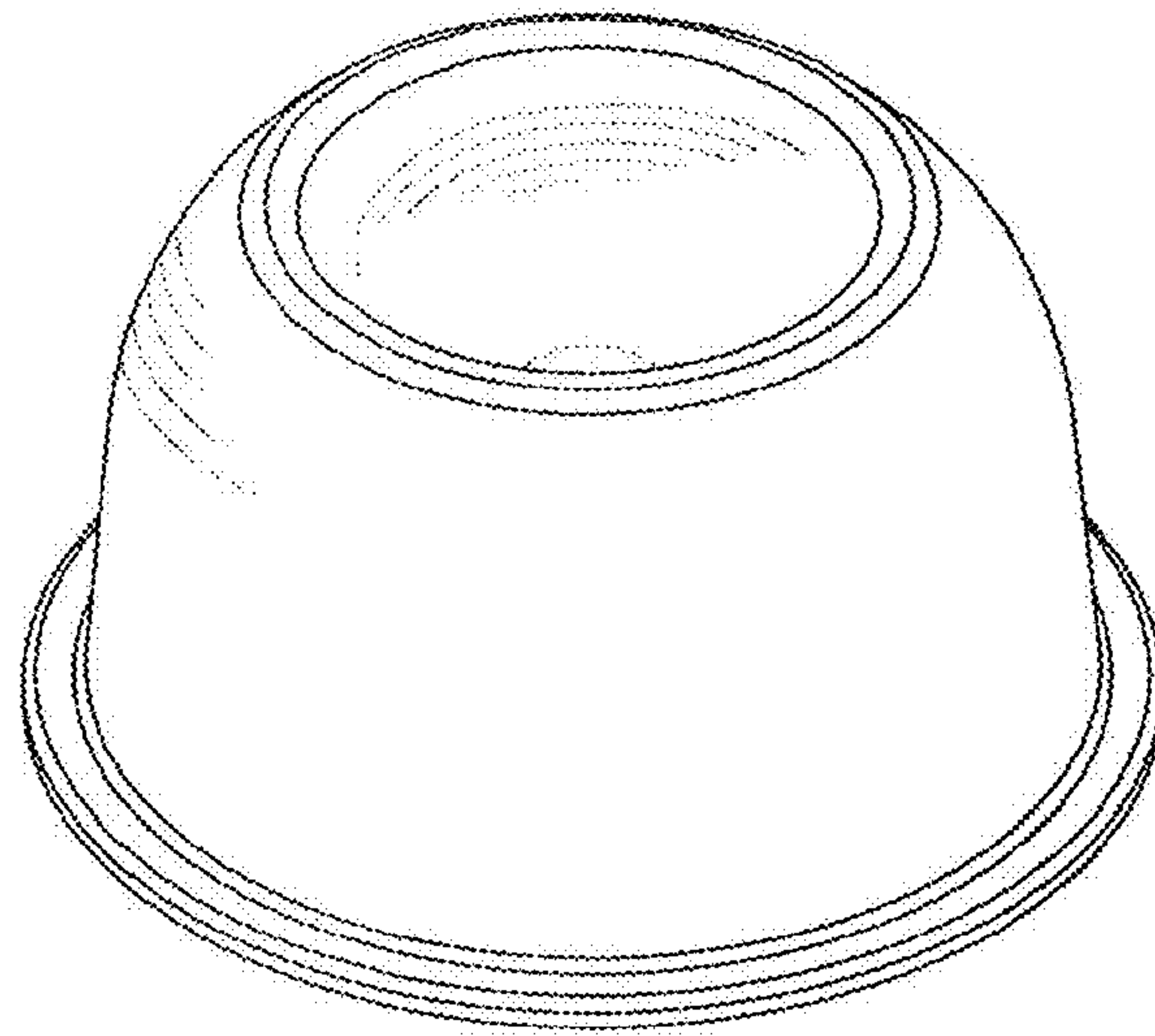


FIG. 1

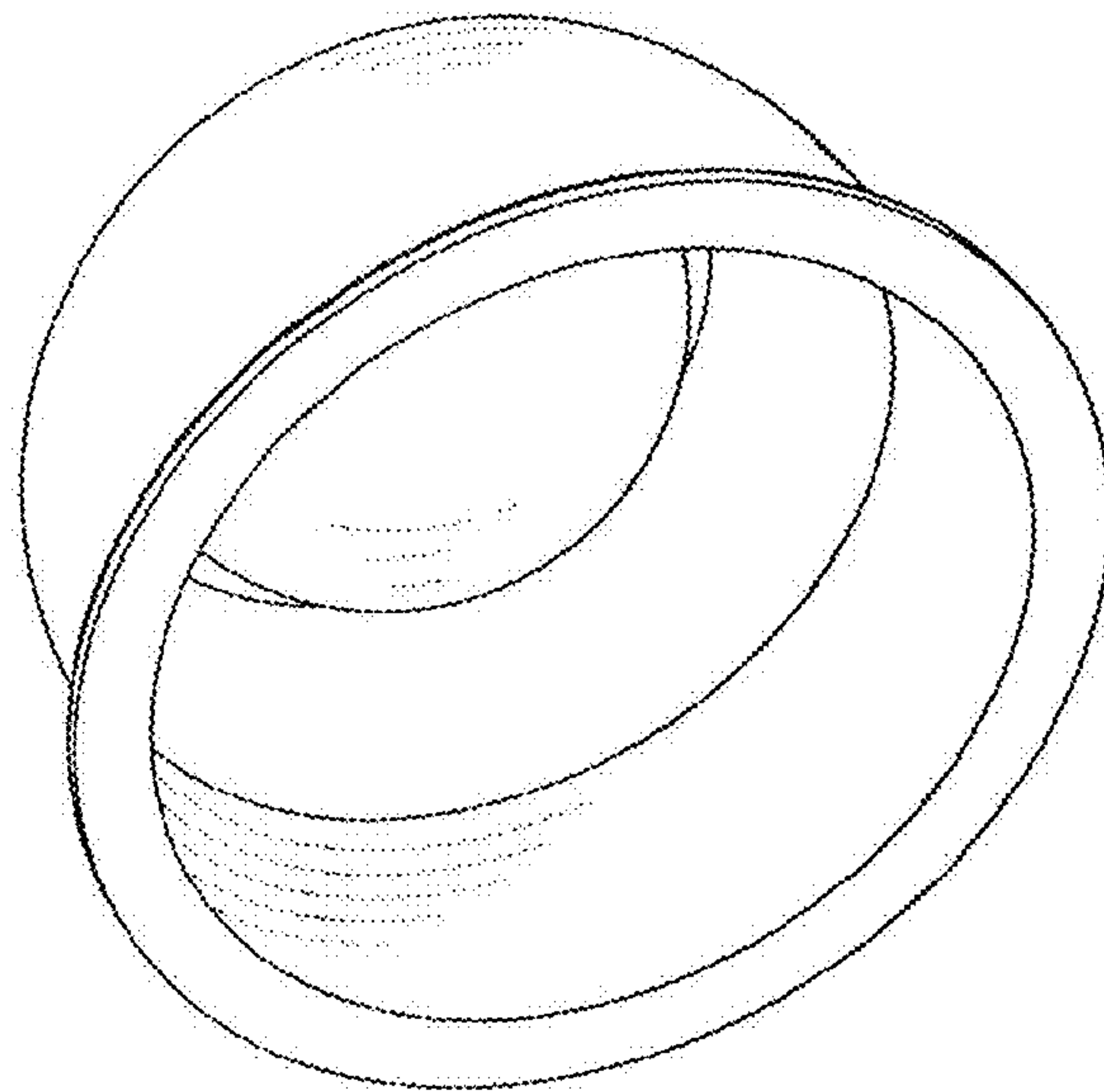


FIG. 2

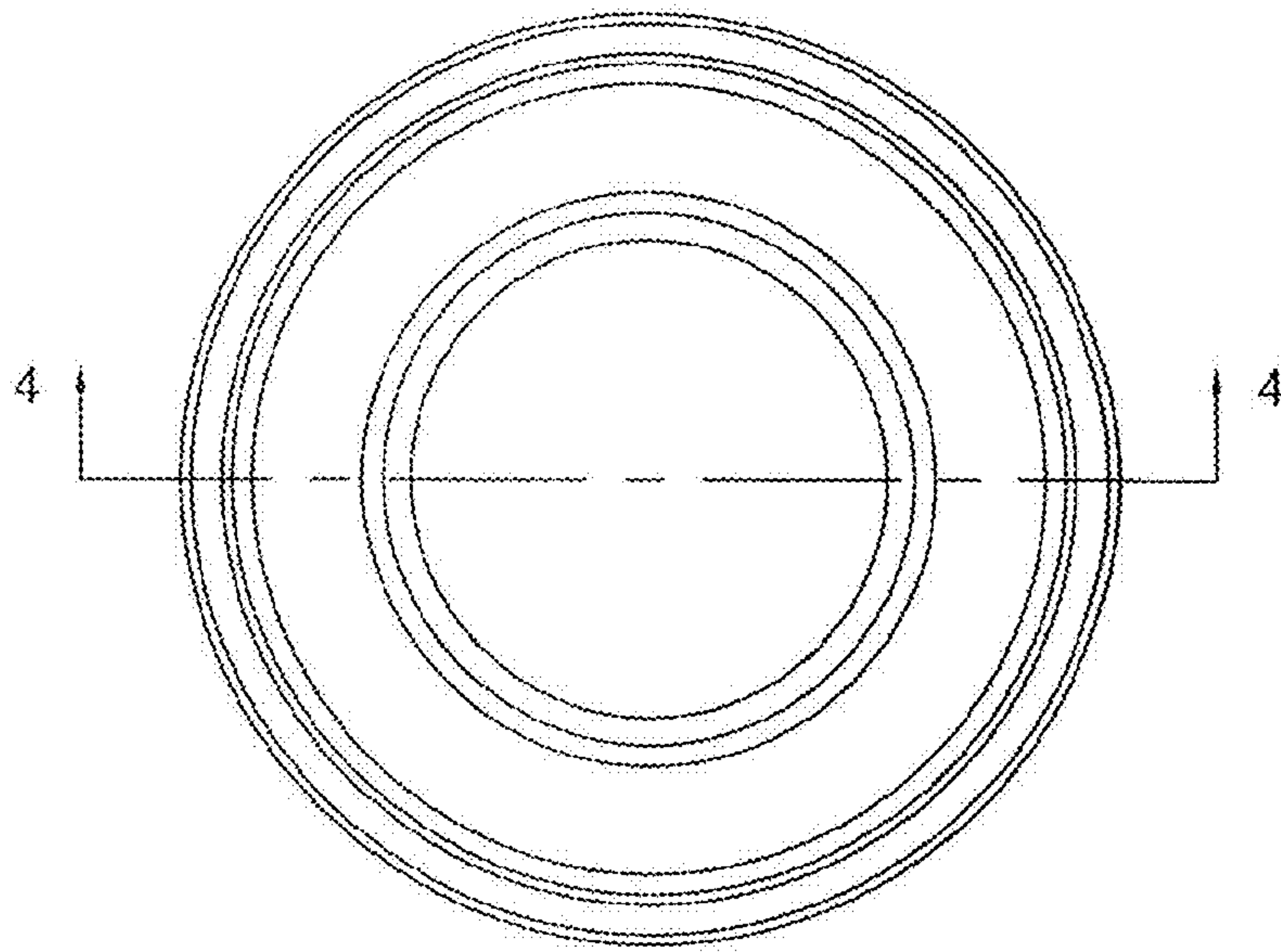


FIG. 3

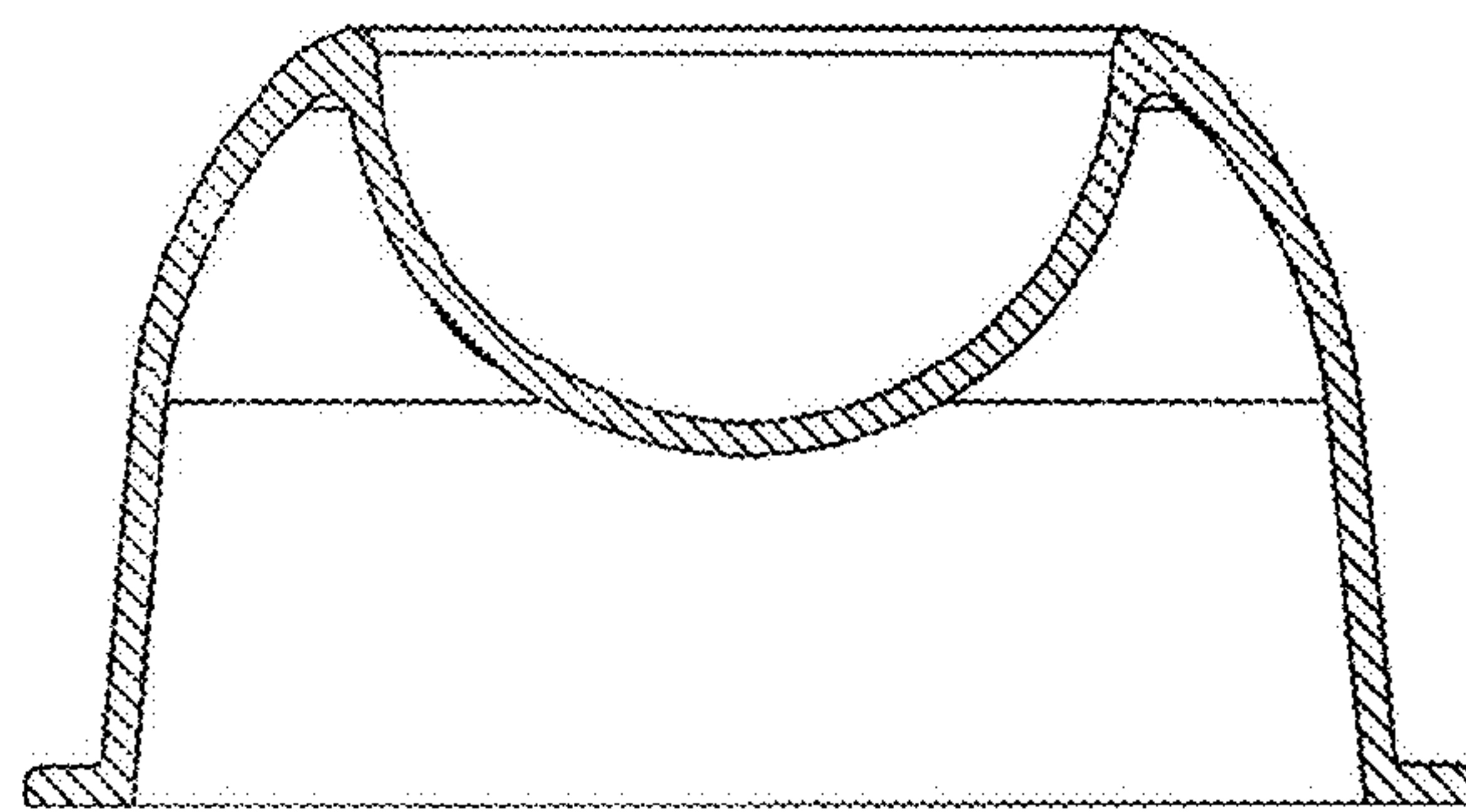


FIG. 4

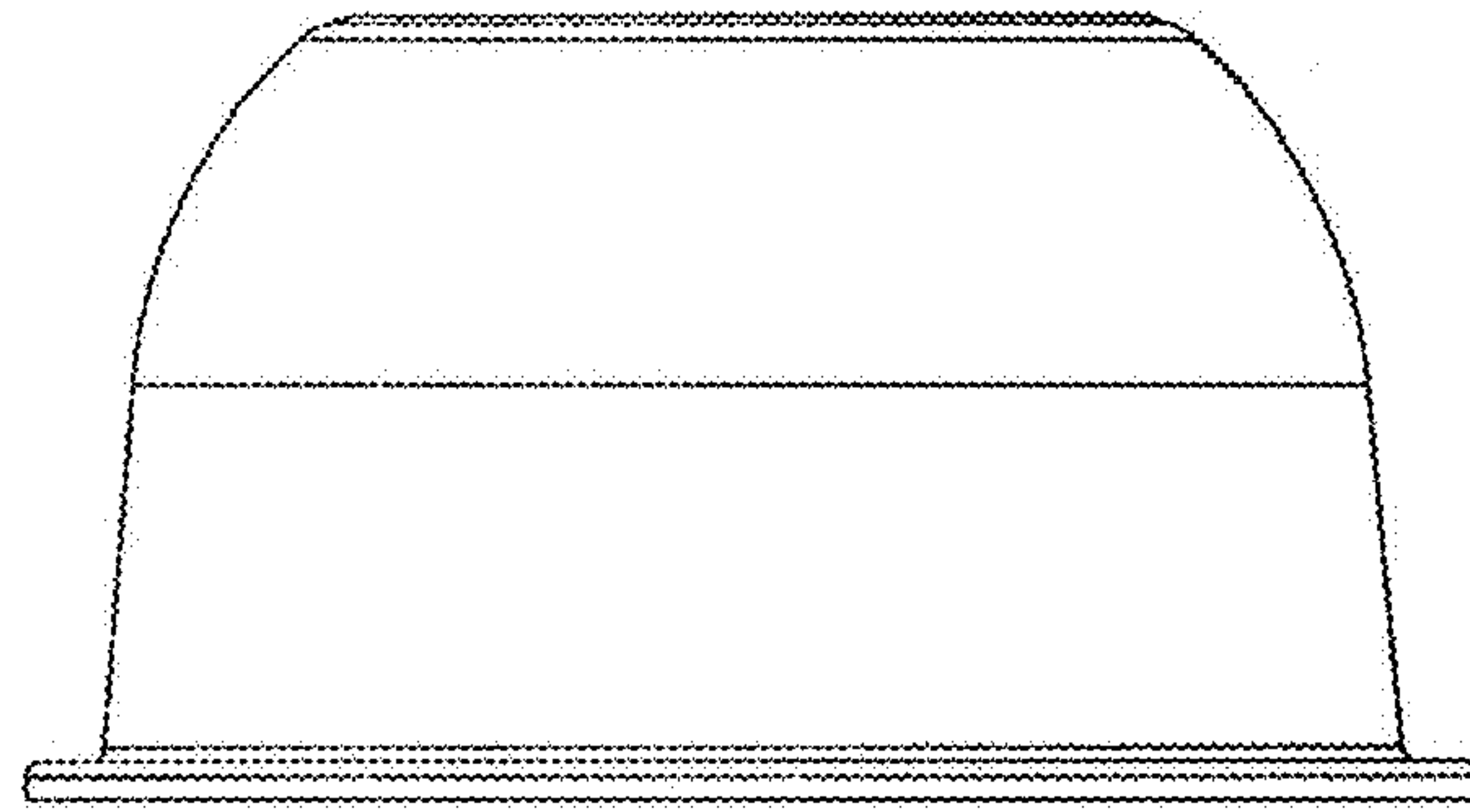


FIG. 5

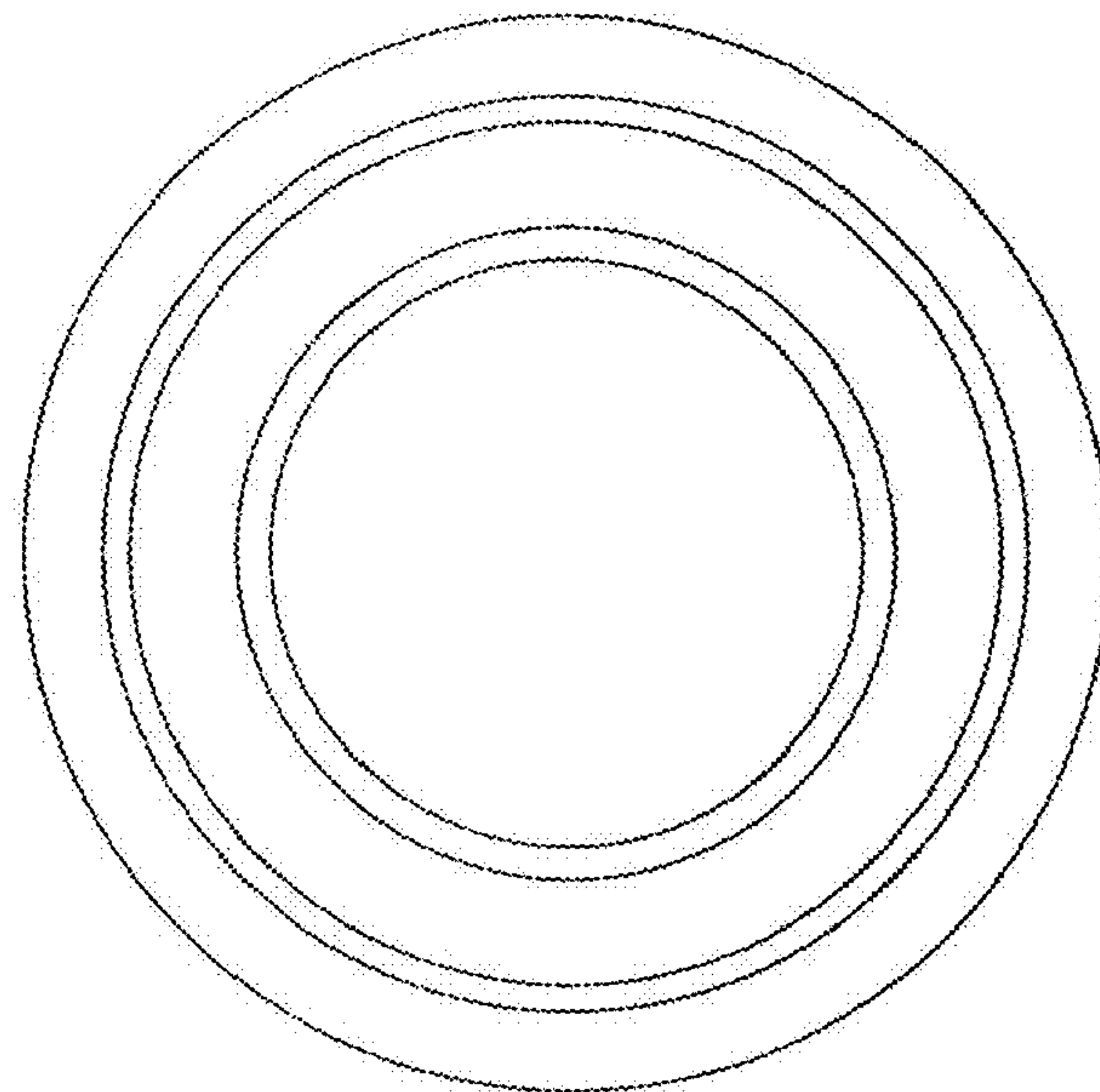


FIG. 6