



US00D634483S

(12) **United States Design Patent**
Sullivan

(10) **Patent No.:** **US D634,483 S**
(45) **Date of Patent:** **** Mar. 15, 2011**

- (54) **MODULAR BEEHIVE WITH LID**
- (76) Inventor: **Shad E. Sullivan**, Atwater, CA (US)
- (**) Term: **14 Years**
- (21) Appl. No.: **29/366,073**
- (22) Filed: **Jul. 19, 2010**

3,841 A	12/1844	Reynolds
19,931 A	4/1858	Kidder
66,977 A	7/1867	Leffingwell
67,123 A	7/1867	Kretchmer
70,782 A	11/1867	Beebe
71,381 A	11/1867	Gray
72,651 A	12/1867	Lower
72,808 A	12/1867	Courtney

(Continued)

Related U.S. Application Data

- (63) Continuation-in-part of application No. 29/366,067, filed on Jul. 19, 2010, and a continuation-in-part of application No. 29/329,921, filed on Dec. 23, 2008, now Pat. No. Des. 629,163.

- (51) **LOC (9) Cl.** **30-02**
- (52) **U.S. Cl.** **D30/108; D30/199**
- (58) **Field of Classification Search** **D30/199,**
D30/108-113, 117; 119/508, 500, 501, 498,
119/482, 161, 481, 483, 475, 484, 246, 165,
119/453, 452, 248, 269, 201, 502; 449/30,
449/1, 12, 2, 20, 25, 19, 27, 7, 28, 21, 8,
449/6, 23, 24, 26, 31, 13, 37, 60, 14, 11,
449/42-44; D3/304-316, 201, 273, 276,
D3/283-286, 318, 319; 312/263; 43/54.1,
43/55, 56; 217/54, 43 R; 294/158; 428/118,
428/116, 698; 220/560, 216, 4.28, 786, 847,
220/675, 676, 1.5, 6, 4.29, DIG. 12-DIG. 15,
220/DIG. 2; 206/503, 203, 512, 509; 156/78,
156/89.27, 89.22; 521/131; 427/255.11,
427/255.12, 255.19, 900; D9/755, 781, 770;
D7/550.1, 552.1, 553.1, 553.2, 553.7, 554.2-554.4,
D7/561, 701; D6/525-540; D12/412, 414.1,
D12/425; D19/75, 86, 90; 160/DIG. 7; 135/115,
135/119; 126/908

See application file for complete search history.

(56) **References Cited**

U.S. PATENT DOCUMENTS

2,988 A	3/1843	Rich
3,638 A	6/1844	Cutting

OTHER PUBLICATIONS

Printout from http://honeymoonapiaries.com/web_beekeeping/sys/Report46.htm, retrieved Mar. 30, 2009.

(Continued)

Primary Examiner — Susan Moon Lee

(74) *Attorney, Agent, or Firm* — Marcus N. DiBuduo; Mark D. Miller

(57) **CLAIM**

I claim the ornamental design for a modular beehive with lid, as shown.

DESCRIPTION

FIG. 1 is a front-top perspective view of a modular beehive with lid.

FIG. 2 is a bottom plan view of the embodiment of FIG. 1.

FIG. 3 is a top plan view of the embodiment of FIG. 1.

FIG. 4 is a front elevational view of the embodiment of FIG. 1.

FIG. 5 is a right side elevational view of the embodiment of FIG. 1.

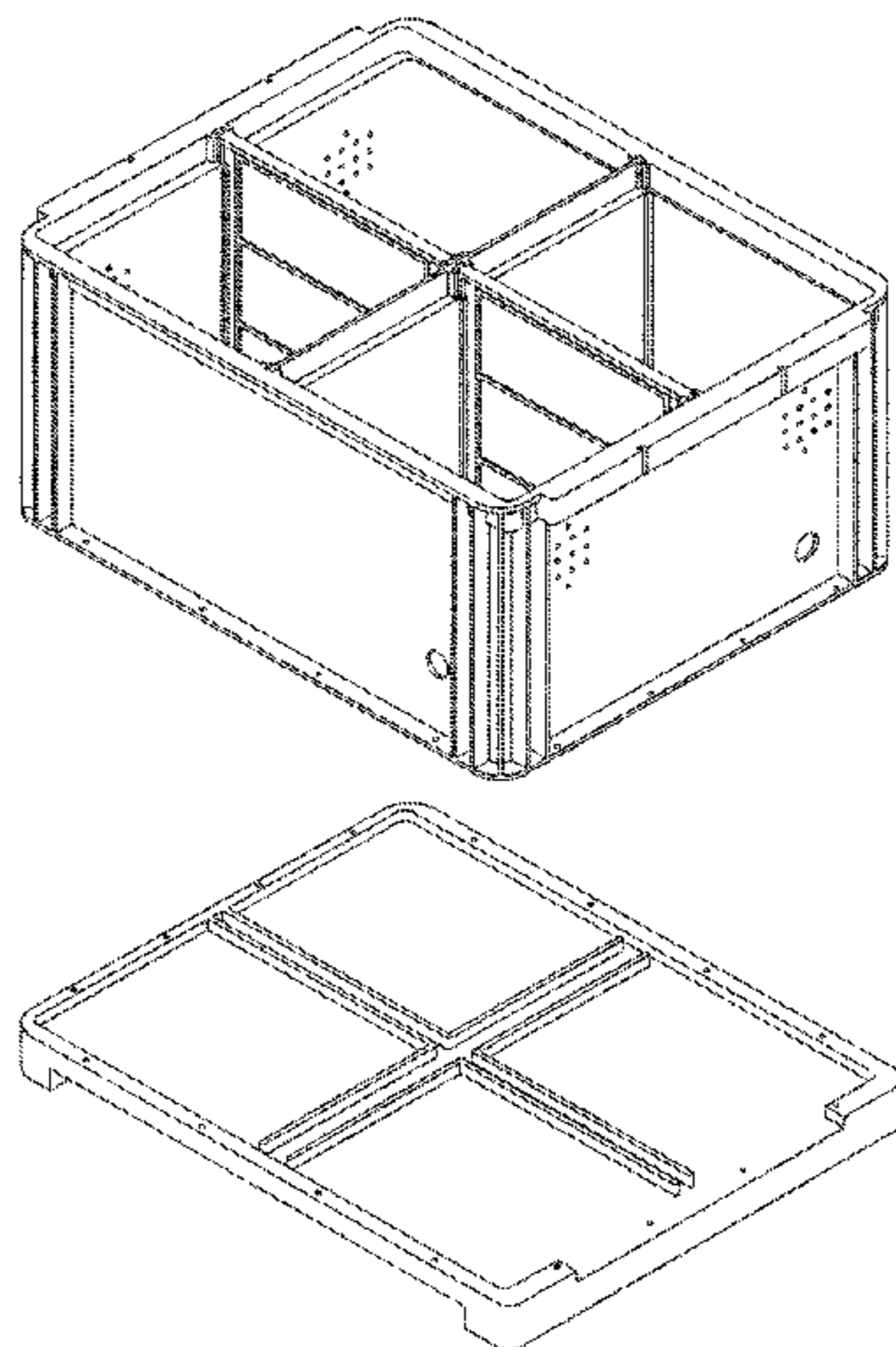
FIG. 6 is a rear elevational view of the embodiment of FIG. 1.

FIG. 7 is a left side elevational view of the embodiment of FIG. 1.

FIG. 8 is a front-bottom perspective view of the embodiment of FIG. 1; and,

FIG. 9 is an exploded top-front perspective view of the embodiment of FIG. 1.

1 Claim, 6 Drawing Sheets



U.S. PATENT DOCUMENTS

82,757 A 10/1868 Shields
 86,441 A 2/1869 Pearson
 98,761 A 1/1870 Gould
 107,792 A 7/1870 Leffel et al.
 109,201 A 11/1870 Goodwin
 109,888 A 12/1870 Gladding
 121,837 A 12/1871 Armstrong
 122,279 A 12/1871 Proctor
 123,654 A 2/1872 White
 124,962 A 3/1872 King
 128,619 A 7/1872 Hart
 131,168 A 9/1872 King
 131,610 A 9/1872 Grabbe
 145,324 A 12/1873 Adams
 178,614 A 6/1876 Elliott et al.
 182,338 A 9/1876 Walthall
 184,778 A 11/1876 Hatfield
 196,060 A 10/1877 Train
 199,328 A 1/1878 Strawser
 252,134 A 1/1882 Overbey
 281,483 A 7/1883 French
 327,268 A 9/1885 Heddon
 330,353 A 11/1885 Stover
 383,737 A 5/1888 Laser
 400,517 A 4/1889 Tinker et al.
 402,002 A 4/1889 Danzenbaker
 424,844 A 1/1890 Baird
 468,783 A 2/1892 Brewer
 489,696 A 1/1893 Steward
 846,517 A 3/1907 Spierling
 1,048,950 A 12/1912 Danzenbaker
 1,068,196 A 7/1913 Wood
 1,203,675 A 11/1916 Wood
 1,270,507 A 6/1918 Fleming
 1,387,734 A 8/1921 Nitsch et al.
 1,441,524 A 1/1923 Platten
 1,468,995 A 9/1923 Cottam
 1,523,318 A * 1/1925 Utton 449/14
 1,659,640 A 4/1927 Smith
 1,857,709 A 5/1932 Benton
 1,893,431 A 1/1933 Meier
 1,911,466 A * 5/1933 Powell 449/15
 2,081,084 A * 5/1937 Bohnet 449/15
 2,596,995 A 5/1947 Hamilton
 2,522,511 A * 9/1950 Hageman 449/10
 2,552,511 A 9/1950 Hageman
 2,599,141 A 6/1952 Taylor
 2,634,020 A 4/1953 Bartholomew
 2,709,820 A 6/1955 Wahl
 3,002,650 A 10/1961 Lovell
 3,110,044 A 11/1963 Dullas
 3,410,441 A 11/1968 Rhyne
 3,438,070 A 4/1969 Florance

D242,600 S 12/1976 Box
 4,007,504 A 2/1977 West
 4,199,832 A 4/1980 Glasscock et al.
 D257,995 S 1/1981 Mikkelsen et al.
 D275,903 S 10/1984 Vasilash
 4,497,079 A * 2/1985 Kettl 449/14
 4,524,476 A 6/1985 Adams, IV
 4,674,647 A 6/1987 Gynge et al.
 4,736,479 A * 4/1988 Lagerman 449/14
 4,981,458 A 1/1991 Johnston
 5,035,668 A 7/1991 Ungar
 D330,813 S 11/1992 Spitzer et al.
 5,509,846 A 4/1996 Kueneman et al.
 D373,022 S 8/1996 Sagol
 5,741,170 A 4/1998 Orletsky et al.
 5,895,310 A 4/1999 Otomo et al.
 5,913,580 A 6/1999 Liu
 D448,568 S 10/2001 Sadr
 6,450,858 B1 9/2002 Schmitz
 6,474,759 B2 11/2002 Hsu
 7,011,224 B2 3/2006 Sheng-Bin
 D518,708 S 4/2006 Ohayon
 D519,734 S 5/2006 Richardson et al.
 7,131,224 B1 11/2006 Elliott et al.
 D563,692 S 3/2008 DeCarlo et al.
 7,387,350 B2 6/2008 Killinger et al.
 D583,172 S 12/2008 Cassel
 7,481,183 B2 1/2009 Van Heygen
 D596,857 S 7/2009 Ahlgrim et al.
 7,686,672 B2 3/2010 Katsampis
 D621,227 S 8/2010 Connor
 2005/0023175 A1 2/2005 Freeland
 2005/0029260 A1 2/2005 Sheng-Bin

OTHER PUBLICATIONS

Printout from http://honeymoonapiaries.com/web_beekeeping/sys/Report32.htm, retrieved Mar. 30, 2009.
 Printout from http://honeymoonapiaries.com/web_beekeeping/sys/Report20.htm, retrieved Mar. 30, 2009.
 Printout from http://honeymoonapiaries.com/web_beekeeping/sys/Report13.htm, retrieved Mar. 30, 2009.
 Printout from http://honeymoonapiaries.com/web_beekeeping/sys/Report34.htm, retrieved Mar. 30, 2009.
 Mann Lake Ltd. Online Catalog (2009), web site: www.mannlakeltd.com/ProductDetail.asp?idproduct=IN-150.
 Bindaree Bee Supplies Online (2001), web site: www.bindaree.com.au/pricelists/products/plastic_hive.htm.
 Mother Lode Products. 2009 North American Beekeeping Conference (Jan. 2009), web site: <http://www.abfnet.org/files/guide%2009%20pg%2036-48%20web.pdf>.
 Bees Forever Plastics, American Bee Journal (Jan. 2009), p. 54.

* cited by examiner

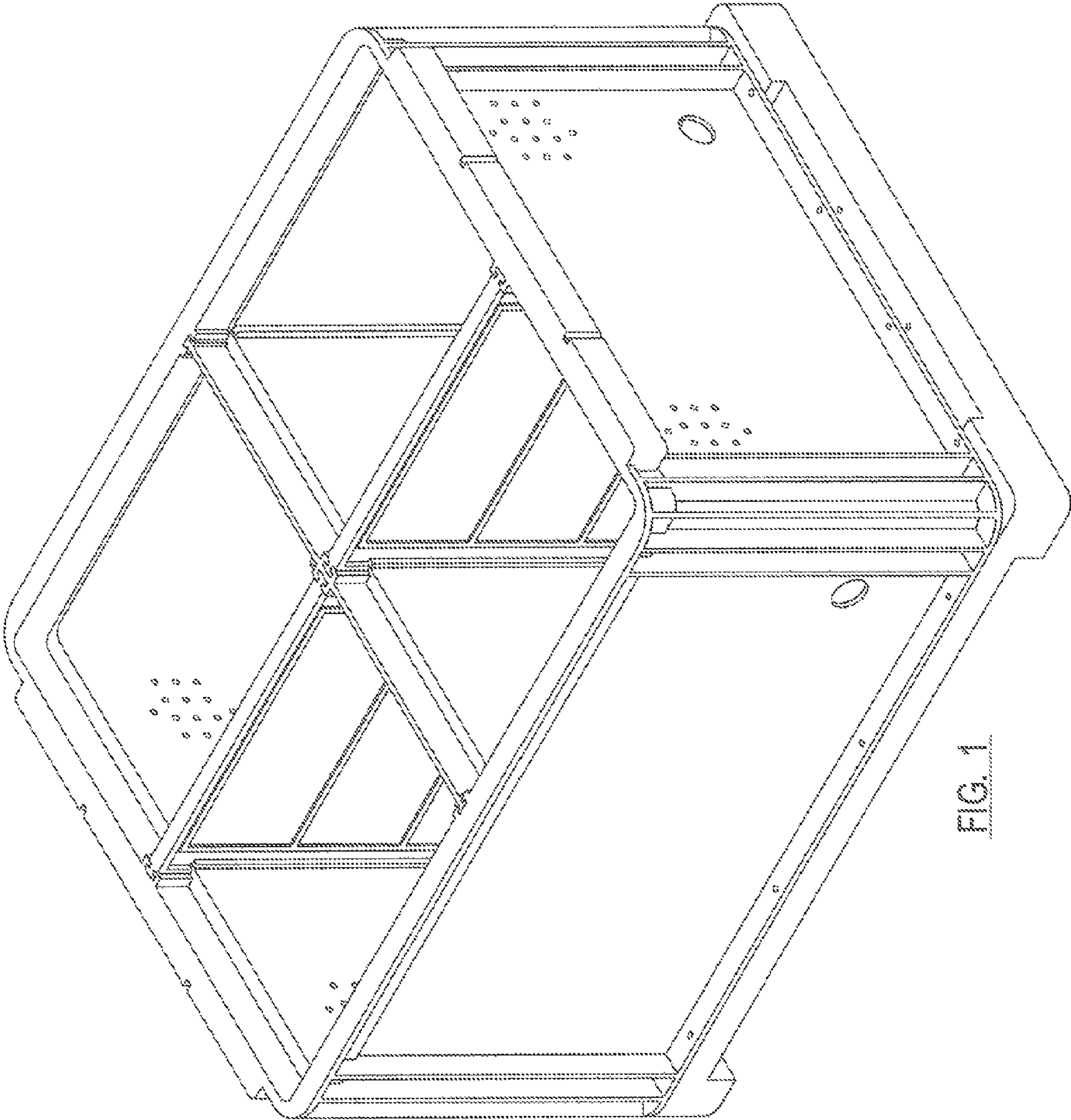


FIG. 1

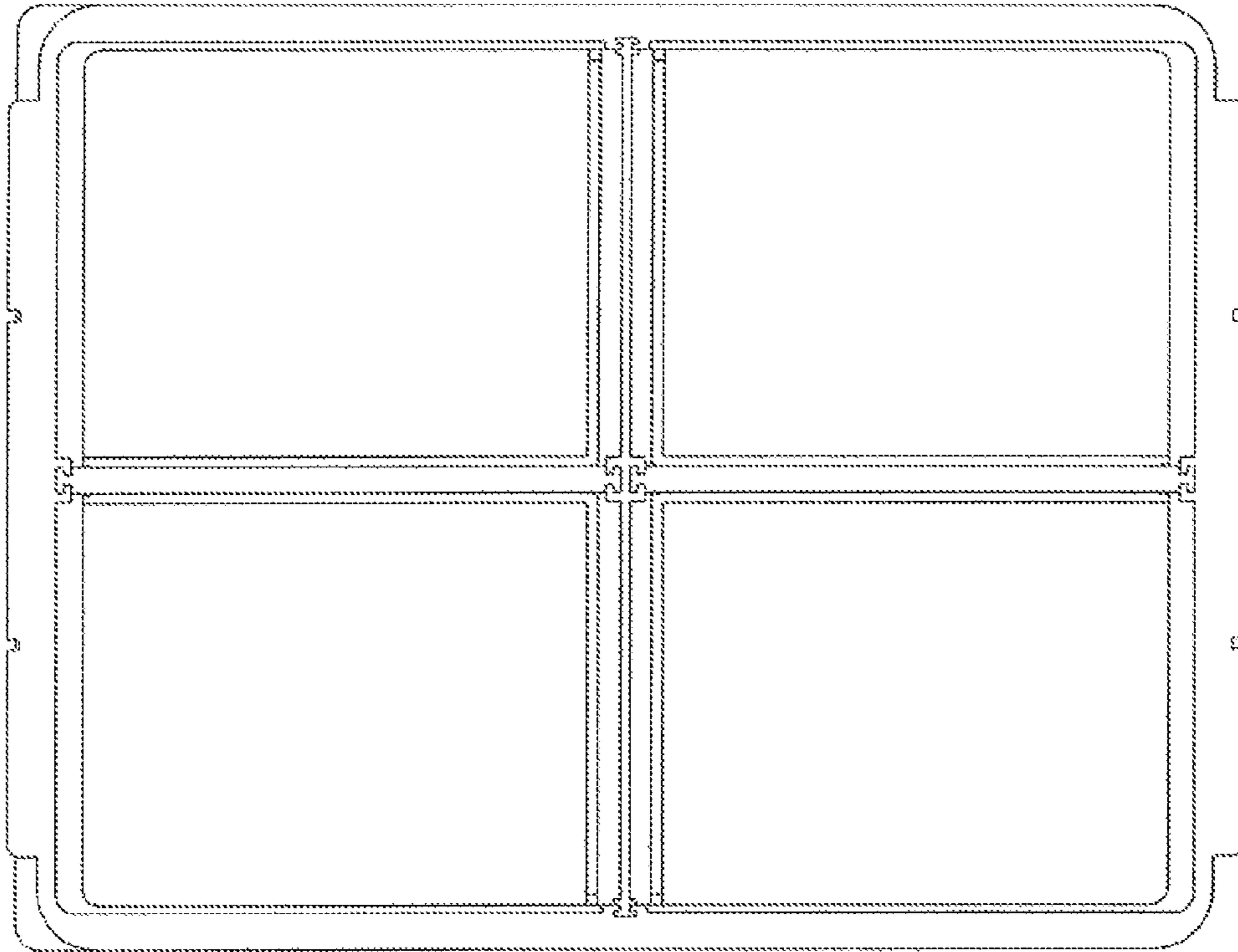


FIG. 3

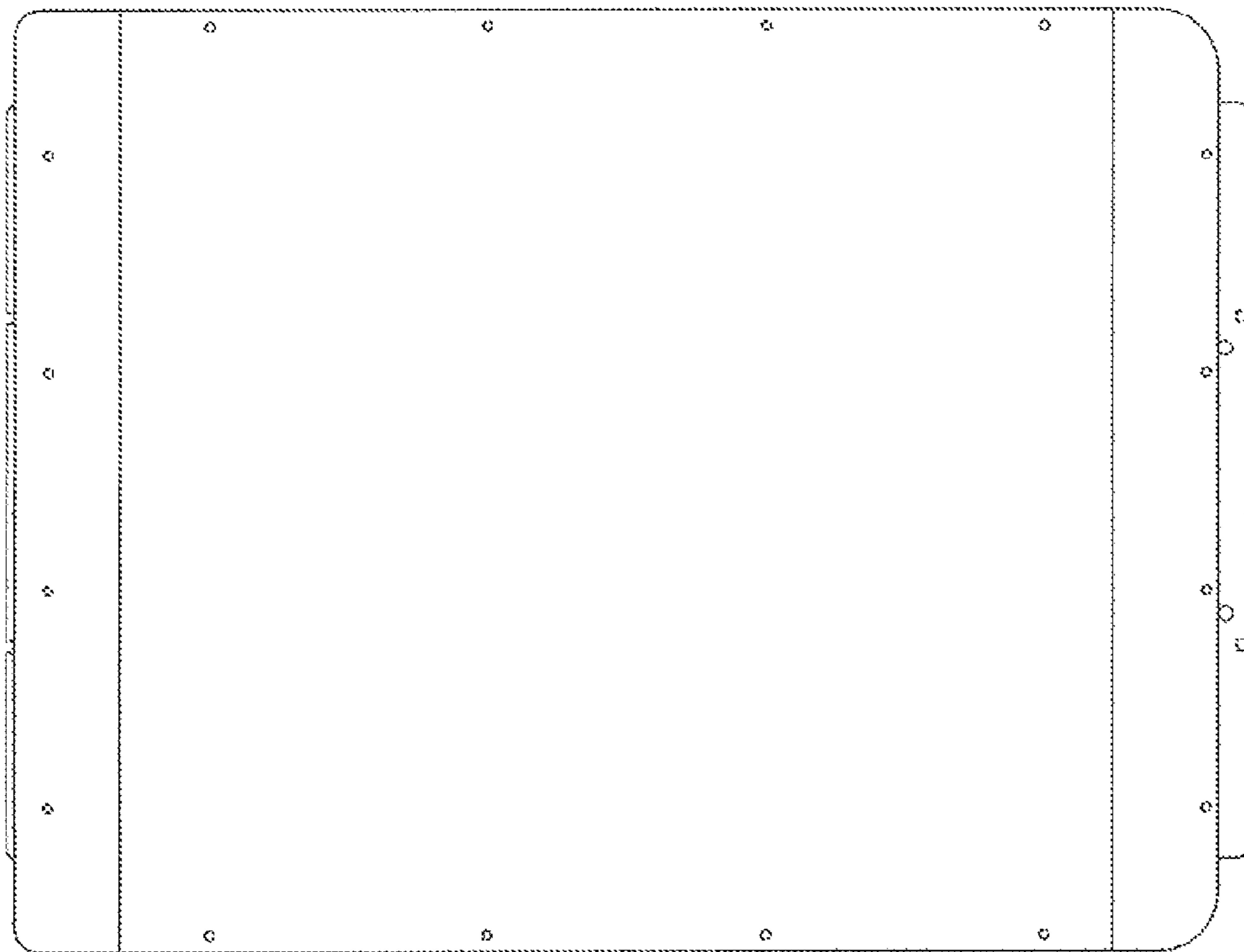


FIG. 2

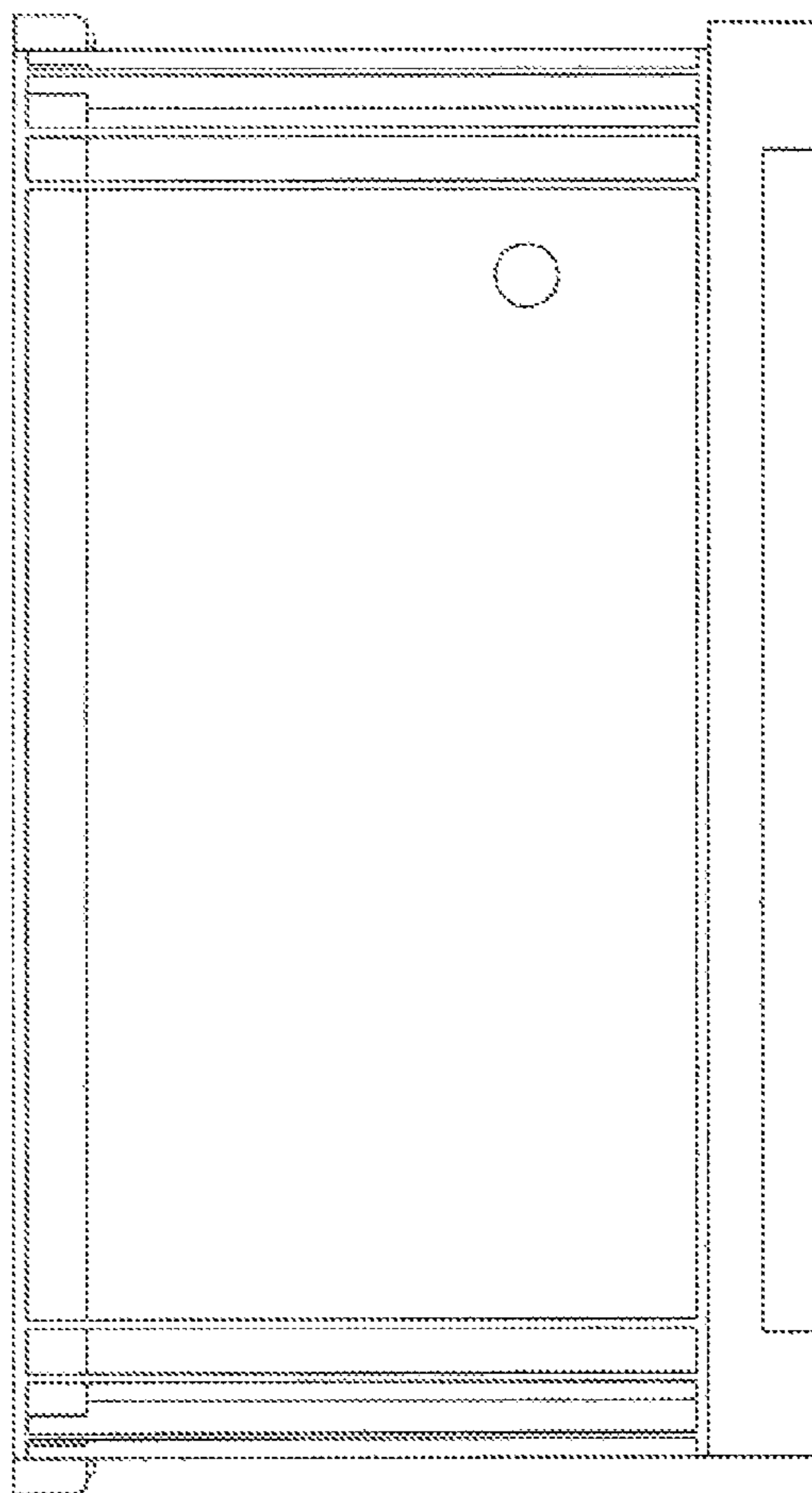


FIG. 5

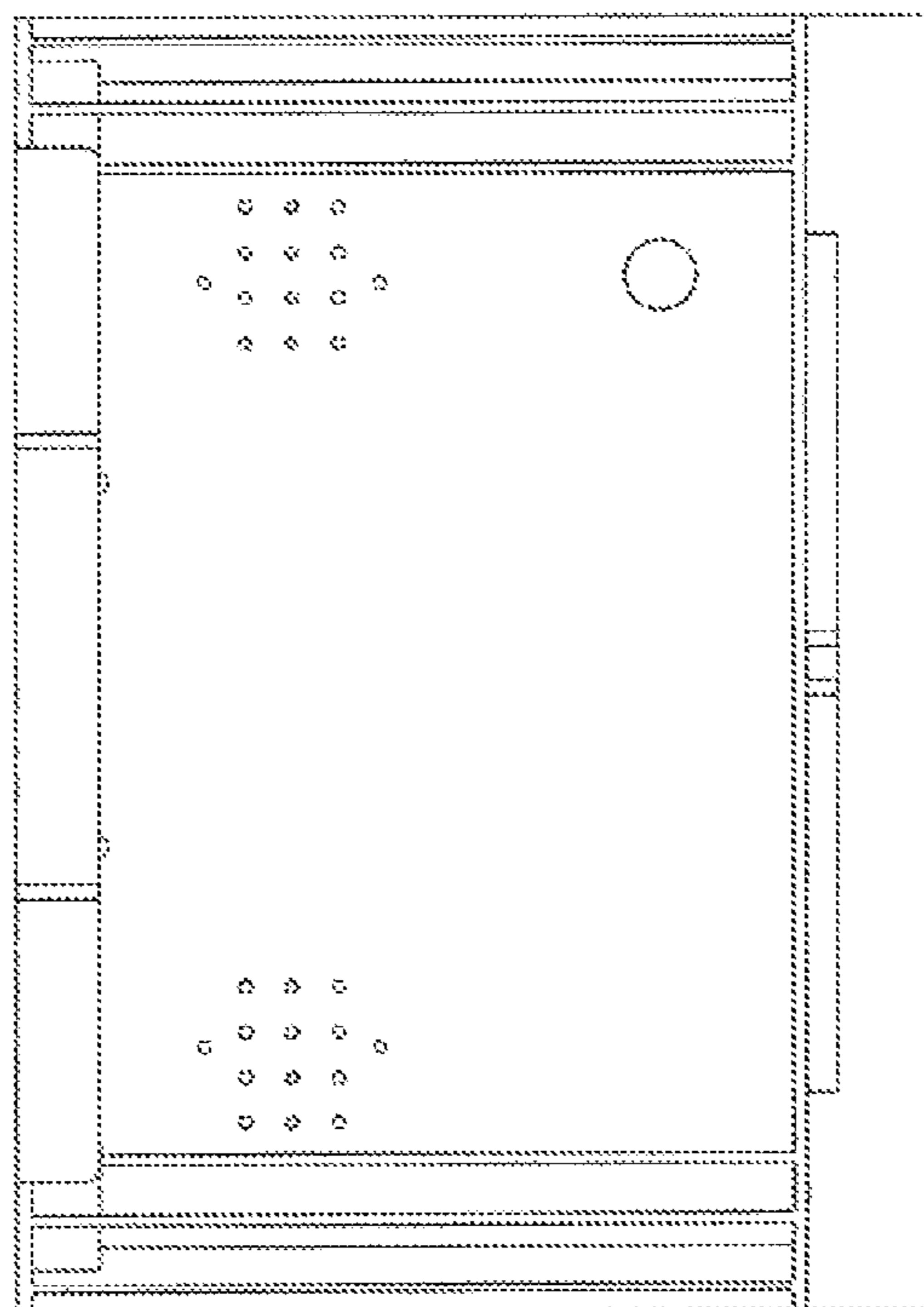


FIG. 4

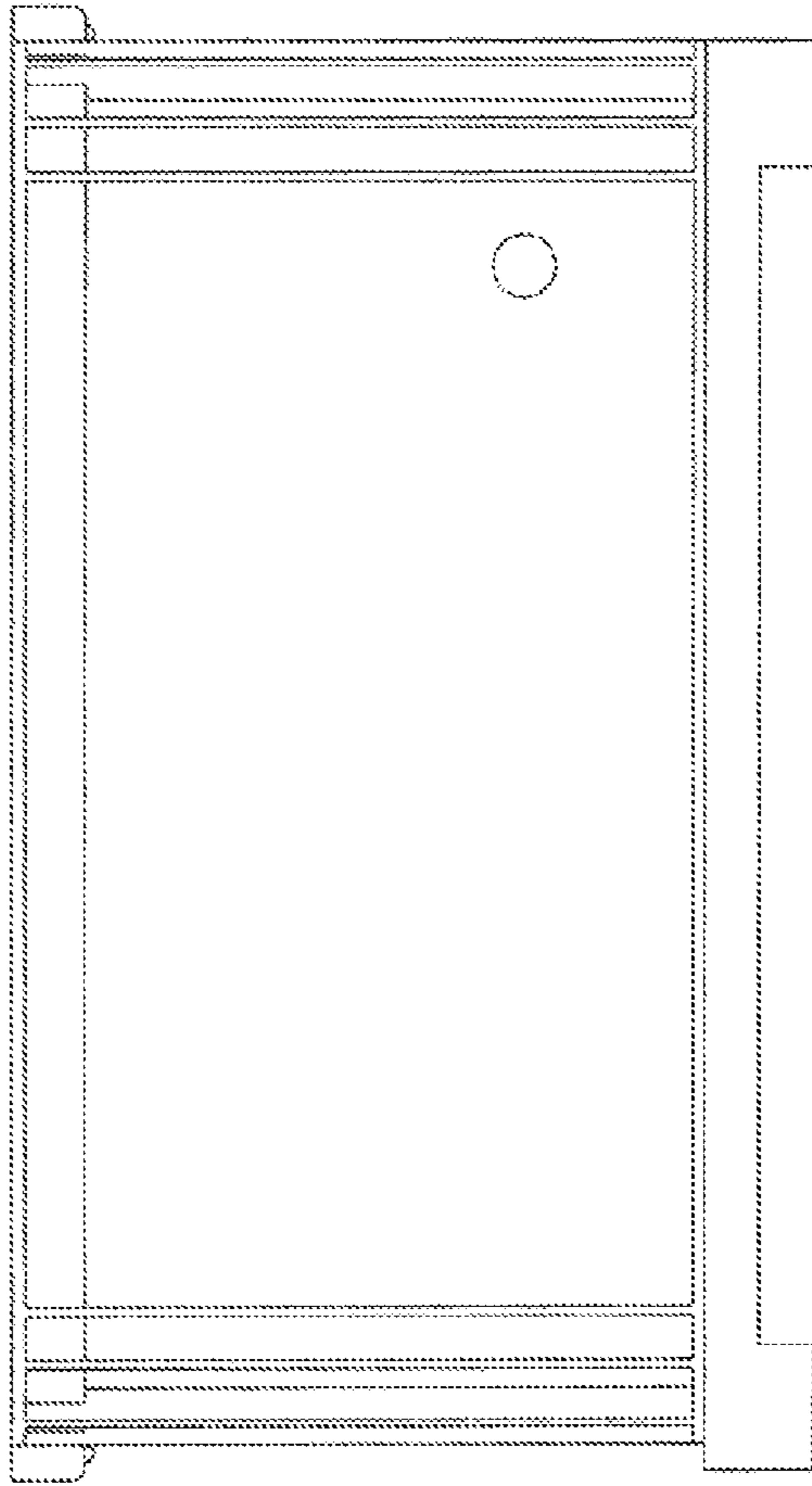


FIG. 7

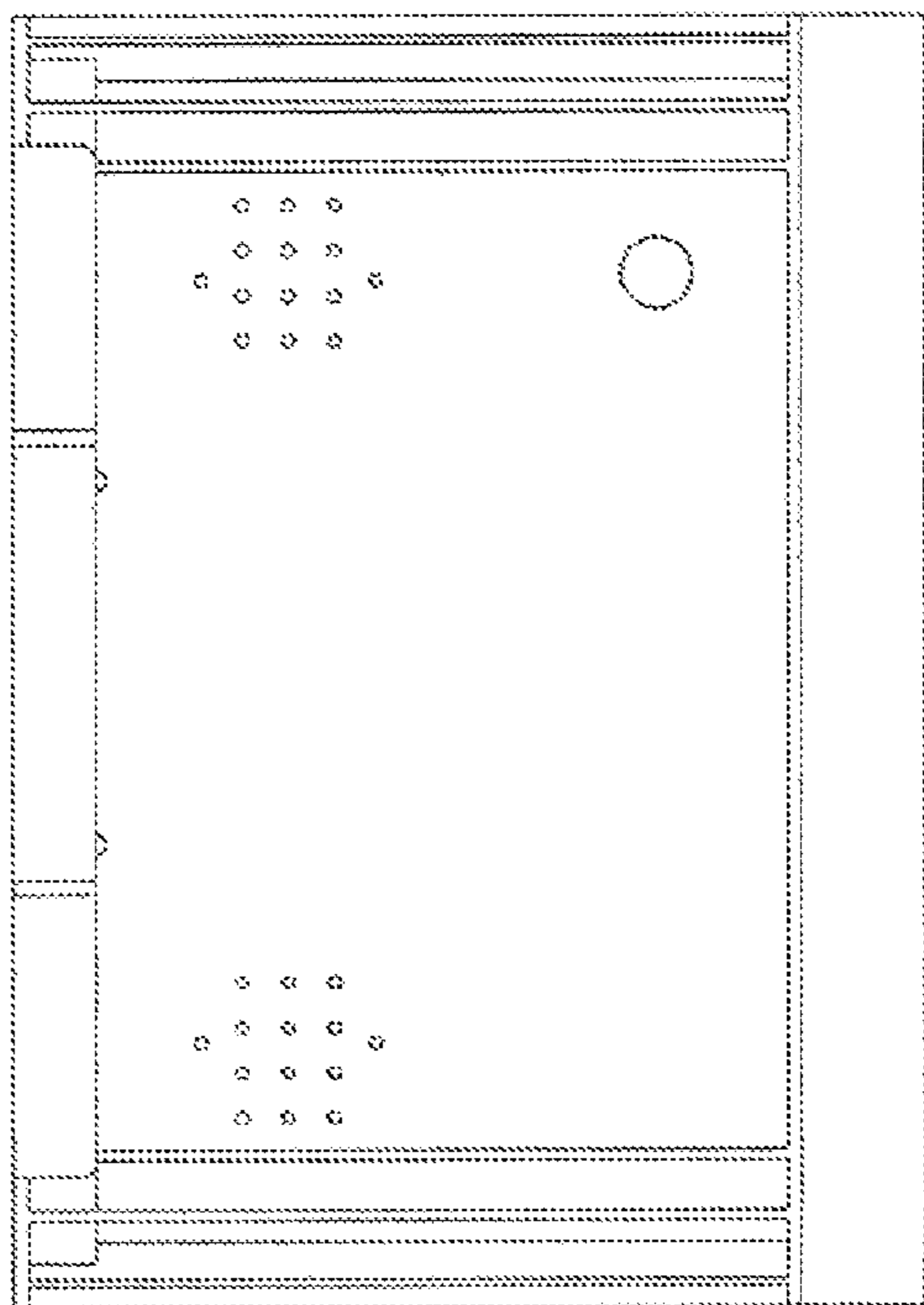


FIG. 6

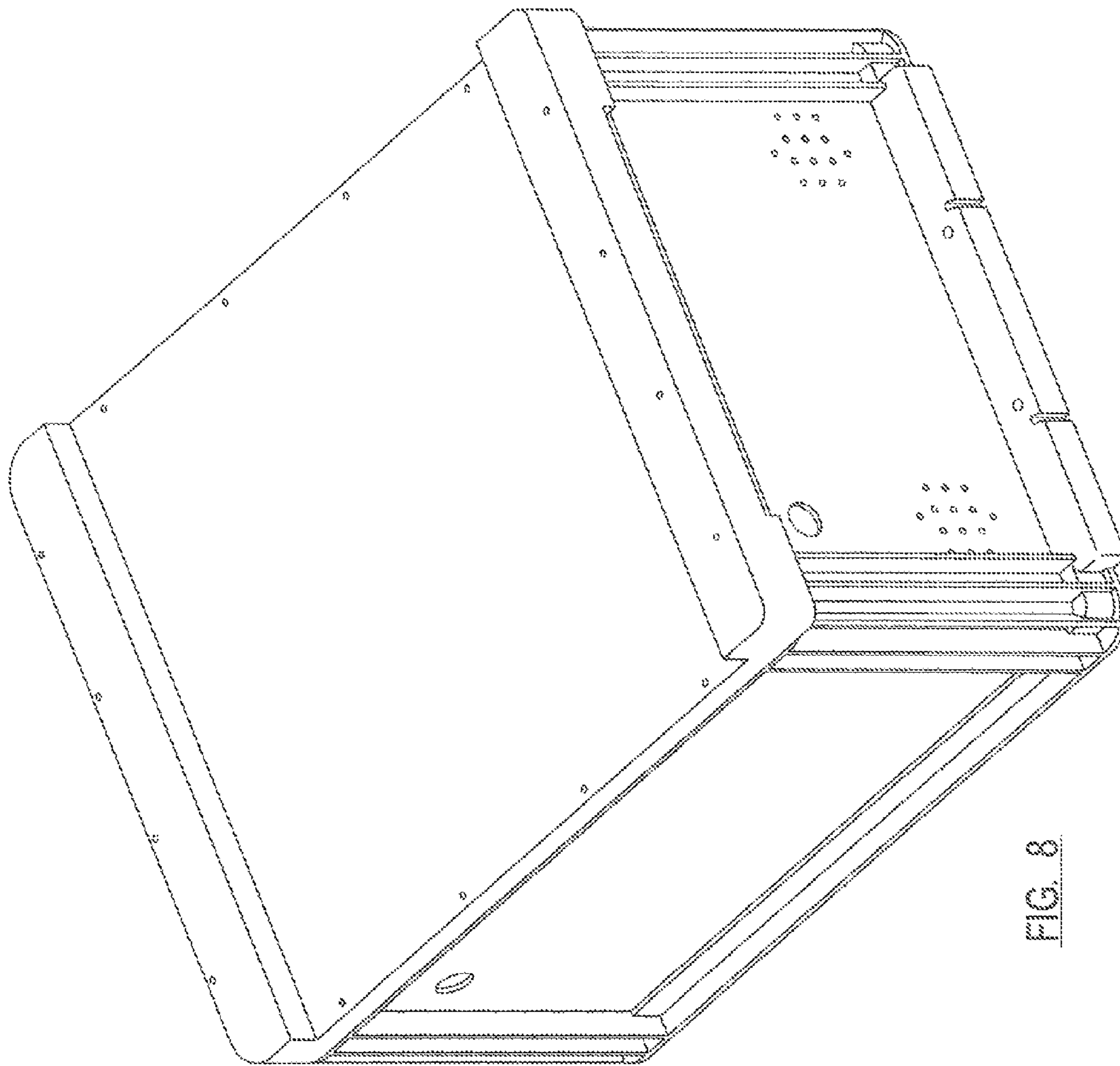


FIG. 8

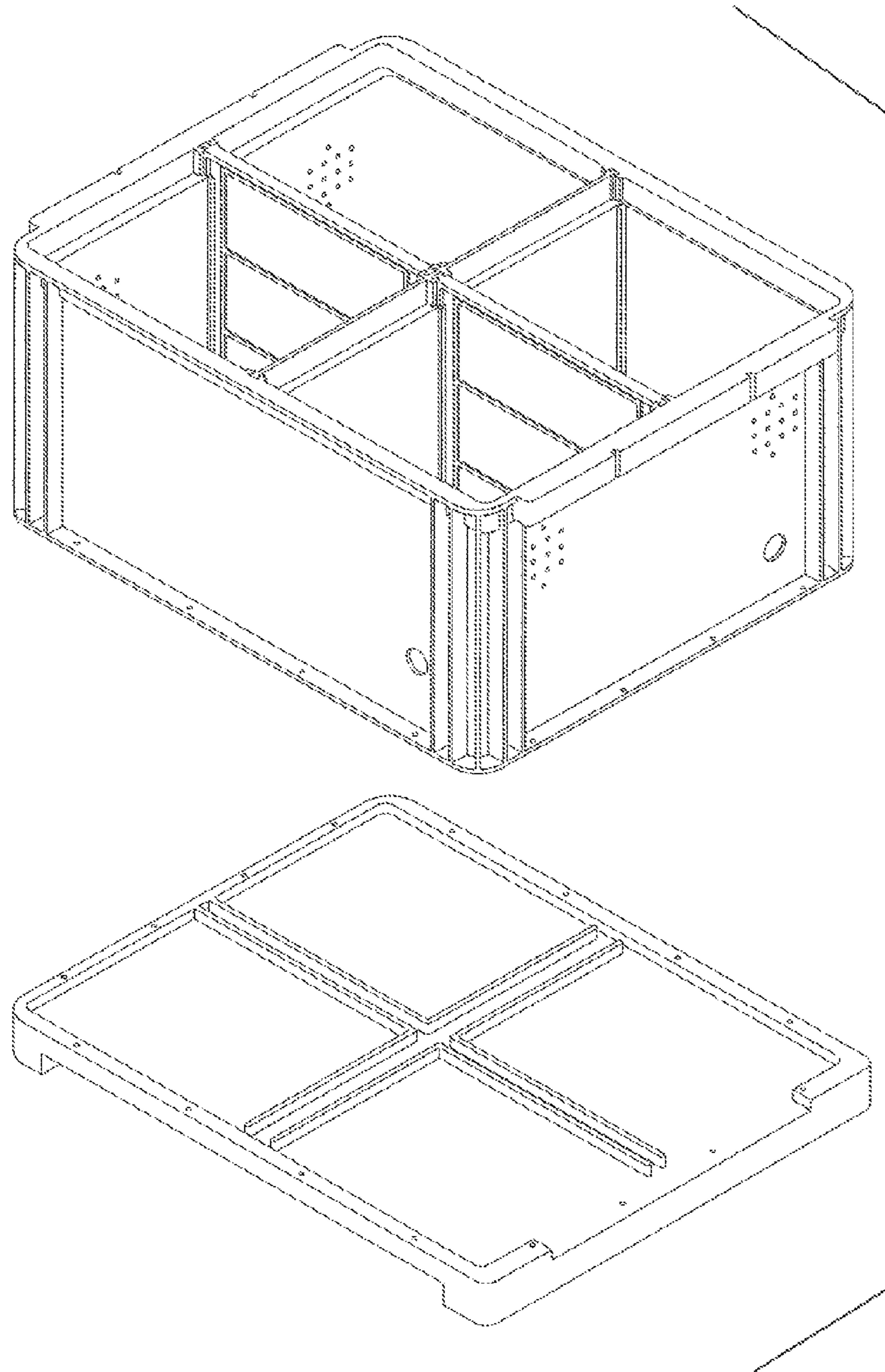


FIG. 9