



US00D634482S

(12) **United States Design Patent**  
**Sullivan**

(10) **Patent No.:** **US D634,482 S**  
(45) **Date of Patent:** **\*\* Mar. 15, 2011**

(54) **MODULAR BEEHIVE**

(76) Inventor: **Shad E. Sullivan**, Atwater, CA (US)

(\*\*) Term: **14 Years**

(21) Appl. No.: **29/366,067**

(22) Filed: **Jul. 19, 2010**

3,841 A	12/1844	Reynolds
19,931 A	4/1858	Kidder
66,977 A	7/1867	Leffingwell
67,123 A	7/1867	Kretchmer
70,782 A	11/1867	Beebe
71,381 A	11/1867	Gray
72,651 A	12/1867	Lower
72,808 A	12/1867	Courtney
82,757 A	10/1868	Shields
86,441 A	2/1869	Pearson
98,761 A	1/1870	Gould

(Continued)

**Related U.S. Application Data**

(63) Continuation-in-part of application No. 29/329,921, filed on Dec. 23, 2008, now Pat. No. Des. 629,163.

(51) **LOC (9) Cl.** ..... **30-02**

(52) **U.S. Cl.** ..... **D30/108; D30/199**

(58) **Field of Classification Search** ..... D30/199, D30/108-113, 117; 119/508, 500, 501, 498, 119/482, 161, 481, 483, 475, 484, 246, 165, 119/453, 452, 248, 269, 201, 502; 449/30, 449/1, 12, 2, 20, 25, 19, 27, 7, 28, 21, 8, 449/6, 23, 24, 26, 31, 13, 37, 60, 14, 11, 449/42-44; D3/304-316, 201, 273, 276, D3/283-286, 318, 319; 312/263; 43/54.1, 43/55, 56; 217/54, 43 R; 294/158; 428/118, 428/116, 698; 220/560, 216, 4.28, 786, 847, 220/675, 676, 1.5, 6, 4.29, DIG. 12-DIG. 15, 220/DIG. 2; 206/503, 203, 512, 509; 156/78, 156/89.27, 89.22; 521/131; 427/255.11, 427/255.12, 255.19, 900; D9/755, 781, 770; D7/550.1, 552.1, 553.1, 553.2, 553.7, 554.2-554.4, D7/561, 701; D6/525-540; D12/412, 414.1, D12/425; D19/75, 86, 90; 160/DIG. 7; 135/115, 135/119; 126/908

See application file for complete search history.

(56) **References Cited**

**U.S. PATENT DOCUMENTS**

2,988 A	3/1843	Rich
3,638 A	6/1844	Cutting

**OTHER PUBLICATIONS**

Printout from [http://honeymoonapiaries.com/web\\_beekeeping/sys/Report46.htm](http://honeymoonapiaries.com/web_beekeeping/sys/Report46.htm), retrieved Mar. 30, 2009.

(Continued)

*Primary Examiner* — Susan Moon Lee

(74) *Attorney, Agent, or Firm* — Marcus N. DiBuduo; Mark D. Miller

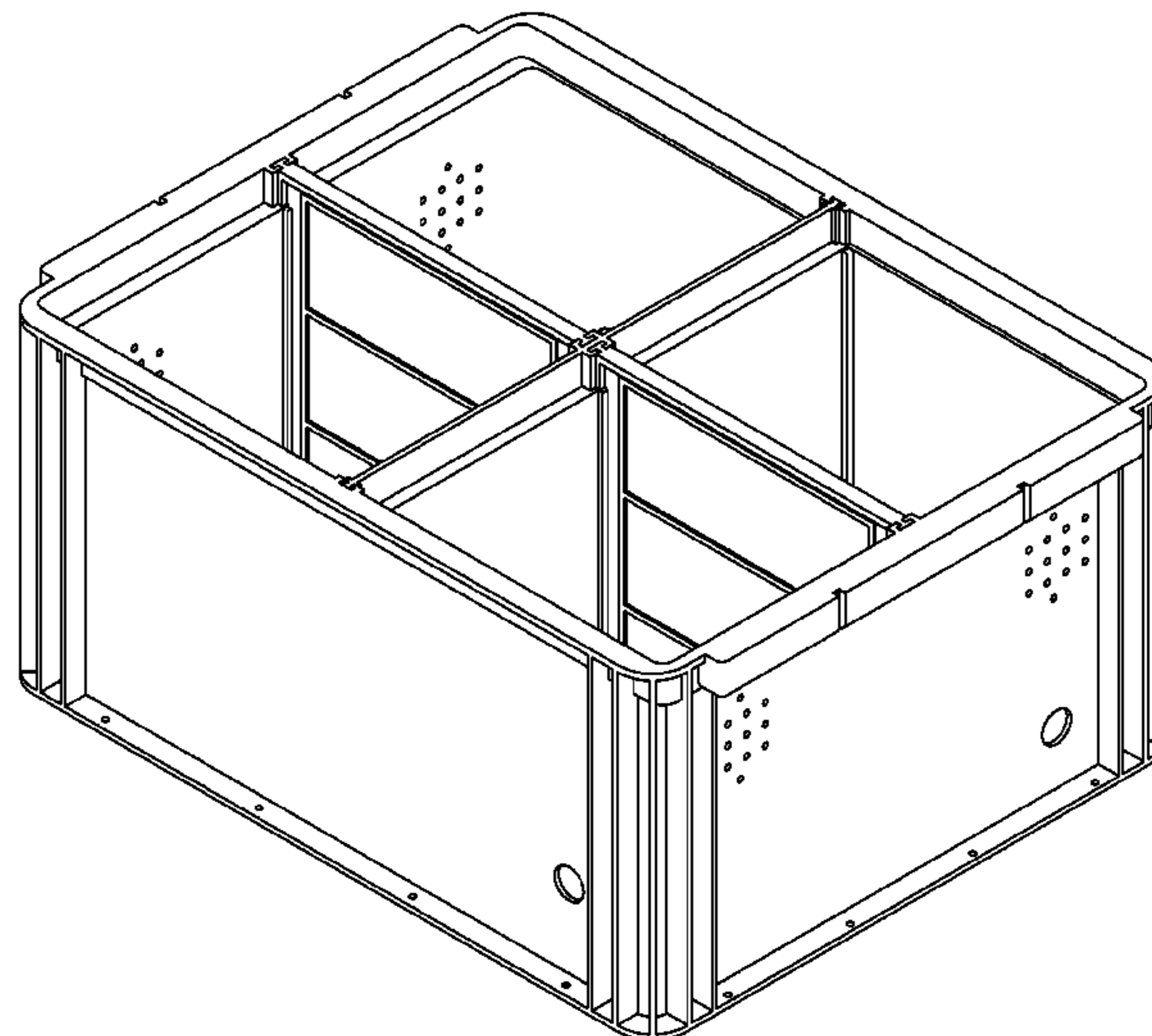
(57) **CLAIM**

I claim the ornamental design for a modular beehive, as shown.

**DESCRIPTION**

FIG. 1 is a front-top perspective view of my design.  
FIG. 2 is a bottom plan view of the embodiment of FIG. 1.  
FIG. 3 is a top plan view of the embodiment of FIG. 1.  
FIG. 4 is a front elevational view of the embodiment of FIG. 1.  
FIG. 5 is a right side elevational view of the embodiment of FIG. 1.  
FIG. 6 is a rear elevational view of the embodiment of FIG. 1.  
FIG. 7 is a left side elevational view of the embodiment of FIG. 1; and,  
FIG. 8 is a front-bottom perspective view of the embodiment of FIG. 1.

**1 Claim, 5 Drawing Sheets**



U.S. PATENT DOCUMENTS

107,792 A 7/1870 Leffel et al.  
 109,201 A 11/1870 Goodwin  
 109,888 A 12/1870 Gladding  
 121,837 A 12/1871 Armstrong  
 122,279 A 12/1871 Proctor  
 123,654 A 2/1872 White  
 124,962 A 3/1872 King  
 128,619 A 7/1872 Hart  
 131,168 A 9/1872 King  
 131,610 A 9/1872 Grabbe  
 145,324 A 12/1873 Adams  
 178,614 A 6/1876 Elliott et al.  
 182,338 A 9/1876 Walthali  
 184,778 A 11/1876 Hatfield  
 196,060 A 10/1877 Train  
 199,328 A 1/1878 Strawser  
 252,134 A 1/1882 Overbey  
 281,483 A 7/1883 French  
 327,268 A 9/1885 Heddon  
 330,353 A 11/1885 Stover  
 383,737 A 5/1888 Laser  
 400,517 A 4/1889 Tinker et al.  
 402,002 A 4/1889 Danzenbaker  
 0,424,844 A 1/1890 Baird  
 0,468,783 A 2/1892 Brewer  
 0,489,696 A 1/1893 Steward  
 0,846,517 A 3/1907 Spierling  
 1,048,950 A 12/1912 Danzenbaker  
 1,068,196 A 7/1913 Wood  
 1,203,675 A 11/1916 Wood  
 1,270,507 A 6/1918 Fleming  
 1,387,734 A 8/1921 Nitsch et al.  
 1,441,524 A 1/1923 Platten  
 1,468,995 A \* 9/1923 Cottam ..... 449/25  
 1,523,318 A 1/1925 Utton  
 1,659,640 A 4/1927 Smith  
 1,857,709 A 5/1932 Benton  
 1,893,431 A \* 1/1933 Meier ..... 449/30  
 1,911,466 A 5/1933 Powell  
 2,081,084 A 5/1937 Bohnet  
 2,596,995 A 5/1947 Hamilton  
 2,552,511 A 5/1950 Hageman  
 2,522,511 A \* 9/1950 Hageman ..... 449/10  
 2,599,141 A \* 6/1952 Taylor ..... 449/12  
 2,634,020 A \* 4/1953 Bartholomew ..... 220/675  
 2,709,820 A 6/1955 Wahl  
 3,002,650 A \* 10/1961 Lovell ..... 206/509  
 3,110,044 A \* 11/1963 Dullas ..... 449/30  
 3,410,441 A \* 11/1968 Rhyne ..... 220/4.28  
 3,438,070 A \* 4/1969 Florance ..... 449/2  
 D242,600 S \* 12/1976 Box ..... D3/311  
 4,007,504 A 2/1977 West

4,199,832 A \* 4/1980 Glasscock et al. .... 449/30  
 D257,995 S \* 1/1981 Mikkelsen et al. .... D3/302  
 D275,903 S \* 10/1984 Vasilash ..... D3/314  
 4,497,079 A 2/1985 Kettl  
 4,524,476 A \* 6/1985 Adams, IV ..... 449/27  
 4,674,647 A \* 6/1987 Gyenge et al. .... 220/6  
 4,736,479 A 4/1988 Lagerman  
 4,981,458 A 1/1991 Johnston  
 5,035,668 A 7/1991 Ungar  
 D330,813 S \* 11/1992 Spitzer et al. .... D6/432  
 5,509,846 A \* 4/1996 Kueneman et al. .... 449/11  
 D373,022 S \* 8/1996 Sagol ..... D3/279  
 5,741,170 A 4/1998 Orletsky et al.  
 5,895,310 A 4/1999 Otomo et al.  
 5,913,580 A \* 6/1999 Liu ..... 312/108  
 D448,568 S \* 10/2001 Sadr ..... D3/314  
 6,450,858 B1 9/2002 Schmitz  
 6,474,759 B2 \* 11/2002 Hsu ..... 312/263  
 7,011,224 B2 \* 3/2006 Sheng-Bin ..... 220/6  
 D518,708 S \* 4/2006 Ohayon ..... D3/298  
 D519,734 S \* 5/2006 Richardson et al. .... D3/294  
 7,131,224 B1 \* 11/2006 Elliott et al. .... 40/312  
 D563,692 S \* 3/2008 DeCarlo et al. .... D6/448  
 7,387,350 B2 \* 6/2008 Killinger et al. .... 312/290  
 D583,172 S \* 12/2008 Cassel ..... D6/510  
 7,481,183 B2 \* 1/2009 Van Heygen ..... 119/246  
 D596,857 S \* 7/2009 Ahlgrim et al. .... D3/307  
 7,686,672 B2 \* 3/2010 Katsampis ..... 449/6  
 D621,227 S \* 8/2010 Connor ..... D7/637  
 2005/0023175 A1 \* 2/2005 Freelander ..... 206/512  
 2005/0029260 A1 \* 2/2005 Sheng-Bin ..... 220/9.1

OTHER PUBLICATIONS

Printout from [http://honeymoonapiaries.com/web\\_beekeeping/sys/Report32.htm](http://honeymoonapiaries.com/web_beekeeping/sys/Report32.htm), retrieved Mar. 30, 2009.  
 Printout from [http://honeymoonapiaries.com/web\\_beekeeping/sys/Report20.htm](http://honeymoonapiaries.com/web_beekeeping/sys/Report20.htm), retrieved Mar. 30, 2009.  
 Printout from [http://honeymoonapiaries.com/web\\_beekeeping/sys/Report13.htm](http://honeymoonapiaries.com/web_beekeeping/sys/Report13.htm), retrieved Mar. 30, 2009.  
 Printout from [http://honeymoonapiaries.com/web\\_beekeeping/sys/Report34.htm](http://honeymoonapiaries.com/web_beekeeping/sys/Report34.htm), retrieved Mar. 30, 2009.  
 Mann Lake Ltd. Online Catalog (2009), web site: [www.mannlakeltd.com/ProductDetail.asp?idproduct=IN-150](http://www.mannlakeltd.com/ProductDetail.asp?idproduct=IN-150).  
 Bindaree Bee Supplies Online (2001), web site: [www.bindaree.com.au/pricelists/products/plastic\\_hive.htm](http://www.bindaree.com.au/pricelists/products/plastic_hive.htm).  
 Mother Lode Products. 2009 North American Beekeeping Conference (Jan. 2009), web site: <http://www.abfnet.org/files/guide%2009%20pg%2036-48%20web.pdf>.  
 Bees Forever Plastics, American Bee Journal (Jan., 2009), p. 54.

\* cited by examiner



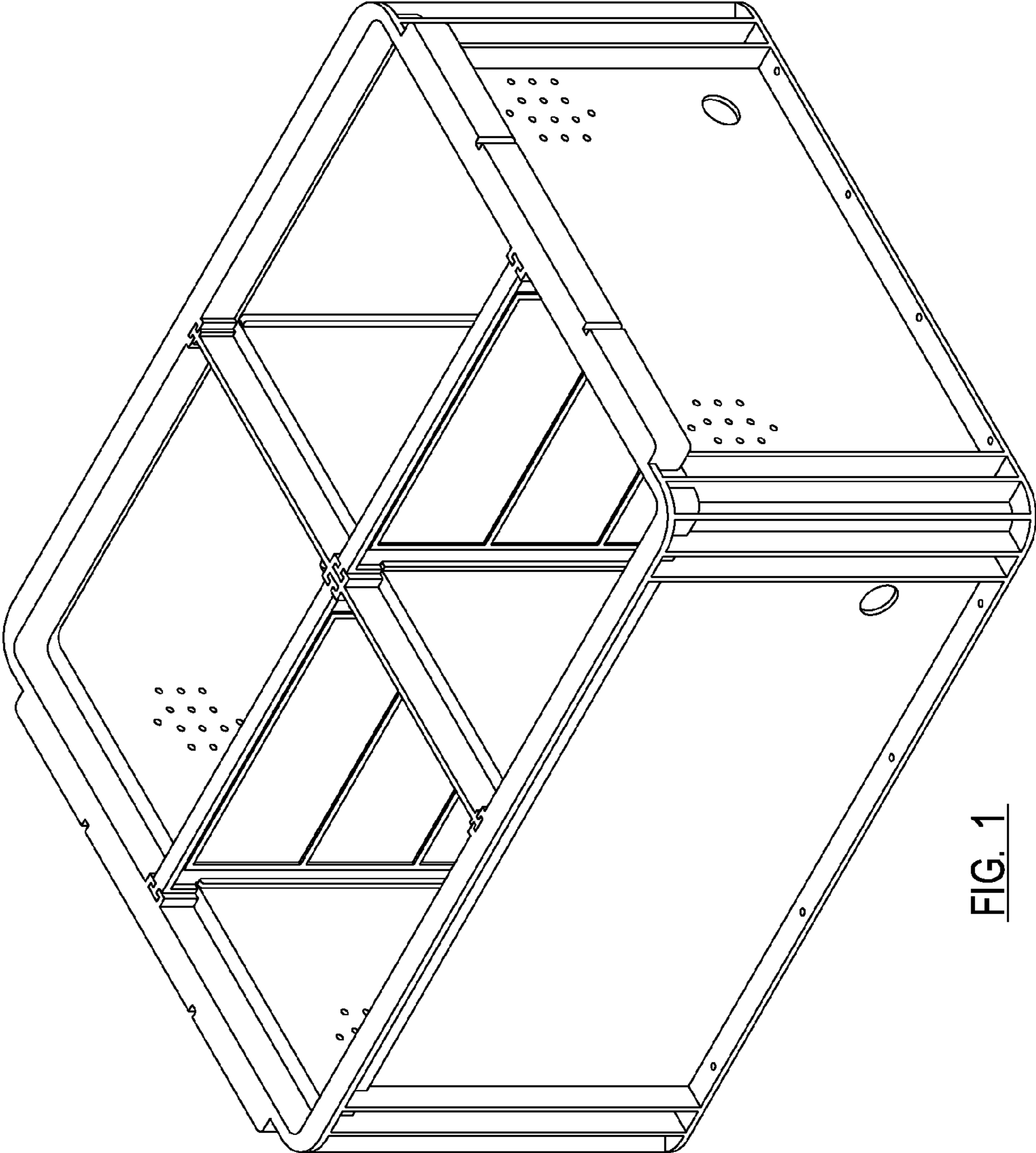


FIG. 1

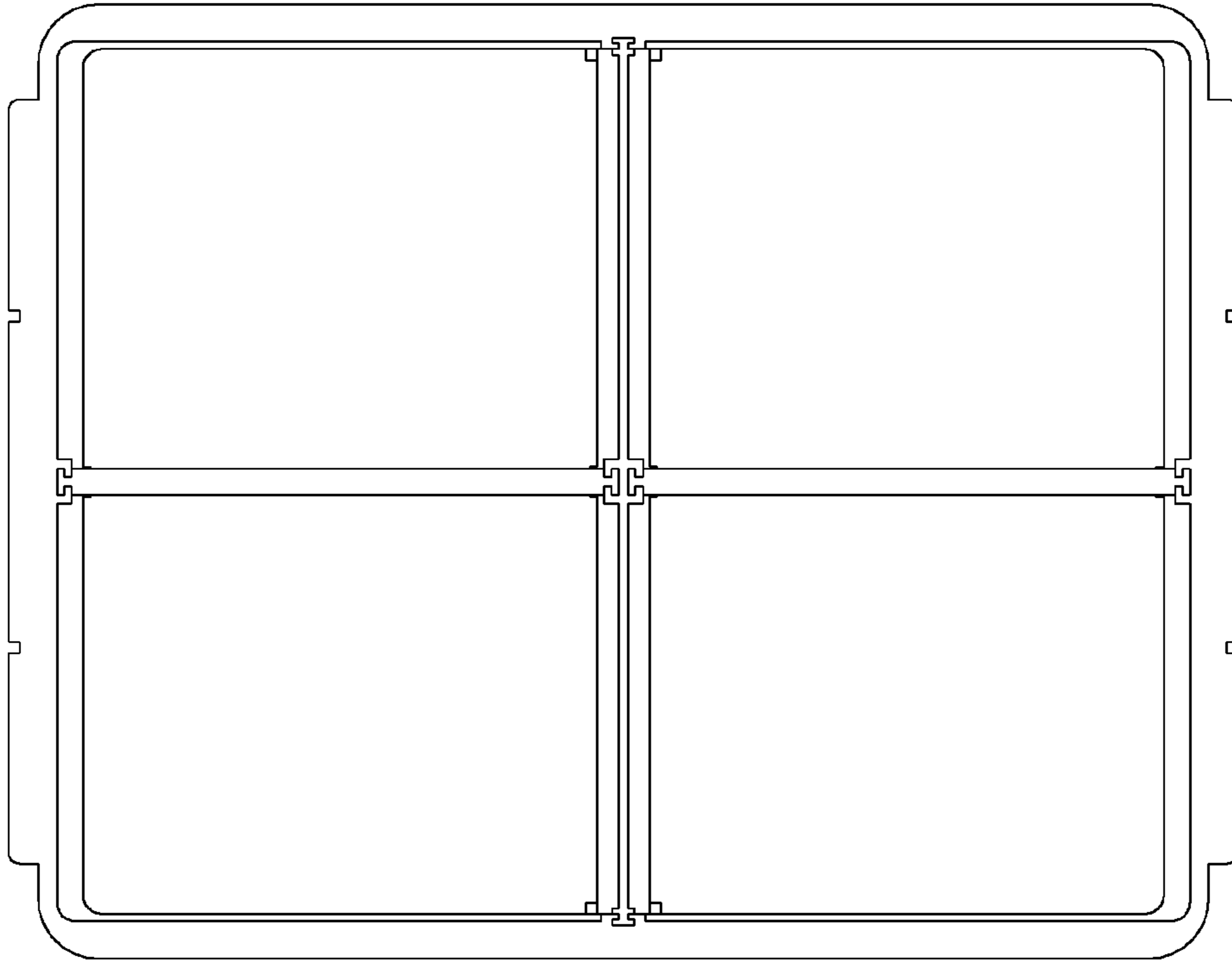


FIG. 3

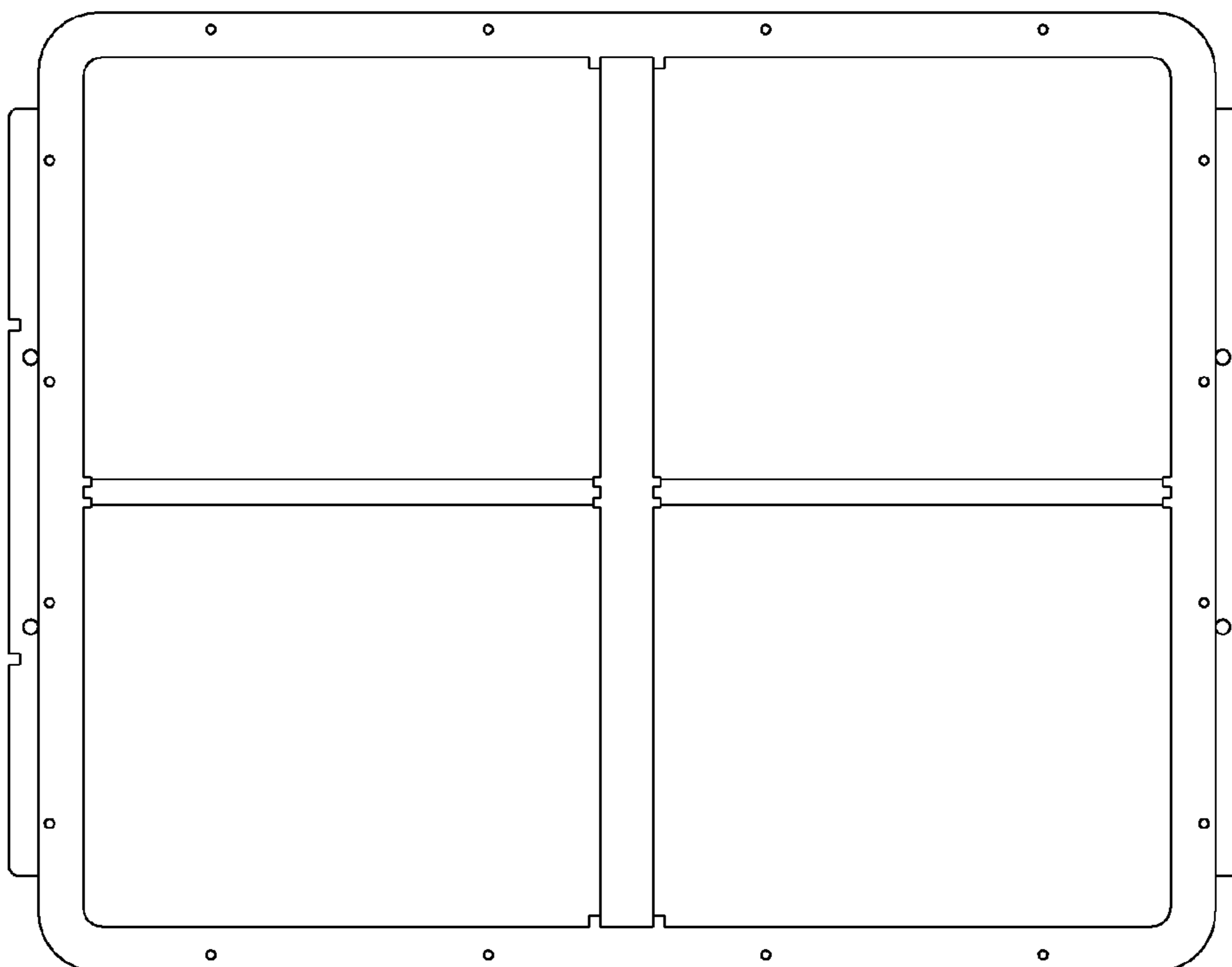


FIG. 2

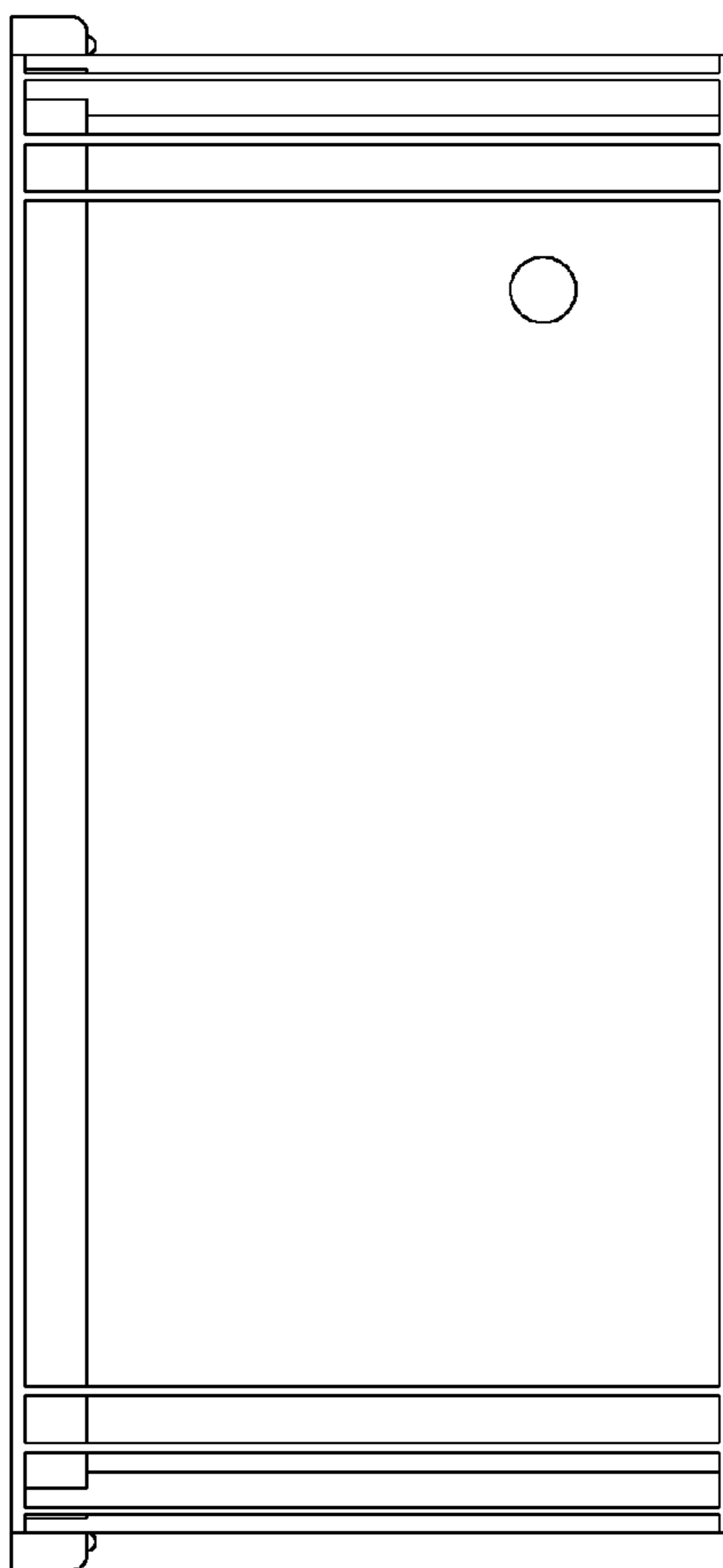


FIG. 5

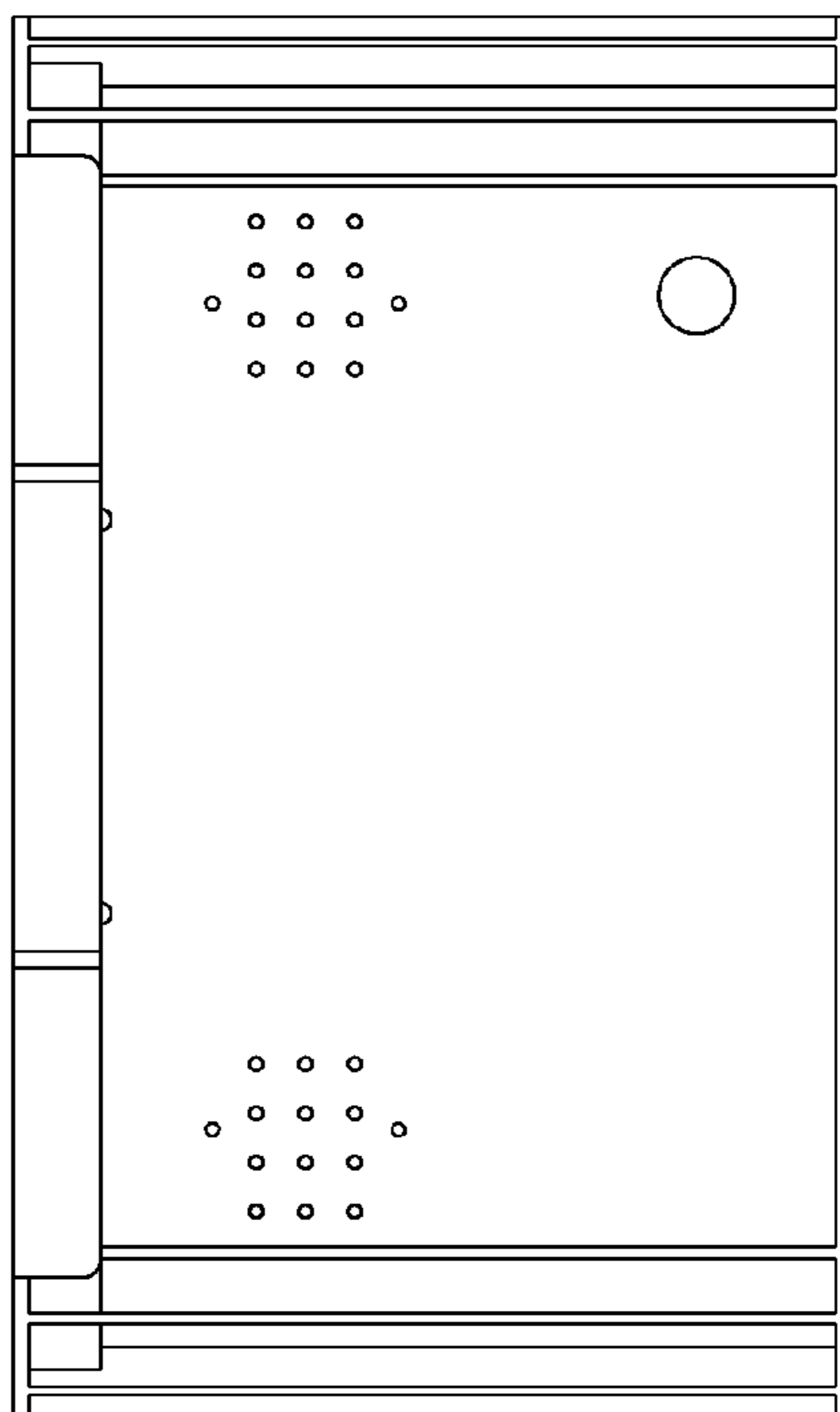


FIG. 4

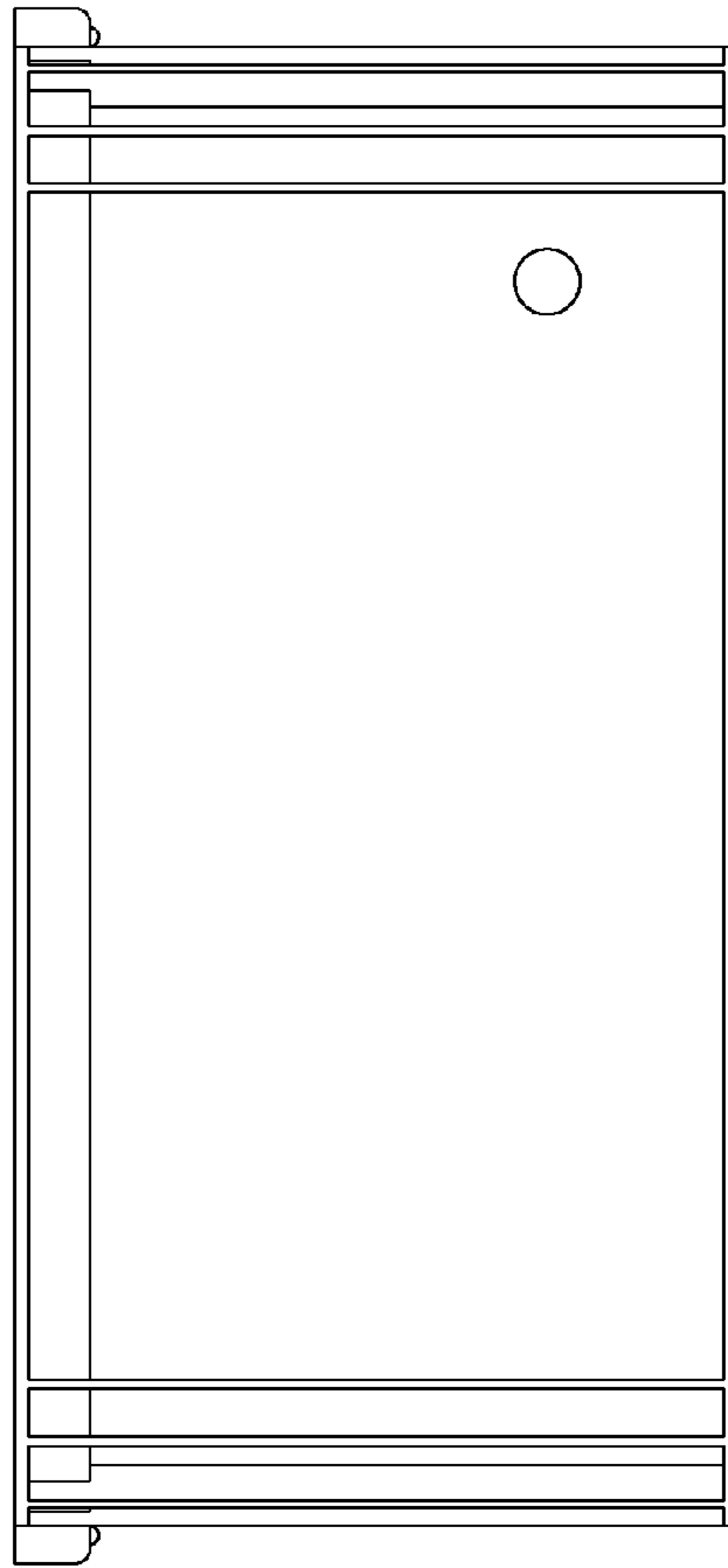


FIG. 7

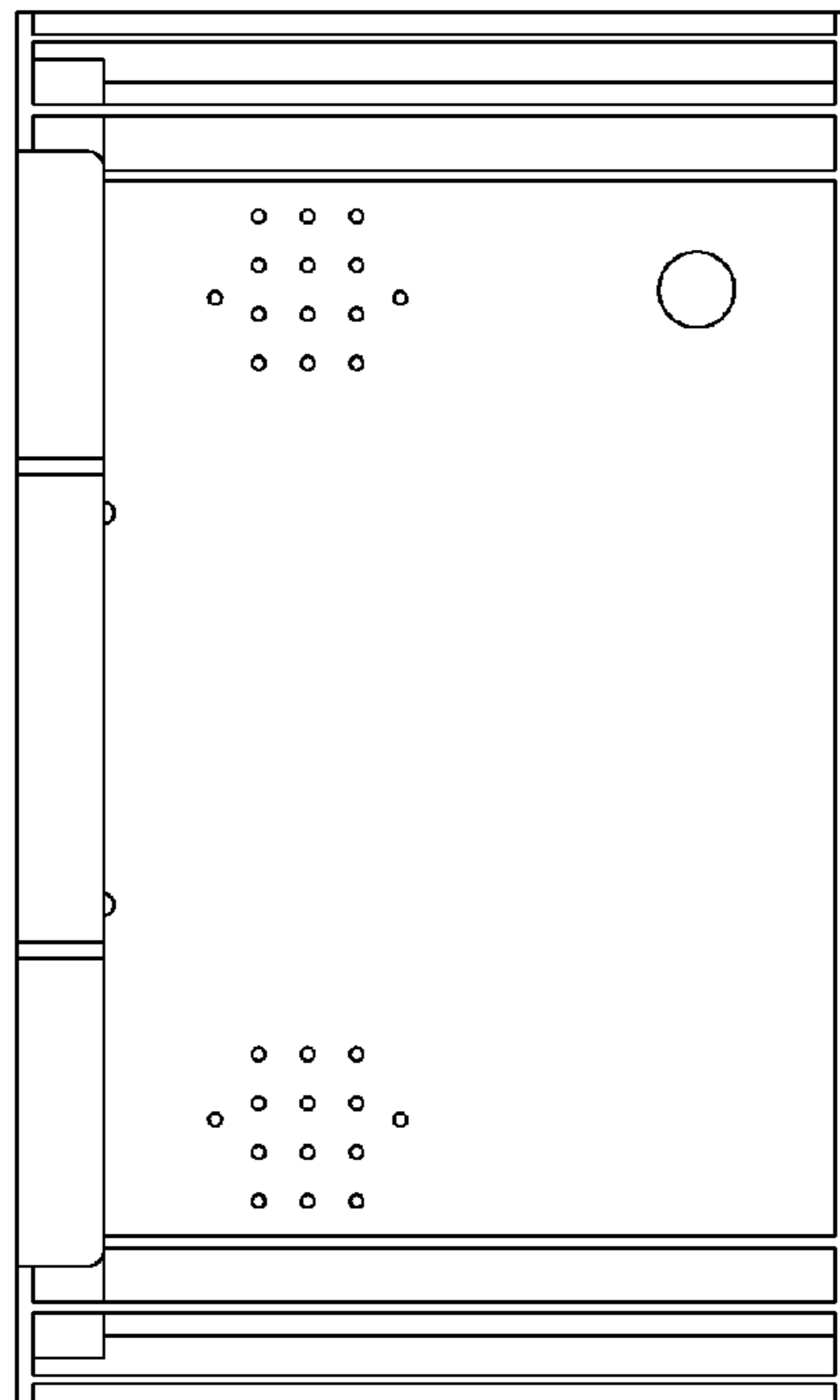


FIG. 6

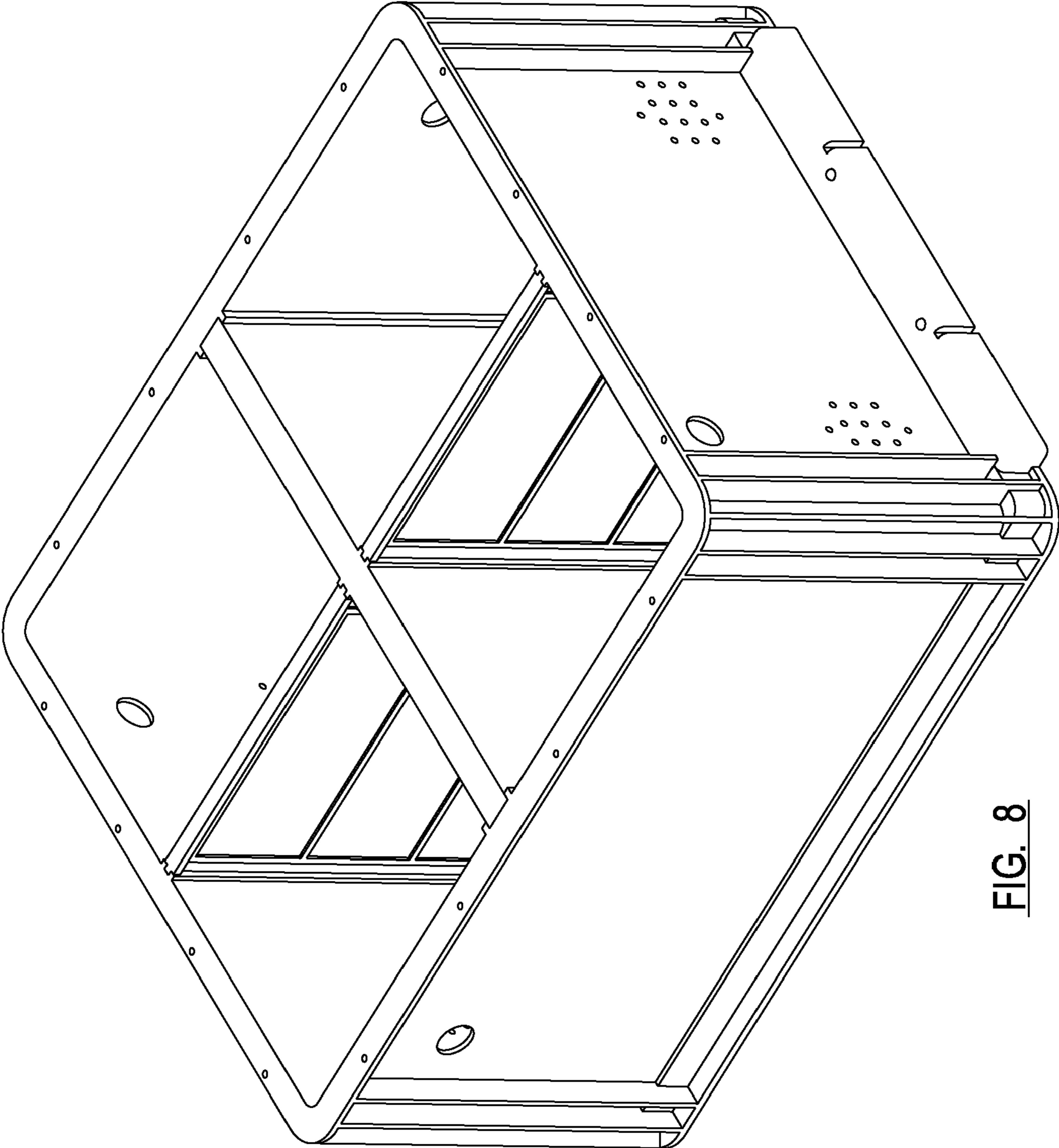


FIG. 8